



US00D848059S

(12) **United States Design Patent** (10) **Patent No.:** **US D848,059 S**
Vennemeyer et al. (45) **Date of Patent:** **** May 7, 2019**

(54) **COSMETIC APPLICATOR**

(71) Applicant: **The Procter & Gamble Company,**
Cincinnati, OH (US)

(72) Inventors: **Marilyn Anne Vennemeyer,** Cincinnati,
OH (US); **James Douglas Still,** Cleves,
OH (US); **William Dale Murdock,**
Cheviot, OH (US); **Mikah Coffindaffer,**
Mason, OH (US); **Kendrick Jon**
Hughes, Cincinnati, OH (US)

(73) Assignee: **The Procter and Gamble Company,**
Cincinnati, OH (US)

(**) Term: **15 Years**

(21) Appl. No.: **29/567,379**

(22) Filed: **Jun. 8, 2016**

(51) **LOC (11) Cl.** **28-03**

(52) **U.S. Cl.**
USPC **D28/7; D28/82**

(58) **Field of Classification Search**
USPC D28/4, 7, 35, 78, 82, 83, 81, 77, 79, 84,
D28/76, 64.1, 64.3; D9/503-505, 655,
D9/661, 662, 663; D3/275, 901, 205,
D3/274
CPC A45D 40/00; A45D 40/22; A45D 40/221;
A45D 40/222; A45D 40/24; A45D
2040/223-2040/228; A45D 33/00; A45D
33/03; A45D 33/006; A45D 33/008;
A45D 33/22; A45D 42/02; A45D
2040/0012; A45D 19/0008; A45D 19/02
See application file for complete search history.

(56) **References Cited**

U.S. PATENT DOCUMENTS

D122,007 S * 8/1940 Botham D28/77
D286,331 S * 10/1986 Scoccola D28/78

D309,358 S * 7/1990 Machelett D28/78
D424,751 S * 5/2000 Kudo D28/78
D444,266 S * 6/2001 Hirata D28/35
D455,235 S * 4/2002 Braaten D28/78
D456,942 S * 5/2002 Au D28/20
D459,025 S * 6/2002 Seiffert D28/20
D484,278 S * 12/2003 Prince D28/64.1
D496,495 S * 9/2004 Jeffers D28/73
D502,569 S * 3/2005 Longoria D28/20
D503,831 S * 4/2005 Ames D28/78
D523,750 S * 6/2006 Lee D28/82
D536,828 S * 2/2007 Chin D28/35
D544,342 S * 6/2007 Liebe D28/78
D551,804 S * 9/2007 Allen D28/78
D553,798 S * 10/2007 Goswell D28/83

(Continued)

Primary Examiner — Jennifer Rivard

Assistant Examiner — April Rivas

(74) *Attorney, Agent, or Firm* — Linda M. Sivik

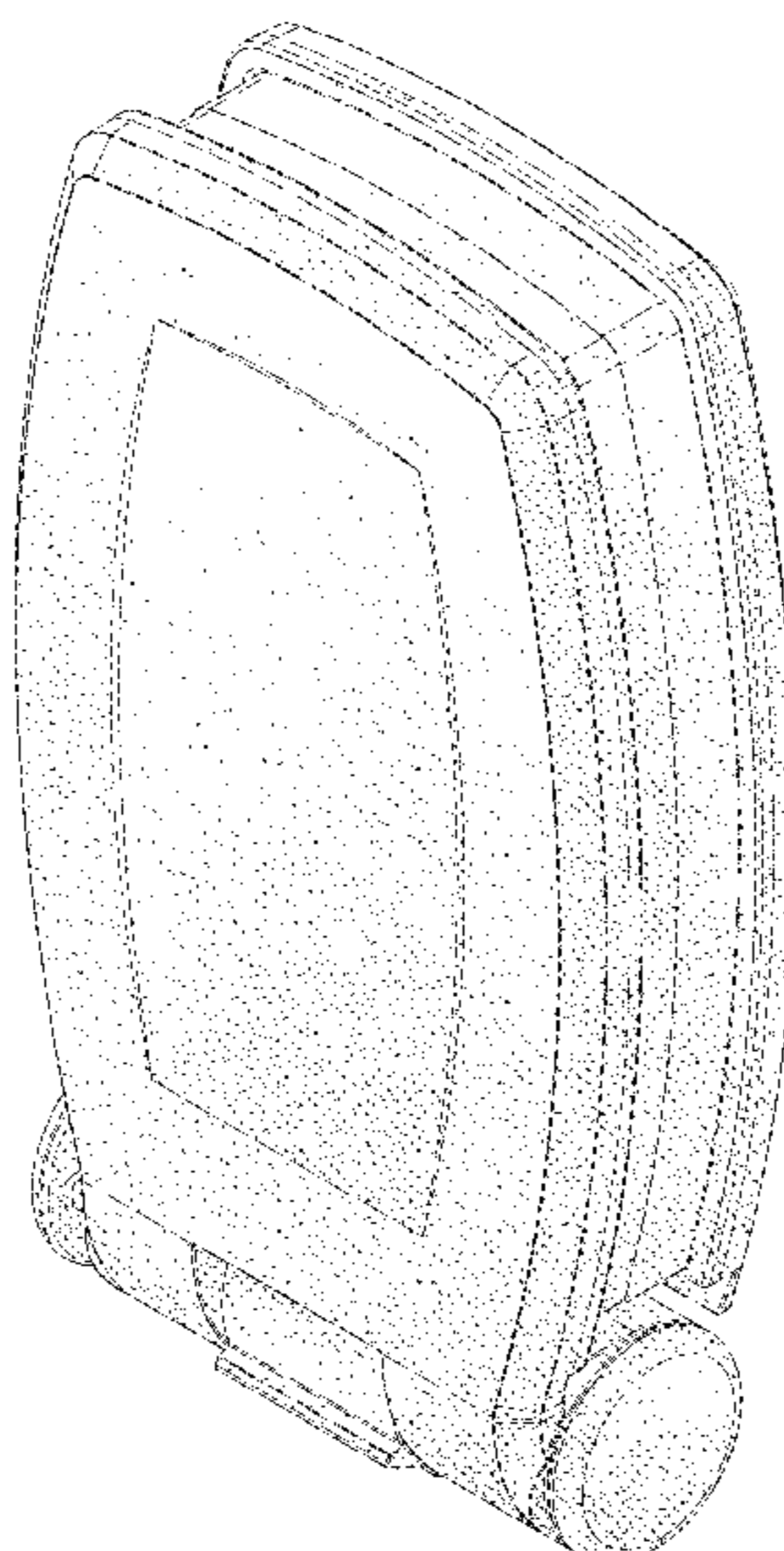
(57) **CLAIM**

The ornamental design for a cosmetic applicator, as shown and described.

DESCRIPTION

FIG. 1 is a perspective view of a cosmetic applicator, embodying our new design;
FIG. 2 is a bottom view of the cosmetic applicator of FIG. 1;
FIG. 3 is a first side view of the cosmetic applicator of FIG. 1;
FIG. 4 is a top view of the cosmetic applicator of FIG. 1;
FIG. 5 is a second side view of the cosmetic applicator of FIG. 1;
FIG. 6 is a back view of the cosmetic applicator of FIG. 1; and,
FIG. 7 is a front view of the cosmetic applicator of FIG. 1. The broken lines illustrate portions of the cosmetic applicator and form no part of the claimed design.

1 Claim, 3 Drawing Sheets



(56)

References Cited

U.S. PATENT DOCUMENTS

D573,799	S	*	7/2008	Pitot	D6/308
D599,958	S	*	9/2009	Washington	D28/82
D609,009	S	*	2/2010	Schaal	D3/294
D740,692	S	*	10/2015	Christie	D9/748
2003/0010351	A1	*	1/2003	de Laforcade	A45D 40/24 132/294
2015/0296953	A1	*	10/2015	Murdock	A45D 19/00 132/203

* cited by examiner

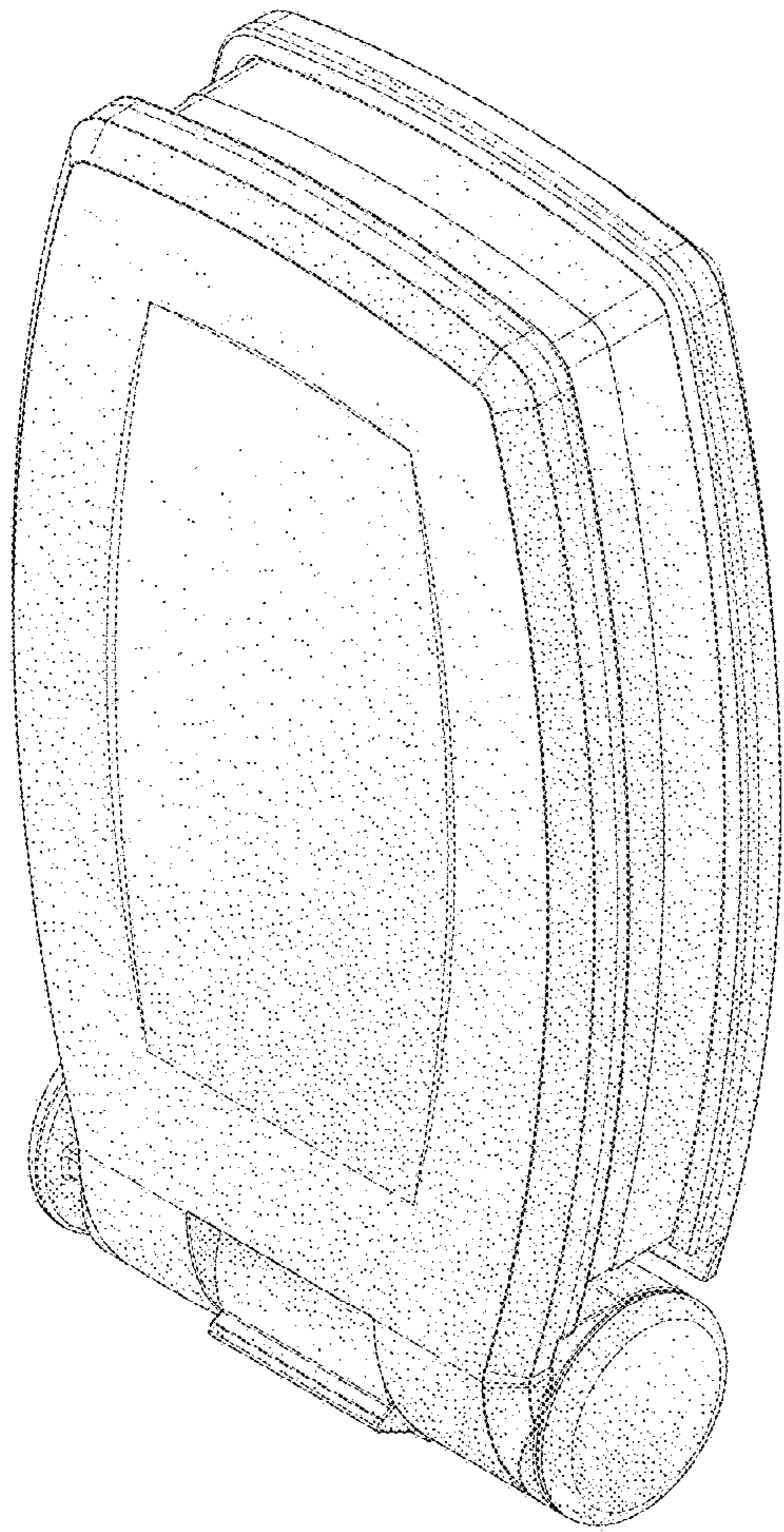


FIG. 1

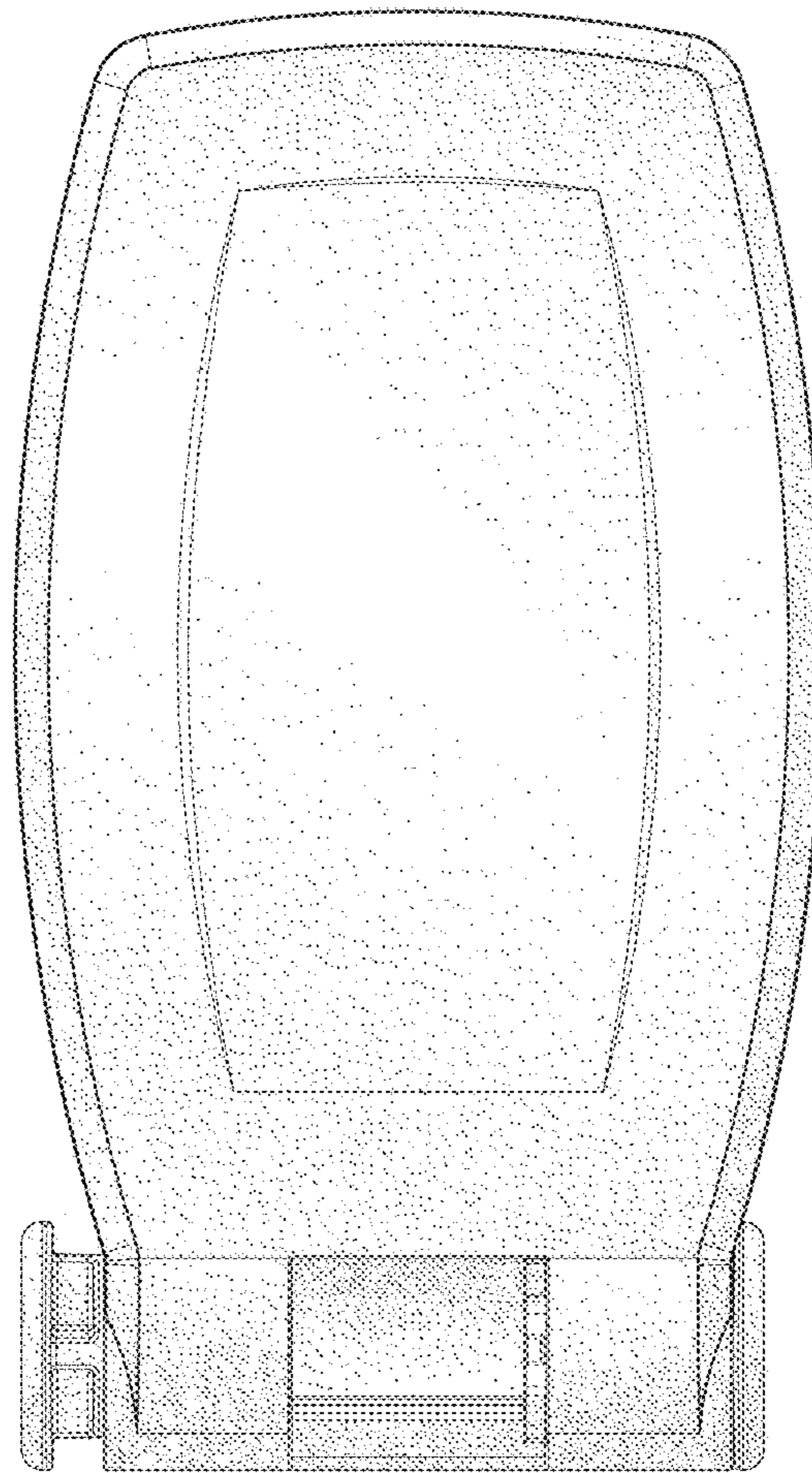


FIG. 2

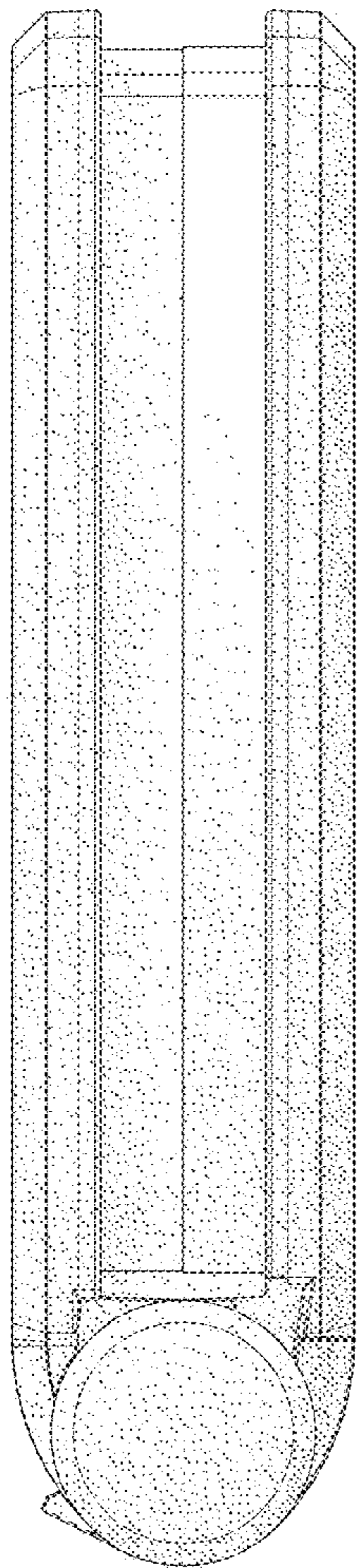


FIG. 3

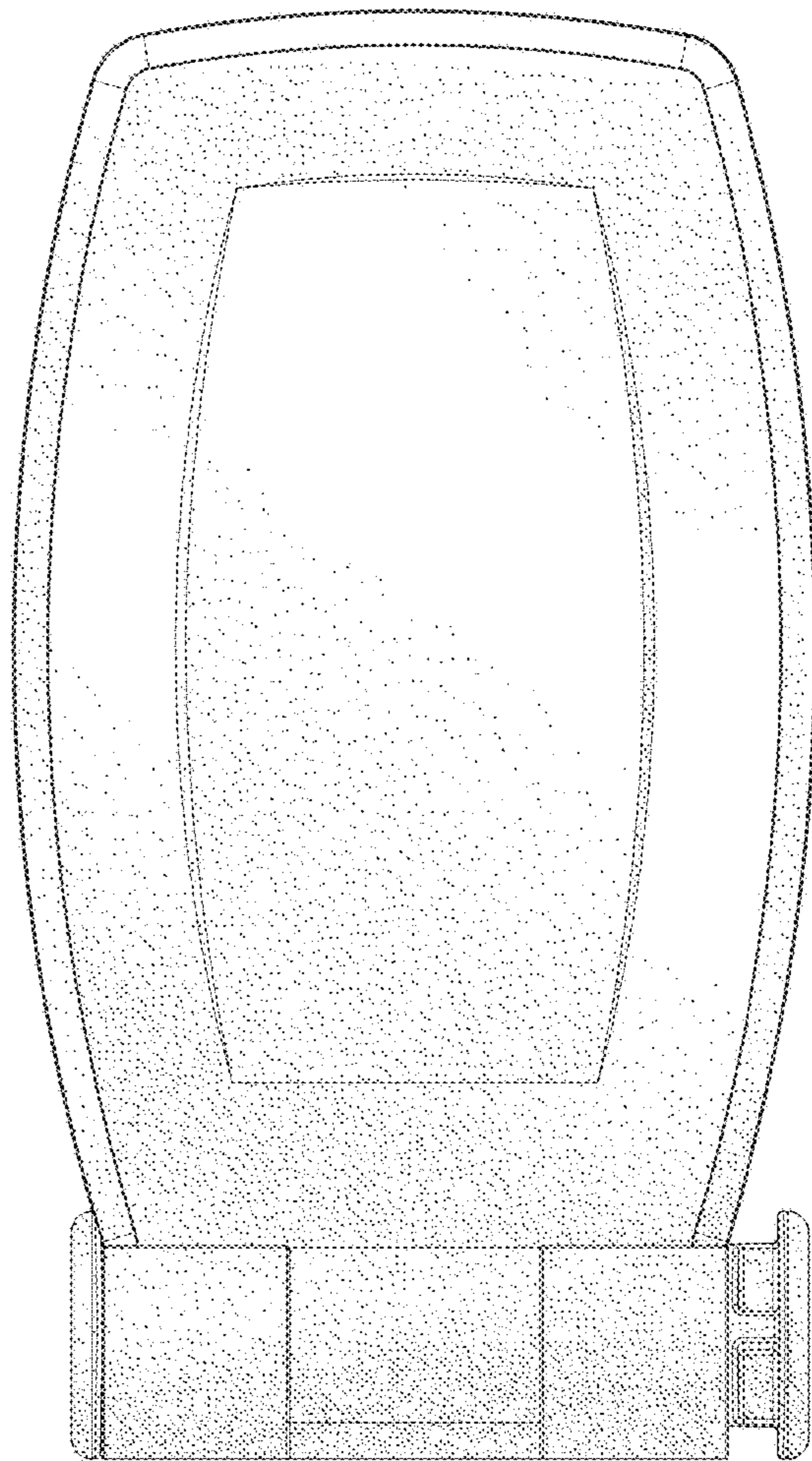


FIG. 4

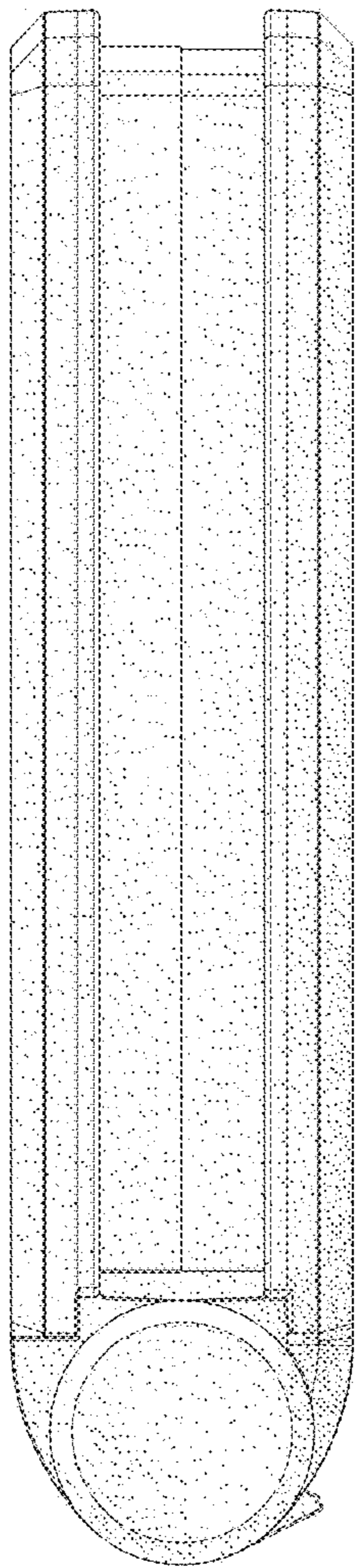


FIG. 5

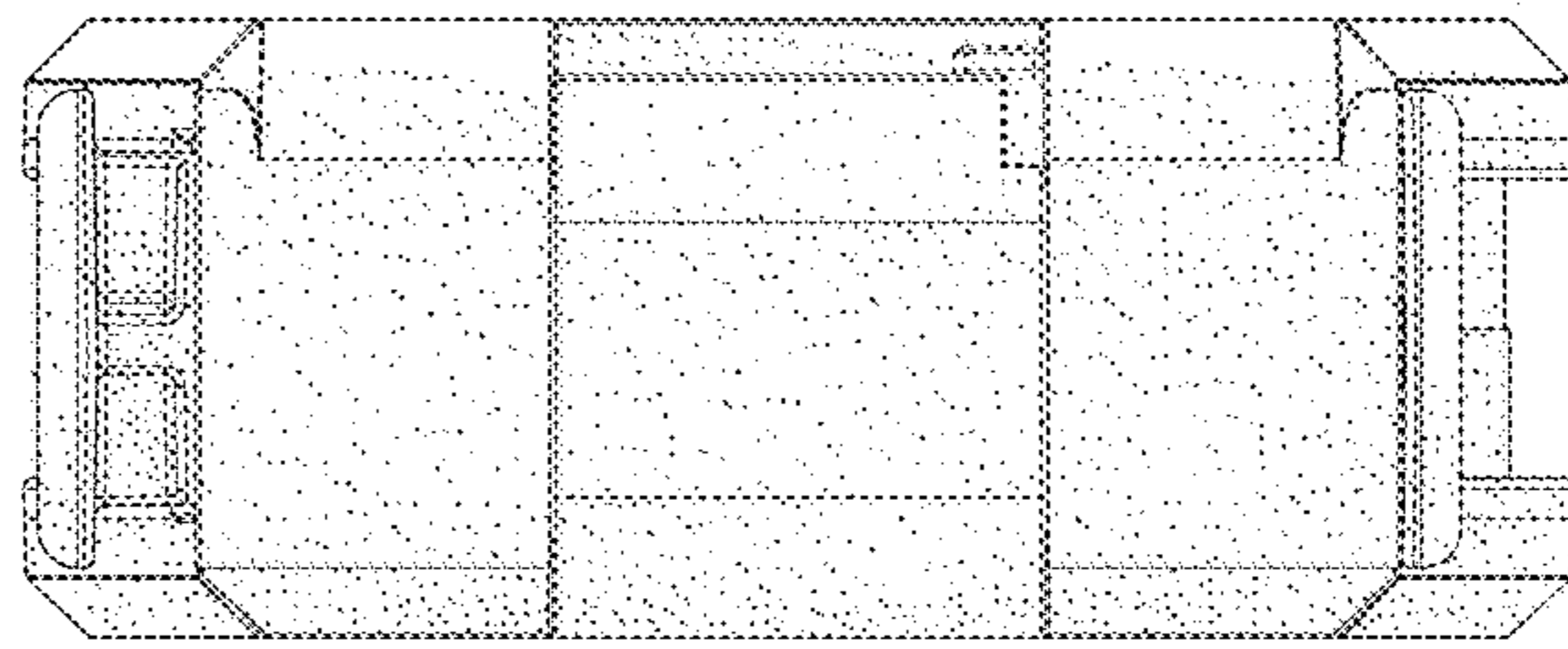


FIG. 6

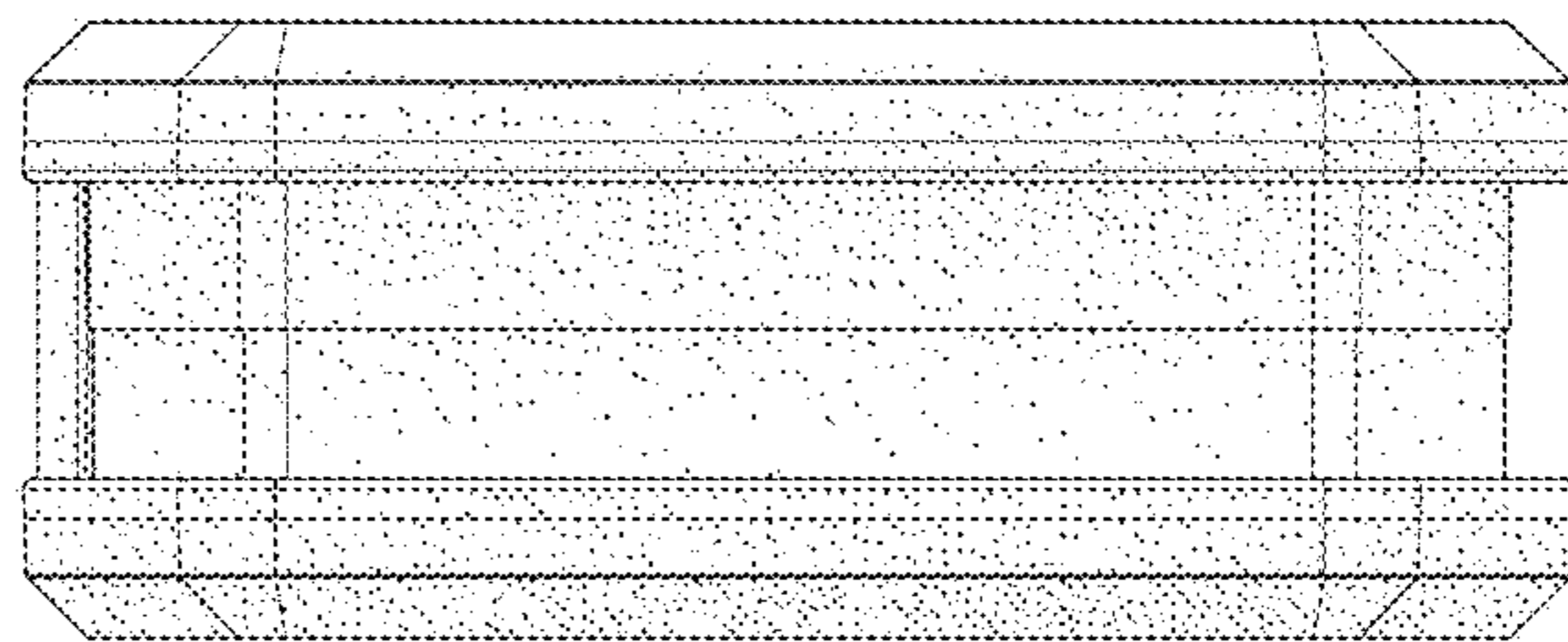


FIG. 7