



US00D848058S

(12) **United States Design Patent** (10) **Patent No.:** **US D848,058 S**  
**Richardson** (45) **Date of Patent:** **\*\* May 7, 2019**

(54) **SMOKING PEG**  
(71) Applicant: **Steven Ellis Richardson**, Tracy, CA (US)  
(72) Inventor: **Steven Ellis Richardson**, Tracy, CA (US)  
(\*\*) Term: **15 Years**  
(21) Appl. No.: **29/631,634**  
(22) Filed: **Dec. 31, 2017**  
(51) **LOC (11) Cl.** ..... **27-06**  
(52) **U.S. Cl.**  
USPC ..... **D27/183**  
(58) **Field of Classification Search**  
USPC ..... D27/100, 101, 102–105, 114, 137, 139, D27/141–144, 152, 153, 154, 155, 160, D27/161, 162–196, 136, 128; D23/366; D7/416; D24/110; D8/371, 380, 499  
CPC ..... A24F 47/002; A24F 47/00; A24F 3/02  
See application file for complete search history.

D179,489 S \* 1/1957 Mucho ..... 131/187  
D214,818 S \* 7/1969 Houlahen ..... 131/257  
D231,413 S \* 4/1974 Sopuch ..... 131/257  
D245,027 S \* 7/1977 Fisher ..... D27/135  
D375,815 S \* 11/1996 Kagasoff ..... D21/793  
D440,005 S \* 4/2001 Blanton ..... 24/16 R  
D525,408 S \* 7/2006 Nitadori ..... D34/35  
D526,183 S \* 8/2006 Jackson ..... D8/107  
D527,605 S \* 9/2006 Jackson ..... D8/107  
D539,753 S \* 4/2007 Makwinski ..... D13/155  
D570,203 S \* 6/2008 Shiimoto ..... 24/297  
D573,302 S \* 7/2008 Donne ..... D21/793  
D729,442 S \* 5/2015 Albers ..... D27/161  
D763,066 S \* 8/2016 Sugimoto ..... D8/382  
D779,724 S \* 2/2017 Decker ..... D27/167  
D785,236 S \* 4/2017 Elhalwani ..... D27/167  
D794,246 S \* 8/2017 Baxter ..... D27/183  
D805,249 S \* 12/2017 Casalino ..... D27/183  
D809,193 S \* 1/2018 McIntyre ..... D27/169  
D809,195 S \* 1/2018 Baxter ..... D27/183  
D813,449 S \* 3/2018 Jourdan ..... D27/183

\* cited by examiner

*Primary Examiner* — Brandon M Rosati  
*Assistant Examiner* — Marissa J Cash  
(74) *Attorney, Agent, or Firm* — Gerald R. Prettyman

(56) **References Cited**

U.S. PATENT DOCUMENTS

D11,877 S \* 7/1880 Kurczyn ..... D27/183  
D26,579 S \* 2/1897 Lehman ..... D27/183  
D27,375 S \* 7/1897 Girard ..... D27/183  
D60,049 S \* 12/1921 Meyers ..... D27/196  
1,976,653 A \* 10/1934 Brueck ..... A24F 13/22  
131/257  
D118,735 S \* 1/1940 Feigel ..... 131/258  
D133,226 S \* 7/1942 Wilson ..... 131/258  
D152,485 S \* 1/1949 Leach ..... D27/104  
D155,536 S \* 10/1949 Pickering et al. .... 131/259  
D155,790 S \* 11/1949 Epstein ..... 248/175  
D156,593 S \* 12/1949 Angerer ..... 131/258  
D156,928 S \* 1/1950 Wooden ..... D19/65  
D175,663 S \* 9/1955 Anselmi ..... D27/196

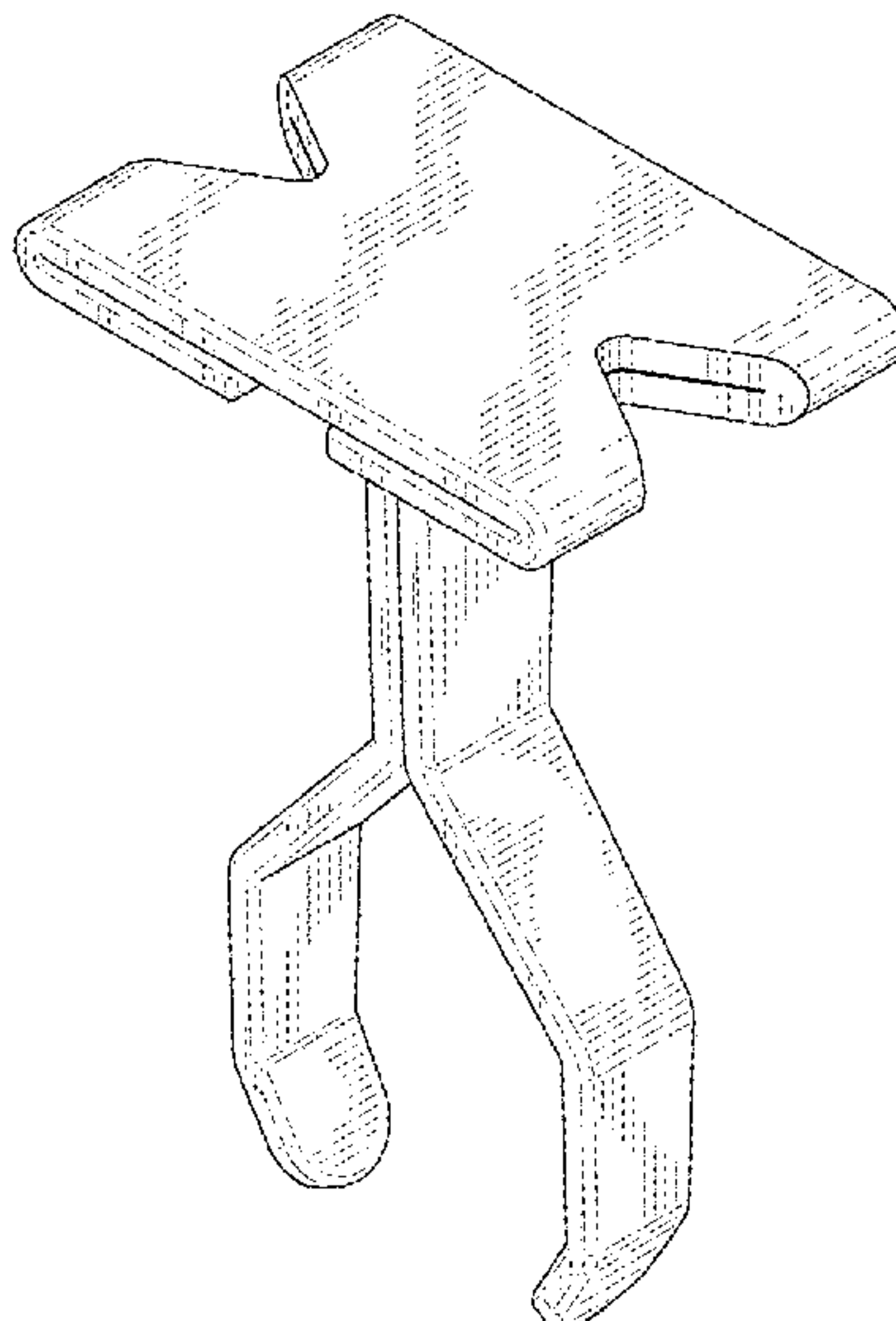
(57) **CLAIM**

The ornamental design for a smoking peg, as shown.

**DESCRIPTION**

FIG. 1 is a perspective view of a smoking peg, showing my new design;  
FIG. 2 is a perspective view thereof;  
FIG. 3 is a front view thereof;  
FIG. 4 is a left side view thereof;  
FIG. 5 is a top view thereof; and,  
FIG. 6 is a bottom view thereof.  
The back side view is a mirror image of the front view. The right side view is a mirror image of the left side view.

**1 Claim, 3 Drawing Sheets**



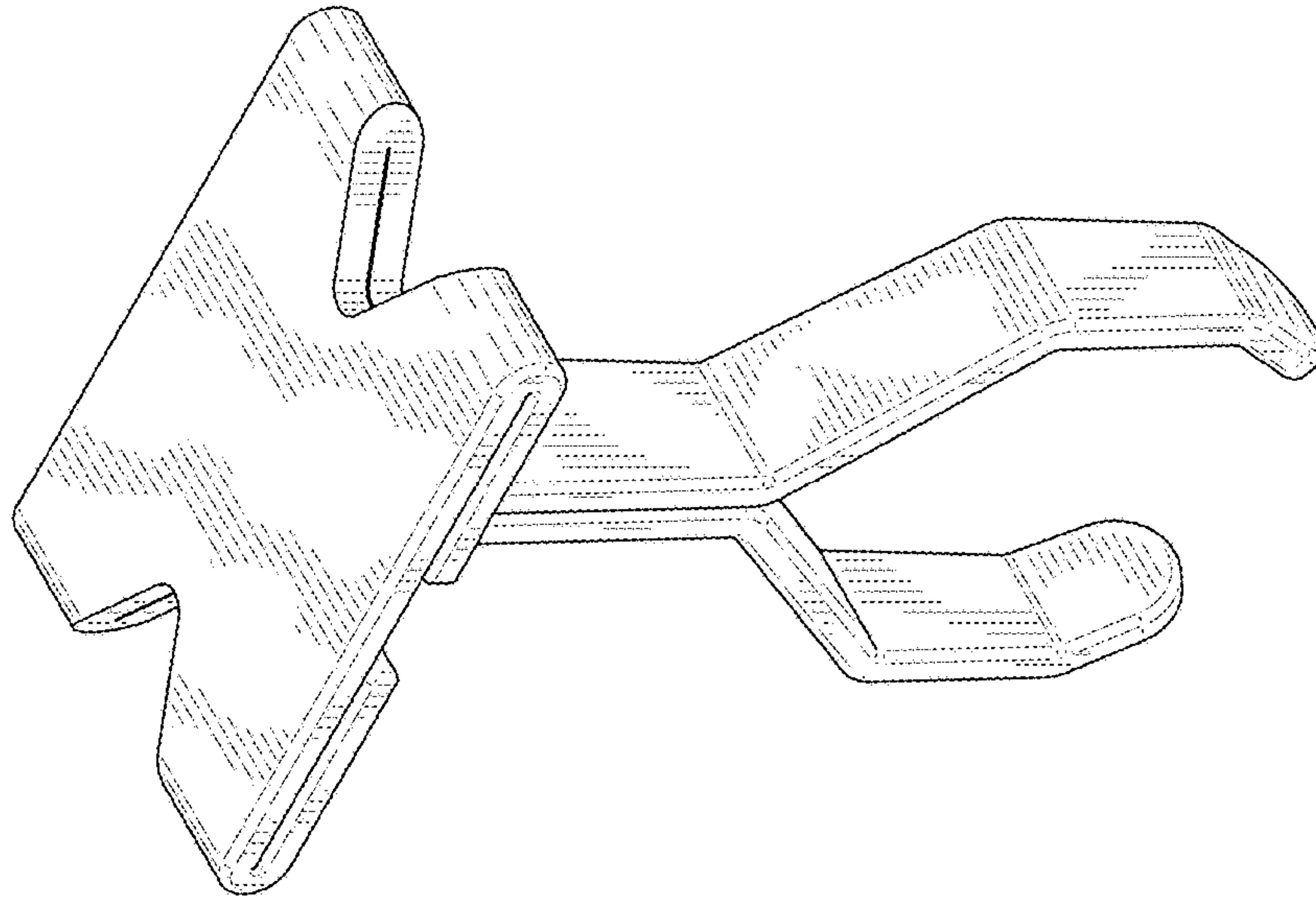


FIG. 1

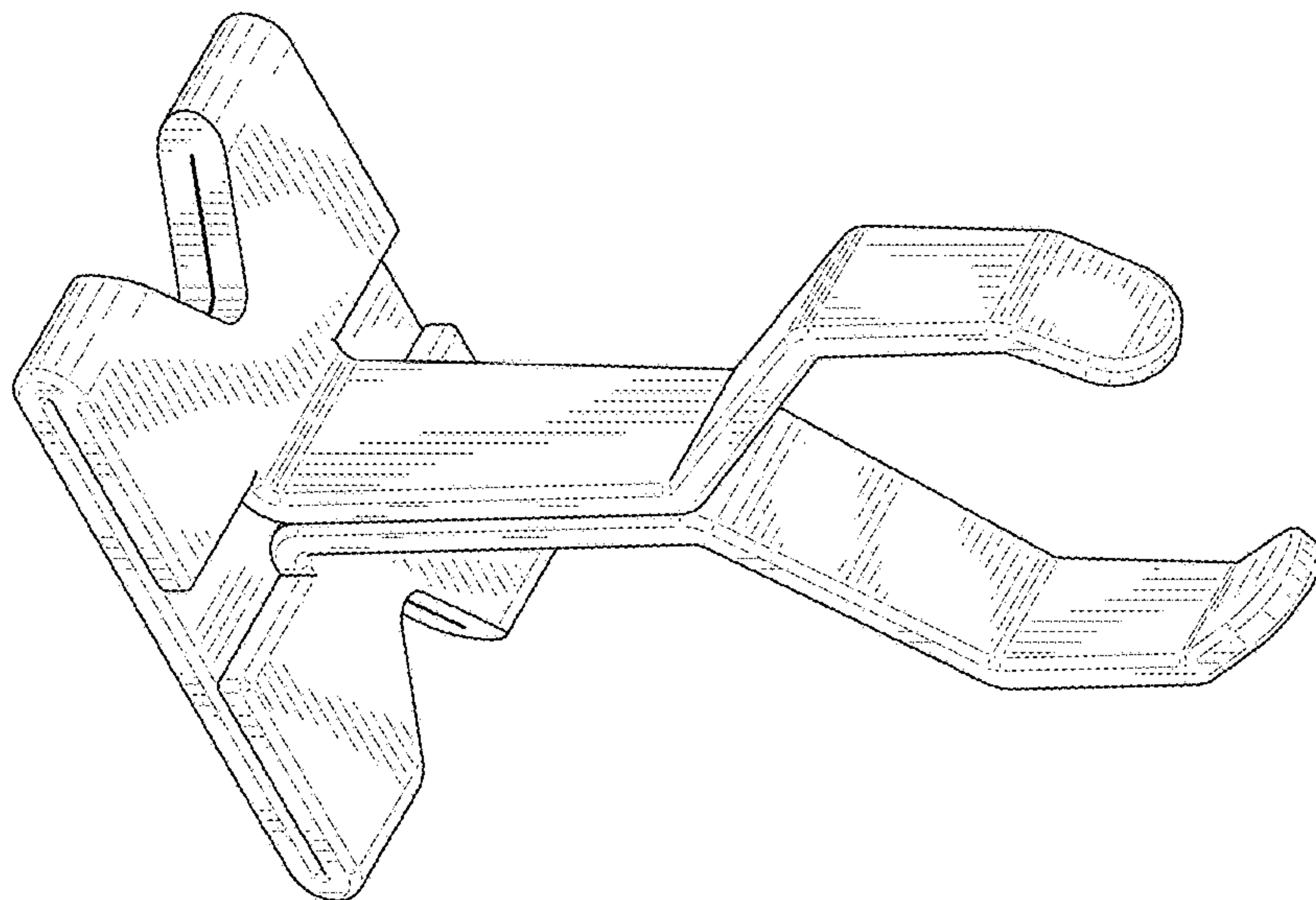


FIG. 2

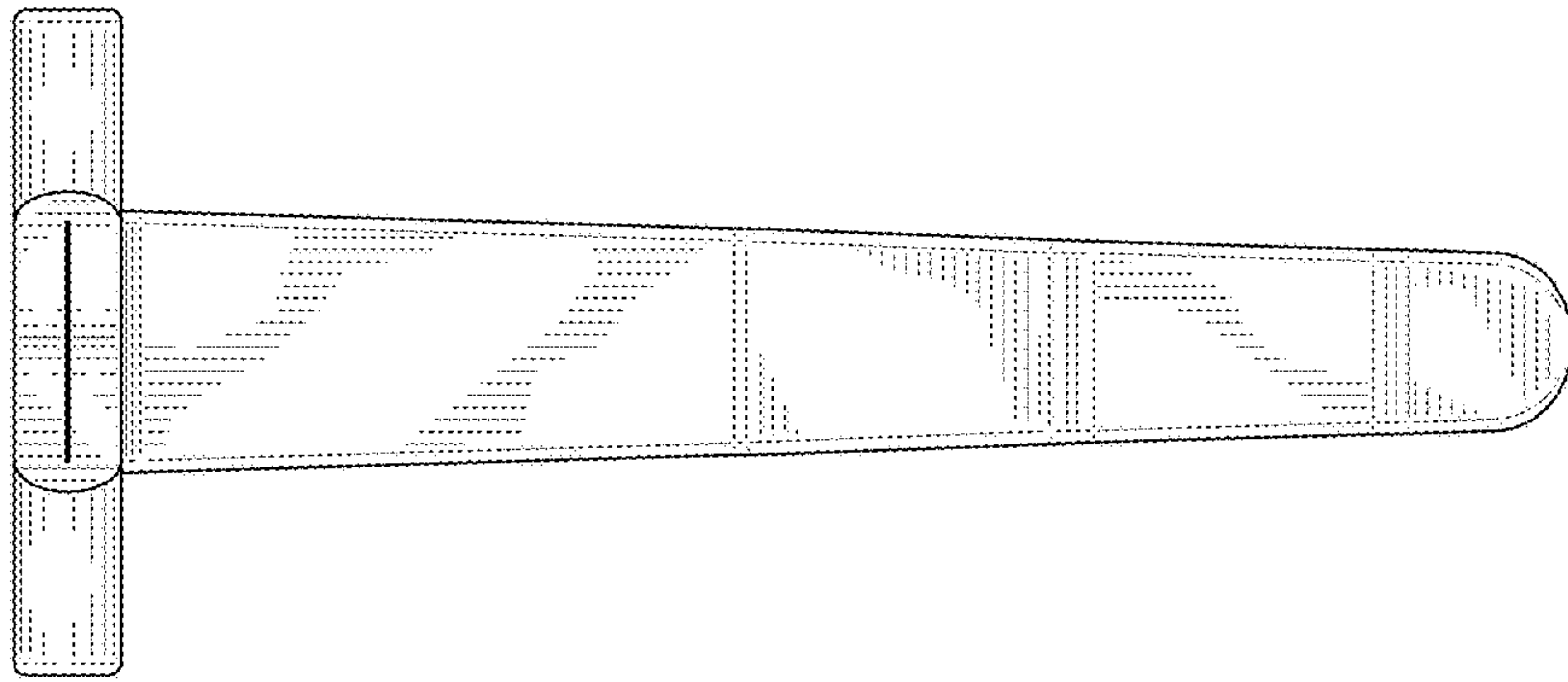


FIG. 4

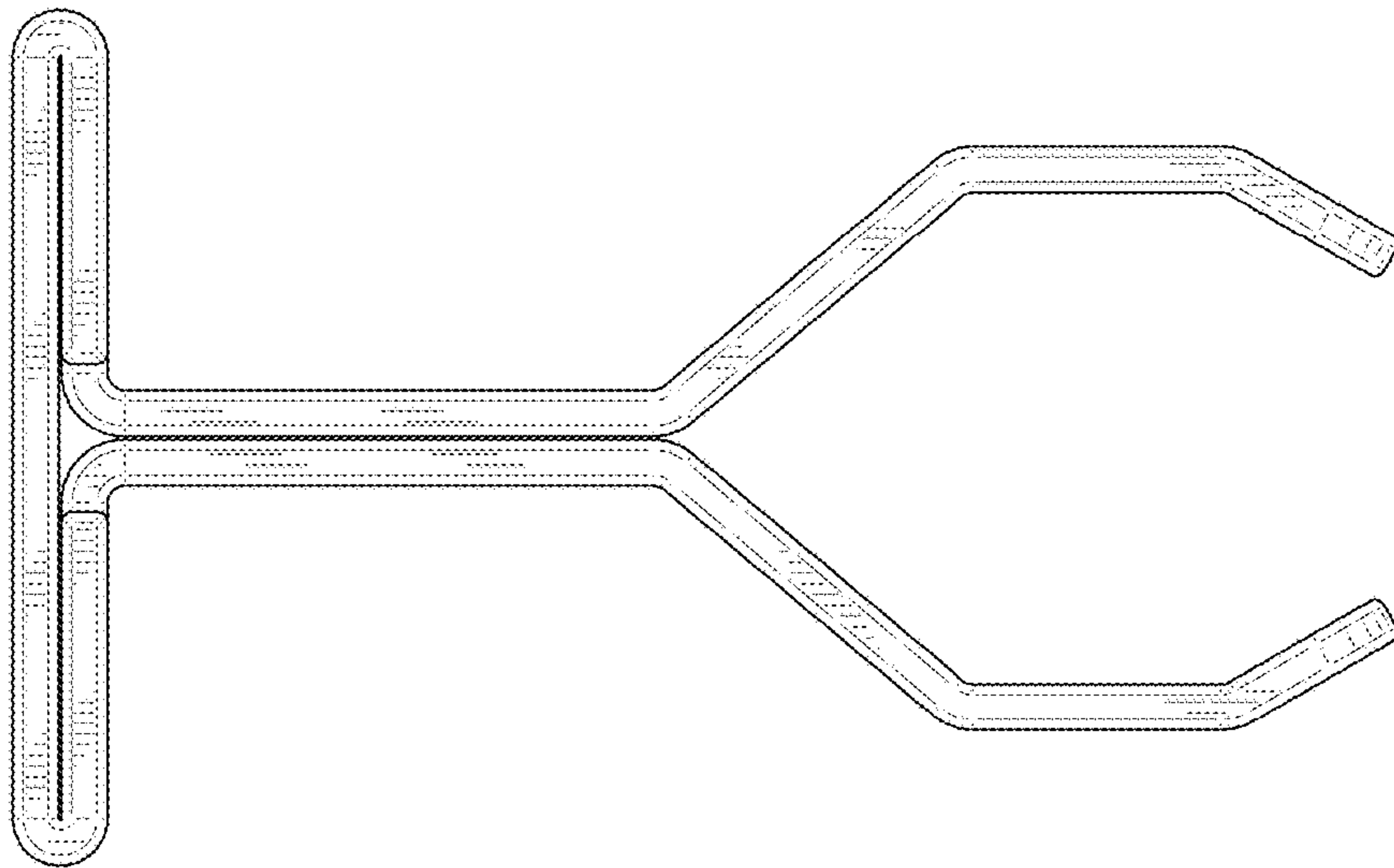


FIG. 3

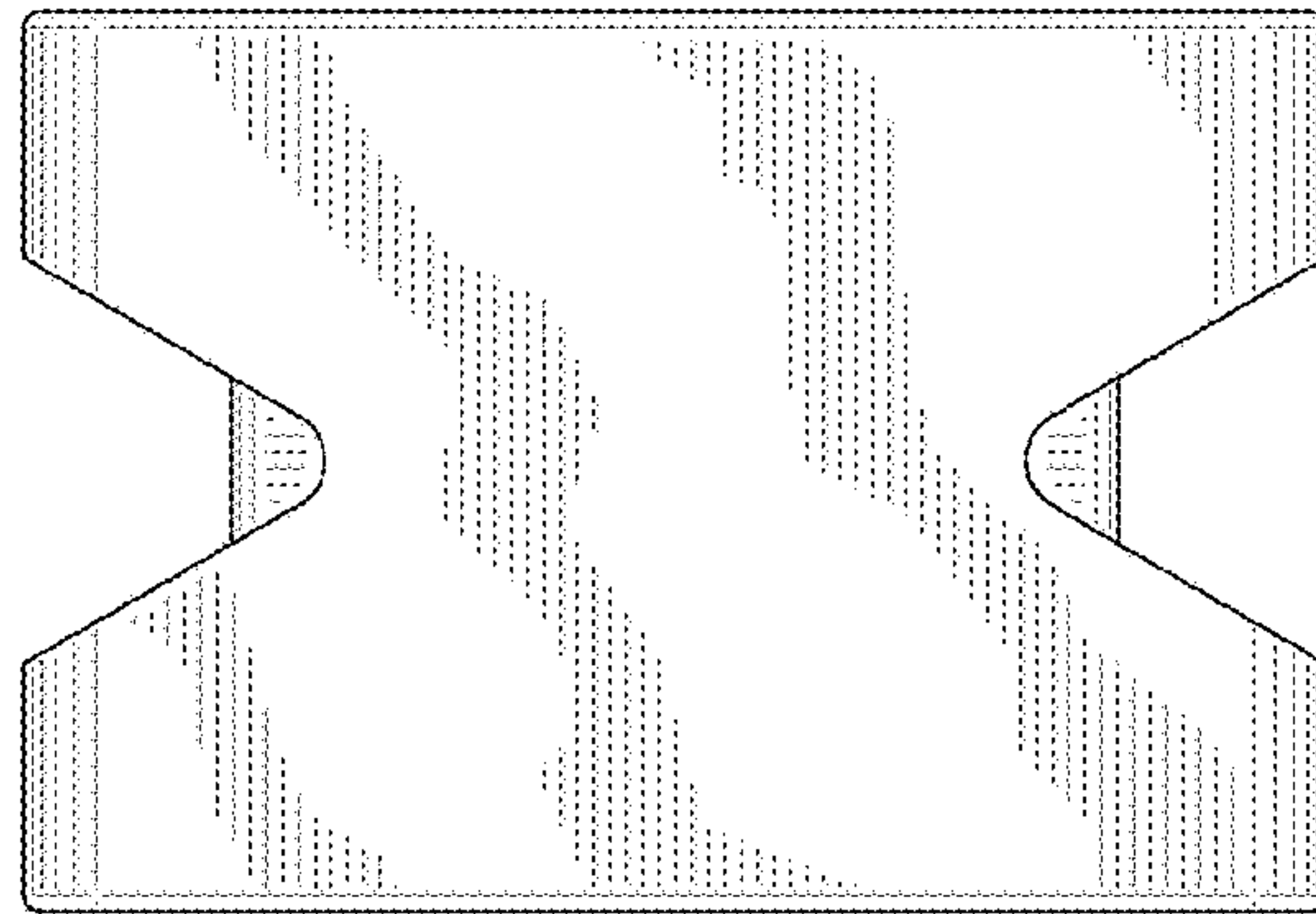


FIG. 5

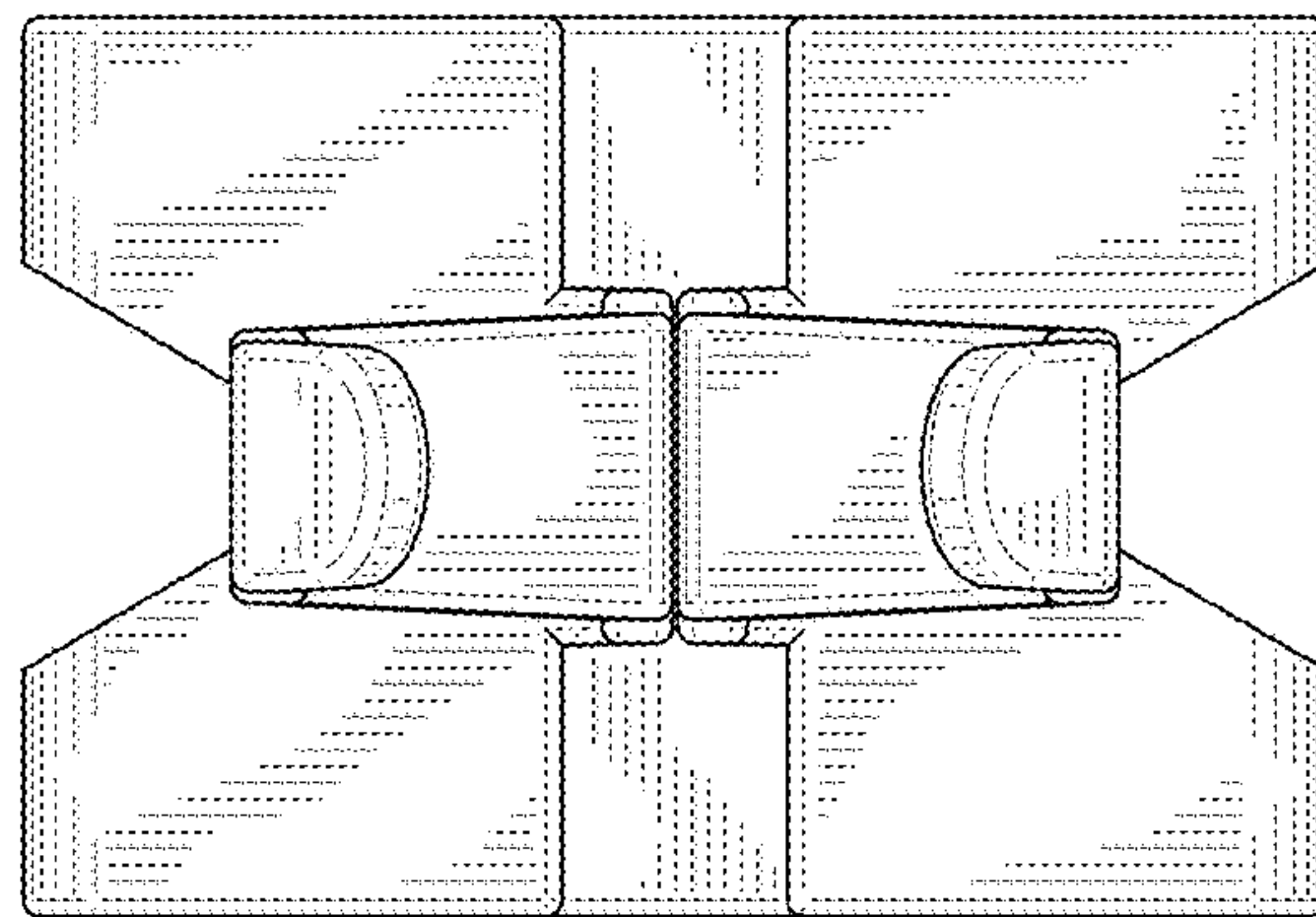


FIG. 6