



US00D848056S

(12) **United States Design Patent** (10) **Patent No.:** **US D848,056 S**
Carskadon et al. (45) **Date of Patent:** **** May 7, 2019**

(54) **HORTICULTURE LIGHTING CONTROLLER CHASSIS**

(71) Applicant: **HGCI, Inc.**, Las Vegas, NV (US)

(72) Inventors: **Martin Carskadon**, Vancouver, WA (US); **Martin R. Mason**, Vancouver, WA (US)

(73) Assignee: **HGCI, Inc.**, Las Vegas, NV (US)

(**) Term: **14 Years**

(21) Appl. No.: **29/525,627**

(22) Filed: **Apr. 30, 2015**

(51) **LOC (11) Cl.** **26-05**

(52) **U.S. Cl.**
USPC **D26/142**

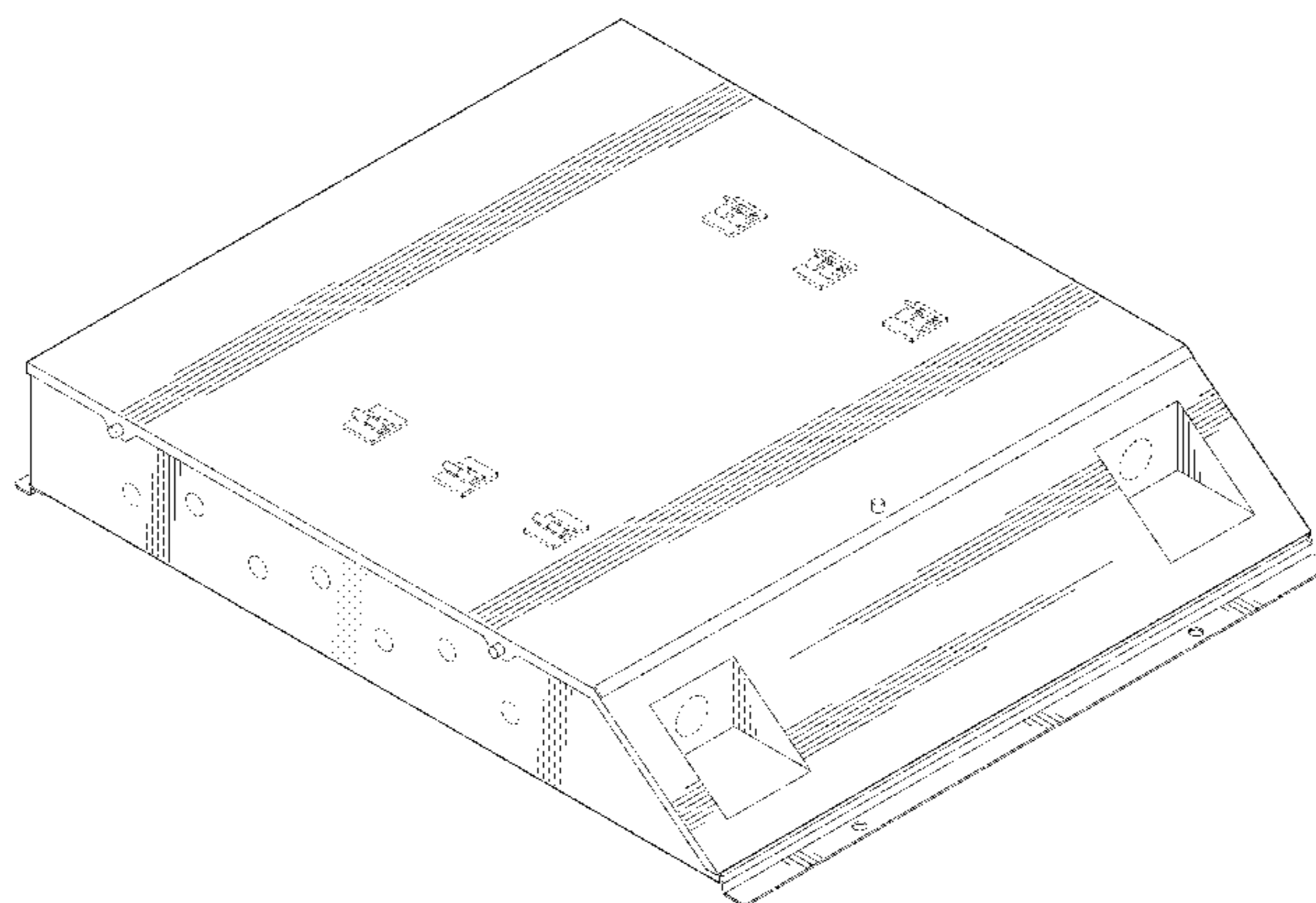
(58) **Field of Classification Search**
USPC D26/2, 28, 72, 89, 113, 118, 119, 120, D26/122, 124, 128, 138, 142, 143, 145, D26/60; D13/180
CPC F41C 27/00; F41C 33/0254; G02B 5/045; G02B 5/189; F21S 8/00; F21S 8/03; F21S 8/026; F21S 8/02; F21S 8/003; F21S 8/043; F21S 8/06; F21S 8/04; F21V 7/005; F21V 15/01; F21V 15/04; F21V 25/00; G02F 2001/133607; F21Y 2103/00
See application file for complete search history.

(56) **References Cited**

U.S. PATENT DOCUMENTS

2,325,470 A 7/1943 Bonanno
2,628,551 A 2/1953 Leigh
3,093,059 A 6/1963 Metz
3,365,535 A 1/1968 Wilk
3,446,384 A 5/1969 Blackman
D216,911 S * 3/1970 Specht D26/24
3,724,702 A 3/1973 Kay
D254,846 S 4/1980 Wood
4,297,818 A 11/1981 Anderson
D267,516 S * 1/1983 Rambusch D26/24
D277,027 S 1/1985 Waltz
D277,028 S 1/1985 Waltz

4,592,269 A 6/1986 Lamparter
4,615,263 A 10/1986 Titterud
D288,857 S * 3/1987 Spaine D26/72
D296,584 S 7/1988 Hilton
D300,655 S 4/1989 Buehler
D306,430 S 3/1990 McNutt
4,909,385 A 3/1990 Blymiller
5,098,046 A 3/1992 Webb
D327,317 S 6/1992 Courchesne
D332,139 S 12/1992 Courchesne
D332,942 S 2/1993 Julien
D342,235 S 12/1993 Shotey
D350,532 S 9/1994 Phelps
D352,126 S 11/1994 Ruud
5,491,327 A 2/1996 Saroya
5,501,634 A 3/1996 Wilder
5,591,080 A 1/1997 Ward
D383,438 S 9/1997 Gerber
D384,336 S 9/1997 Gerber
5,662,522 A 9/1997 Waltz
5,665,938 A 9/1997 Boshear
5,669,524 A 9/1997 Loedel
5,735,086 A 4/1998 Fordahl
5,773,760 A 6/1998 Stark
D414,460 S 9/1999 Hughes
D416,232 S 11/1999 Finck
6,120,118 A 9/2000 Dean
D433,995 S 11/2000 Romano
6,152,579 A 11/2000 Reed
D436,163 S 1/2001 Peterson
D442,273 S 5/2001 Pestell
6,293,862 B1 9/2001 Jafine
6,300,564 B1 10/2001 Moraes
D456,938 S 5/2002 Wardenburg
6,397,781 B1 6/2002 Bellington
6,491,327 B1 12/2002 Fan
6,514,135 B1 2/2003 Kelly
6,549,405 B2 4/2003 Wharton
6,686,535 B1 2/2004 Evans
6,723,922 B1 4/2004 Shotey
D504,425 S 4/2005 Ritson
6,969,130 B2 11/2005 Newton
D517,506 S 3/2006 Bessmertny
D517,507 S 3/2006 Johnson
D520,665 S * 5/2006 Jiang D26/72
D521,171 S * 5/2006 Skegin D26/72
7,054,442 B2 5/2006 Weikle
D531,961 S 11/2006 Greenfield
D537,570 S 2/2007 Sanders
7,217,308 B2 5/2007 Thanheiser
D544,139 S * 6/2007 Hargreaves D26/118
D549,316 S 8/2007 O'Hagin
D556,314 S 11/2007 Daniels, II



7,294,017	B2	11/2007	Scott	
D571,450	S	6/2008	Brown	
D573,105	S	7/2008	Richey	
D573,524	S	7/2008	Smith	
7,476,807	B1	1/2009	Gretz	
D587,797	S	3/2009	Blanchard	
D601,098	S	9/2009	Phelps	
7,609,512	B2	10/2009	Richardson	
7,633,008	B2	12/2009	Kanou	
D612,040	S	3/2010	Daniels	
D618,332	S	6/2010	Kimura	
D618,780	S	6/2010	Williams, Sr.	
D624,639	S	9/2010	Dilorenzo	
D625,800	S	10/2010	Daniels	
D638,307	S	5/2011	Rossi	
D641,707	S	7/2011	Czarnecki	
D648,282	S	7/2011	Czarnecki	
D651,566	S	1/2012	Sedberry	
D653,745	S	2/2012	Gregg	
D656,601	S	3/2012	Roderique	
D657,748	S	4/2012	Hargreaves	
8,153,895	B2	4/2012	Drane	
D660,252	S	5/2012	Hargreaves	
8,205,401	B2	6/2012	Ward	
D662,870	S	7/2012	Russ	
D662,896	S	7/2012	Czarnecki	
8,217,262	B2	7/2012	Lank	
8,251,253	B1	8/2012	Cleghorn	
D662,707	S	9/2012	Eikhoff	
D669,211	S *	10/2012	Larson	D26/138
D672,450	S	12/2012	Milks	
8,385,113	B2	2/2013	Pinkerton	
D680,419	S	4/2013	Green	
D690,065	S	9/2013	Shoenster	
D693,051	S *	11/2013	Klu	D26/138
D697,666	S *	1/2014	Grote, Jr.	D26/142
D700,611	S	3/2014	Boldetti	
D704,815	S	5/2014	Butler	
D704,816	S	5/2014	Butler	
D704,817	S	5/2014	Butler	
D705,420	S	5/2014	Eichelberg	
D722,976	S	2/2015	Okado	
D724,715	S	3/2015	Isshiki	
D731,047	S	6/2015	Leonard	
D736,198	S	8/2015	Merbeth	
D736,365	S	8/2015	Breneman	
D737,421	S	8/2015	Jannello	
D739,595	S *	9/2015	Reynolds	D26/118
D743,520	S	11/2015	Sinur	
D744,138	S *	11/2015	O'Leary	D26/63
D744,142	S *	11/2015	Bobel	D26/63
D744,143	S *	11/2015	Bobel	D26/63
D744,144	S *	11/2015	Bobel	D26/63
D744,685	S *	12/2015	Zhan	D26/63
D745,993	S *	12/2015	Reynolds	D26/118
D747,541	S *	1/2016	Dietel	D26/141
D752,770	S	3/2016	Kuhn	
D753,311	S	4/2016	Long	
D753,312	S	4/2016	Long	
D760,946	S *	7/2016	Hobson	D26/142
D761,727	S *	7/2016	Arends	D13/107
D762,568	S *	8/2016	Arends	D13/107
D766,177	S *	9/2016	Barajas	D13/107
2001/0049261	A1	12/2001	McKee	
2003/0054754	A1	3/2003	McKee	
2003/0153262	A1	8/2003	Mantyla	
2005/0233691	A1	10/2005	Horton	
2006/0157092	A1	7/2006	Kramer	
2008/0210783	A1	9/2008	Bissonnette	
2008/0296039	A1	12/2008	Dinh	
2010/0184366	A1	7/2010	Hassenstab	
2011/0284530	A1	11/2011	Wood	
2011/0292624	A1	12/2011	Tanaka	
2012/0212883	A1	8/2012	Hargreaves	
2013/0115871	A1	5/2013	Bourque	
2015/0289328	A1	10/2015	Conrad	
2015/0342125	A1	12/2015	Krijn	

2016/0161066	A1	6/2016	Sung
2016/0165809	A1	6/2016	Mason
2017/0034895	A1	2/2017	Vogel

FOREIGN PATENT DOCUMENTS

CN	201530033687.4	7/2015
CN	201530033112.2	8/2015
CN	201530426209	10/2015

OTHER PUBLICATIONS

Motorized damper, image post date May 22, 2012, site visited Jun. 11, 2016, <<https://www.tineye.com/search/585a79138b8552a0de2f919391f5c3daa879a9eb/>>.
 Residential Product Catalog, image post date May 2011, site visited Jun. 11, 2016, <<http://www.cleanwaterpa.com/sites/default/files/u1/pdf/AO%20snutg%20water%20heater%20catalog.pdf>>.
 Yamaja R6 OEM ECU CDI engine control unit module computer YZF-R6, image post date 2008, site visited Jun. 22, 2016, <http://www.ebay.co.uk/itm/272262109754?clk_rvr_id=1050641016140&mvSB=true>.
 Louvre Dampers, image post date Mar. 2010, site visited Jun. 11, 2016, <[www.http://pumps.kerpump.com/asset/damper.pdf](http://www.pumps.kerpump.com/asset/damper.pdf)>.
 SPM-F series Air regulation damper, image post date Jan. 14, 2014, site visited Jun. 11, 2016, <<https://www.tineye.com/search/1d120de9ed460d7685f82916e431007f82916e431107f690f1824/>>.
 Dampers—Air measuring products—access doors, image post date Apr. 18, 2005-Nov. 18, 2014, site visited Jun. 11, 2016, (<<http://www.deicontrols.com/dampers/>>).
 Control Damper—Model 612, image post date 1955, site visited Jun. 11, 2016, <<http://www.safeair-dowco.com/products/612.pdf>>.
 Control Damper—Model BDD image post date 1955, site visited Jun. 11, 2016, <<http://www.safeair-dowco.com/product/BDD.pdf>>.

* cited by examiner

Primary Examiner — Michelle E. Wilson

Assistant Examiner — Sanjeev Paul

(74) Attorney, Agent, or Firm — J. Douglas Wells

(57) CLAIM

The ornamental design for a horticulture lighting controller chassis, as shown and described.

DESCRIPTION

FIG. 1 is a perspective view of a first embodiment of a horticulture lighting controller chassis, as viewed from the front, showing our new design;
 FIG. 2 is a perspective view of the chassis shown in FIG. 1, as viewed from the rear;
 FIG. 3 is a right side view of the chassis shown in FIG. 1;
 FIG. 4 is a left side view of the chassis shown in FIG. 1;
 FIG. 5 is a top elevation view of the chassis shown in FIG. 1;
 FIG. 6 is a bottom elevation view of the chassis shown in FIG. 1;
 FIG. 7 is a front plan view of the chassis shown in FIG. 1;
 FIG. 8 is a rear plan view of the chassis shown in FIG. 1;
 FIG. 9 is an exploded perspective view of a second embodiment of a horticulture lighting controller chassis, as viewed from the front, showing our new design, the second embodiment comprising a kit of three separate components, a front component shown in FIGS. 17-23, a top component shown in FIGS. 24-30, and a rear or backplane component shown in FIGS. 10-16;

FIG. 10 is a perspective view of a rear component of the chassis shown in FIG. 9, as viewed from the front;
FIG. 11 is a right side view of the rear component shown in FIG. 10;
FIG. 12 is a left side view of the rear component shown in FIG. 10;
FIG. 13 is a top elevation view of the rear component shown in FIG. 10;
FIG. 14 is a bottom elevation view of the rear component shown in FIG. 10;
FIG. 15 is a front plan view of the rear component shown in FIG. 10;
FIG. 16 is a rear plan view of the rear component shown in FIG. 10;
FIG. 17 is a perspective view of a front component of the chassis shown in FIG. 9, as viewed from the front;
FIG. 18 is a right side view of the front component shown in FIG. 17;
FIG. 19 is a left side view of the front component shown in FIG. 17;
FIG. 20 is a top elevation view of the front component shown in FIG. 17;
FIG. 21 is a bottom elevation view of the front component shown in FIG. 17;

FIG. 22 is a front plan view of the front component shown in FIG. 17;
FIG. 23 is a rear plan view of the front component shown in FIG. 17;
FIG. 24 is a perspective view of a top component of the chassis shown in FIG. 9, as viewed from the front;
FIG. 25 is a right side view of the top component shown in FIG. 24;
FIG. 26 is a left side view of the top component shown in FIG. 24;
FIG. 27 is a top elevation view of the top component shown in FIG. 24;
FIG. 28 is a bottom elevation view of the top component shown in FIG. 24;
FIG. 29 is a front plan view of the top component shown in FIG. 24; and,
FIG. 30 is a rear plan view of the top component shown in FIG. 24.
The broken-line disclosure shown in the views is understood to represent portions of the article in which the claimed design is embodied, but which form no part of the claimed design.

1 Claim, 18 Drawing Sheets

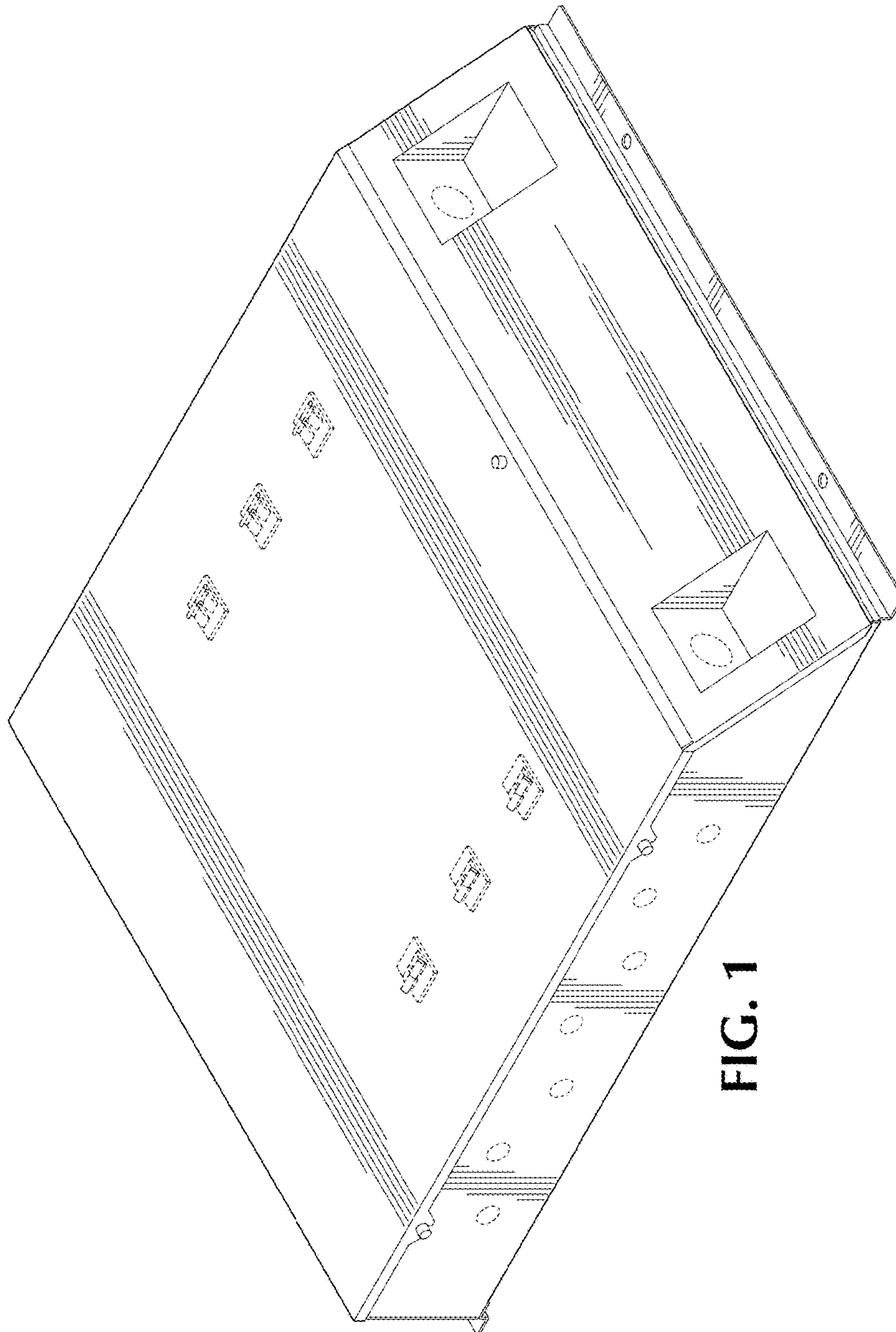


FIG. 1

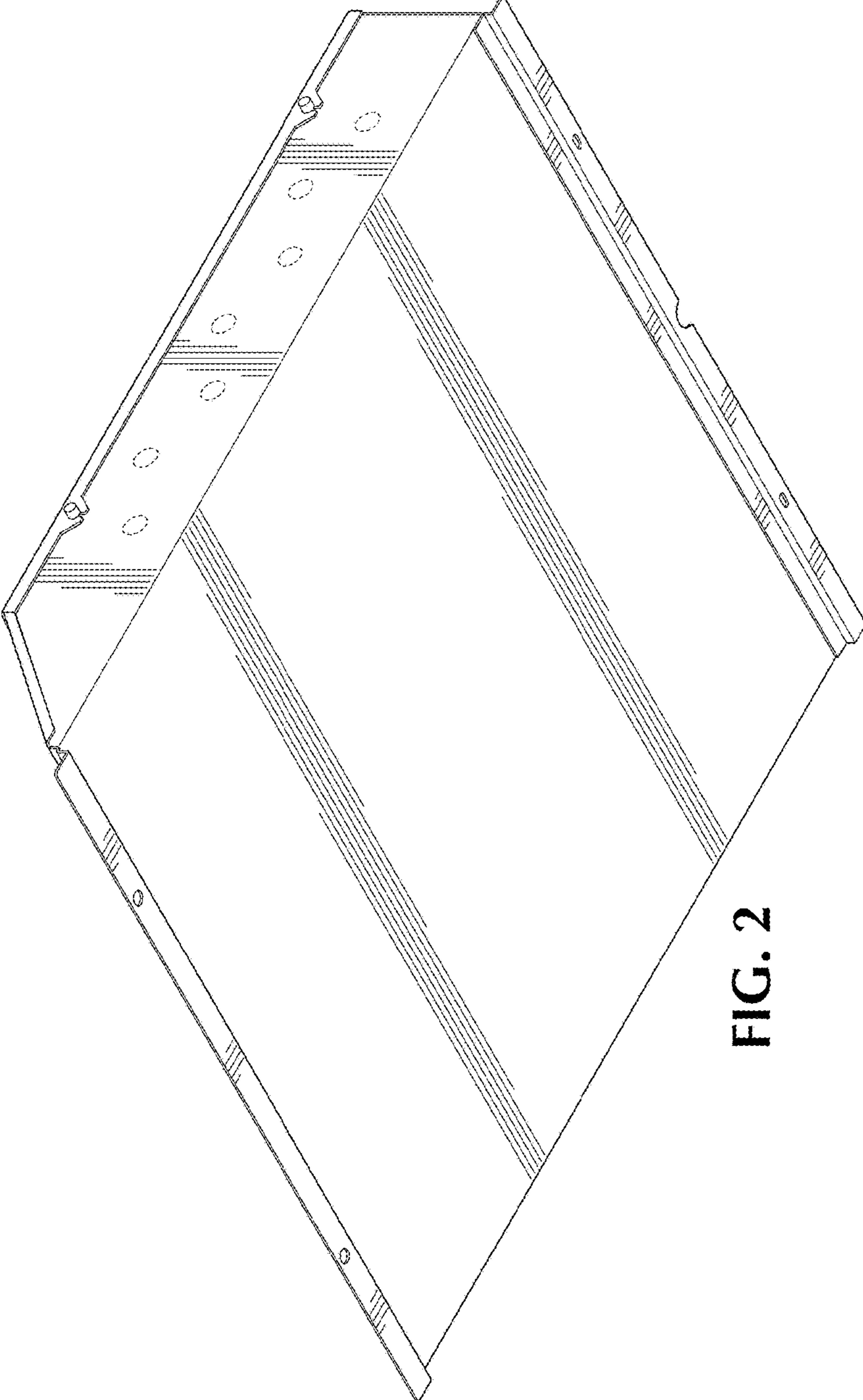


FIG. 2

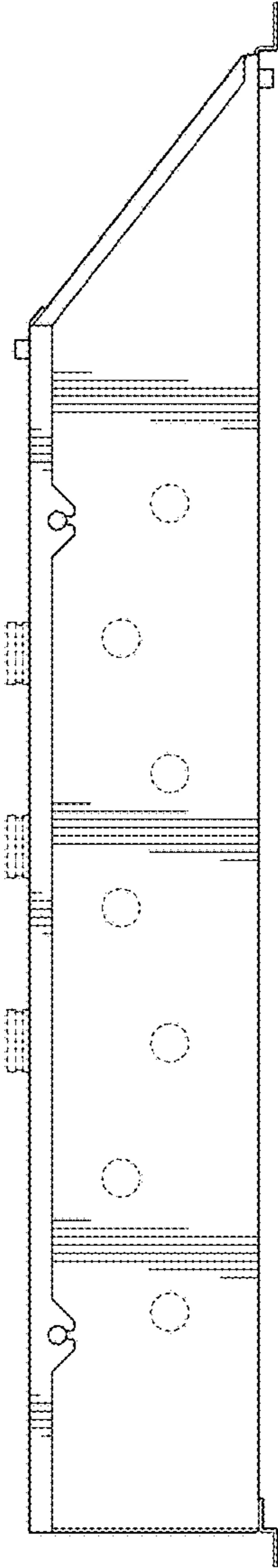


FIG. 3

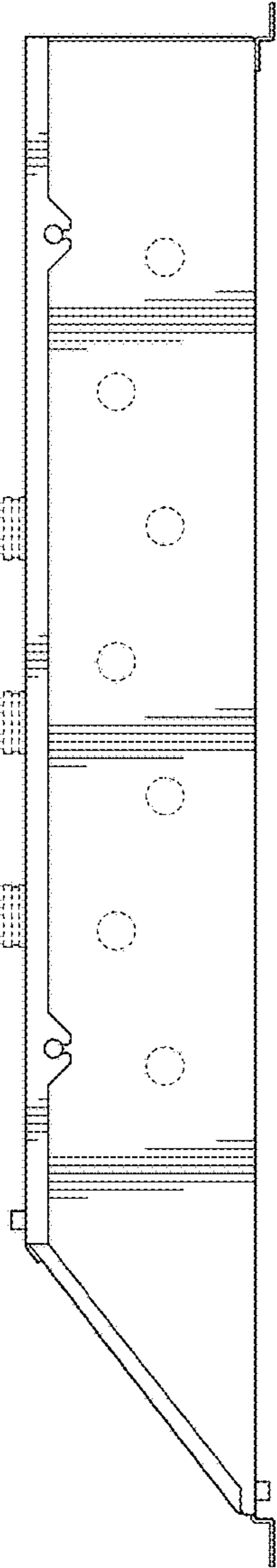


FIG. 4

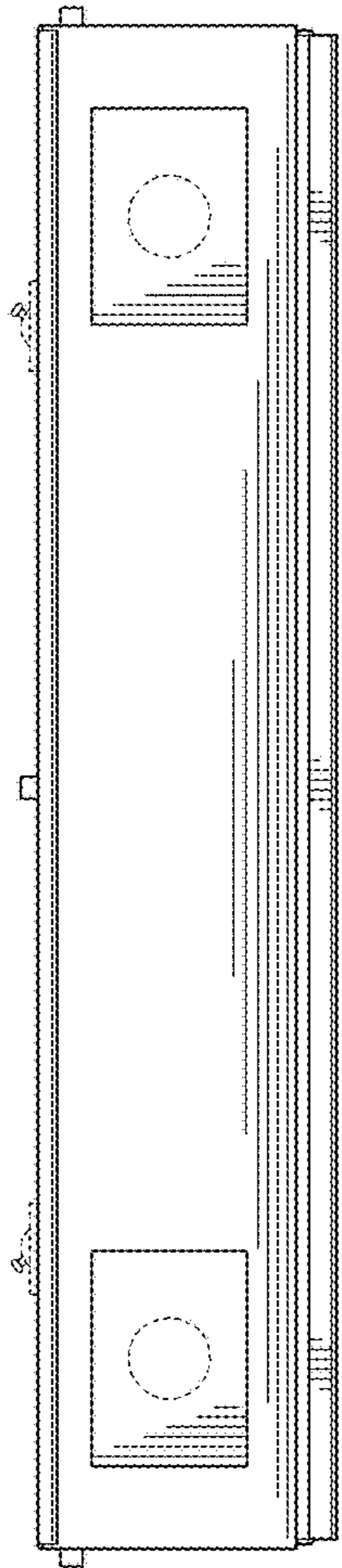


FIG. 5

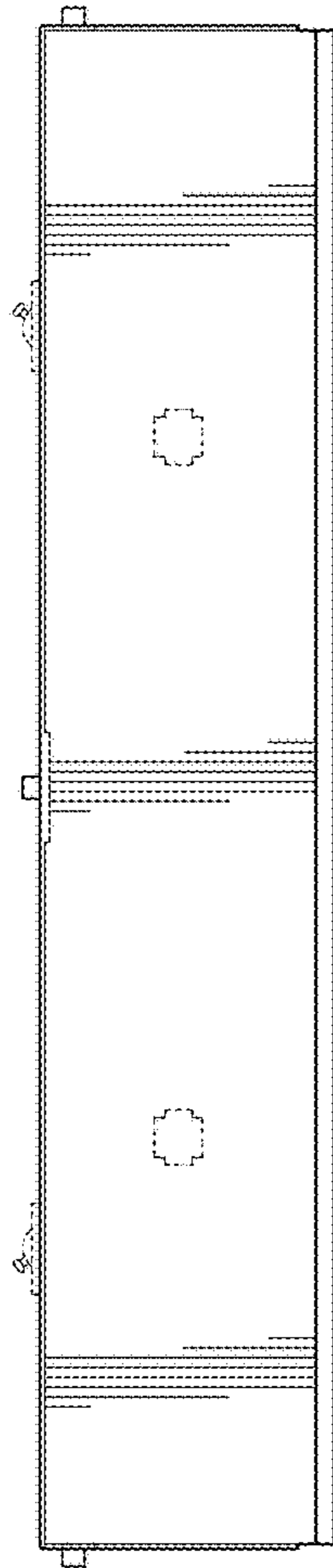


FIG. 6

FIG. 7

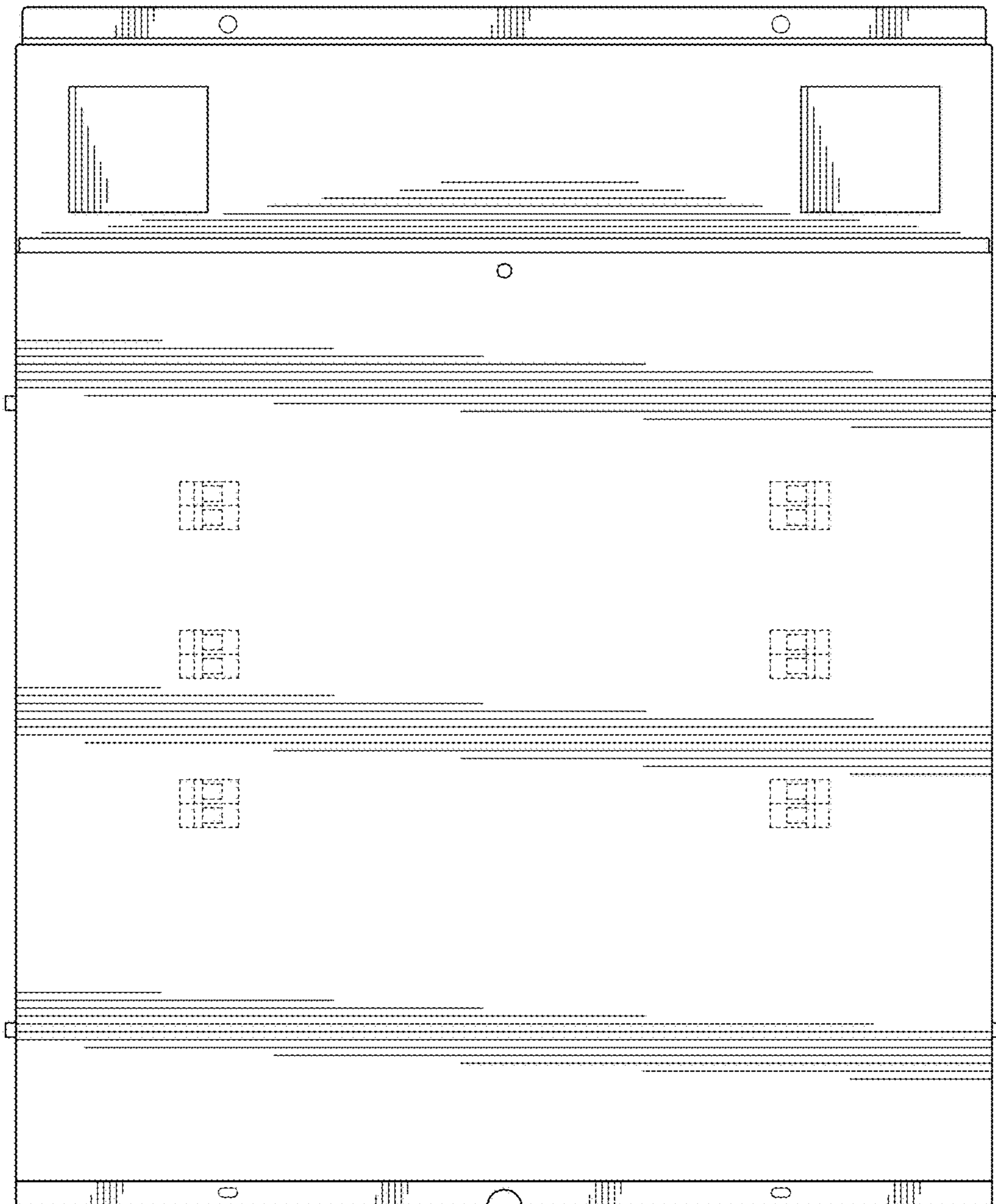
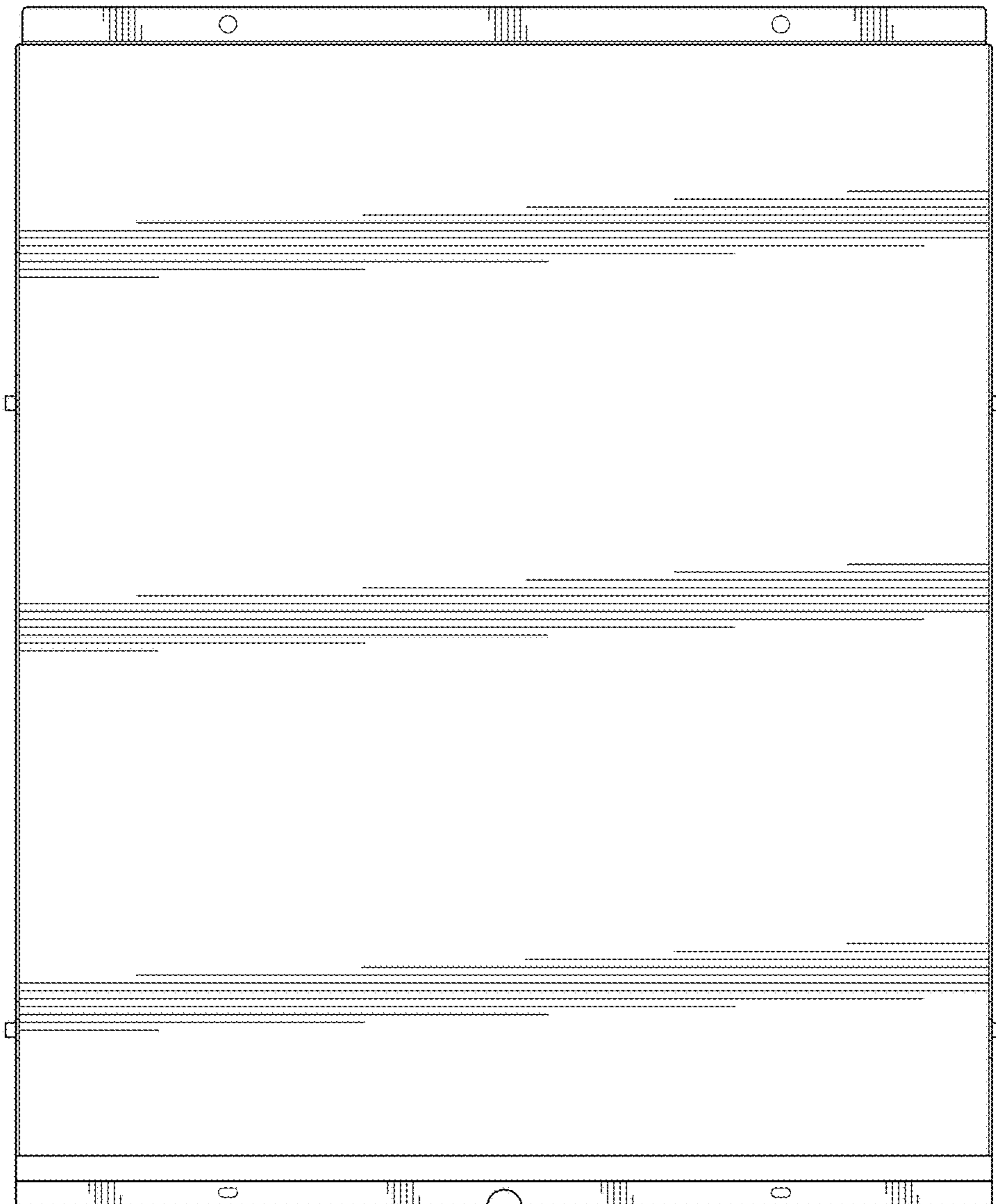


FIG. 8



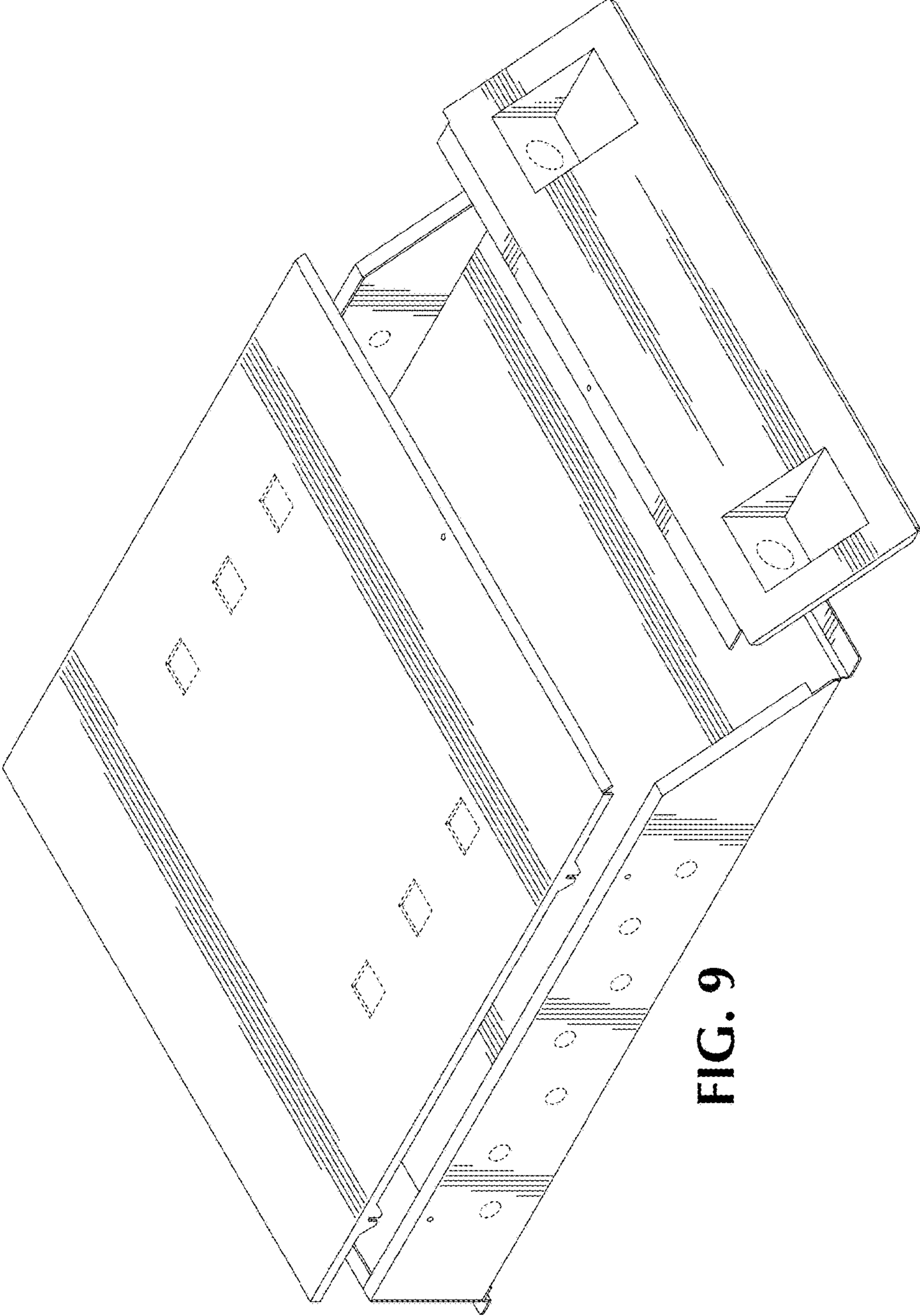


FIG. 9

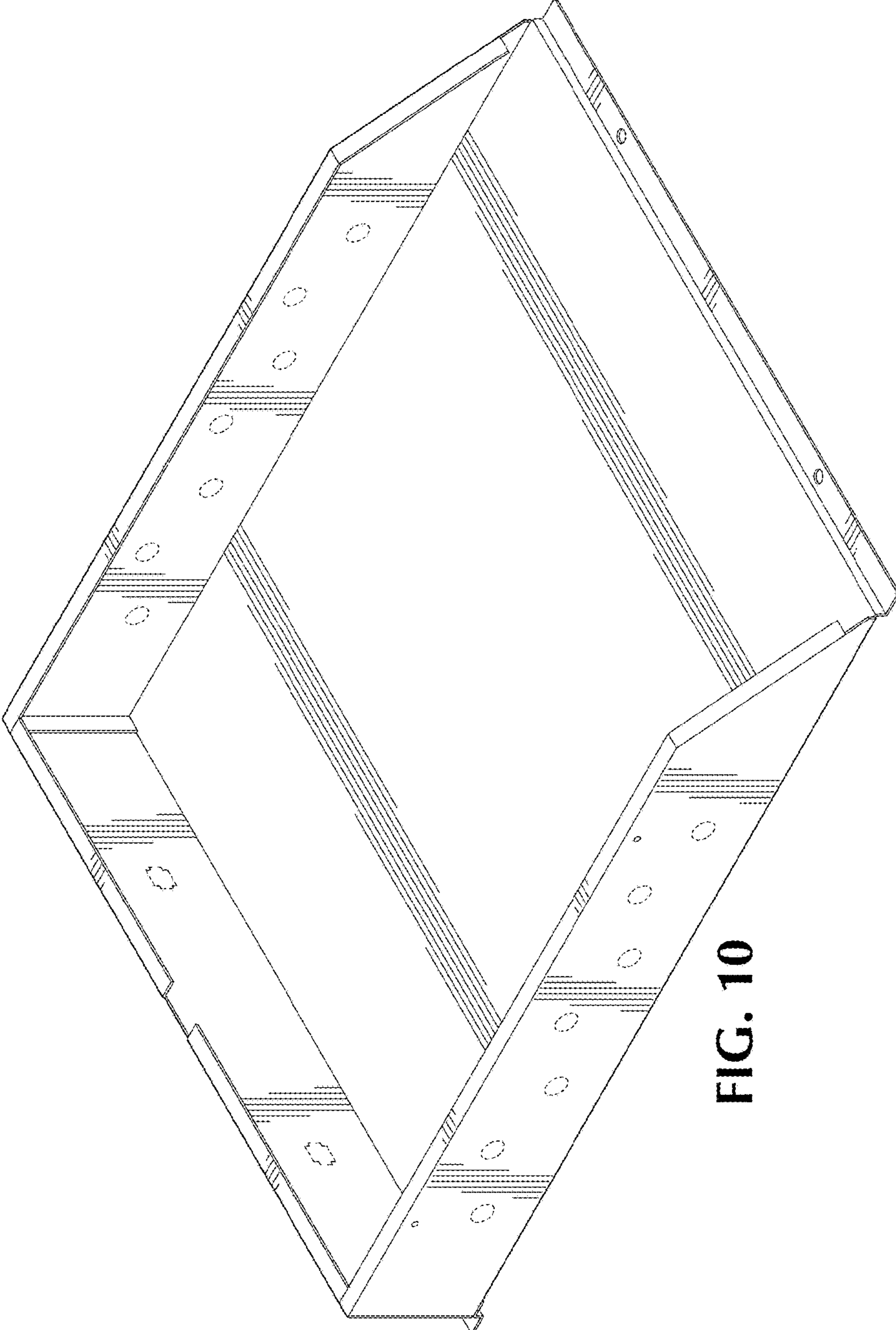


FIG. 10

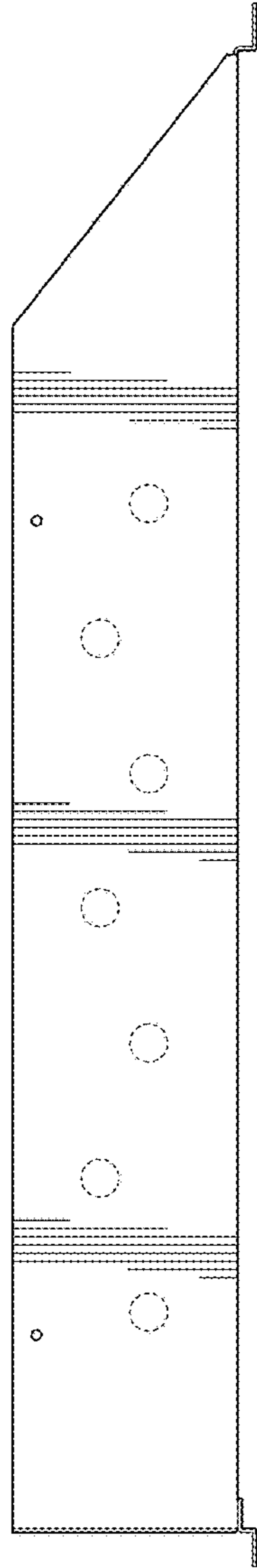


FIG. 11

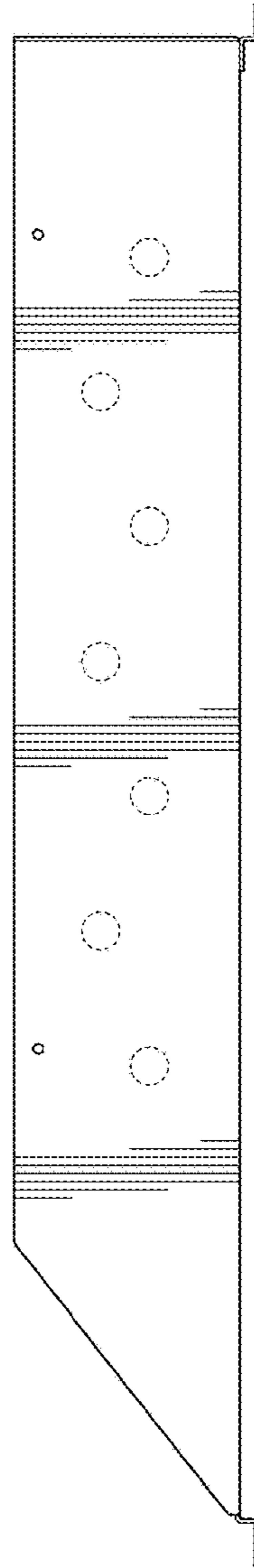


FIG. 12

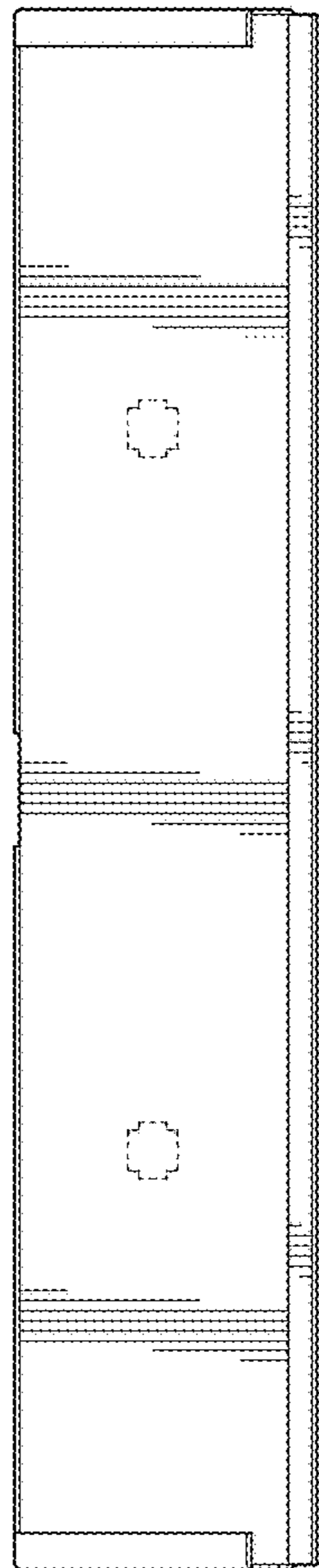


FIG. 13

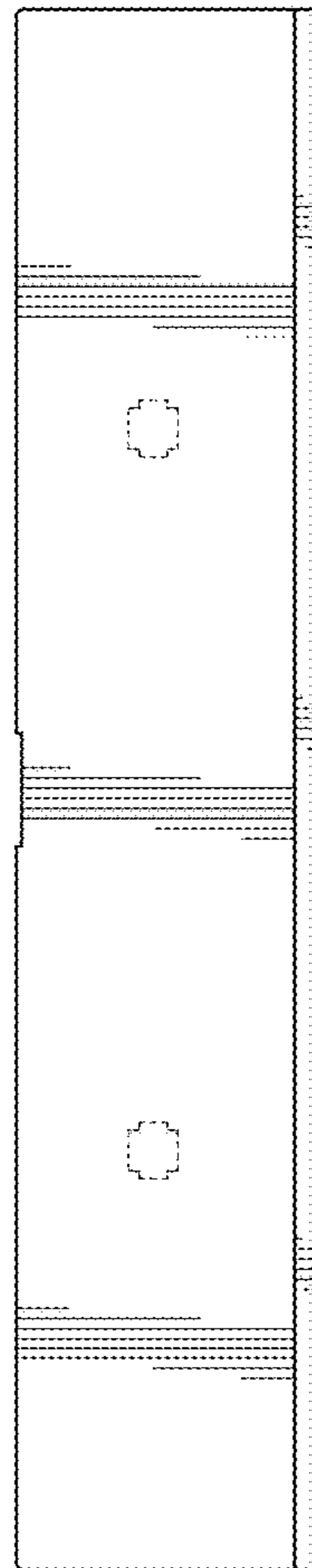


FIG. 14

FIG. 15

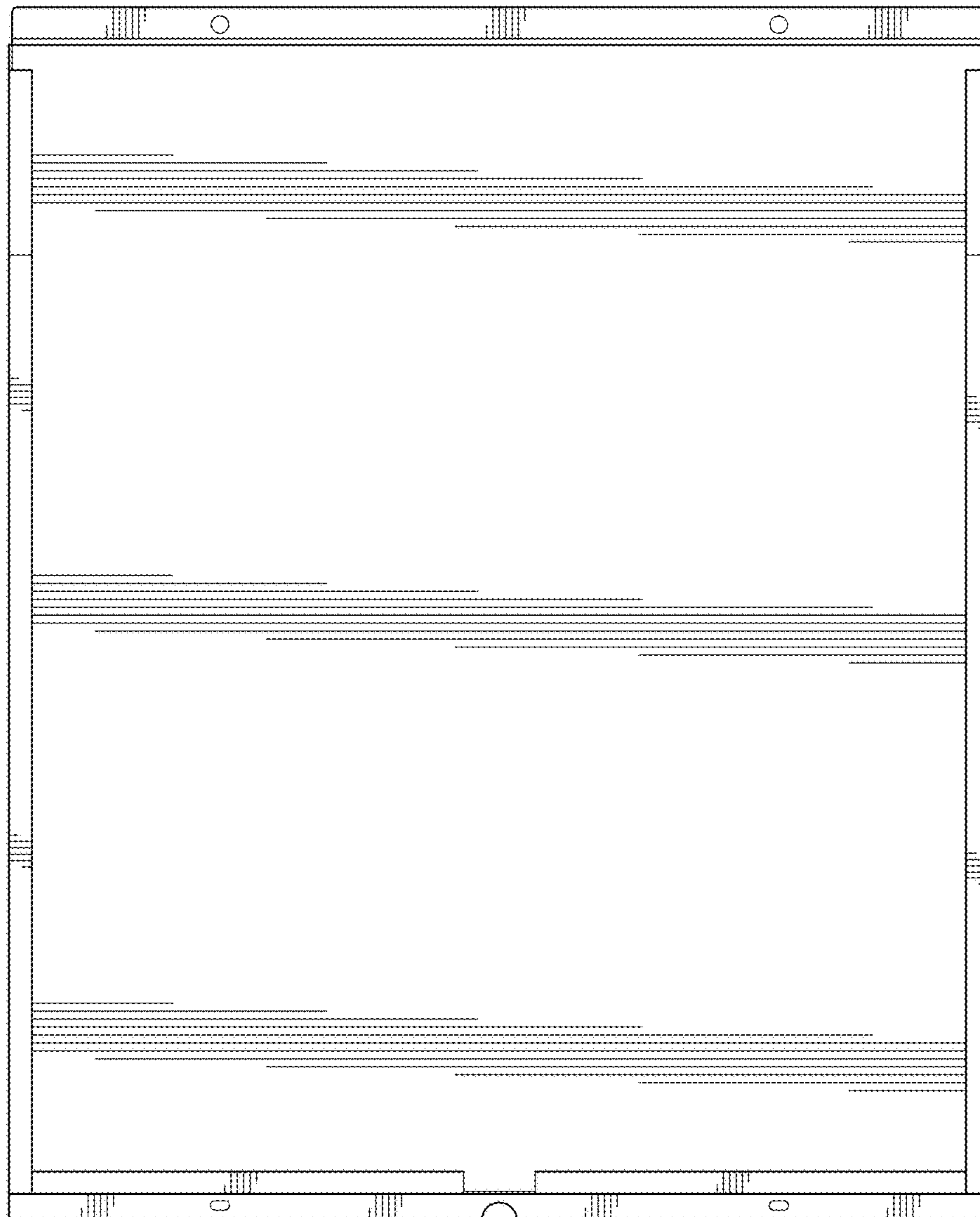
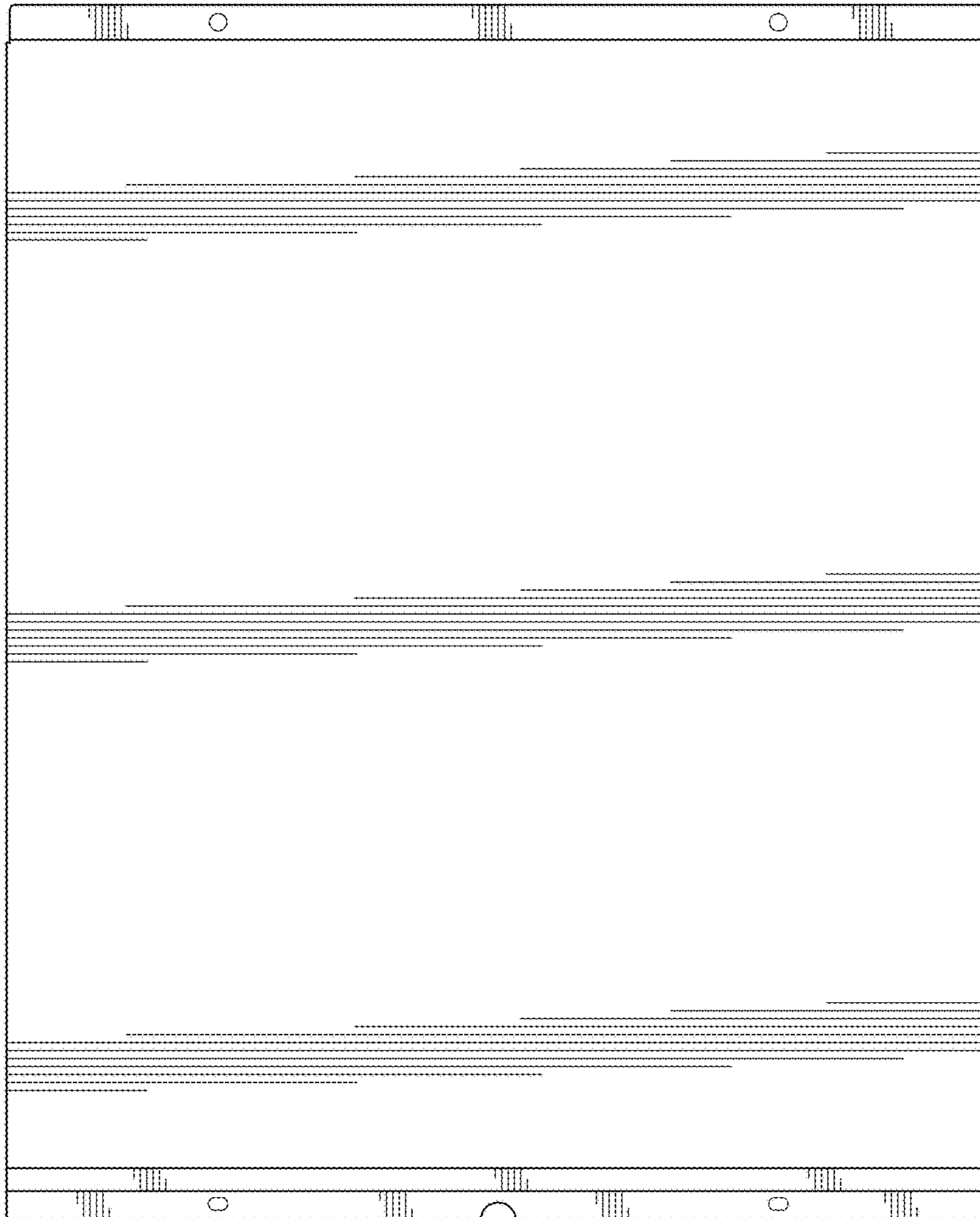


FIG. 16



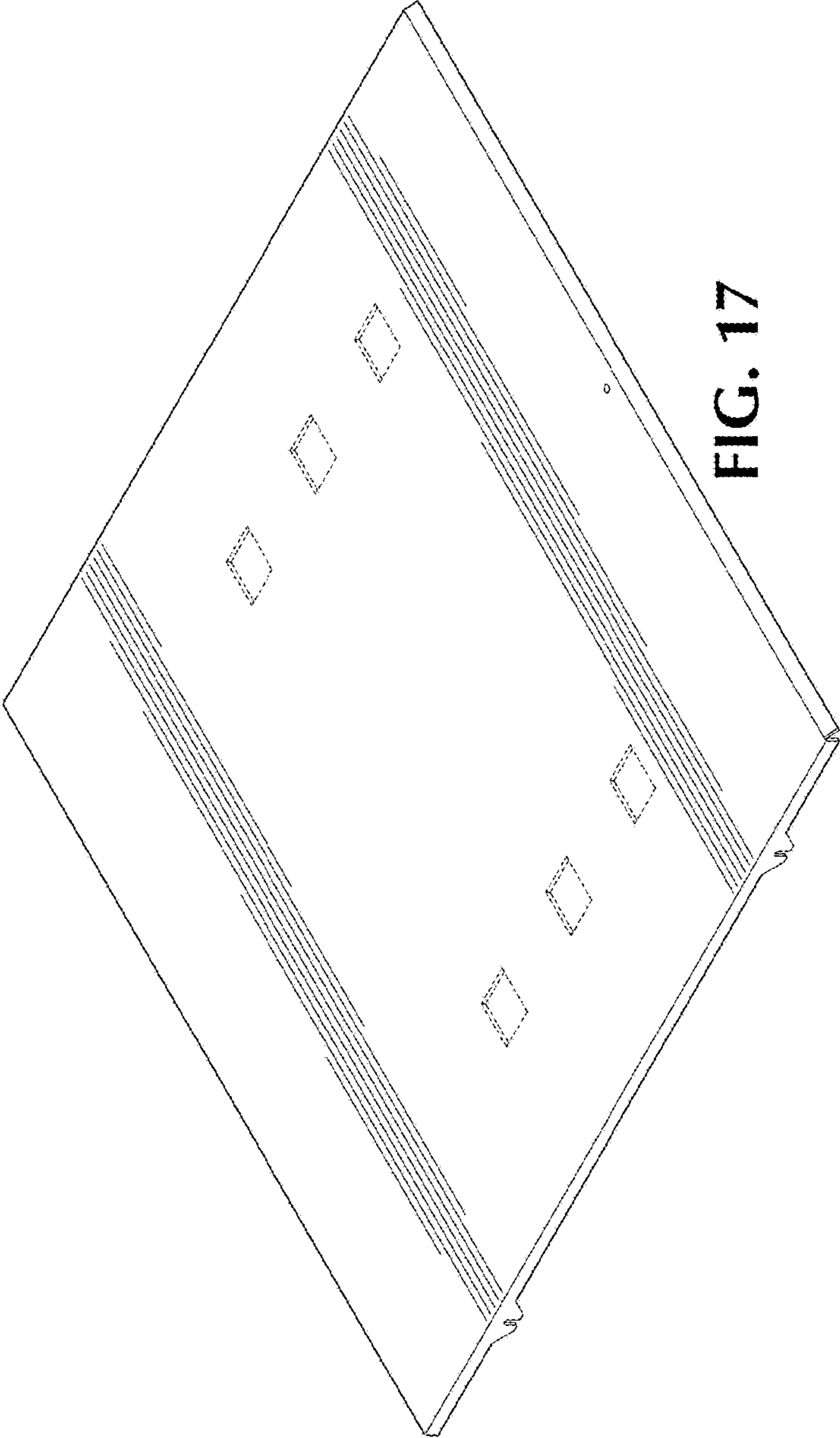


FIG. 17

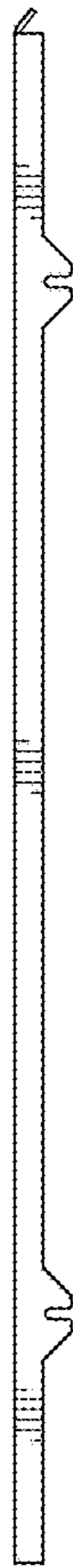


FIG. 18



FIG. 19

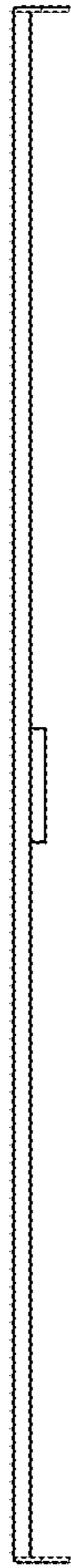


FIG. 20

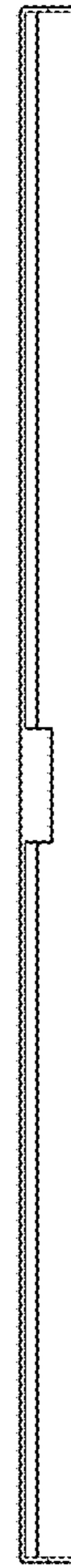


FIG. 21

FIG. 22

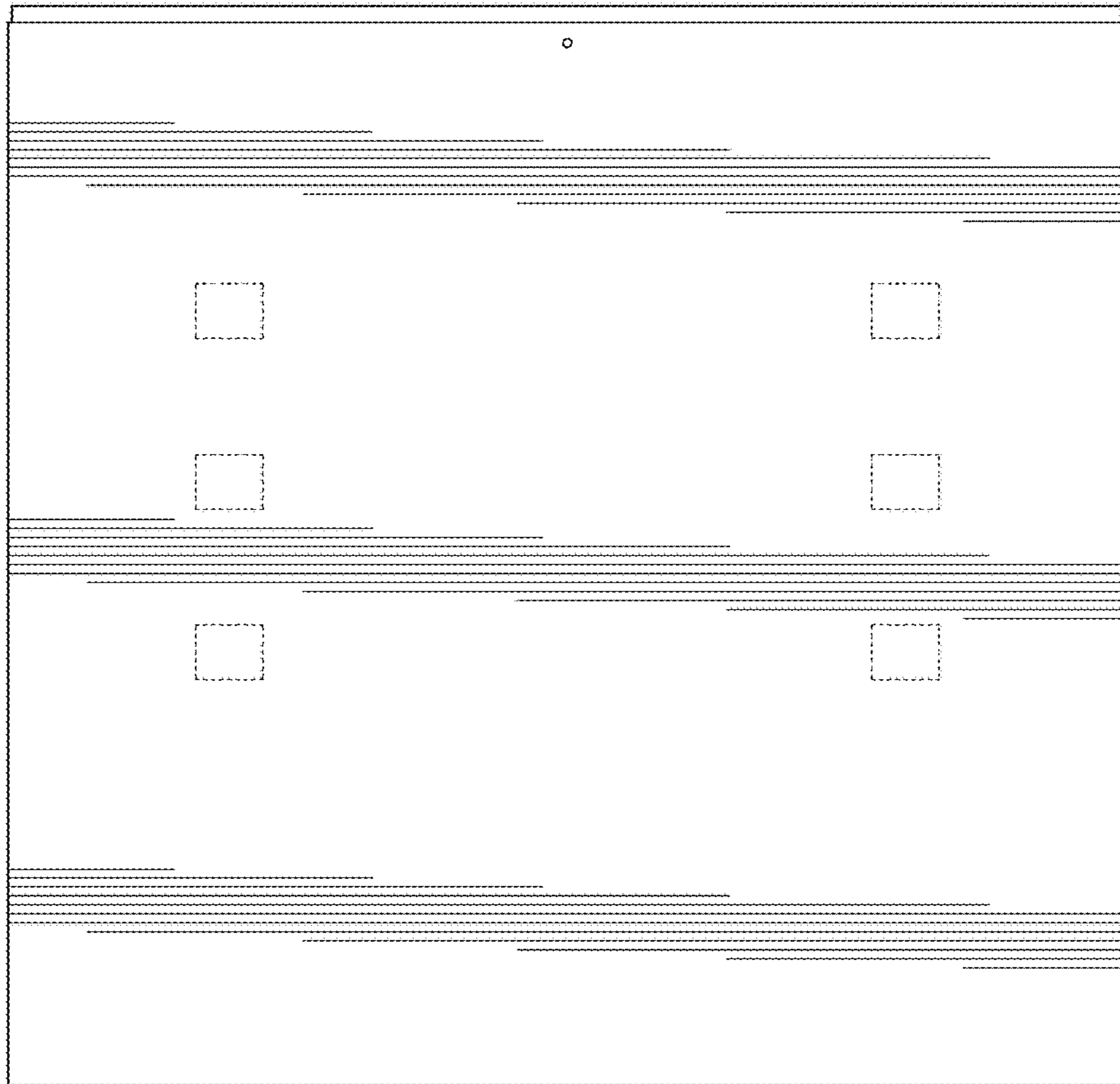
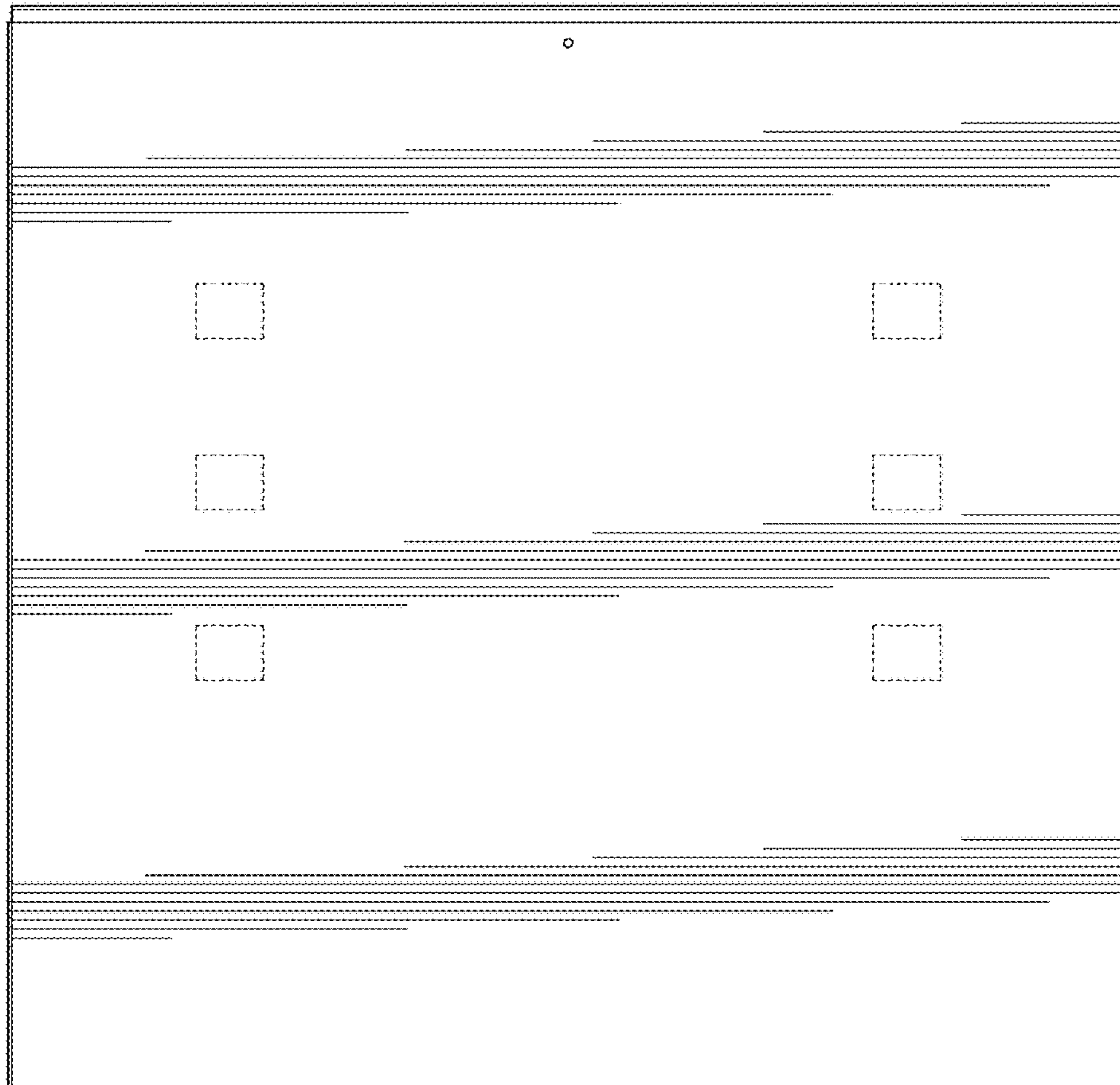


FIG. 23



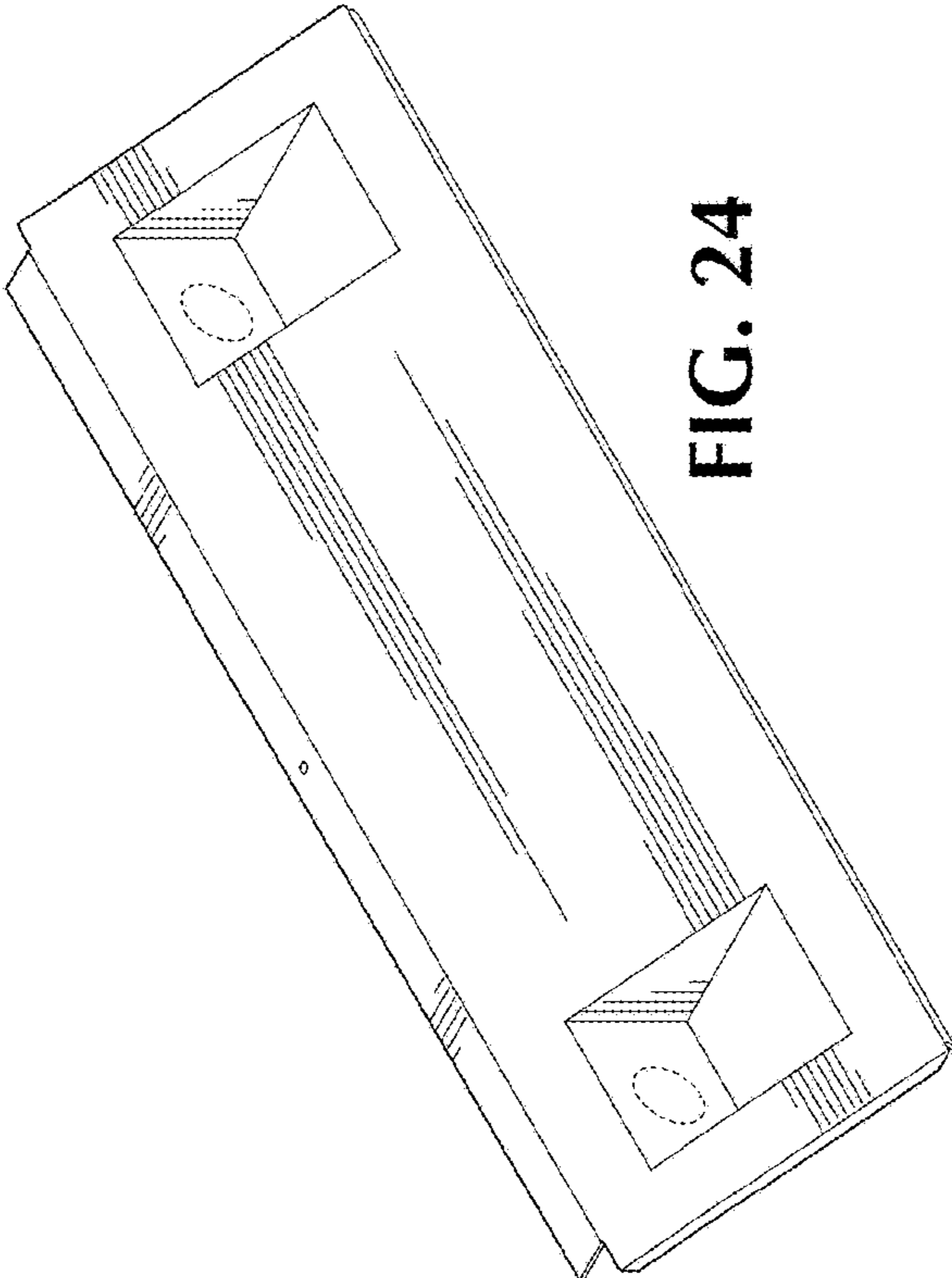


FIG. 24

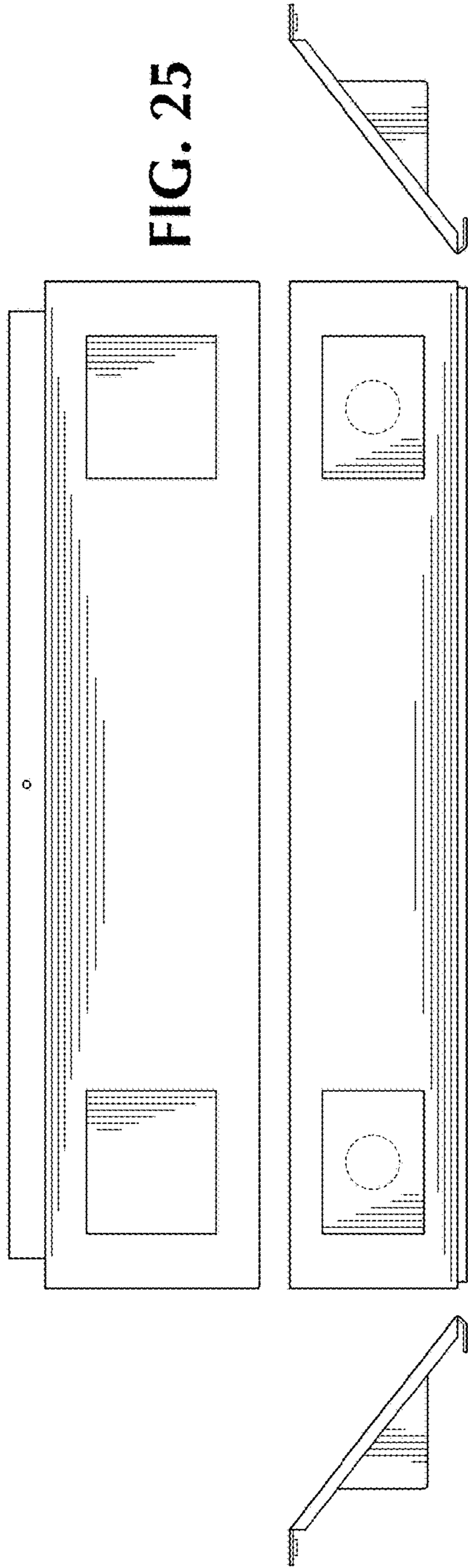


FIG. 27

