



US00D848055S

(12) **United States Design Patent** (10) **Patent No.:** **US D848,055 S**
Tsai (45) **Date of Patent:** **** *May 7, 2019**

(54) **LAMP BASE**
(71) Applicant: **Tsung-Han Tsai**, New Taipei (TW)
(72) Inventor: **Tsung-Han Tsai**, New Taipei (TW)
(*) Notice: This patent is subject to a terminal disclaimer.
(**) Term: **15 Years**
(21) Appl. No.: **29/606,241**
(22) Filed: **Jun. 2, 2017**
(51) **LOC (11) Cl.** **26-06**
(52) **U.S. Cl.**
USPC **D26/138**
(58) **Field of Classification Search**
USPC D26/76, 78, 79, 80, 81, 82, 83, 85-90,
D26/93, 111, 113, 118, 119, 120, 121,
D26/122, 138, 139, 140, 141, 142, 152
CPC F21S 2/00; F21S 4/00; F21S 4/003; F21S
4/005; F21S 4/006; F21S 4/007; F21S
4/008; F21S 6/00; F21S 8/00; F21S
8/024; F21S 8/026; F21S 8/031; F21S
8/033; F21S 8/035-8/037; F21S 8/04;
F21S 8/043; F21S 8/063
See application file for complete search history.

(56) **References Cited**
U.S. PATENT DOCUMENTS
2,368,740 A * 2/1945 Blomgren A47C 9/04
108/154
D160,084 S * 9/1950 Grossman D26/107
3,215,097 A * 11/1965 Bedol A47B 3/12
108/118
4,423,849 A * 1/1984 Jordan A47G 7/041
135/100

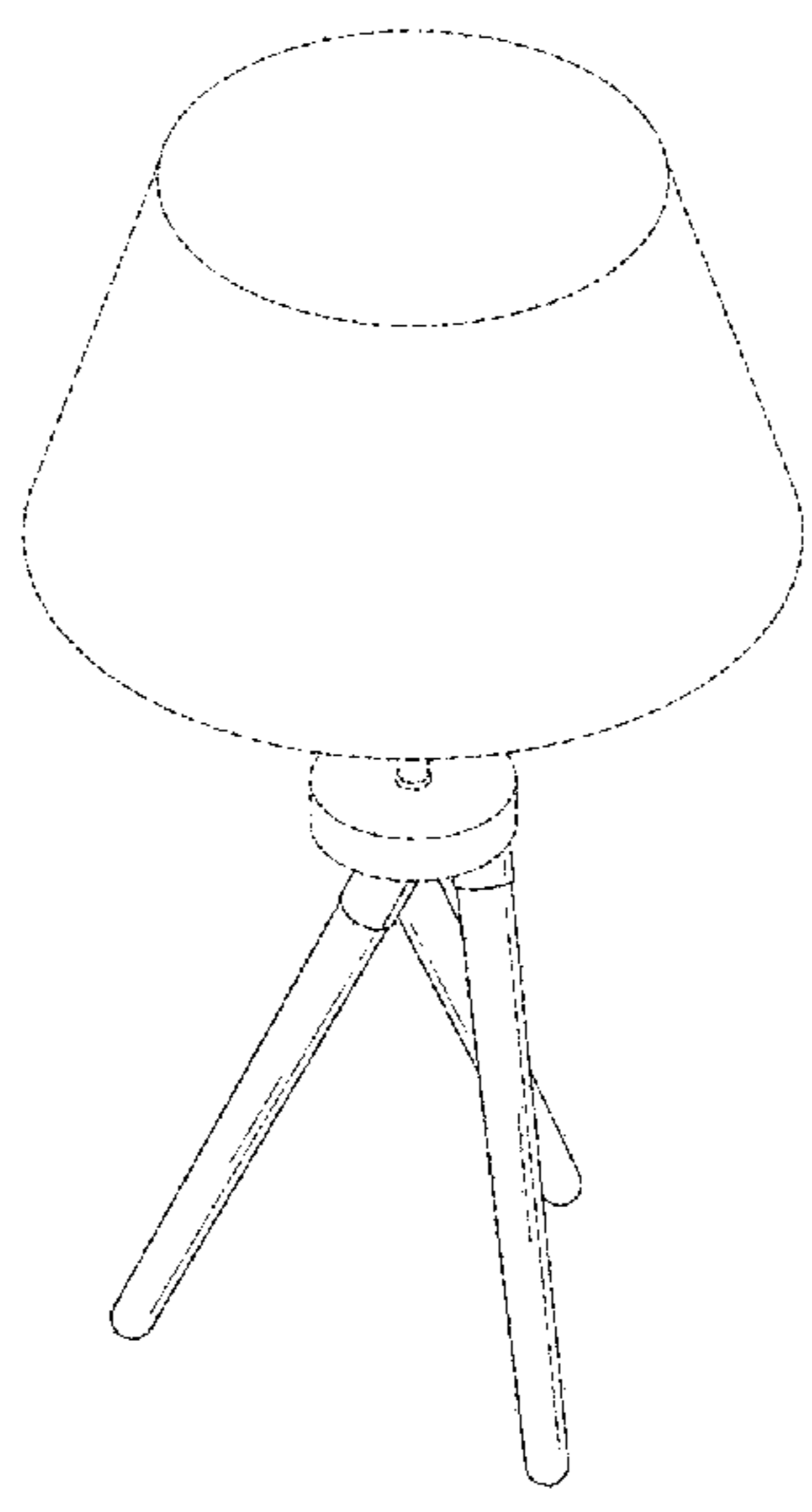
D290,886 S * 7/1987 Meoli D26/138
D310,426 S * 9/1990 Rook D26/138
D318,137 S * 7/1991 Tew D26/110
5,653,531 A * 8/1997 Yang F21V 1/14
D26/111
D397,234 S * 8/1998 Huang D26/93
D420,757 S * 2/2000 Peterson D26/64
D464,768 S * 10/2002 Hsu D26/111
D509,014 S * 8/2005 Bonneville D26/63
D525,833 S * 8/2006 Segal D7/637
D533,578 S * 12/2006 Oka D16/244
D620,491 S * 7/2010 Wu D14/411
D748,844 S * 2/2016 Kern D26/106
D758,484 S * 6/2016 Kim D18/53
D766,879 S * 9/2016 Park D14/211
D778,485 S * 2/2017 Jasper D26/93

* cited by examiner
Primary Examiner — Natasha Vujcic
(74) *Attorney, Agent, or Firm* — Rosenberg, Klein & Lee

(57) **CLAIM**
The ornamental design for a lamp base, as shown and described.

DESCRIPTION
FIG. 1 is a perspective view of a lamp base showing my new design;
FIG. 2 is a front elevation view thereof;
FIG. 3 is a rear elevation view thereof;
FIG. 4 is a left side elevation view thereof;
FIG. 5 is a right side elevation view thereof;
FIG. 6 is a top plan view thereof; and,
FIG. 7 is a bottom plan view thereof.
The broken line portions show unclaimed subject matter only and form no part of the claimed design.

1 Claim, 6 Drawing Sheets



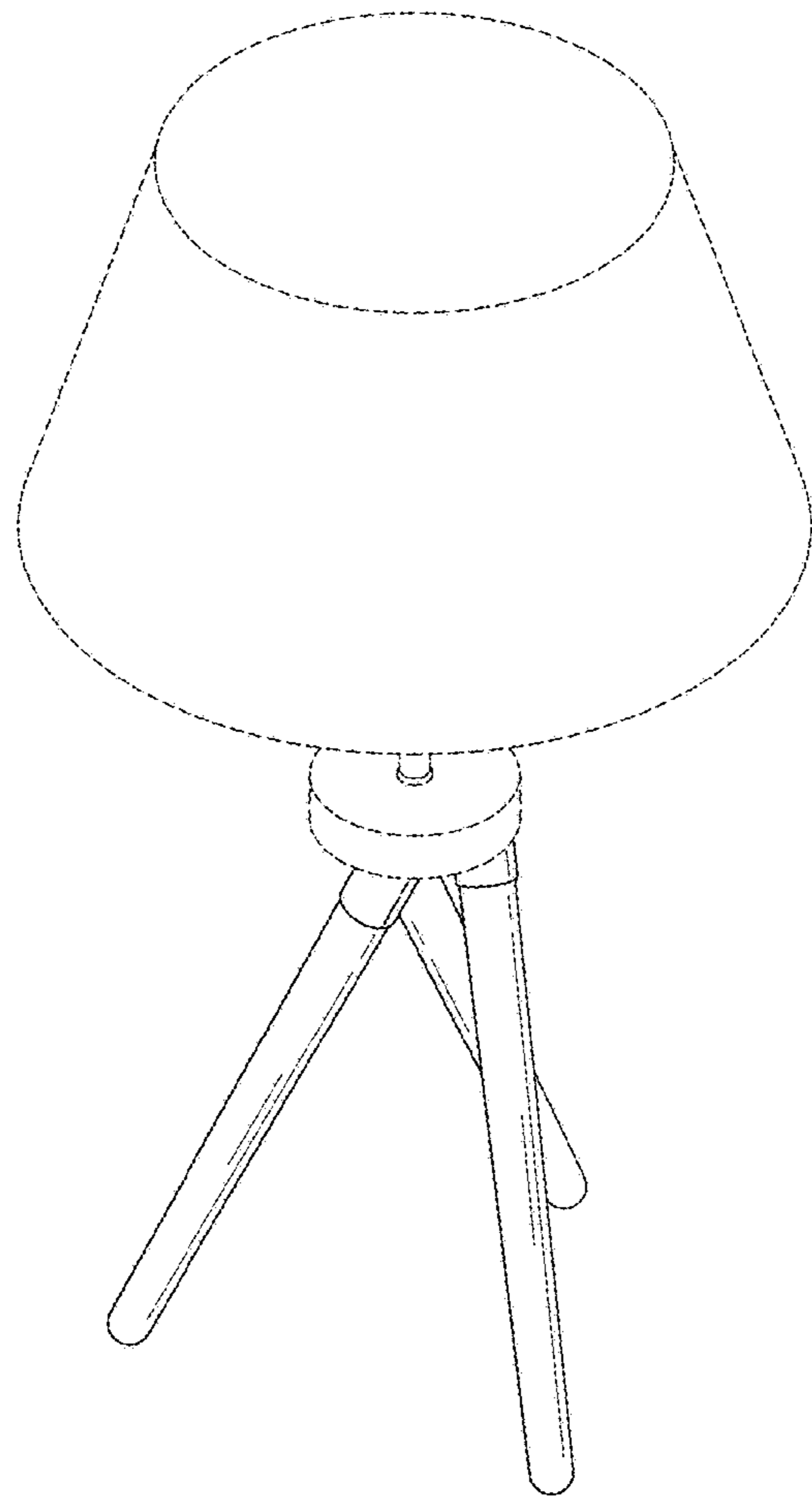


FIG.1

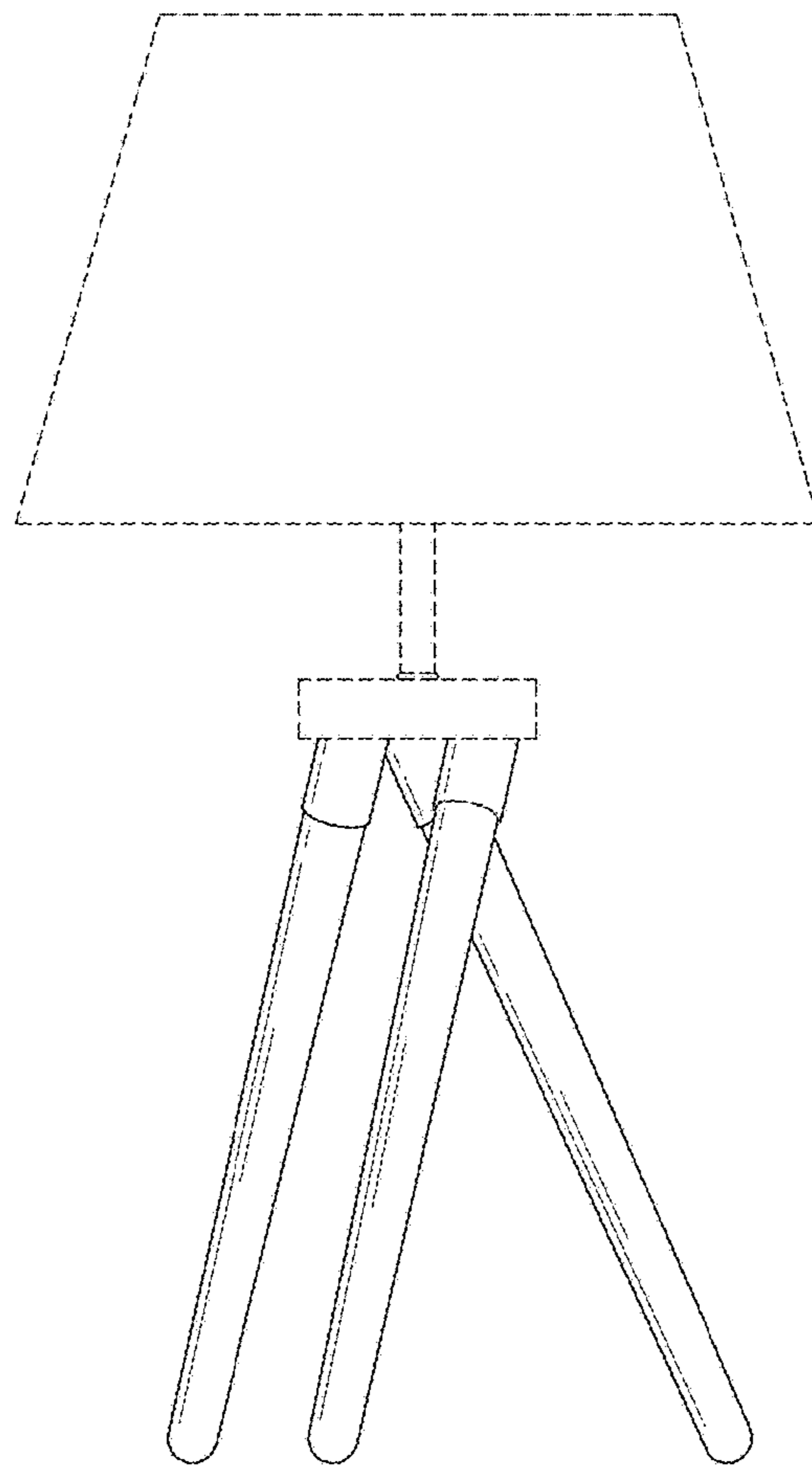


FIG.2

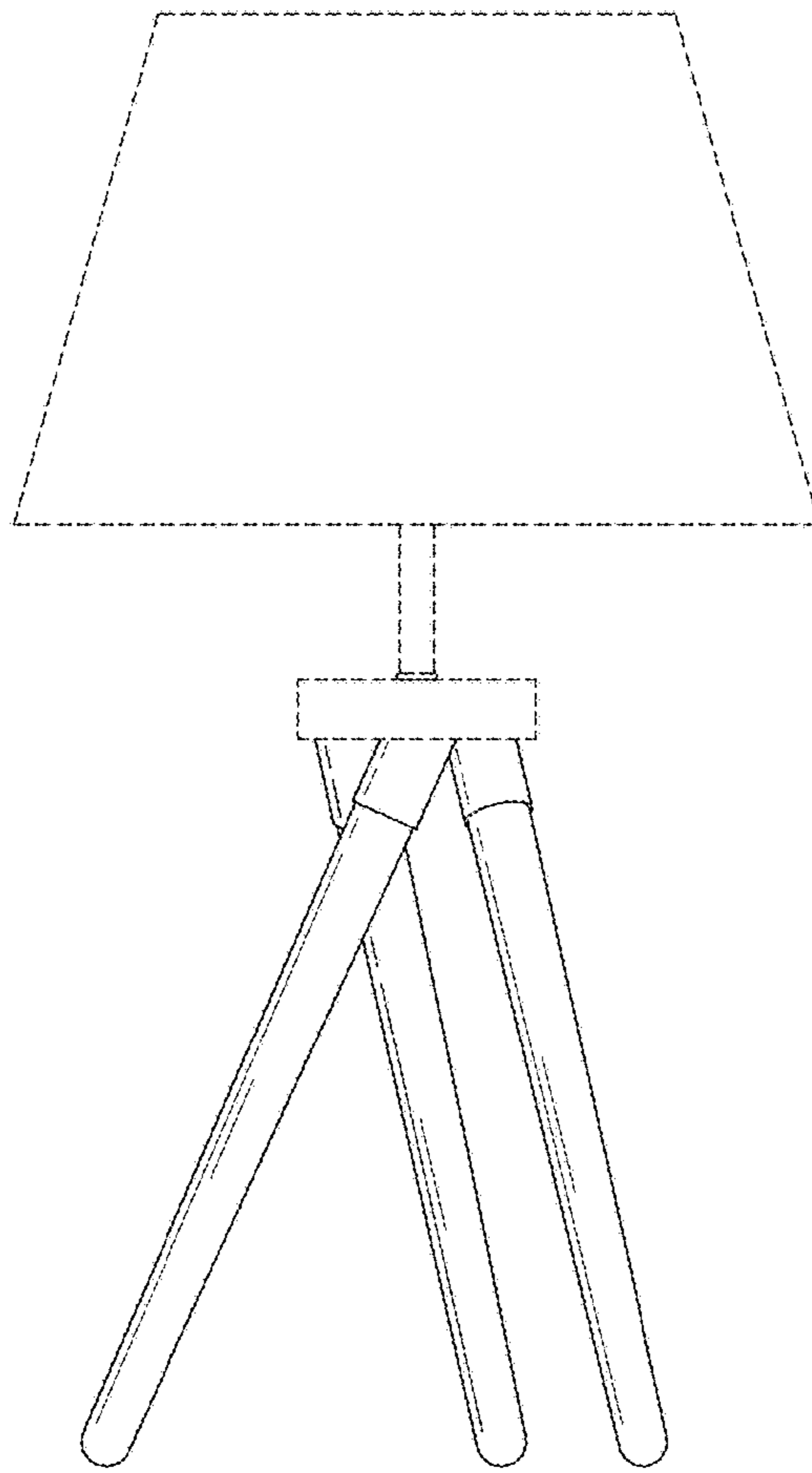


FIG.3

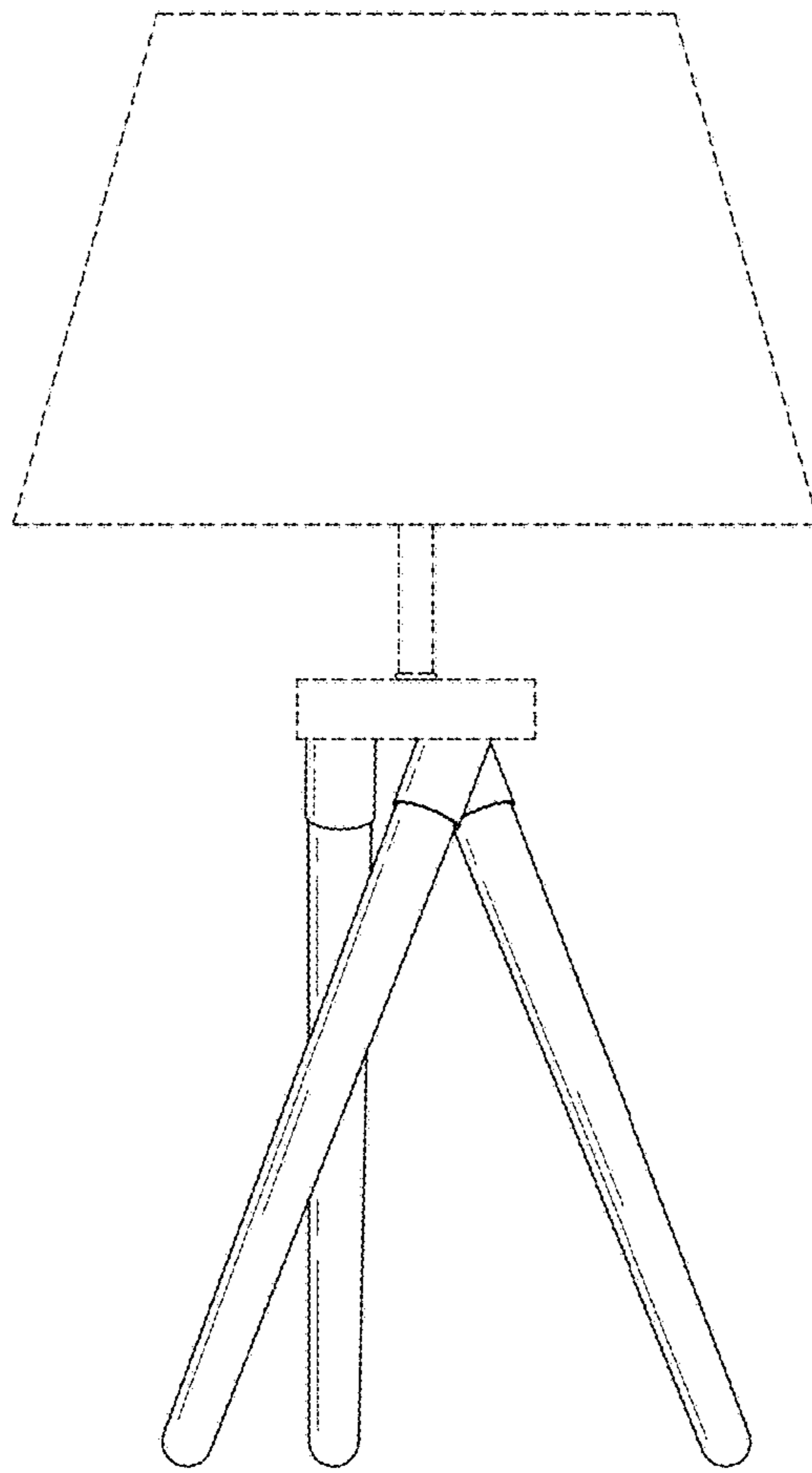


FIG.4

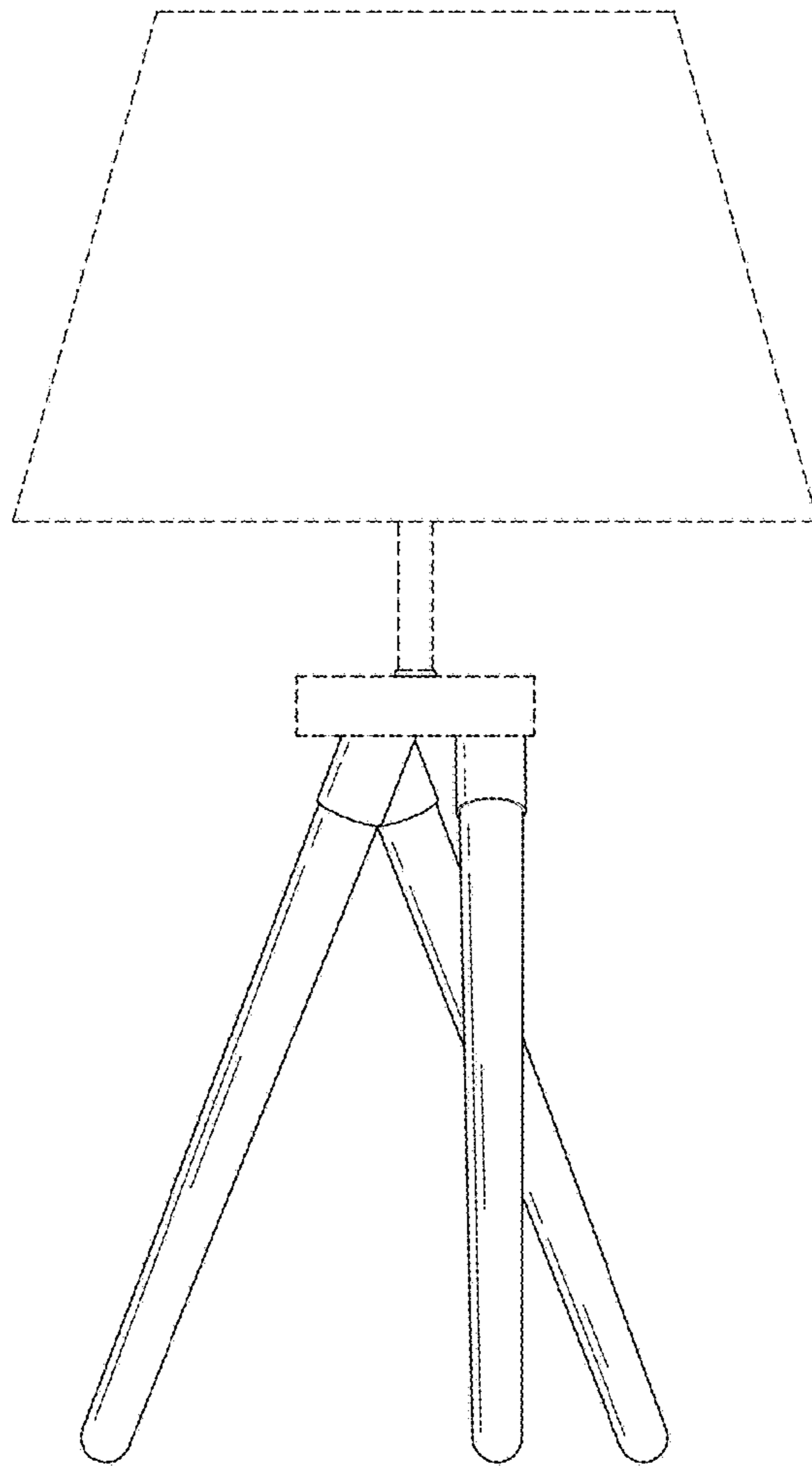


FIG.5

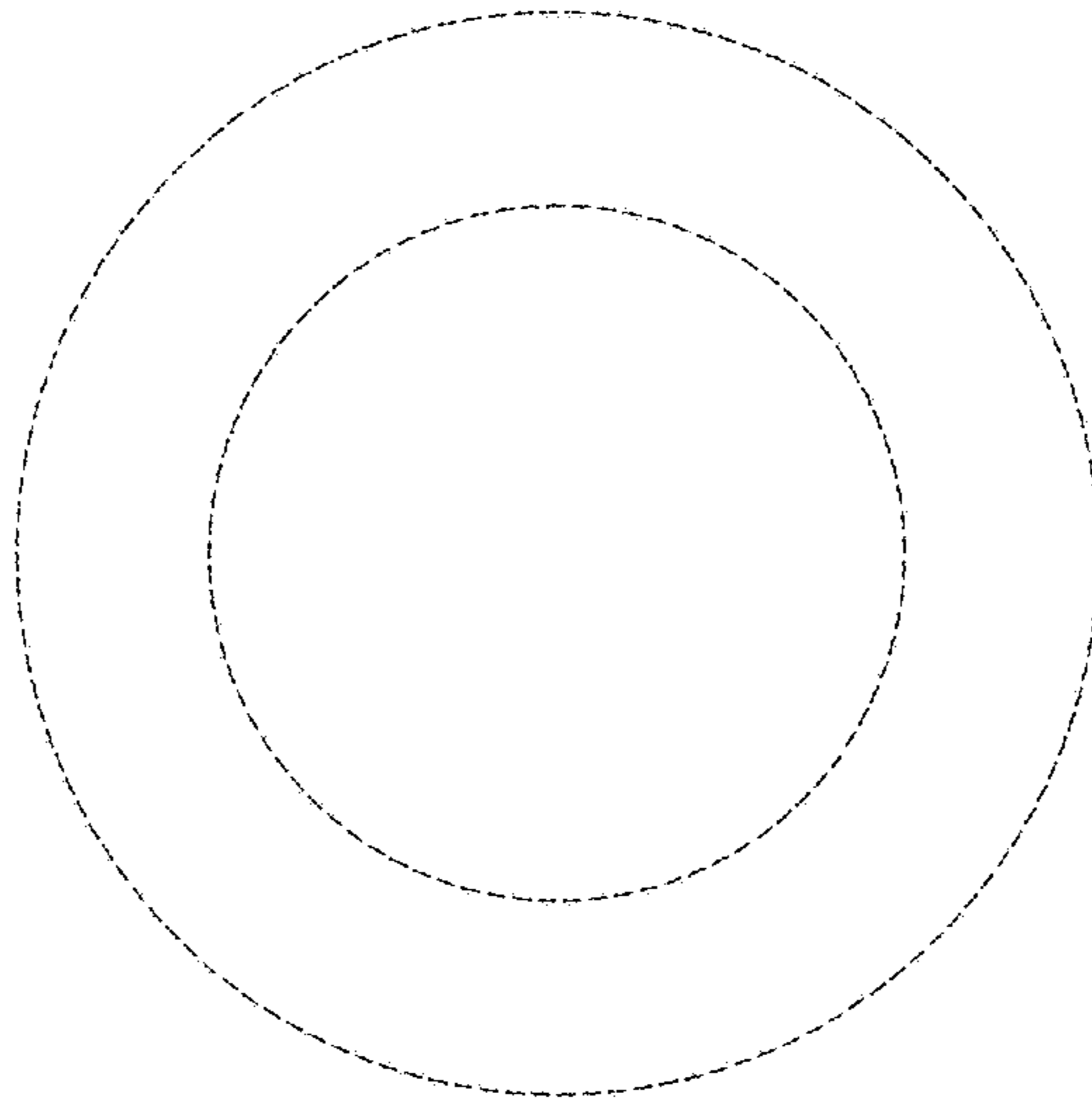


FIG. 6

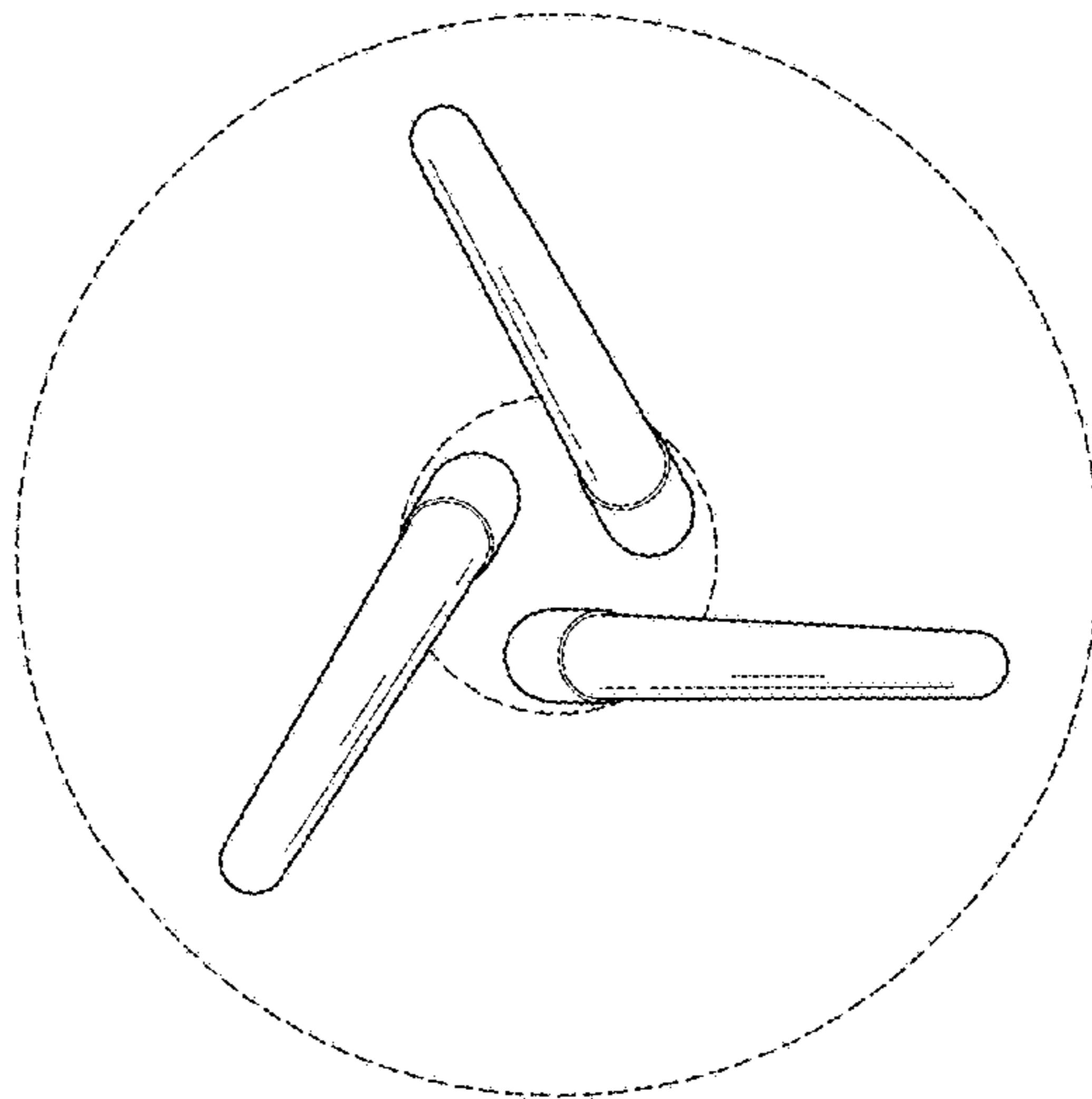


FIG. 7