



US00D848054S

(12) **United States Design Patent**  
**Zhan**

(10) **Patent No.:** **US D848,054 S**

(45) **Date of Patent:** **\*\* May 7, 2019**

- (54) **SPOTLIGHT**
- (71) Applicant: **Fuzhou F&V Photographic Equipment Co., Ltd.**, Fuzhou (Fujian) (CN)
- (72) Inventor: **Qiang Zhan**, Fuzhou (CN)
- (73) Assignee: **Fuzhou F&V Photographic Equipment Co., Ltd.**, Fuzhou (Fujian) (CN)

1,944,154 A \* 1/1934 Dickson ..... F21S 48/2212  
340/815.76  
2,113,829 A \* 4/1938 Condon ..... B60Q 1/2607  
340/815.76  
2,529,701 A \* 11/1950 Maloff ..... G03B 21/625  
156/106

(Continued)

- (\*\*) Term: **15 Years**
- (21) Appl. No.: **29/566,631**
- (22) Filed: **Jun. 1, 2016**

- (51) **LOC (11) Cl.** ..... **26-05**
- (52) **U.S. Cl.**  
USPC ..... **D26/118**

- (58) **Field of Classification Search**  
USPC ... D26/2, 20, 27, 30, 31, 32, 24, 25, 35, 36,  
D26/42, 46, 55, 61, 69, 70, 71, 76, 72,  
D26/85, 113, 78, 80, 88, 89, 101, 110,  
D26/109, 118-120, 123, 124, 127, 128,  
D26/130, 133, 134, 138, 139; D11/144;  
D12/114; D6/302, 309  
CPC ..... F21S 48/1154; F21S 48/1233; F21S  
48/2212; F21S 48/328; F21S 8/003; F21S  
8/026; F21S 10/007; F21V 33/006; F21V  
15/01; F21V 29/004; F21V 29/006; F21V  
29/51; F21V 3/04; F21V 17/002; F21V  
5/007; F21V 9/16; F21L 4/025; F16M  
11/28; B60Q 1/2607; G03B 21/625;  
G02B 6/08; G02B 3/08; G02B 5/0278;  
G06F 3/044; H01L 51/5275; H01L  
33/508; H05B 37/0272; A61B 1/0011  
See application file for complete search history.

(56) **References Cited**

**U.S. PATENT DOCUMENTS**

1,726,460 A \* 8/1929 Upp ..... F21S 48/1233  
362/336

**OTHER PUBLICATIONS**  
"Products>Others: Fresnel Lens, Reticles" Jun. 1, 2005, universaloptics.com.cn, site visied Oct. 2, 2017 <<http://www.universaloptics.com.cn/english/others.htm>> (Year: 2005).\*

(Continued)

*Primary Examiner* — Kevin K Rudzinski  
*Assistant Examiner* — Paul D Bohannon  
(74) *Attorney, Agent, or Firm* — Greenberg Traurig, LLP

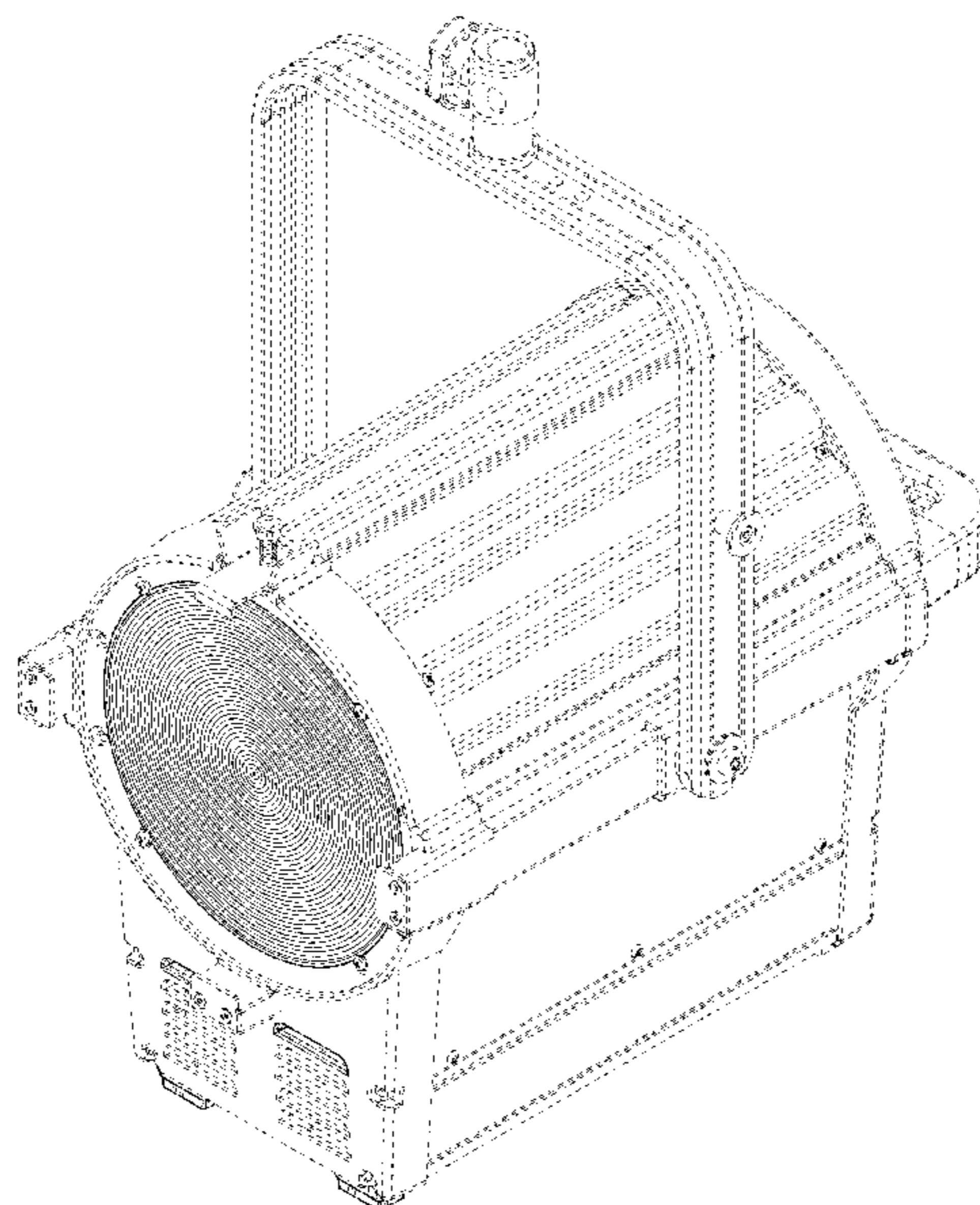
(57) **CLAIM**

The ornamental design for a spotlight, as shown and described.

**DESCRIPTION**

FIG. 1 is a perspective view of a spotlight showing my new design;  
FIG. 2 is a left side view of the spotlight shown in FIG. 1;  
FIG. 3 is a right side view of the spotlight shown in FIG. 1;  
FIG. 4 is a front view of the spotlight shown in FIG. 1;  
FIG. 5 is a rear view of the spotlight shown in FIG. 1;  
FIG. 6 is a top view of the spotlight shown in FIG. 1; and,  
FIG. 7 is a bottom view of the spotlight shown in FIG. 1.  
The broken lines showing portions of the body, base, handles, and ventilation slots of the spotlight are included to show features that form no part of the claimed design.

**1 Claim, 7 Drawing Sheets**



(56)

References Cited

U.S. PATENT DOCUMENTS

D240,320 S \* 6/1976 Anderson ..... D26/85  
 D286,578 S \* 11/1986 Krokaugger ..... D26/63  
 D297,171 S \* 8/1988 Parker ..... D26/24  
 D441,483 S \* 5/2001 Schaefer ..... D26/85  
 D442,314 S \* 5/2001 Schaefer ..... D26/85  
 D446,323 S \* 8/2001 Hurayt ..... D26/28  
 D537,972 S \* 3/2007 Mier-Langner ..... D26/61  
 D587,384 S \* 2/2009 Wei ..... D26/2  
 D633,645 S \* 3/2011 Verelst ..... D26/89  
 7,914,162 B1 \* 3/2011 Huang ..... B60L 1/14  
 219/220  
 D656,265 S \* 3/2012 Sabernig ..... D26/88  
 D659,883 S \* 5/2012 Herremans ..... D26/88  
 D699,382 S \* 2/2014 Moller ..... D26/63  
 8,757,840 B2 \* 6/2014 Pickard ..... F21V 7/0008  
 362/249.02  
 8,777,455 B2 \* 7/2014 Pickard ..... F21K 9/233  
 362/241  
 D712,087 S \* 8/2014 Kjaergaard Toft ..... D26/123  
 8,915,610 B2 \* 12/2014 Fujita ..... F21S 8/02  
 362/227  
 D736,993 S \* 8/2015 Wang ..... D26/124  
 9,714,756 B2 \* 7/2017 Morgan ..... F21V 7/0091  
 9,726,362 B2 \* 8/2017 Rosen ..... F21V 29/006  
 9,732,916 B2 \* 8/2017 Fujita ..... F21K 9/278  
 9,733,412 B2 \* 8/2017 Wang ..... G02B 3/08  
 9,739,446 B2 \* 8/2017 Johnson ..... G02B 3/08  
 9,746,153 B2 \* 8/2017 Dijken ..... F21V 3/049  
 9,746,159 B1 \* 8/2017 Fletcher ..... F21V 15/01  
 D797,960 S \* 9/2017 Ding ..... D26/2  
 D797,961 S \* 9/2017 Ding ..... D26/2  
 D797,982 S \* 9/2017 Sonneman ..... D26/88  
 D797,986 S \* 9/2017 Wang ..... D26/120  
 D798,486 S \* 9/2017 Thompson ..... D26/135  
 D798,487 S \* 9/2017 Thompson ..... D26/135  
 9,754,986 B2 \* 9/2017 Takahashi ..... H01L 27/14627  
 9,774,010 B2 \* 9/2017 Okuno ..... H01L 51/5271  
 2001/0012204 A1 \* 8/2001 Sharrah ..... F21L 4/025  
 362/184  
 2004/0120667 A1 \* 6/2004 Aylward ..... G02B 6/08  
 385/115  
 2005/0190550 A1 \* 9/2005 Kennedy ..... F21S 8/003  
 362/157  
 2007/0279921 A1 \* 12/2007 Alexander ..... F21V 15/01  
 362/368  
 2009/0133857 A1 \* 5/2009 Stegmaier ..... F21V 29/004  
 165/104.33  
 2009/0268466 A1 \* 10/2009 Allegri ..... F21S 10/007  
 362/268  
 2010/0321308 A1 \* 12/2010 Lin ..... G06F 3/044  
 345/173  
 2011/0149581 A1 \* 6/2011 Jiang ..... F21V 3/04  
 362/338

2012/0106169 A1 \* 5/2012 Kim ..... H01L 51/5275  
 362/311.02  
 2012/0114323 A1 \* 5/2012 You ..... G02B 3/08  
 396/176  
 2012/0145221 A1 \* 6/2012 Ozaki ..... H01L 31/048  
 136/246  
 2012/0274559 A1 \* 11/2012 Mathai ..... G02B 5/0278  
 345/158  
 2012/0314432 A1 \* 12/2012 Moriyama ..... F21S 8/026  
 362/382  
 2013/0058106 A1 \* 3/2013 Acampora ..... F21V 33/006  
 362/368  
 2013/0077307 A1 \* 3/2013 Yamamoto ..... F21S 8/026  
 362/244  
 2013/0155688 A1 \* 6/2013 LaVigna ..... F21V 21/00  
 362/311.01  
 2013/0208443 A1 \* 8/2013 Pearsall ..... F21V 9/16  
 362/84  
 2013/0223064 A1 \* 8/2013 Lee ..... F21V 29/006  
 362/235  
 2013/0223802 A1 \* 8/2013 Dahmen ..... A61B 1/0011  
 385/115  
 2013/0308329 A1 \* 11/2013 Danner ..... F21S 48/1154  
 362/516  
 2014/0247602 A1 \* 9/2014 Kinzer ..... F21V 17/002  
 362/308  
 2014/0334149 A1 \* 11/2014 Nolan ..... F21V 5/007  
 362/235  
 2015/0103511 A1 \* 4/2015 Miyashita ..... H01L 33/508  
 362/84  
 2015/0103527 A1 \* 4/2015 Chang ..... F21V 29/51  
 362/294  
 2015/0192243 A1 \* 7/2015 Sharrah ..... F16M 11/28  
 362/190  
 2015/0204533 A1 \* 7/2015 Rosen ..... F21V 29/006  
 362/294  
 2016/0146423 A1 \* 5/2016 Lai ..... F21S 48/328  
 362/520  
 2016/0174343 A1 \* 6/2016 Kliegl ..... H05B 37/0272  
 315/129  
 2017/0227190 A1 \* 8/2017 Fujikawa ..... F21V 5/045  
 2017/0261191 A1 \* 9/2017 Kawachi ..... F21V 9/08

OTHER PUBLICATIONS

Maginnis-Honey, Amy. "Bay Bridge history preserved in glass art collection" Jul. 16, 2011, dailyrepublic.com, site visied Oct. 2, 2017 <<http://www.dailyrepublic.com/media-post/benicia-artist-roberr-quarrick/attachment/glass-artist-71311-2/>> (Year: 2011).\*  
 "Round Fresnel Lens" Dec. 8, 2010, usglassmanufacturer.com, site visited Jan. 5, 2018 <<http://www.usglassmanufacturer.com/products/fresnel-lenses/fresnel625.aspx>> (Year: 2010).\*

\* cited by examiner

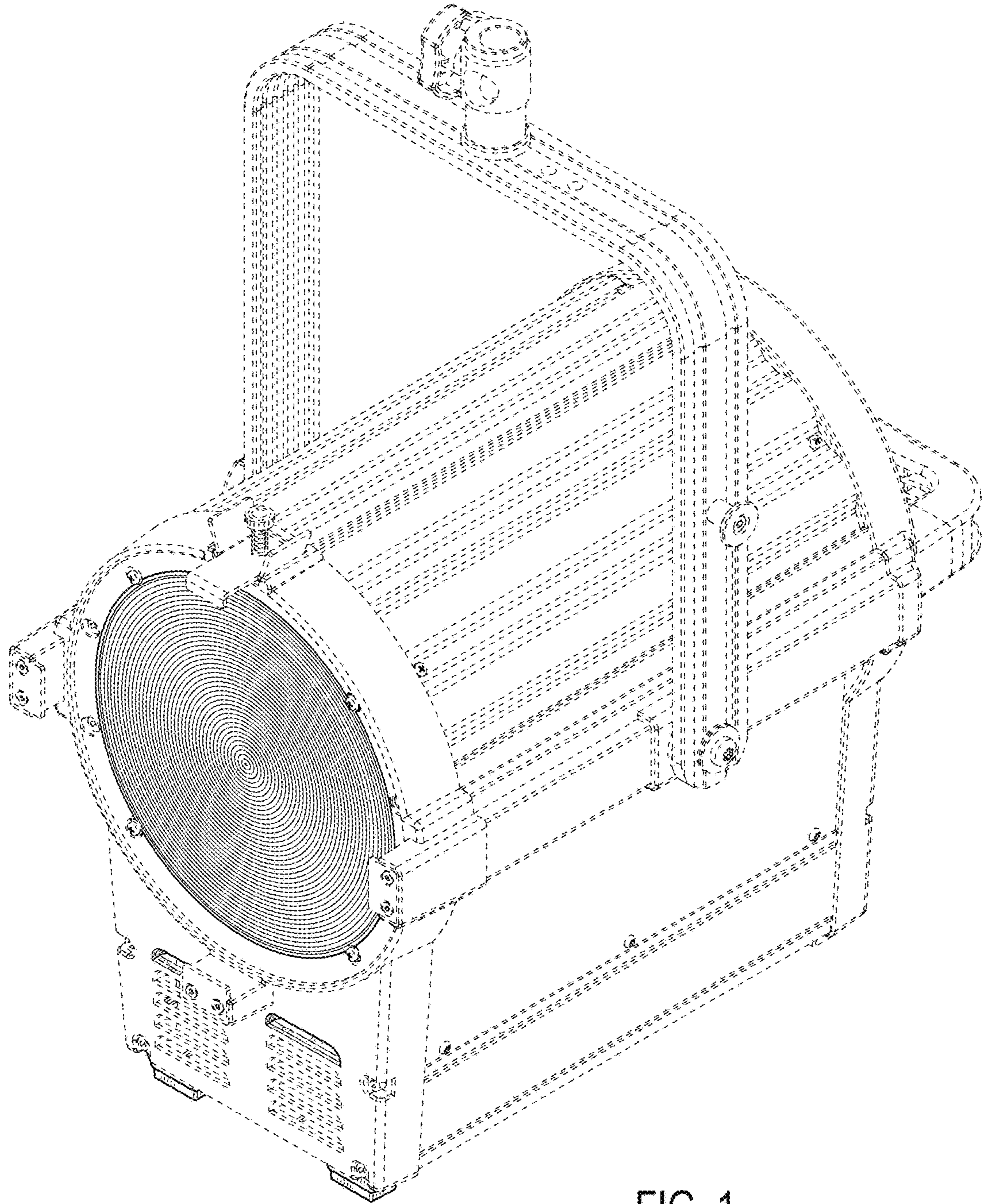


FIG. 1

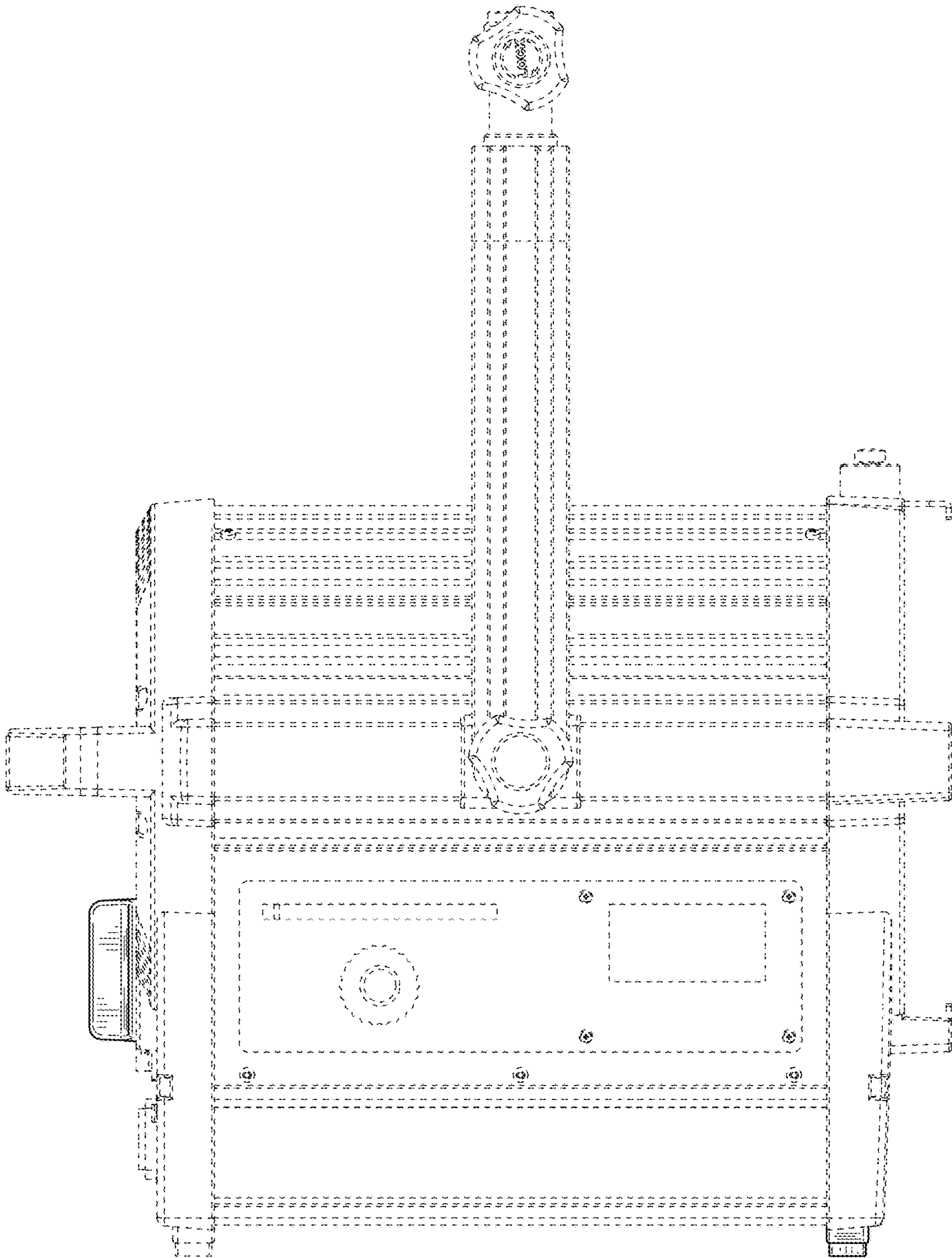


FIG. 2

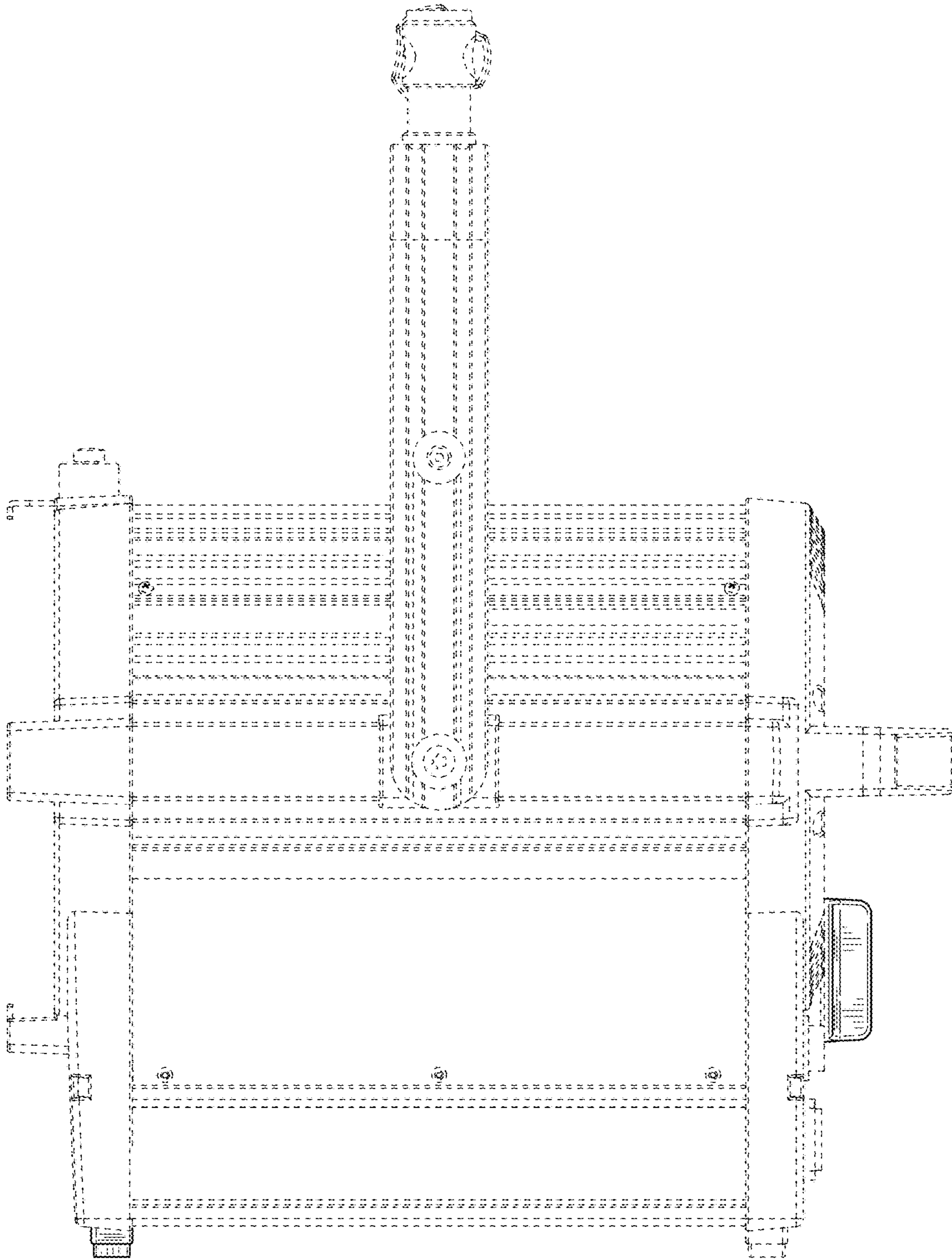


FIG. 3

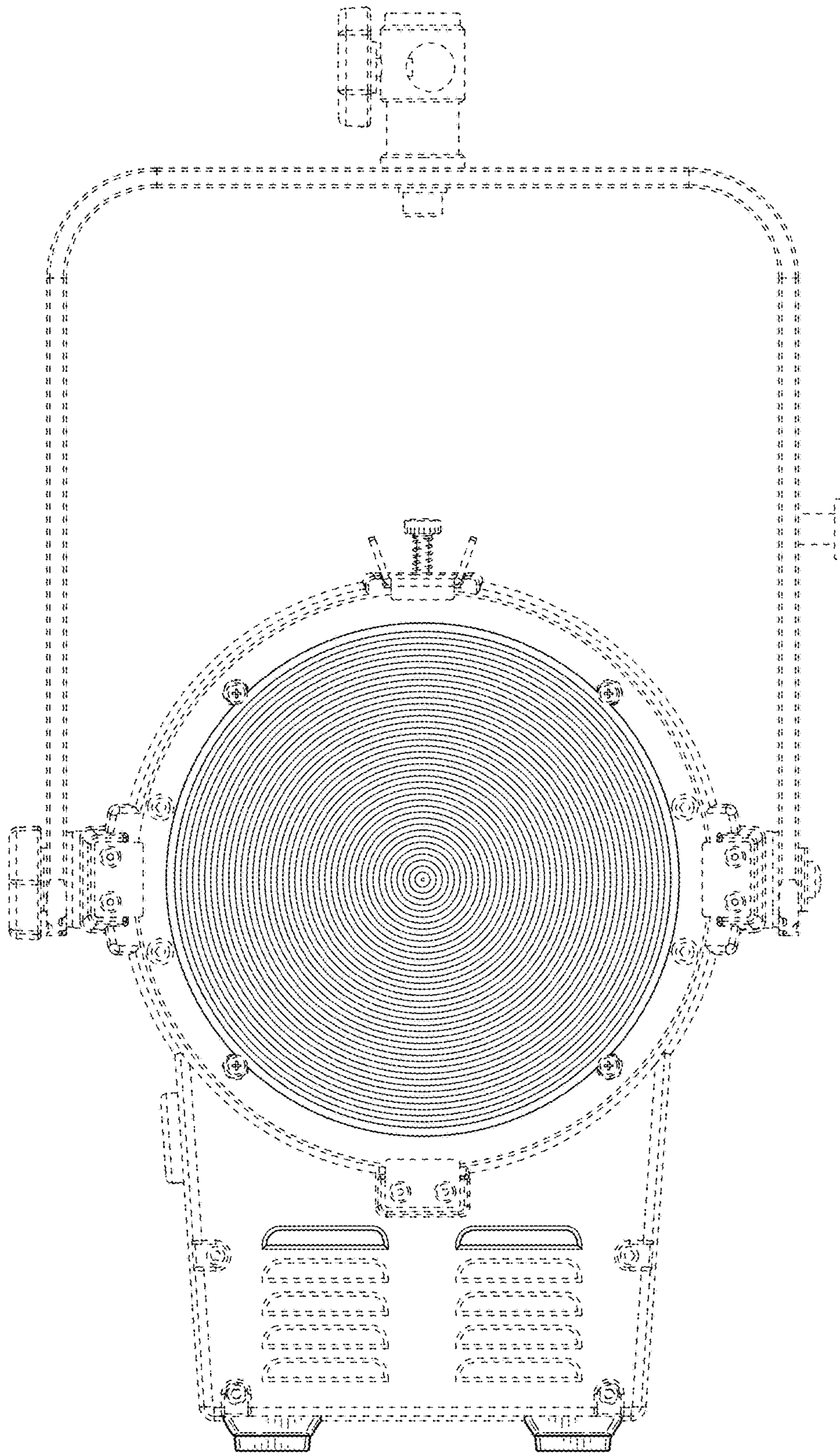


FIG. 4

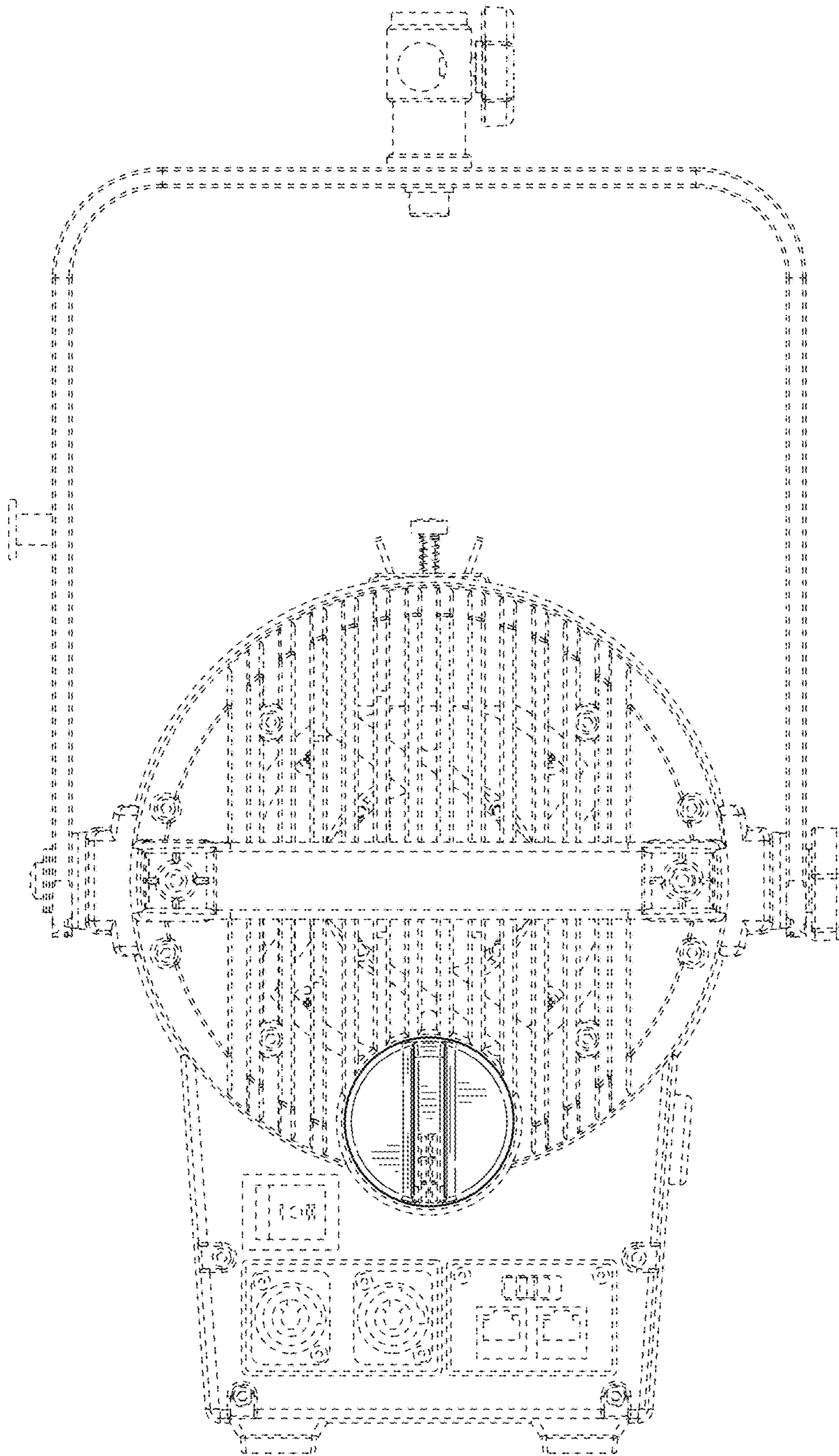


FIG. 5

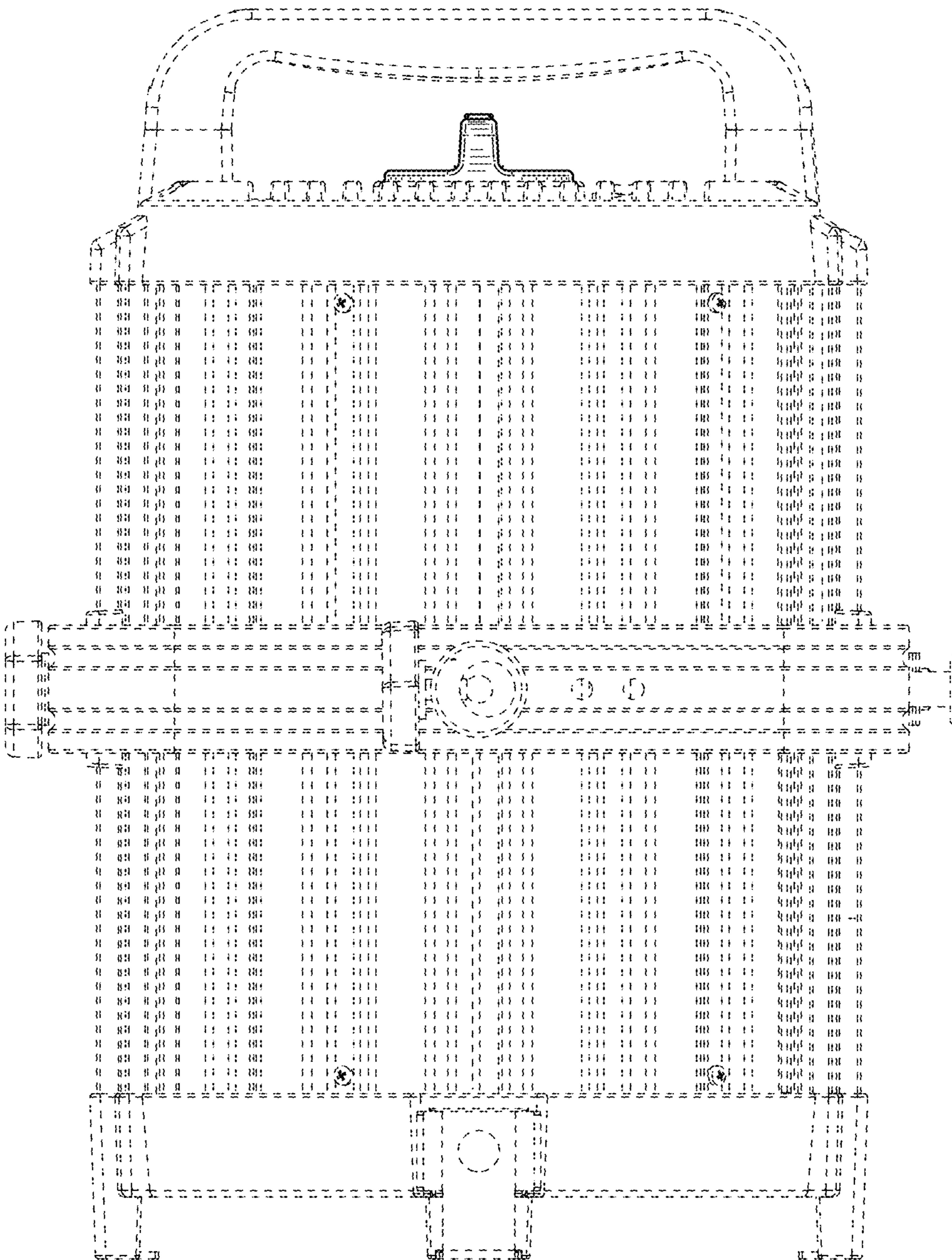


FIG. 6



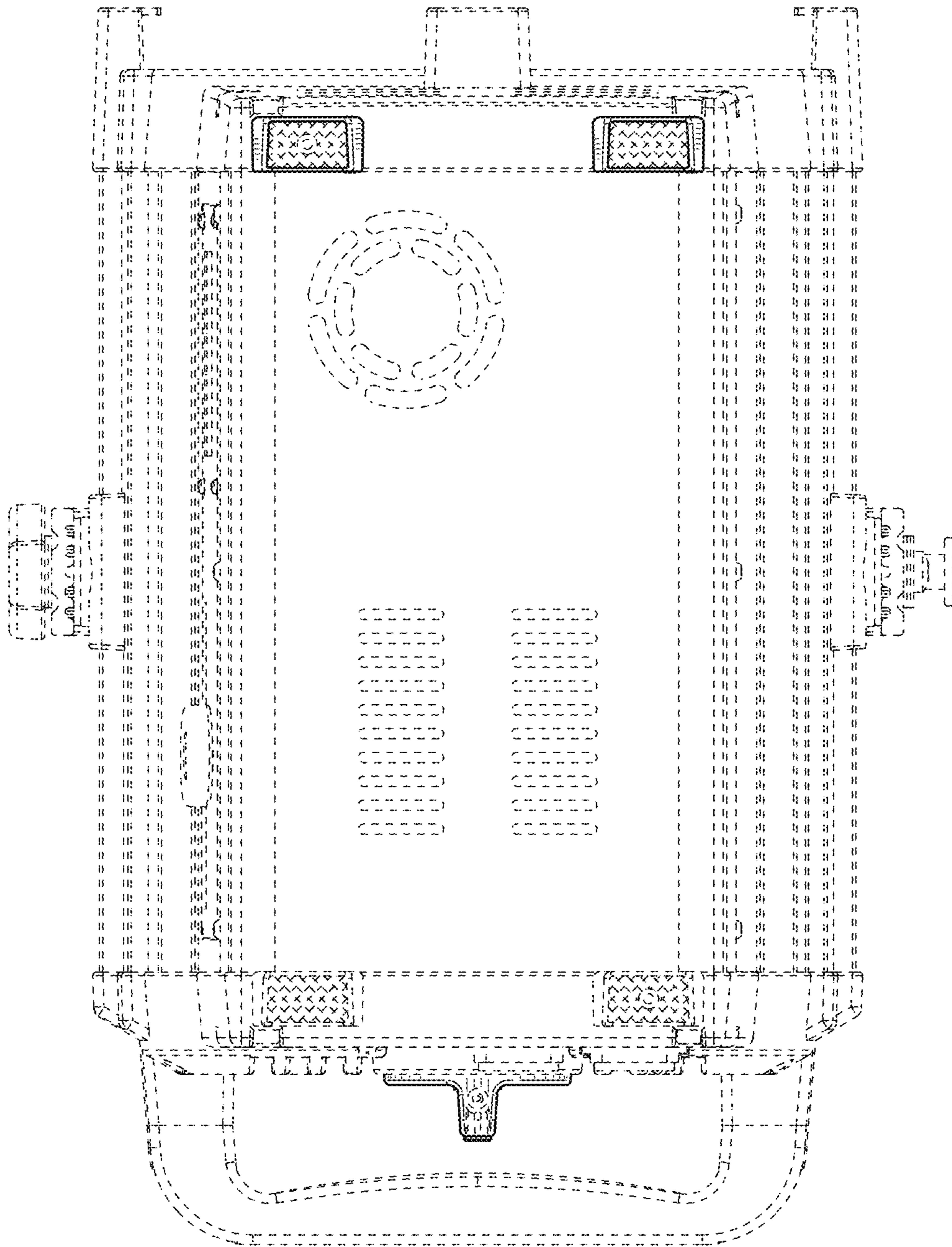


FIG. 7