



US00D848051S

(12) **United States Design Patent**  
**Huang**

(10) **Patent No.:** **US D848,051 S**

(45) **Date of Patent:** **\*\* May 7, 2019**

(54) **STARLIGHT LAMP**

(71) Applicant: **Youcai Huang**, Shantou (CN)

(72) Inventor: **Youcai Huang**, Shantou (CN)

(\*\*) Term: **15 Years**

(21) Appl. No.: **29/644,745**

(22) Filed: **Apr. 20, 2018**

(51) **LOC (11) Cl.** ..... **26-03**

(52) **U.S. Cl.**

USPC ..... **D26/104**

(58) **Field of Classification Search**

USPC ..... D26/1, 4, 24, 27, 51, 93, 94, 104, 106,  
D26/112; D11/131, 157, 184, 121, 125

CPC .. A63H 13/00; F21S 6/00; F21S 6/002; F21S  
10/00; F21V 3/00; F21V 3/0418; F21V  
15/00; F21V 21/02; F21V 31/00; F21W  
2121/00; F21W 2131/30

See application file for complete search history.

(56) **References Cited**

**U.S. PATENT DOCUMENTS**

D322,489 S \* 12/1991 Parker ..... D26/104

D393,016 S \* 3/1998 Young ..... D11/131

D395,715 S \* 6/1998 Queen ..... D26/24

D402,392 S \* 12/1998 Huang ..... D26/112

D404,681 S \* 1/1999 Galerneau ..... D11/121

D476,095 S \* 6/2003 Baarman ..... D26/2

D757,988 S \* 5/2016 Chang ..... D26/104

D829,961 S \* 10/2018 Lin ..... D26/104

\* cited by examiner

*Primary Examiner* — Brian N. Vinson

(74) *Attorney, Agent, or Firm* — W&K IP

(57) **CLAIM**

The ornamental design for a starlight lamp, as shown and described.

**DESCRIPTION**

FIG. 1 is a perspective view of a starlight lamp;

FIG. 2 is a front view thereof;

FIG. 3 is a back view thereof;

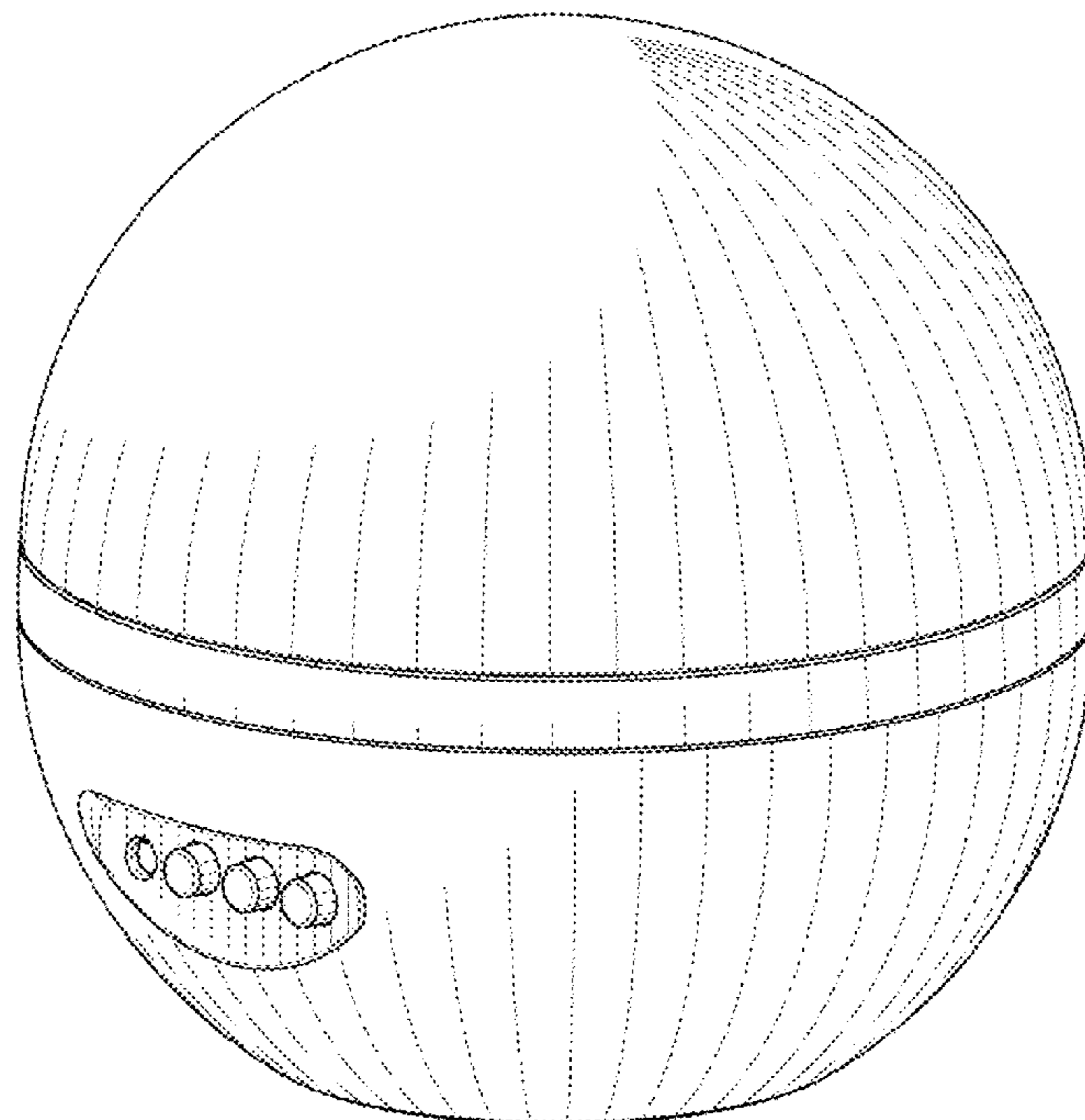
FIG. 4 is a left side view thereof;

FIG. 5 is a right side view thereof;

FIG. 6 is a top plan view thereof; and,

FIG. 7 is a bottom plan view thereof.

**1 Claim, 7 Drawing Sheets**



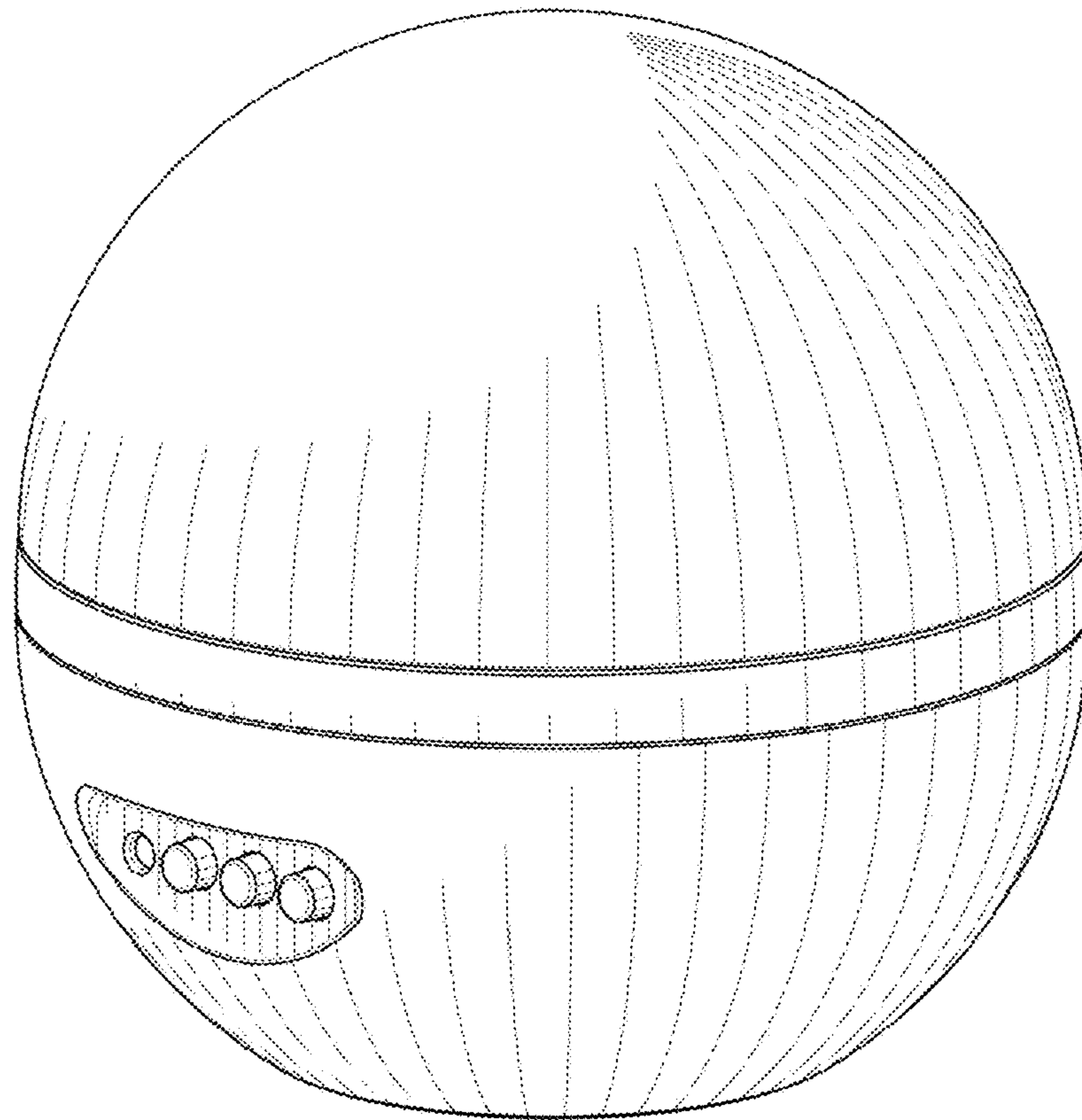


Fig. 1

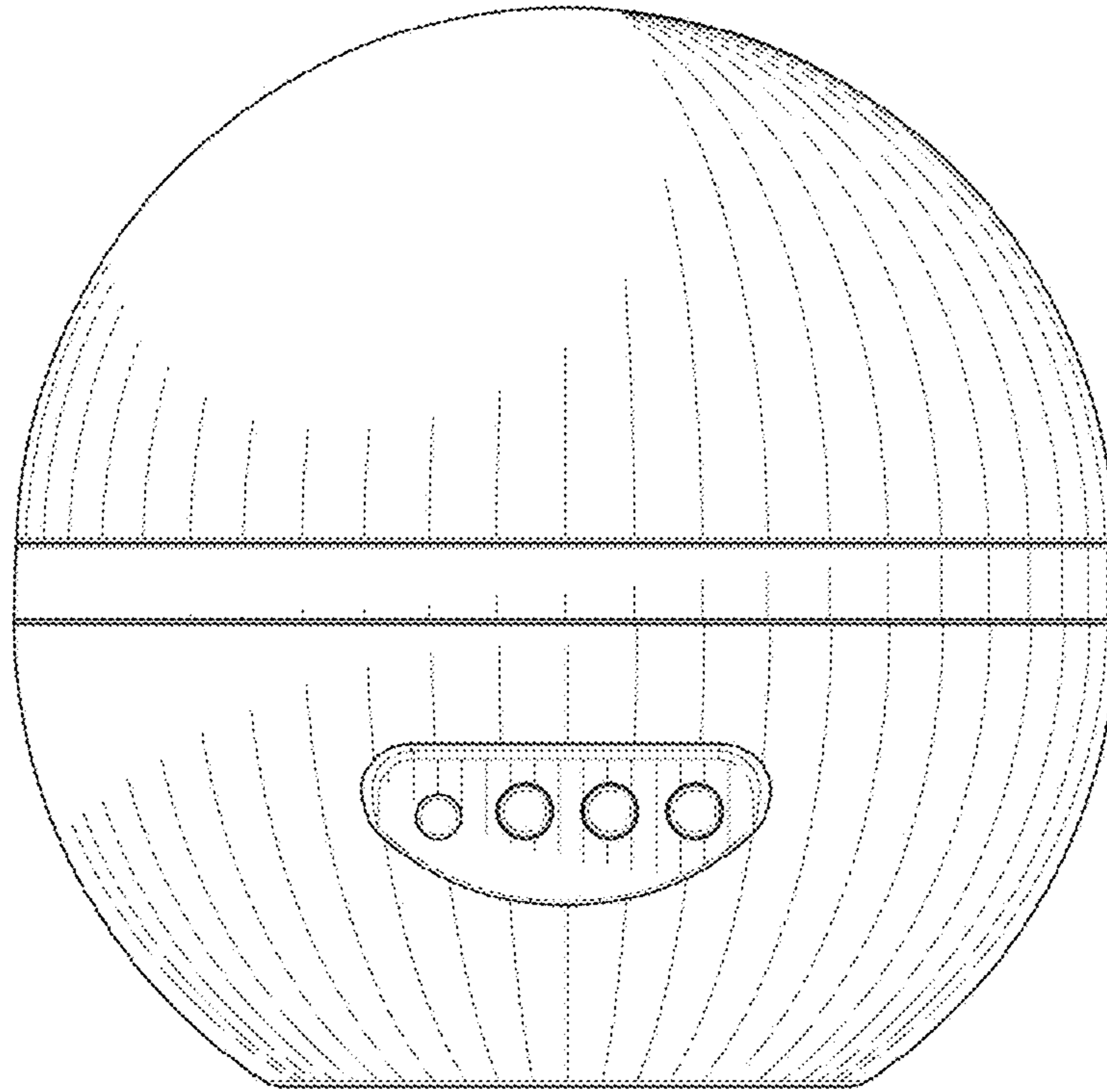


Fig. 2

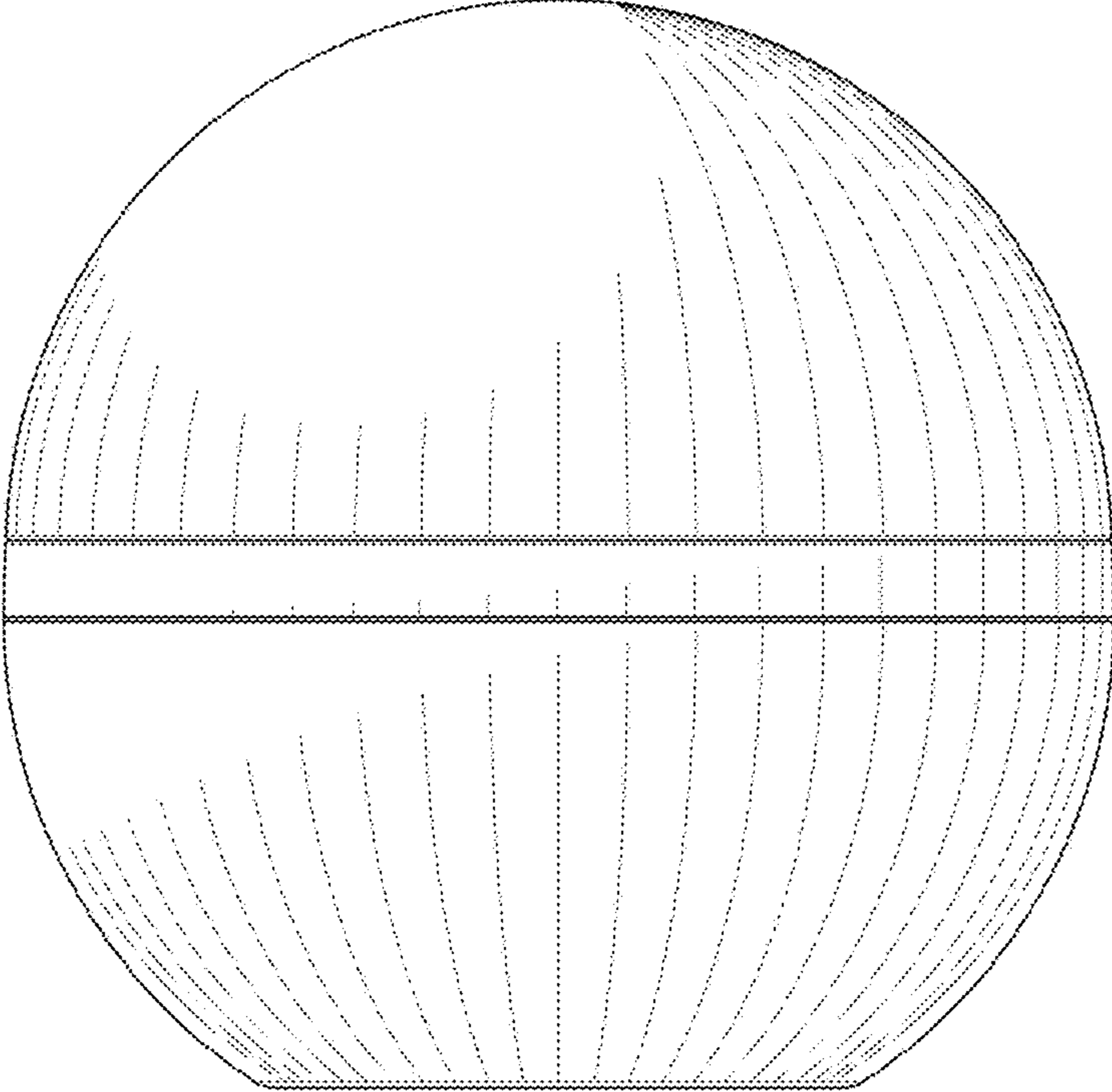


Fig. 3

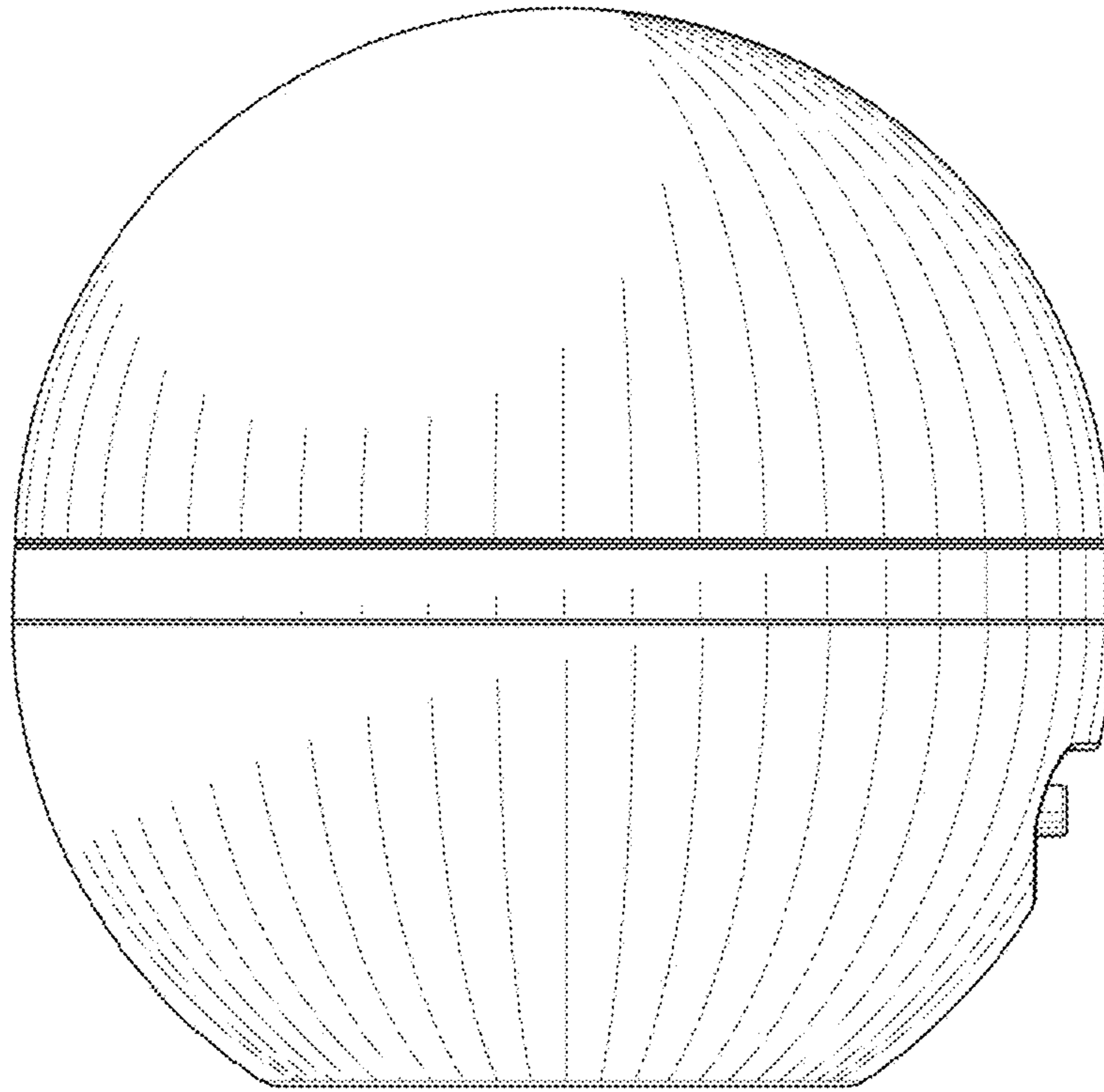


Fig. 4

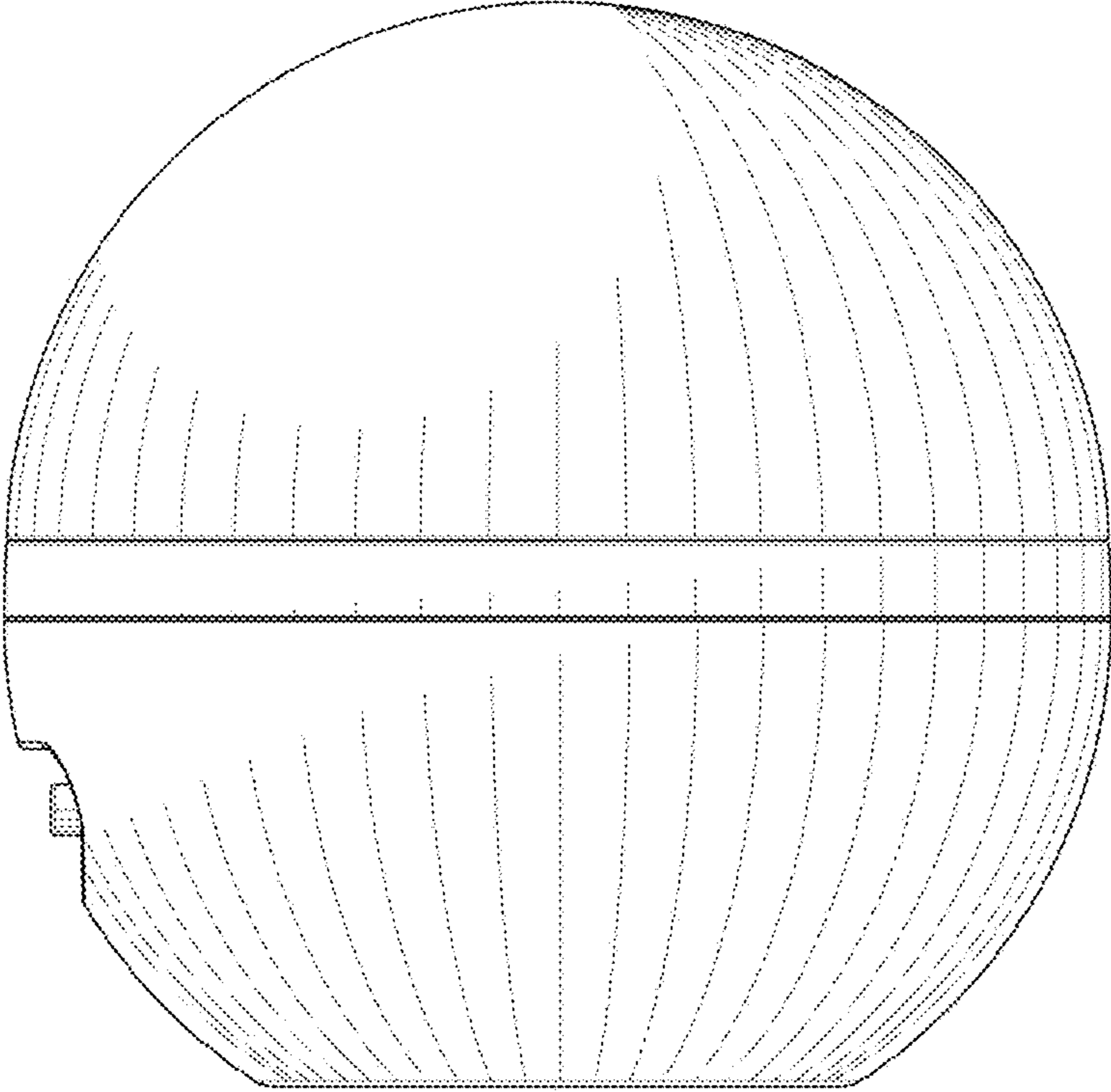


Fig. 5

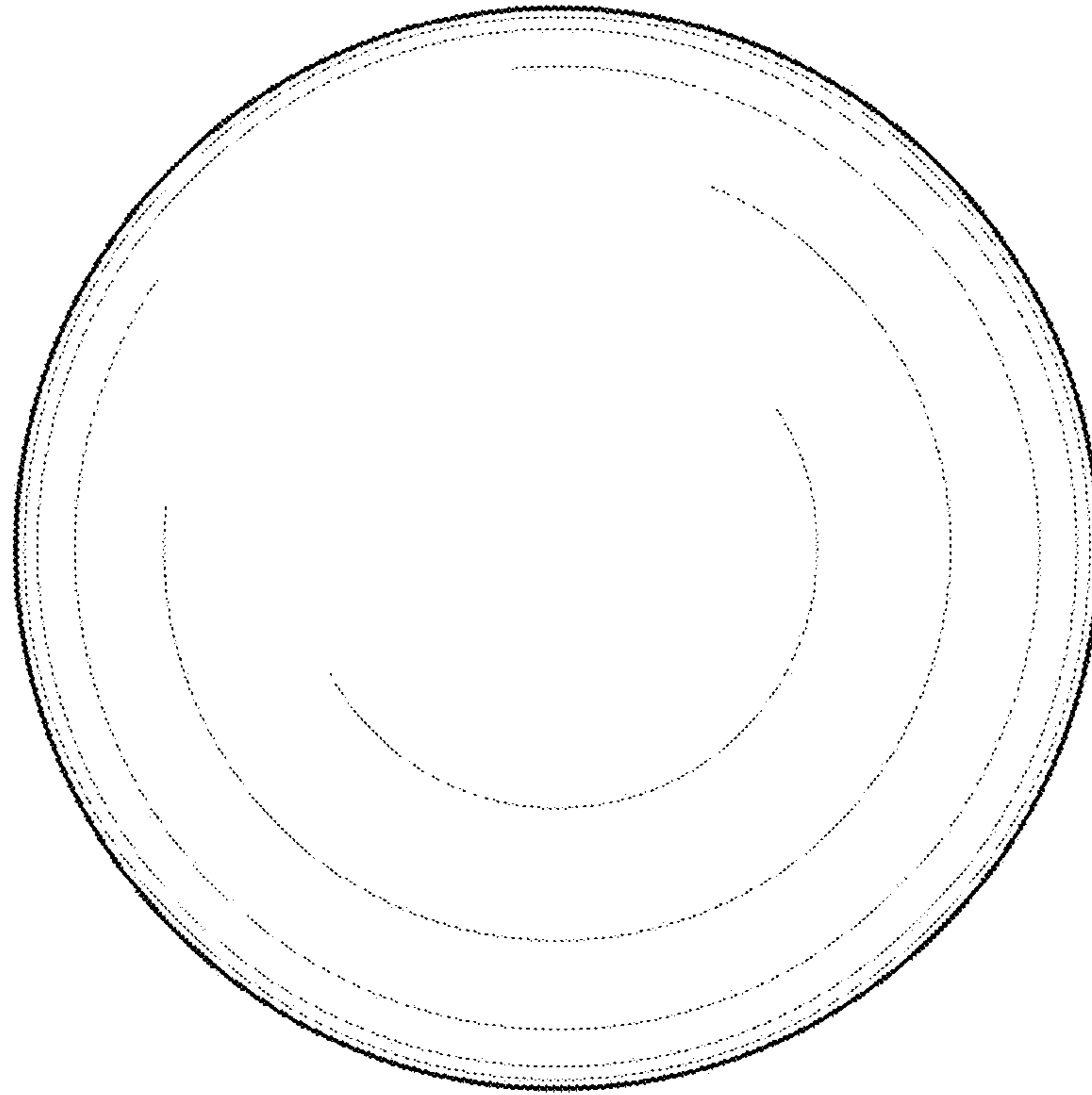


Fig. 6

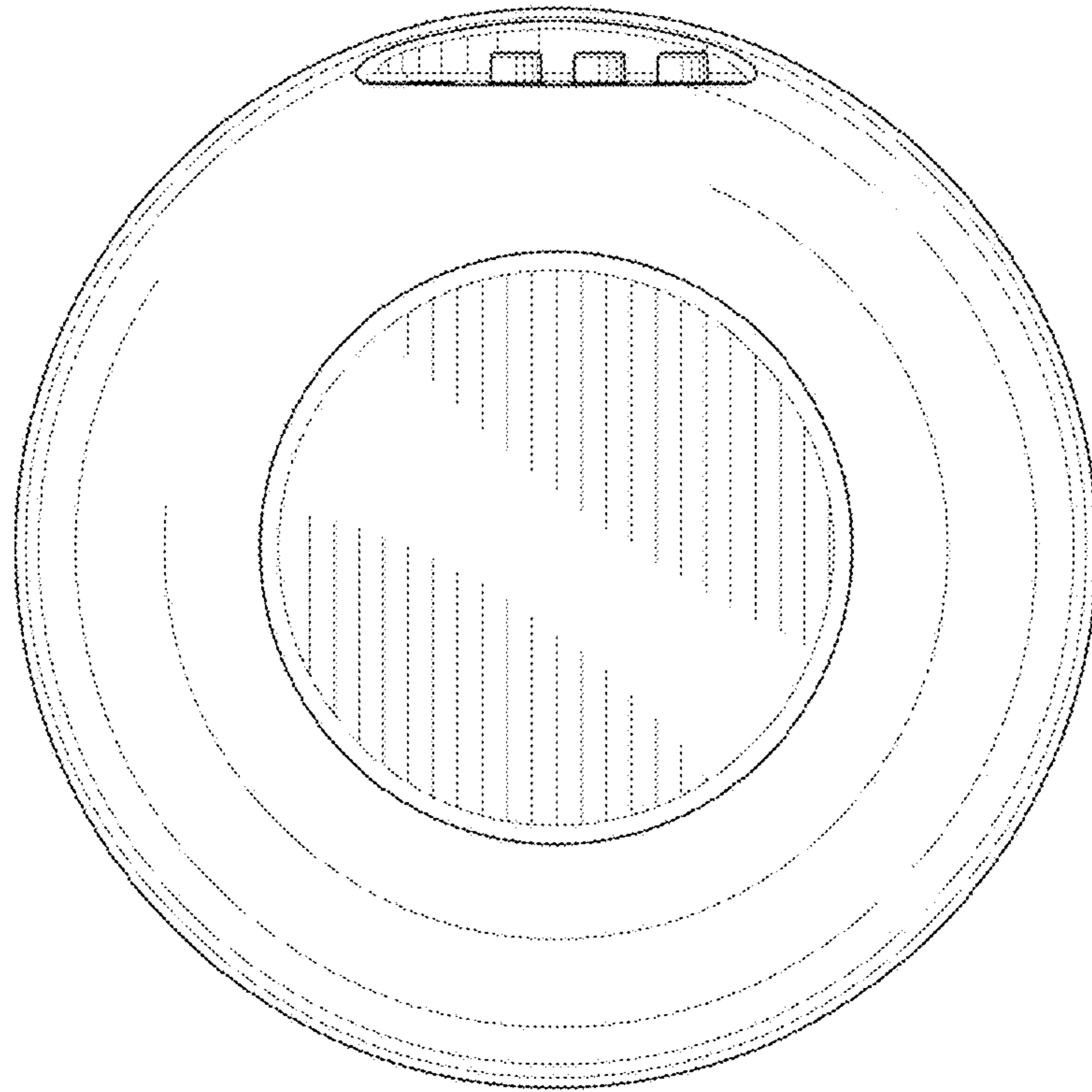


Fig. 7