



US00D848050S

(12) **United States Design Patent**  
**Hinze**

(10) **Patent No.:** **US D848,050 S**

(45) **Date of Patent:** **\*\* May 7, 2019**

(54) **LIGHTING FIXTURE**

(71) Applicant: **TERZANI S.r.l.**, Scandicci (FI) (IT)

(72) Inventor: **Franziska Hinze**, Miami, FL (US)

(73) Assignee: **TERZANI S.R.L.**, Scandicci (FI) (IT)

(\*\*) Term: **15 Years**

(21) Appl. No.: **29/642,011**

(22) Filed: **Mar. 27, 2018**

(30) **Foreign Application Priority Data**

Nov. 16, 2017 (EM) ..... 004509511-0002

(51) **LOC (11) Cl.** ..... **26-03**

(52) **U.S. Cl.**  
USPC ..... **D26/88; D26/90**

(58) **Field of Classification Search**  
USPC ..... D26/81-92, 118  
CPC .... F21S 8/06; F21S 8/061; F21S 8/063; F21S  
8/065; F21V 5/06  
See application file for complete search history.

(56) **References Cited**

**U.S. PATENT DOCUMENTS**

1,623,030	A *	3/1927	Bloch	.....	F21V 1/00 362/339
D78,956	S *	7/1929	Zweig	.....	D26/86
2,979,604	A *	4/1961	Rosenblatt	.....	F21V 17/00 362/307
3,530,289	A *	9/1970	Friedman	.....	F21V 5/06 362/332
D218,985	S *	10/1970	Anderson, Jr.	.....	D26/67
3,736,418	A *	5/1973	Havlova	.....	F21S 8/04 362/360
5,144,541	A *	9/1992	Schonbek	.....	F21V 5/06 362/332
5,181,777	A *	1/1993	Segill	.....	F21S 8/065 362/405

5,205,644	A *	4/1993	Bayer	.....	F21S 8/065 362/277
5,241,460	A *	8/1993	Schonbek	.....	F21V 5/06 362/339
5,667,736	A *	9/1997	Chien	.....	F21S 8/035 264/1.37
D400,283	S *	10/1998	Lawrence	.....	D26/86
D673,320	S *	12/2012	Guercio	.....	D26/89
2009/0034270	A1 *	2/2009	Schneider	.....	F21V 1/22 362/341
2012/0257388	A1 *	10/2012	Bracher	.....	F21S 8/061 362/249.01
2013/0182415	A1 *	7/2013	Yando	.....	F21S 8/065 362/122

**OTHER PUBLICATIONS**

Kika LED Pendant by Terzani. Found at ylighting.com, visited Jan. 18, 2019. (Year: 2019).\*

\* cited by examiner

*Primary Examiner* — Clare E Heflin

(74) *Attorney, Agent, or Firm* — Lucas & Mercanti, LLP

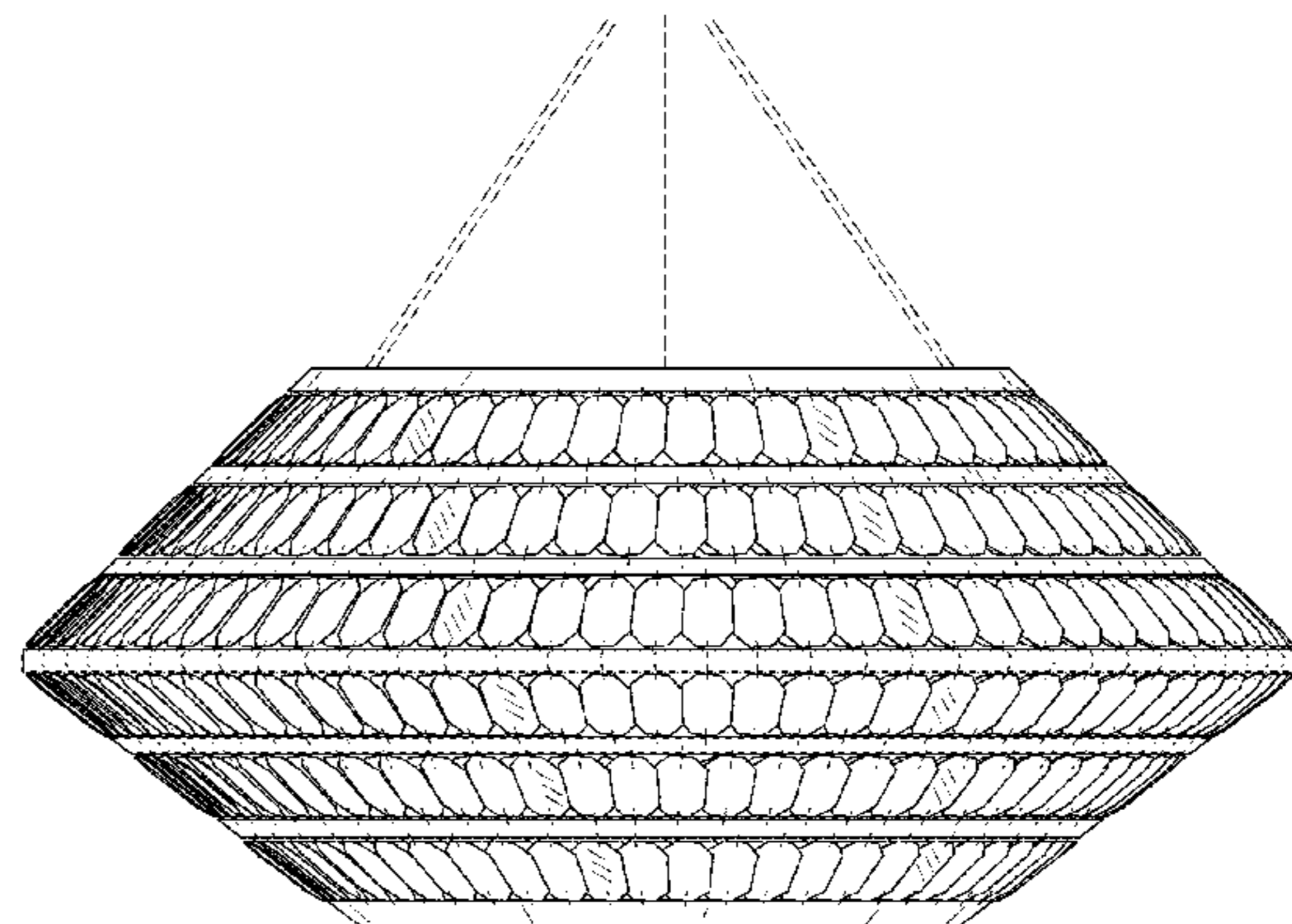
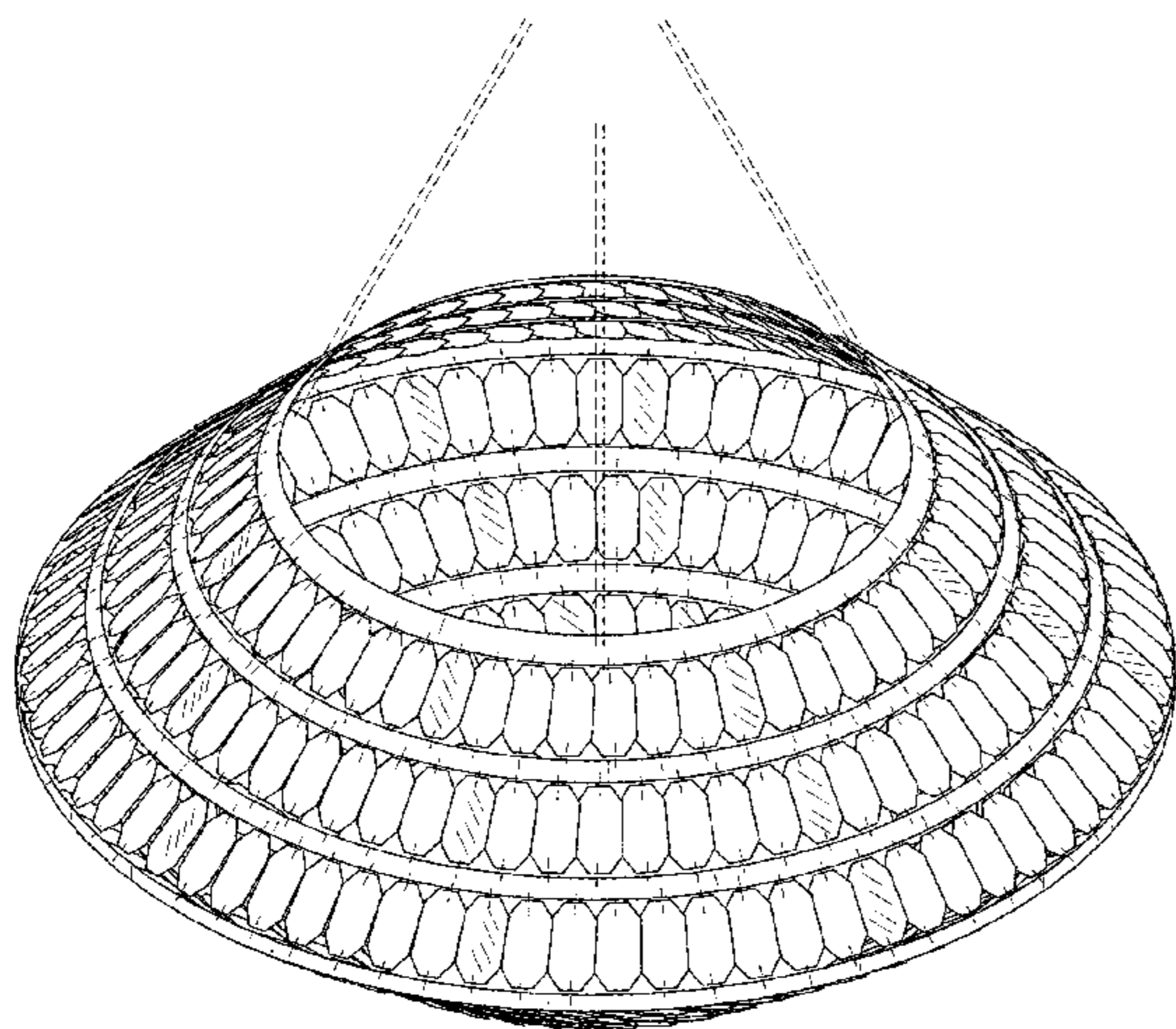
(57) **CLAIM**

The ornamental design for a lighting fixture, as shown and described.

**DESCRIPTION**

FIG. 1 is a top, front perspective view of the design; FIG. 2 is a bottom, rear perspective view thereof; FIG. 3 is a top plan view thereof; FIG. 4 is a bottom plan view thereof; FIG. 5 is a front elevation view thereof; FIG. 6 is a rear elevation view thereof; FIG. 7 is a right side elevation view thereof; and, FIG. 8 is a left side elevation view thereof. The broken lines on top of the lighting fixture are included for environmental purposes only and form no part of the claimed design.

**1 Claim, 8 Drawing Sheets**



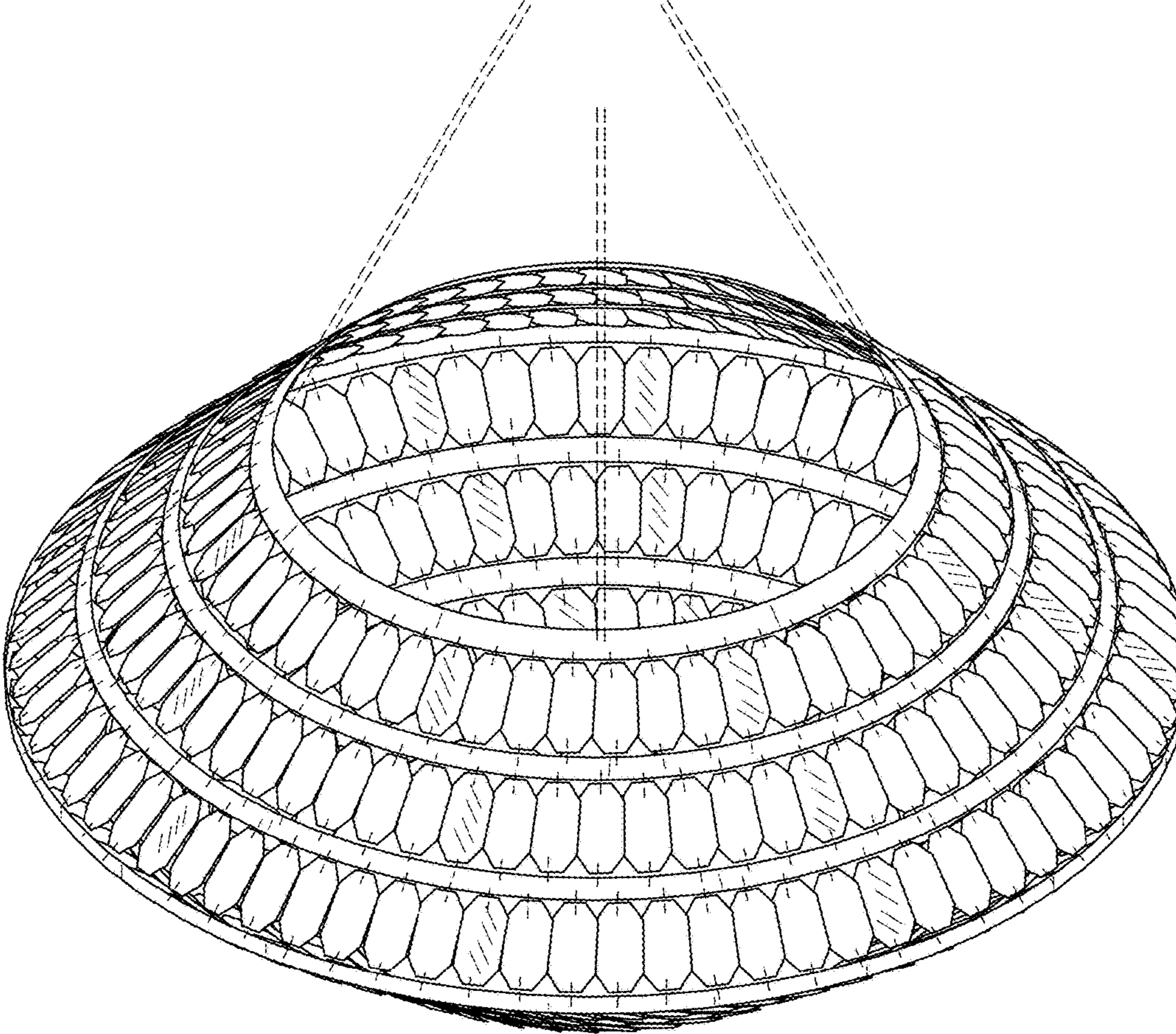


FIG. 1

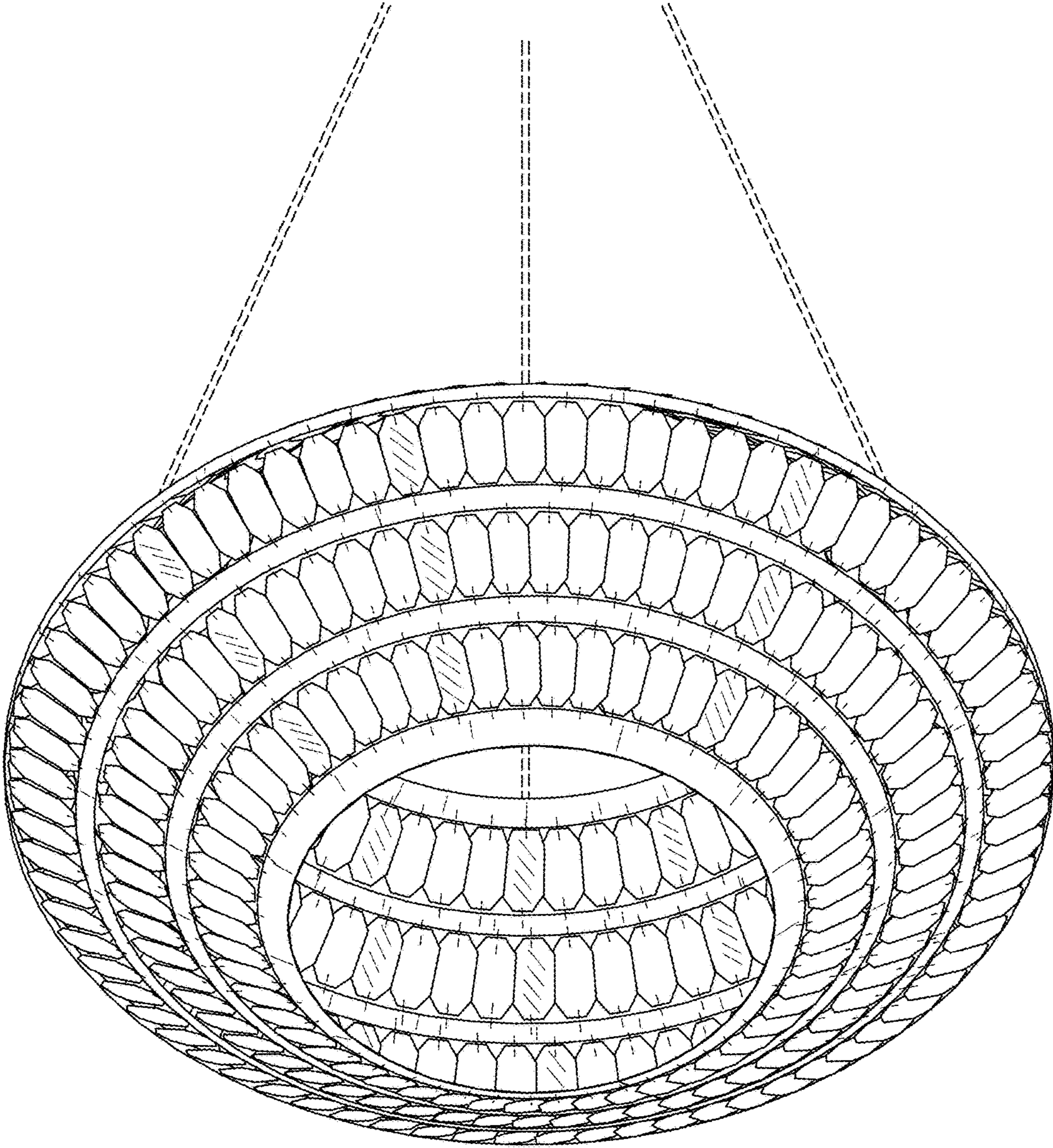


FIG. 2

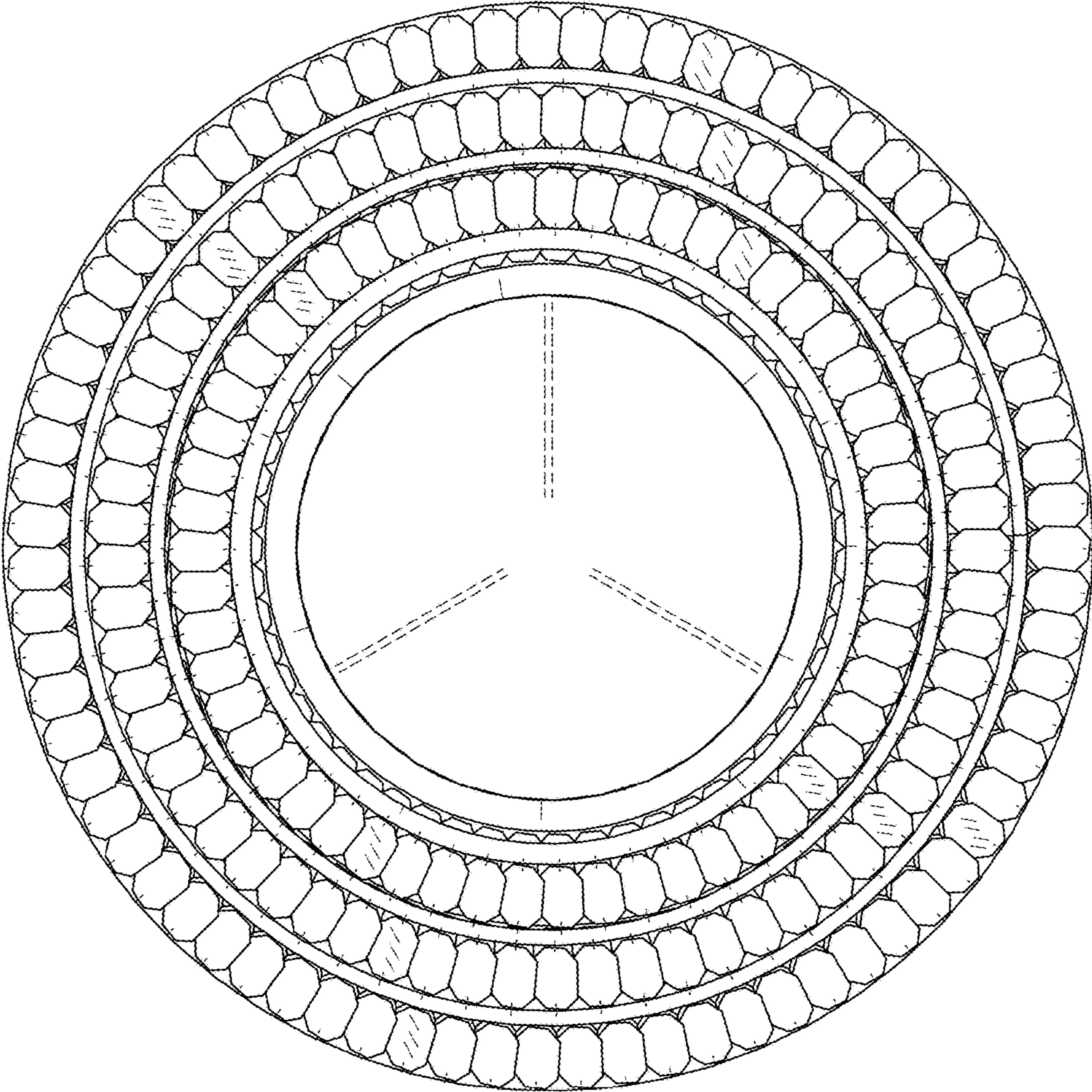


FIG. 3

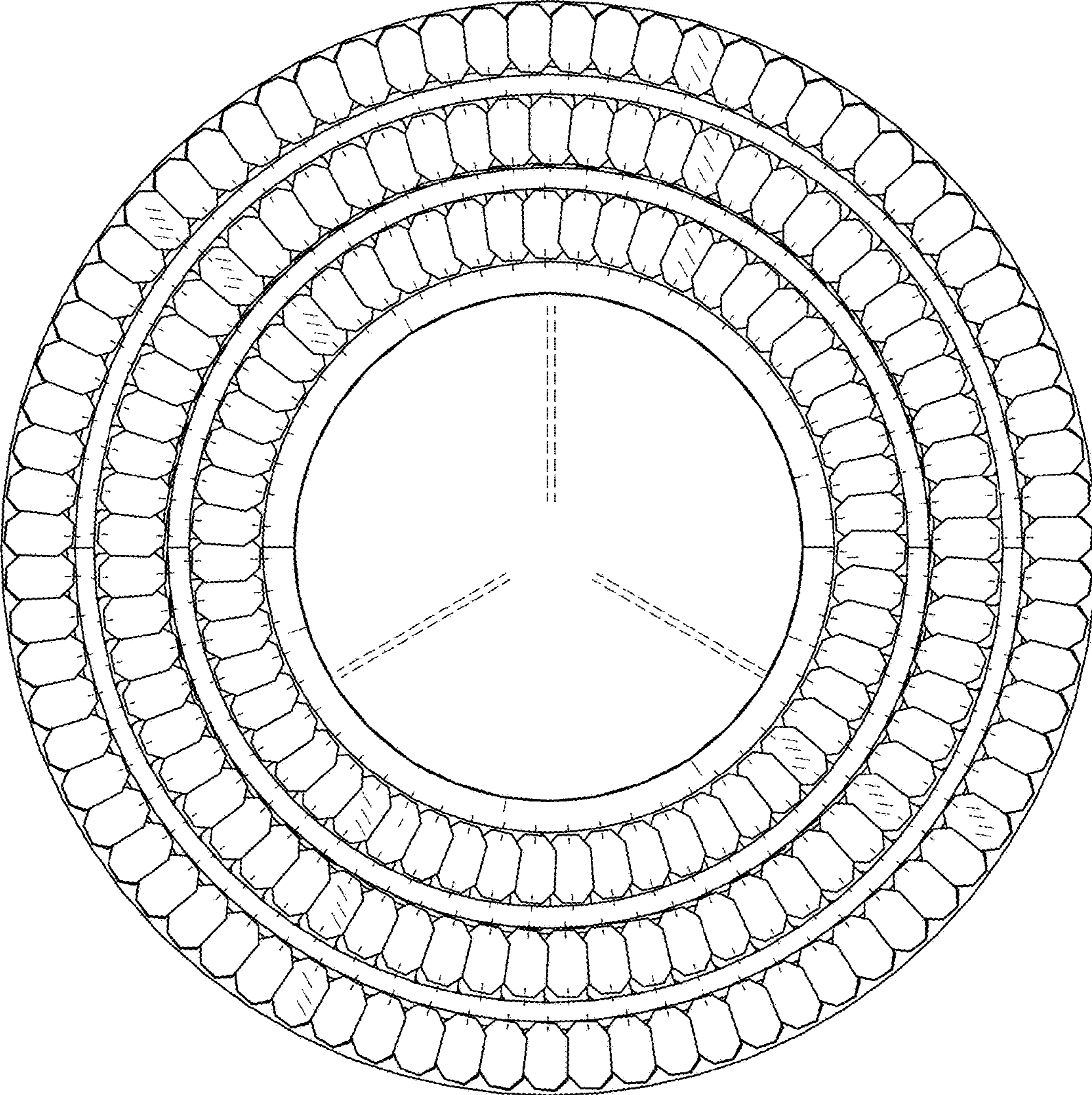


FIG. 4

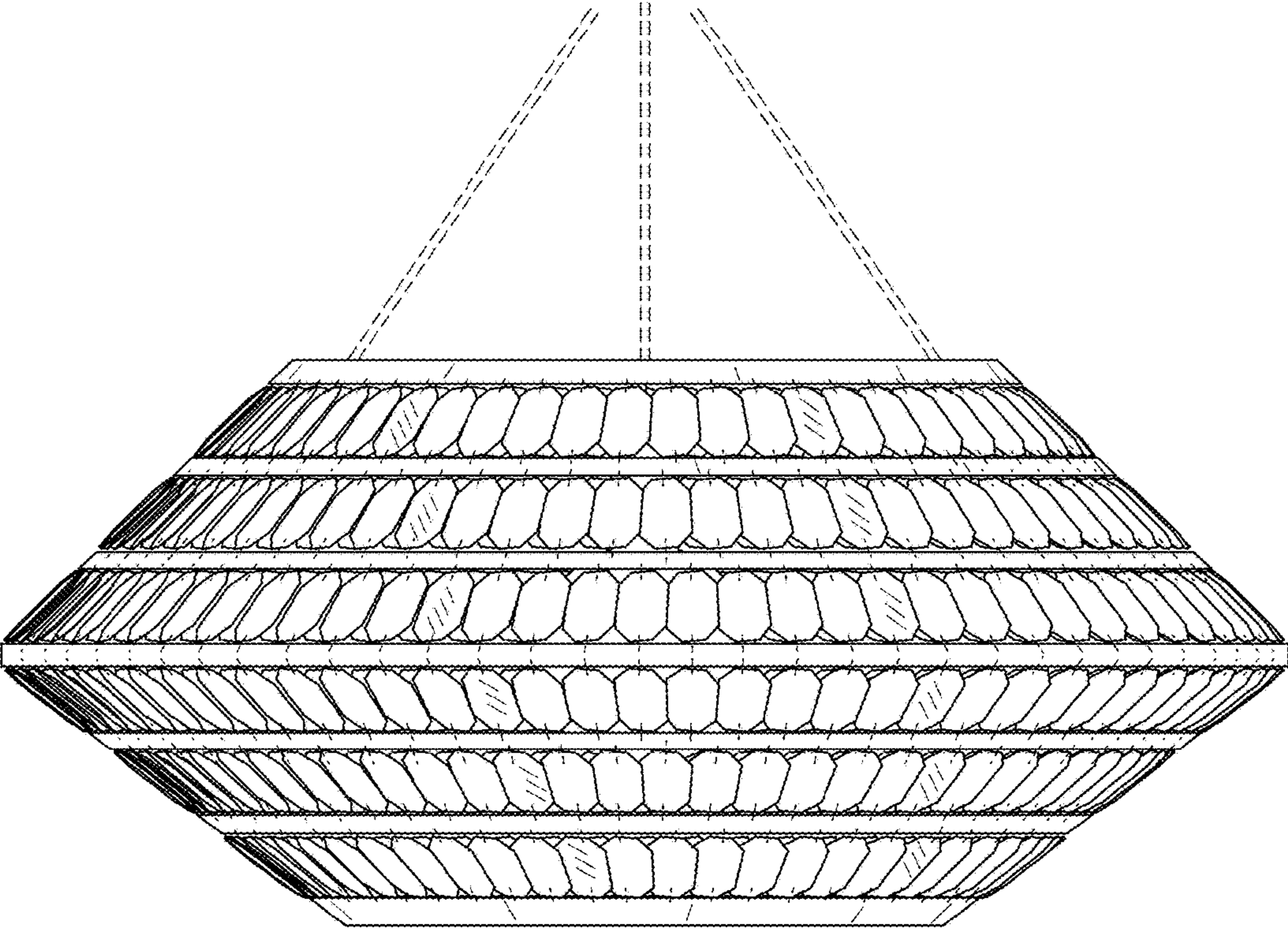


FIG. 5

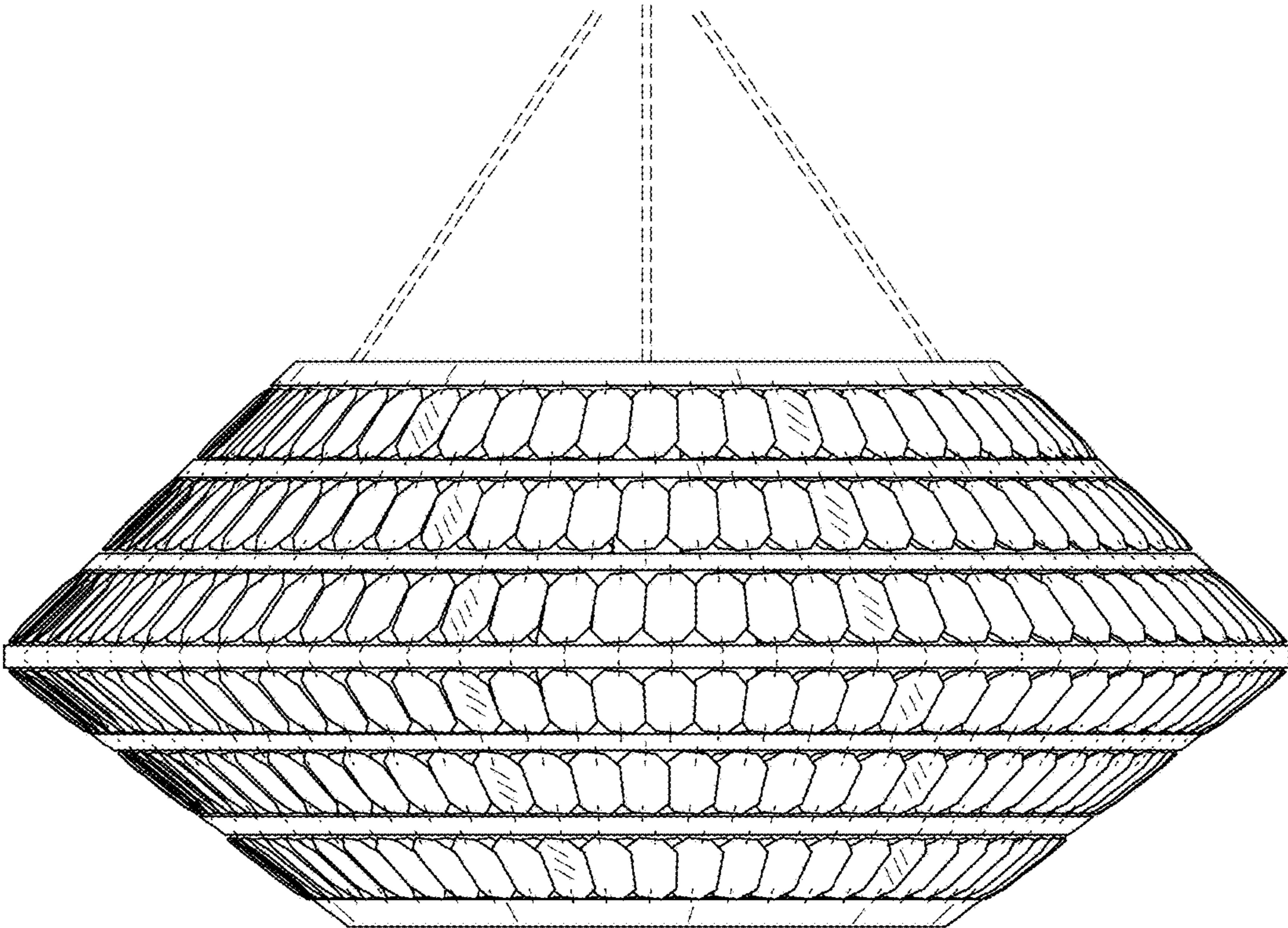


FIG. 6

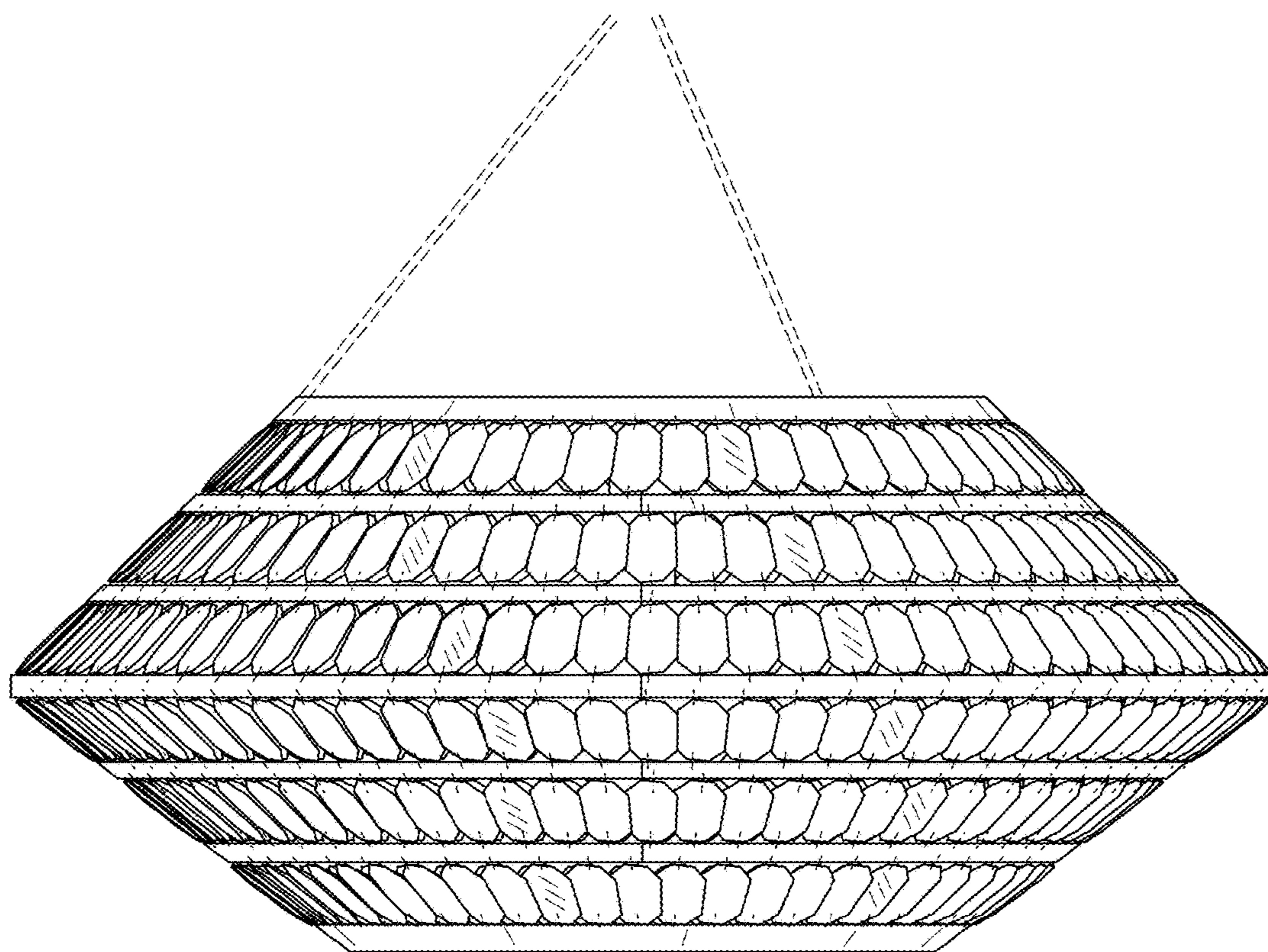


FIG. 7



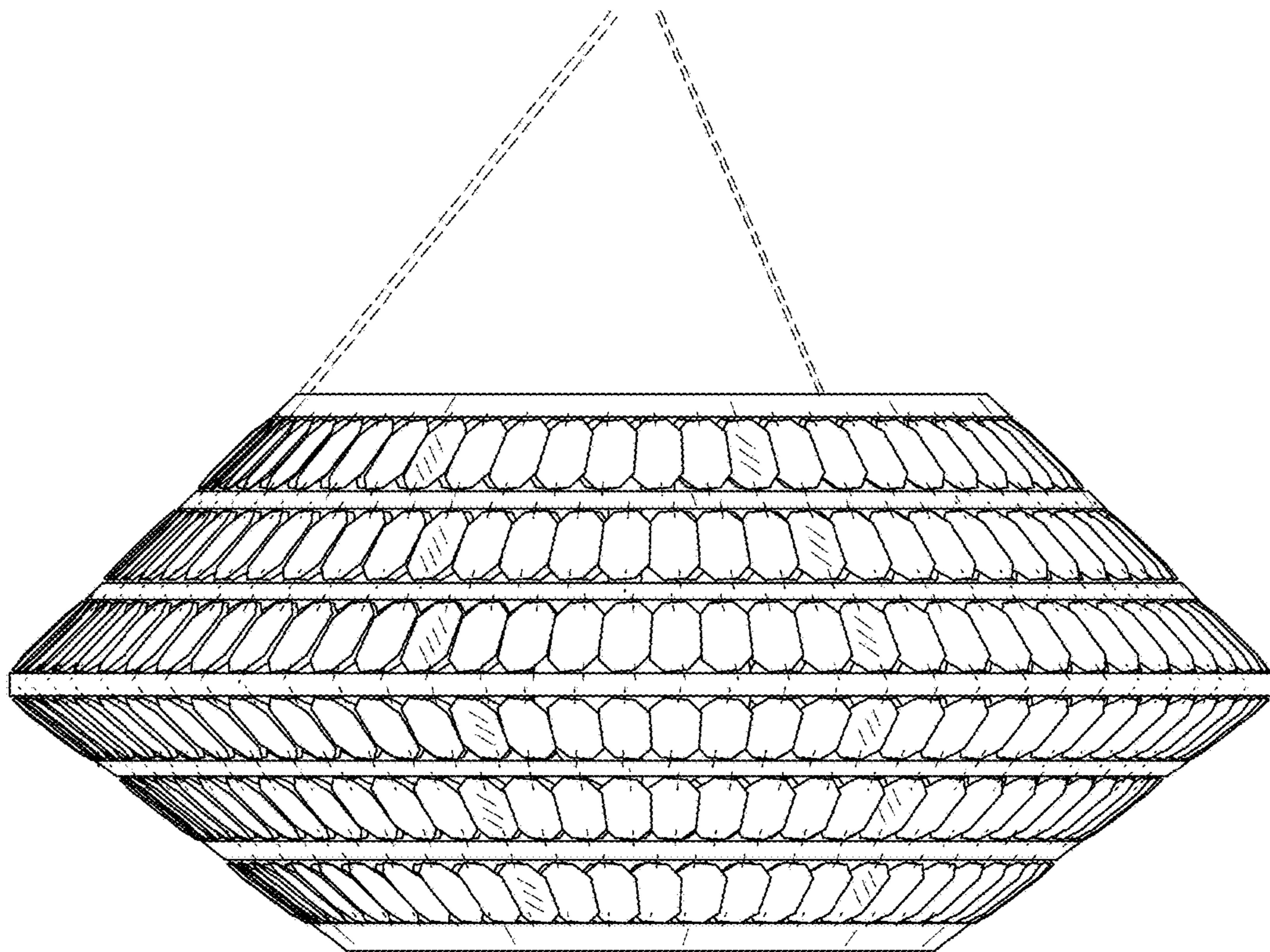


FIG. 8