

US00D848049S

(12) **United States Design Patent** (10) **Patent No.:** **US D848,049 S**  
**Hu** (45) **Date of Patent:** **\*\* May 7, 2019**

(54) **SOLAR LAMP**

(71) Applicant: **MPOW TECHNOLOGY CO., LIMITED**, Hong Kong (HK)

(72) Inventor: **Zaihui Hu**, Shenzhen (CN)

(73) Assignee: **MPOW TECHNOLOGY CO., LIMITED**, Hong Kong (HK)

(\*\*) Term: **15 Years**

(21) Appl. No.: **29/670,290**

(22) Filed: **Nov. 15, 2018**

(51) **LOC (11) Cl.** ..... **26-03**

(52) **U.S. Cl.**  
USPC ..... **D26/85**

(58) **Field of Classification Search**  
USPC ..... D26/67, 72, 85  
CPC .... F21S 8/03; F21S 8/033; F21S 8/036; F21S 8/037; F21S 9/022; F21S 9/024; F21S 9/03; F21S 9/035; F21S 9/037; F21W 2131/107; G08B 13/193  
See application file for complete search history.

(56) **References Cited**

**U.S. PATENT DOCUMENTS**

D100,978 S *	8/1936	Wright	.....	D26/72
D188,912 S *	9/1960	Lasker	.....	D26/85
D197,530 S *	2/1964	Jaffe, Jr. et al.	.....	D26/85
4,015,163 A *	3/1977	Iacobelli	.....	F21S 8/033 312/204
D272,193 S *	1/1984	Sangiomo	.....	D26/85
D307,245 S *	4/1990	Biersdorff	.....	D10/106.6
D380,572 S *	7/1997	Bodell	.....	D26/85
D394,518 S *	5/1998	Burrow	.....	26/76
D584,846 S *	1/2009	Maxik	.....	D26/85
D791,994 S *	7/2017	Liu	.....	D10/106.8
D800,943 S *	10/2017	Shundong	.....	D26/85
D805,236 S *	12/2017	Exley	.....	D26/85
D816,259 S *	4/2018	Liu	.....	D26/85

D822,874 S *	7/2018	Hu	.....	D26/85
D825,813 S *	8/2018	Xiang	.....	D26/85
D835,830 S *	12/2018	Liu	.....	D26/85

(Continued)

**FOREIGN PATENT DOCUMENTS**

EM 003873777-0001 5/2017

**OTHER PUBLICATIONS**

Arilux—® Solar Power / USB Waterproof 79 LED PIR Motion Sensor Wall Light. Found at banggood.com visited Jan. 23, 2019. (Year: 2019).\*

(Continued)

*Primary Examiner* — Clare E Heflin

(74) *Attorney, Agent, or Firm* — JCIPRNET

(57) **CLAIM**

The ornamental design for a solar lamp, as shown and described.

**DESCRIPTION**

FIG. 1 is a perspective view of a solar lamp showing my new design;

FIG. 2 is another perspective view thereof;

FIG. 3 is a front view thereof;

FIG. 4 is a rear view thereof;

FIG. 5 is a left side view thereof;

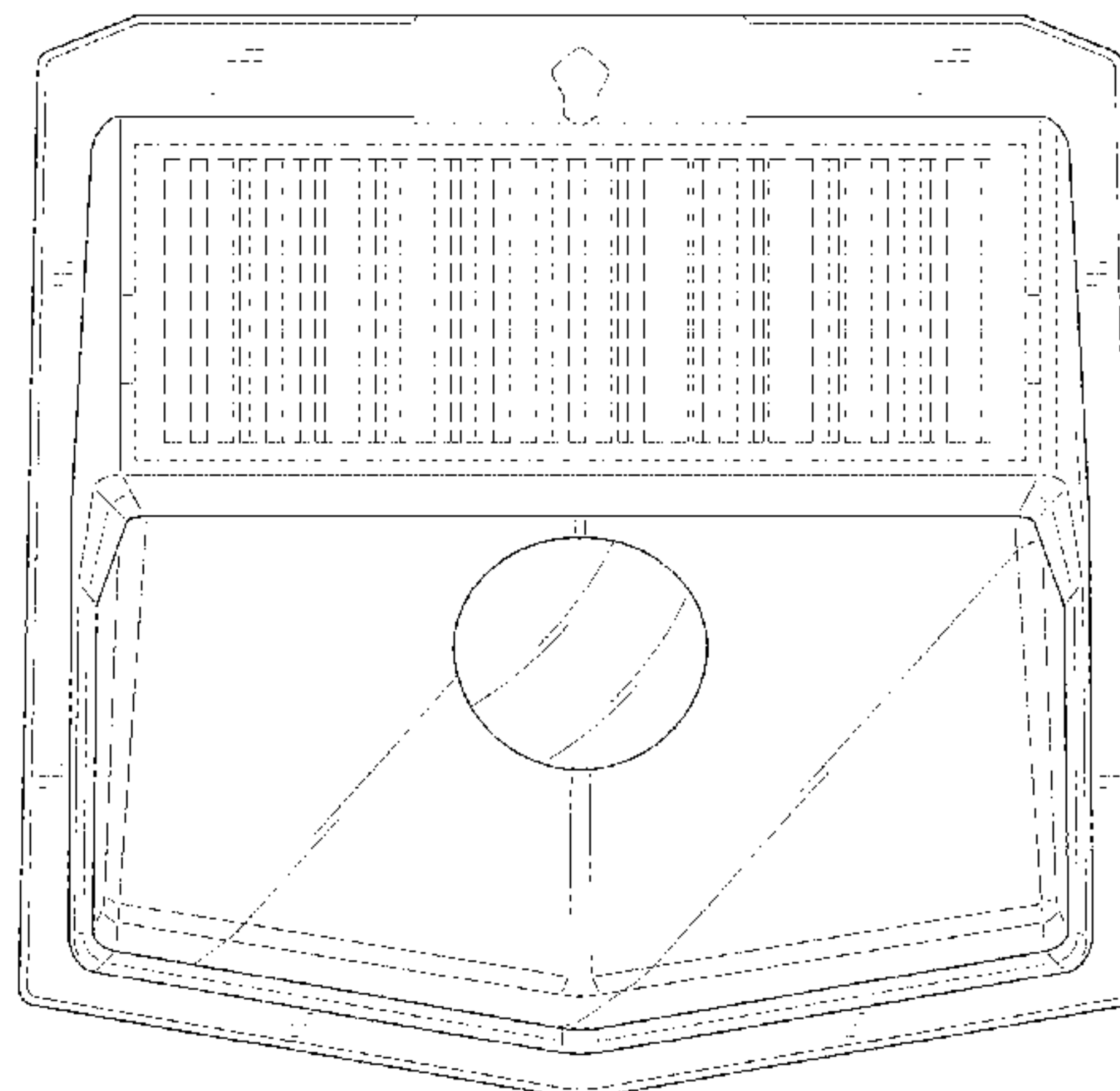
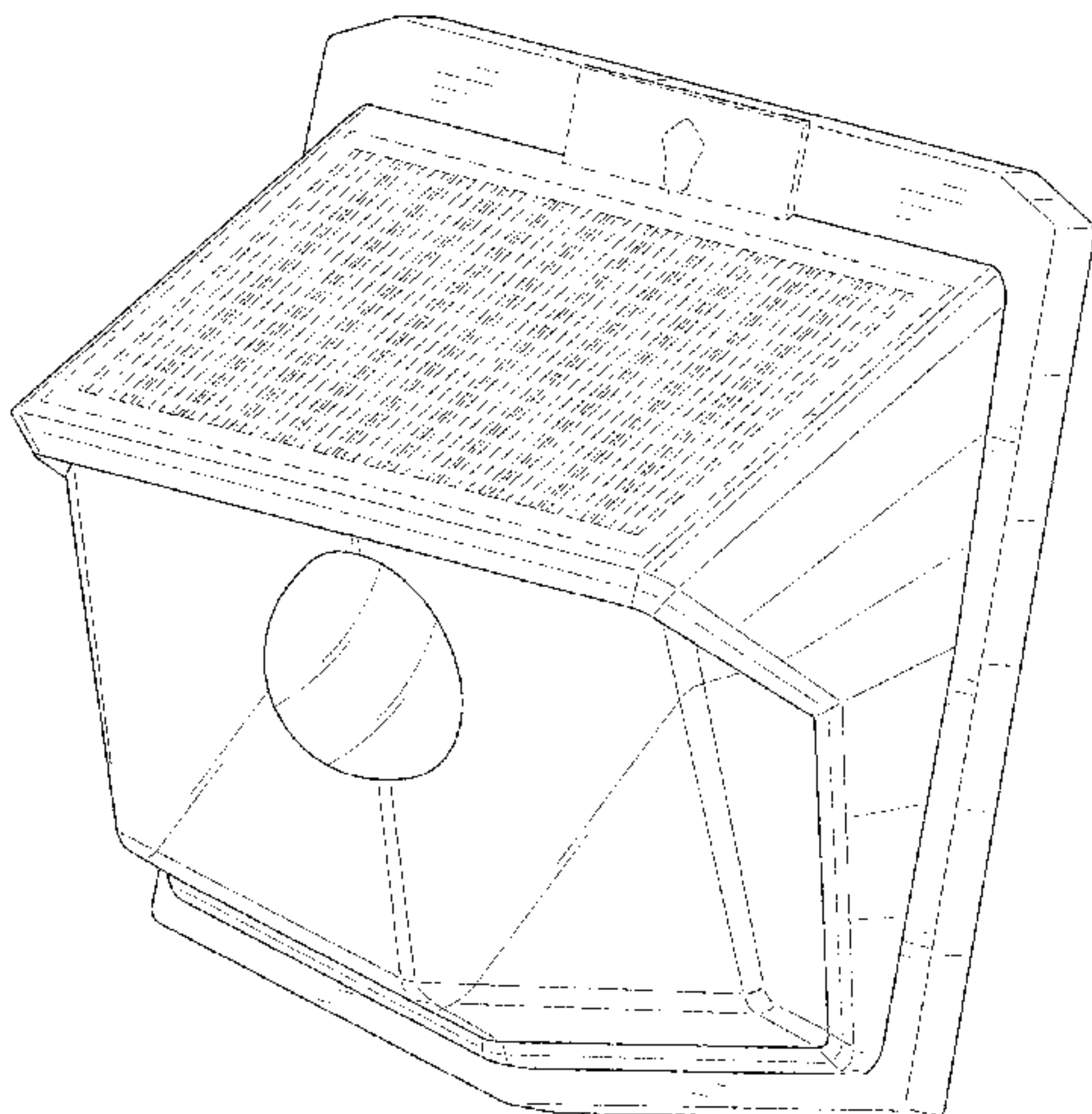
FIG. 6 is a right side view thereof;

FIG. 7 is a top view thereof; and,

FIG. 8 is a bottom view thereof.

The broken lines showing in the views are for the purpose of illustrating unclaimed subject matter only and form no part of the claimed design. The oblique line shading shown in the drawings indicates a transparent or translucent surface. Internal structure of the transparent or translucent surface is omitted. No claim is made to any element inside the transparent or translucent surface.

**1 Claim, 7 Drawing Sheets**



(56)

**References Cited**

U.S. PATENT DOCUMENTS

D836,816 S \* 12/2018 Liu ..... D26/85  
2017/0321877 A1 \* 11/2017 Polidoro ..... F21S 8/033

OTHER PUBLICATIONS

Airilux® AL-SL Solar Power 24 LED Waterproof PIR Motion  
Sensor Outdoor Light. Found at mangoslide.com visited Jan. 22,  
2019. (Year: 2019).\*

\* cited by examiner

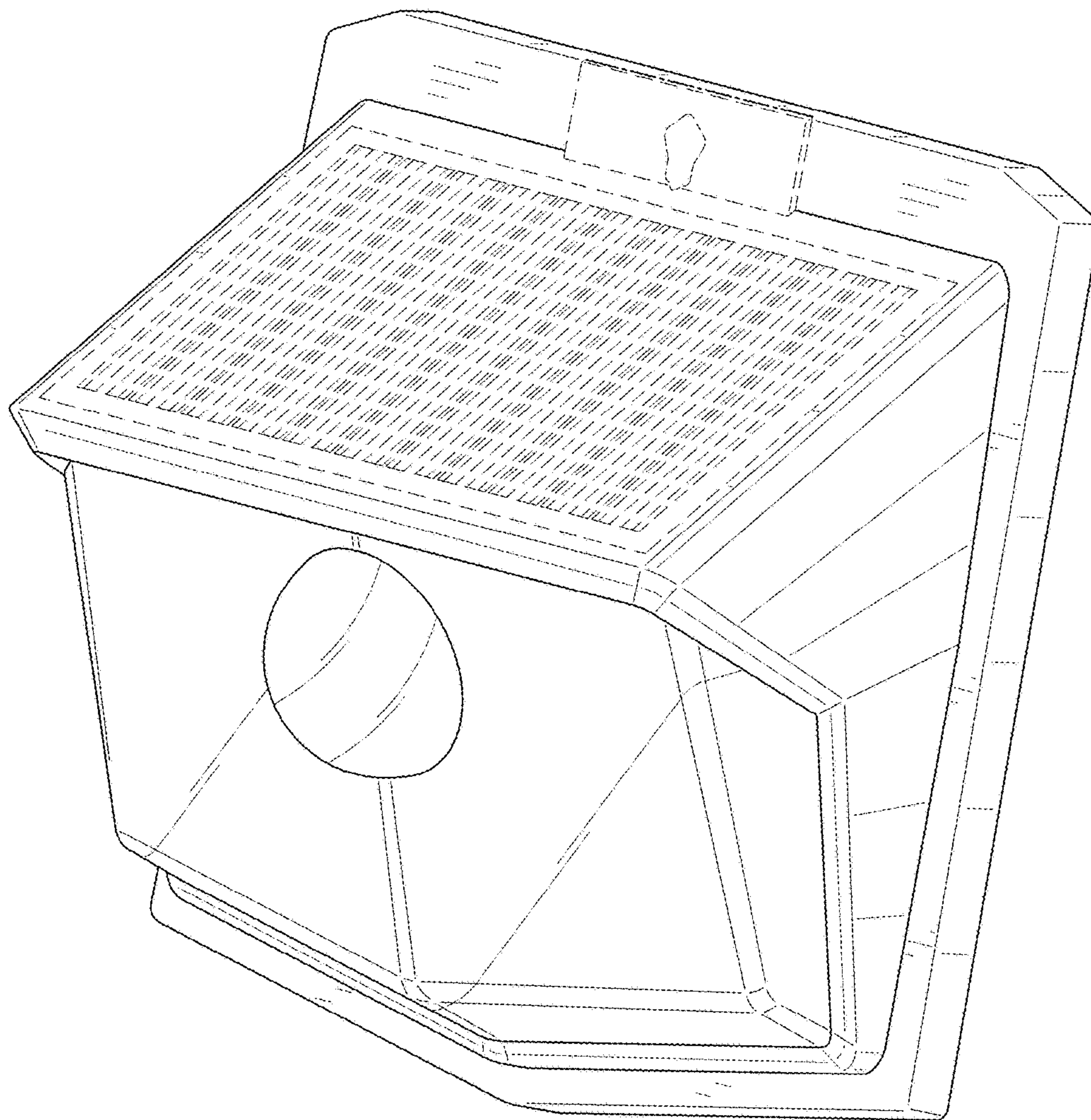


FIG. 1

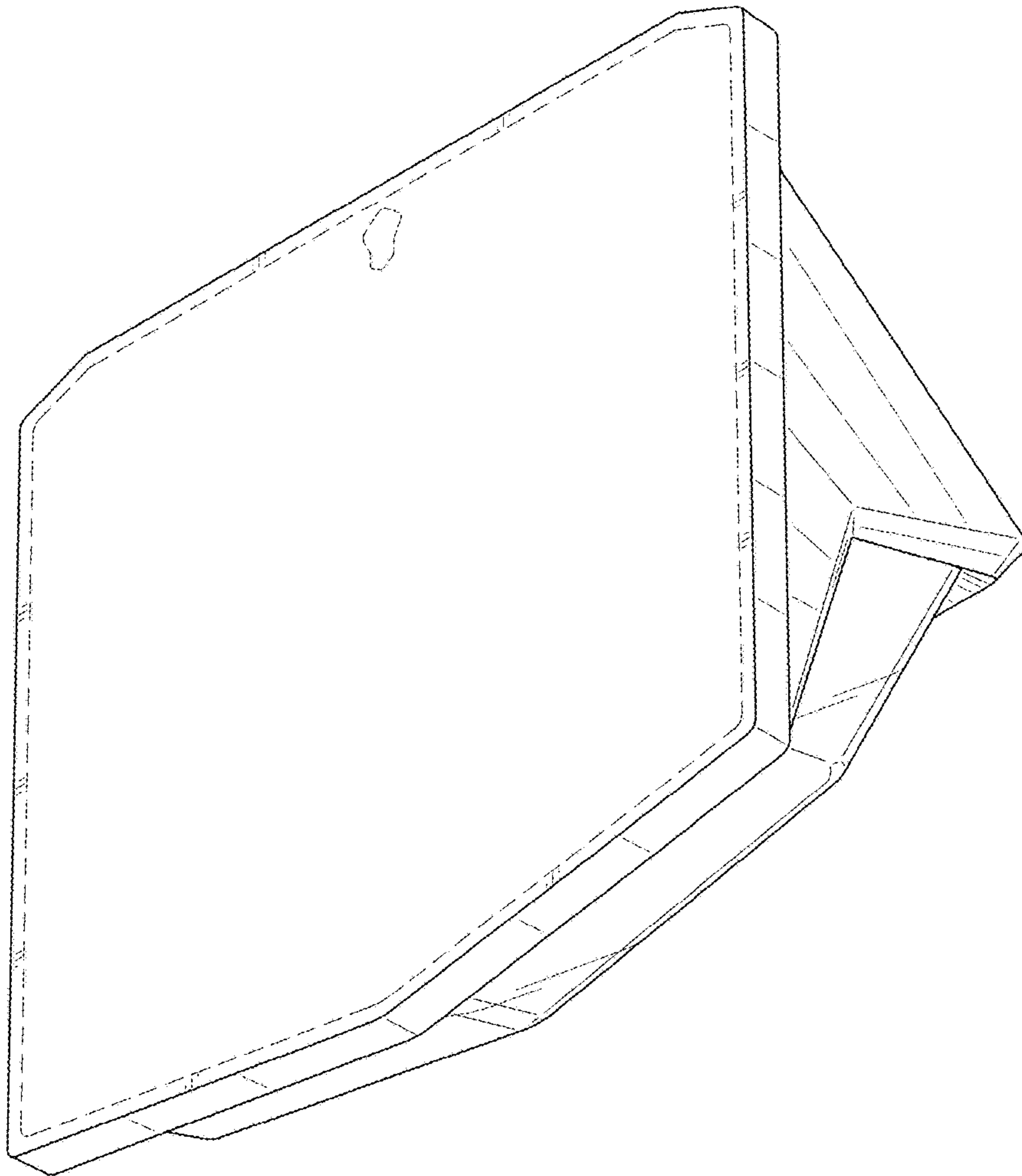


FIG. 2



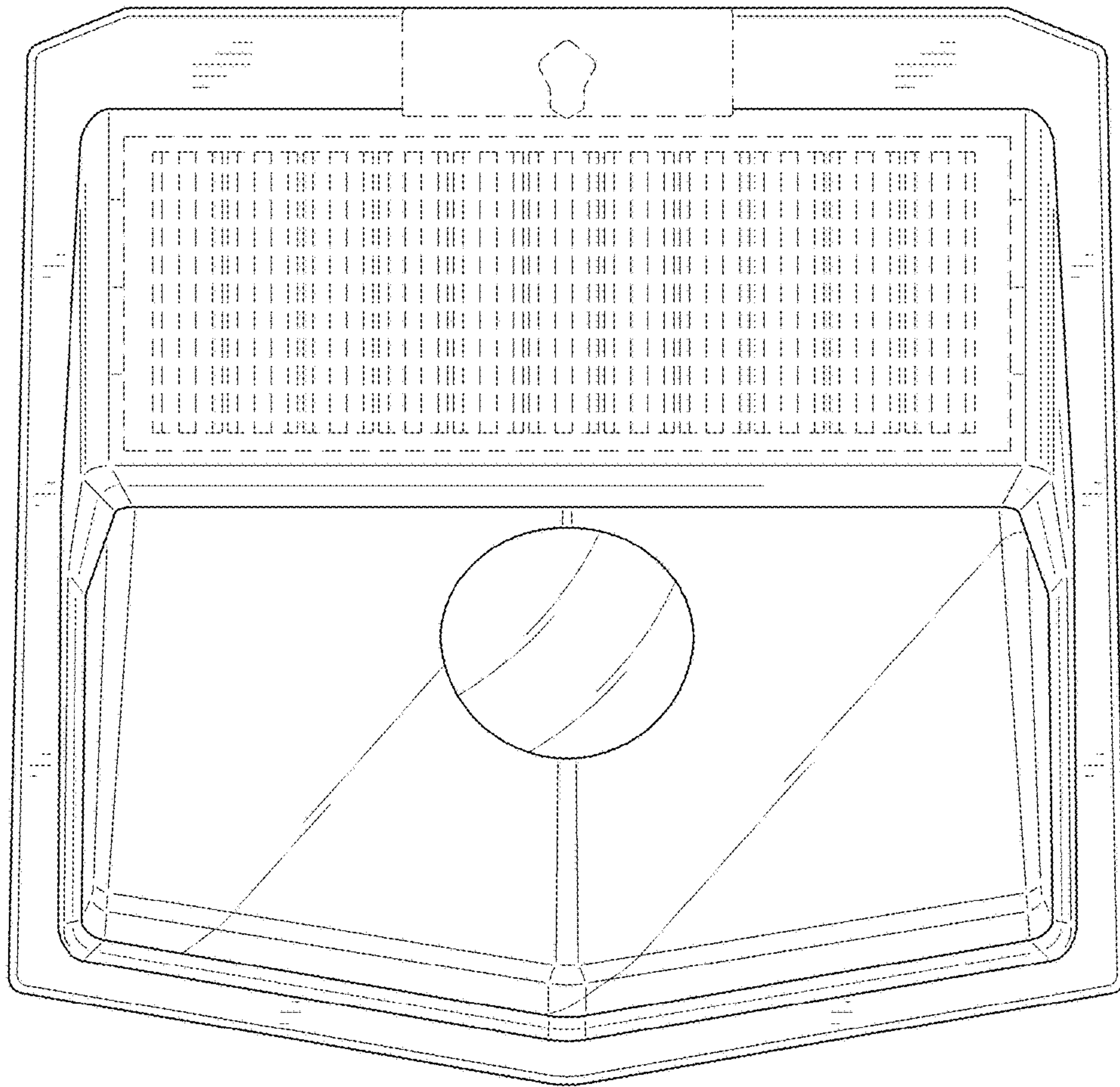


FIG. 3

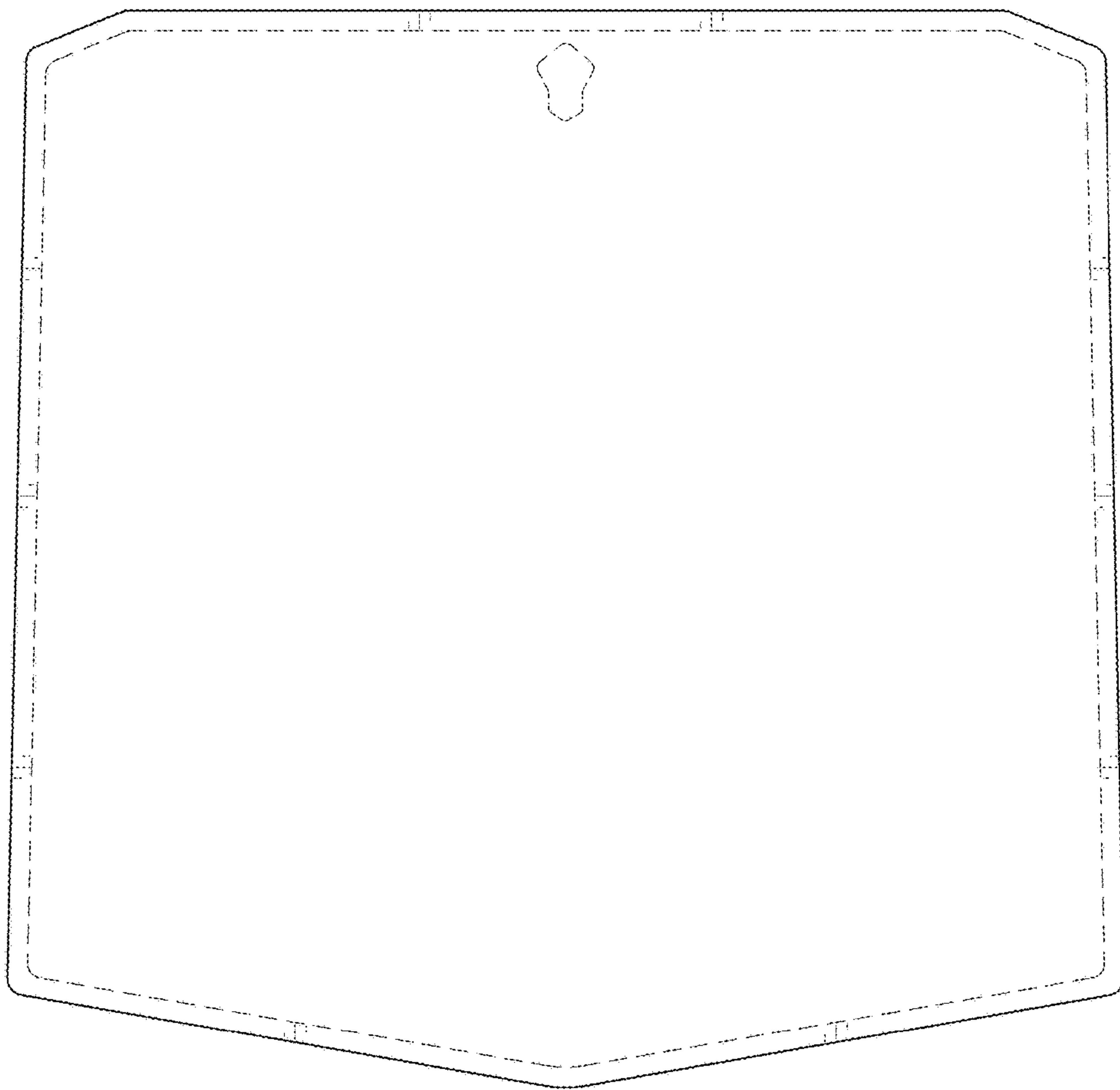


FIG. 4

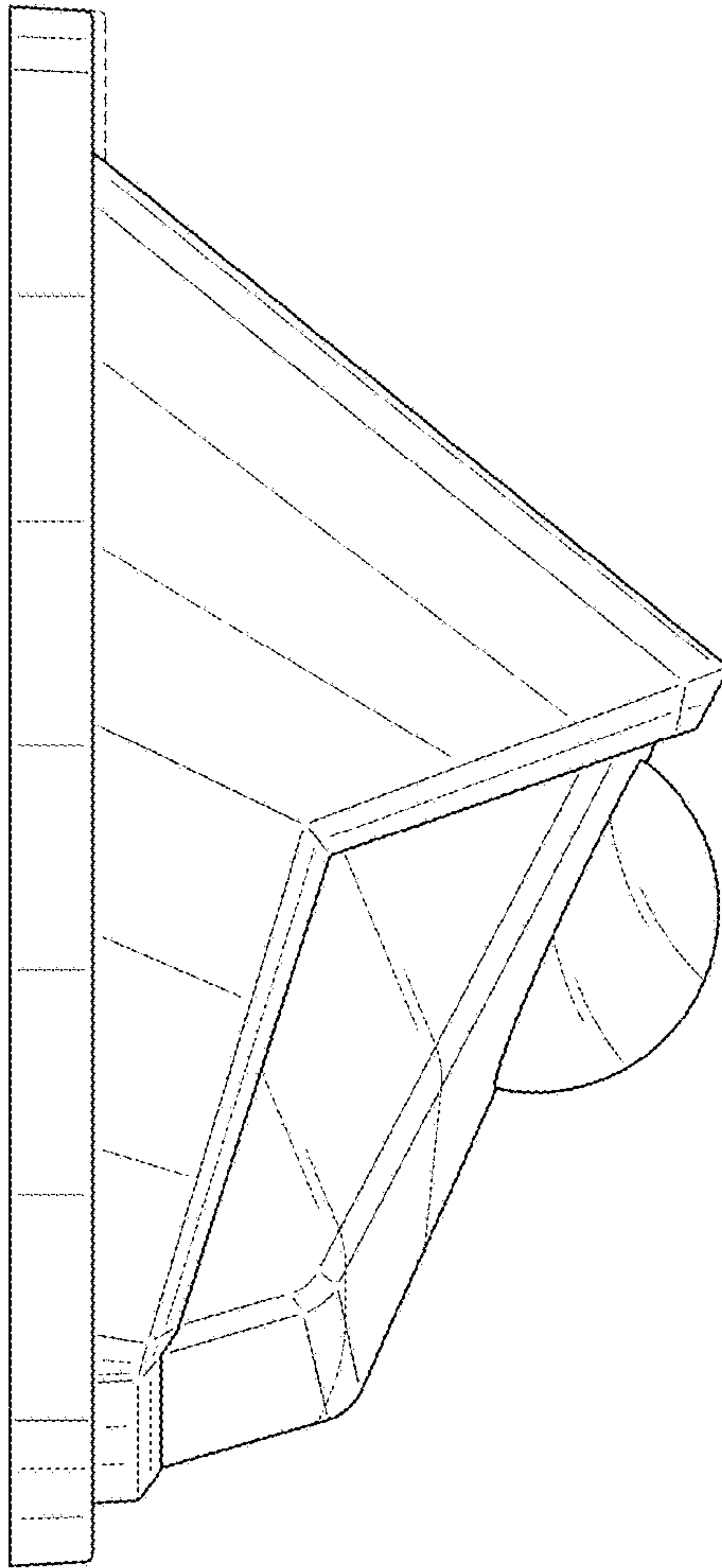


FIG. 5

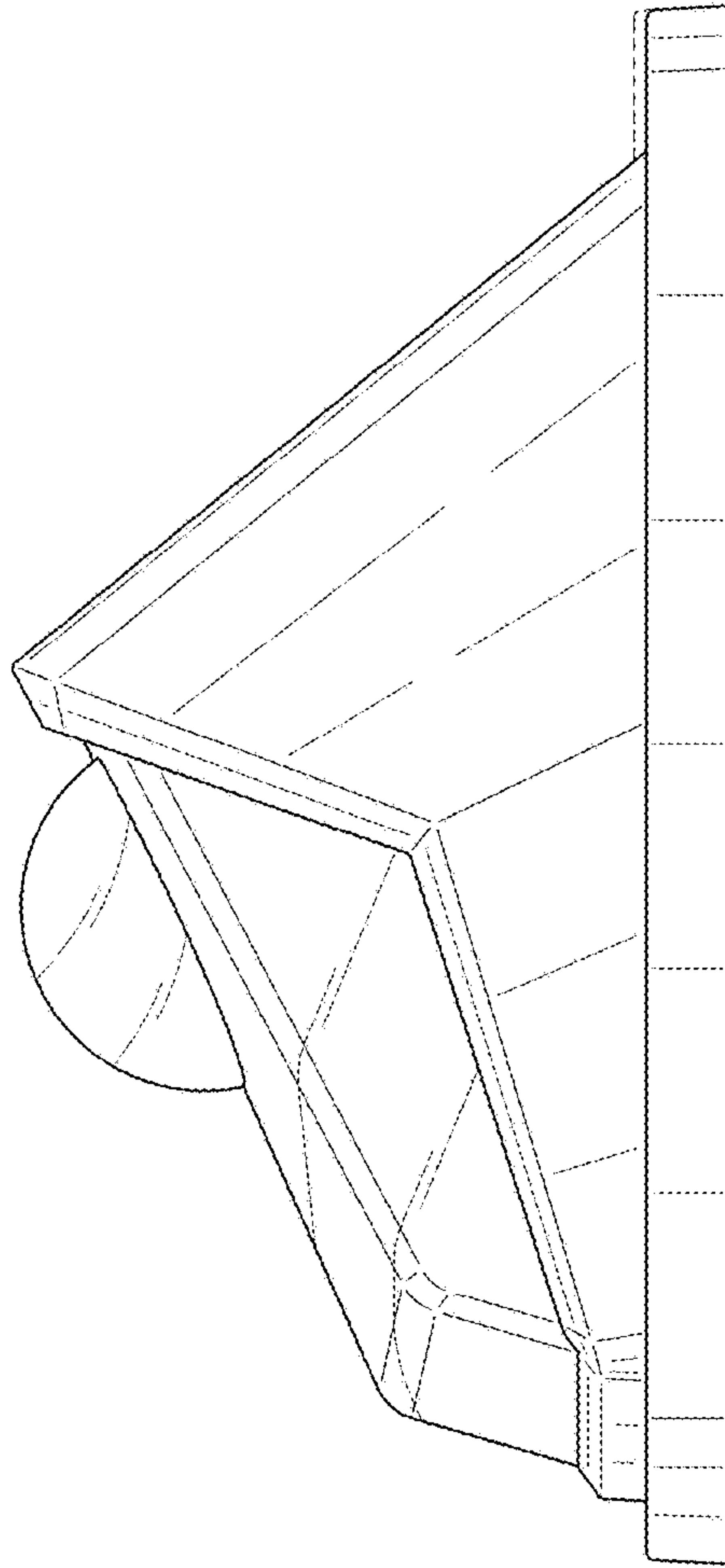


FIG. 6



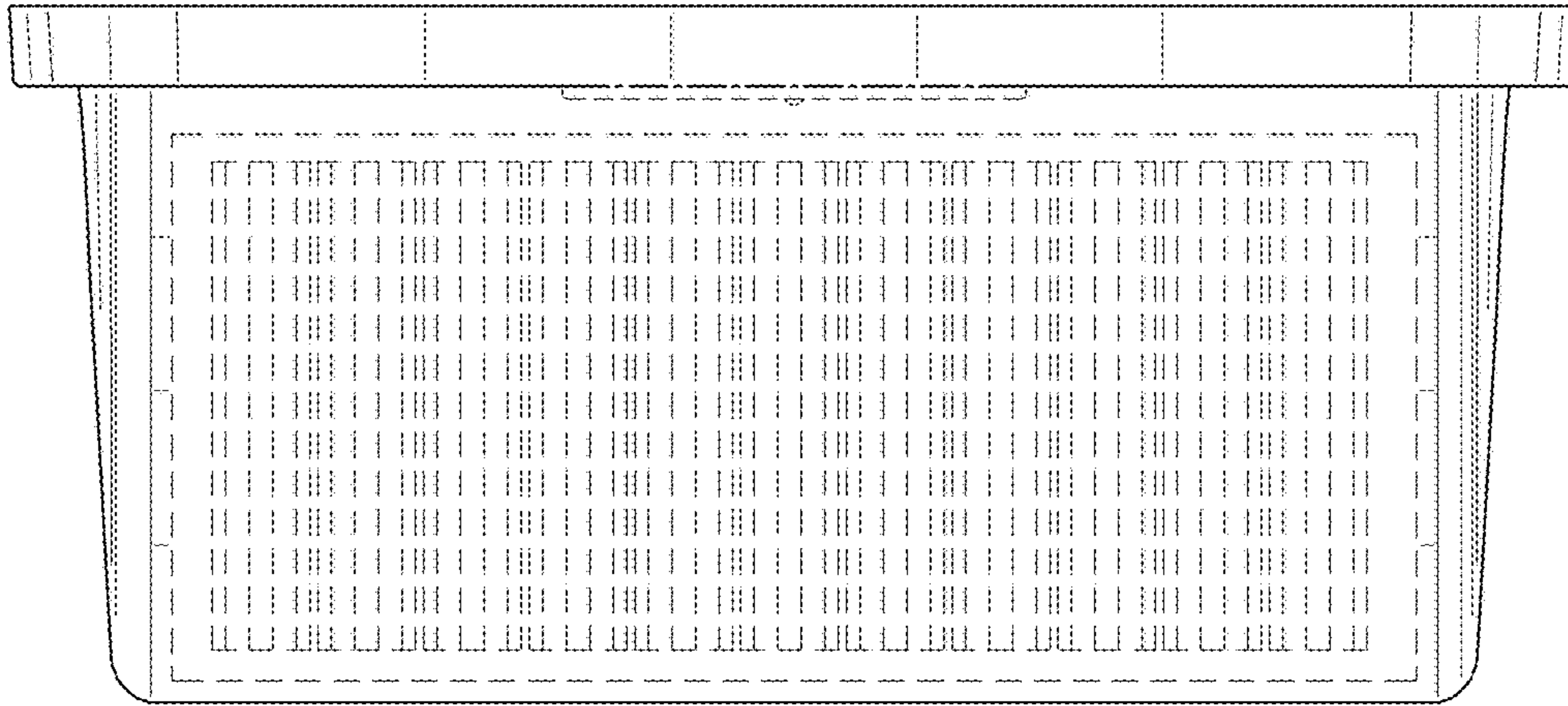


FIG. 7

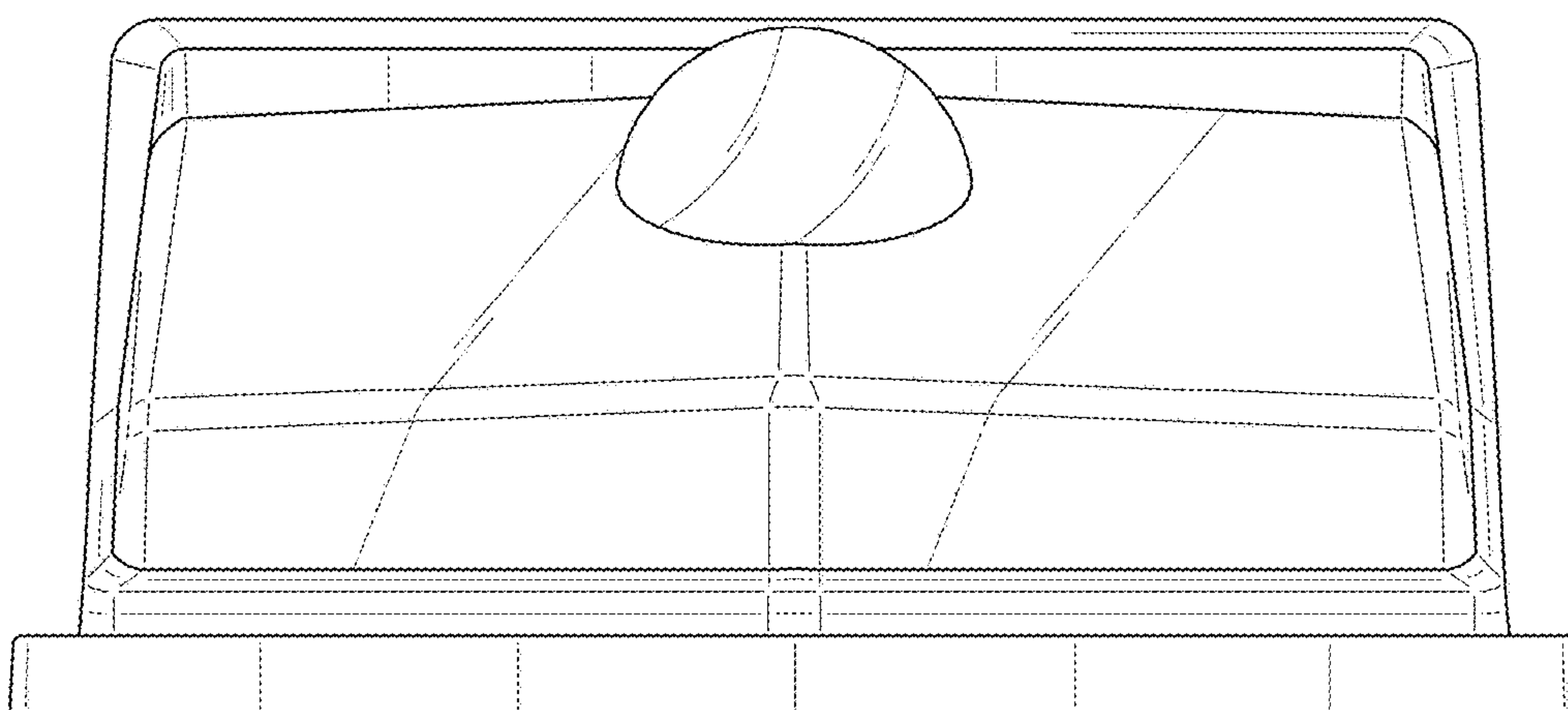


FIG. 8