



US00D848048S

(12) **United States Design Patent**
Baumeister et al.

(10) **Patent No.:** **US D848,048 S**

(45) **Date of Patent:** **** May 7, 2019**

(54) **LED LIGHT**

(71) Applicant: **BJB GmbH & Co. KG**, Arnsberg (DE)

(72) Inventors: **Olaf Baumeister**, Sundern (DE); **Frank Welslau**, Arnsberg (DE)

(73) Assignee: **BJB GmbH & Co. KG**, Arnsberg (DE)

(**) Term: **15 Years**

(21) Appl. No.: **29/627,766**

(22) Filed: **Nov. 29, 2017**

Related U.S. Application Data

(62) Division of application No. 29/554,192, filed on Feb. 9, 2016.

(30) **Foreign Application Priority Data**

Aug. 18, 2015 (EP) 002756296

(51) **LOC (11) Cl.** **26-05**

(52) **U.S. Cl.**
USPC **D26/74**

(58) **Field of Classification Search**

USPC D26/74, 72, 75, 76, 77, 78, 85, 88, 89,
D26/118, 138, 141; 362/364, 365, 373,
362/145, 146, 147, 148, 150, 153, 153.1,
362/294, 296.01, 296.07, 296.08

See application file for complete search history.

(56) **References Cited**

U.S. PATENT DOCUMENTS

D487,816 S * 3/2004 Benghozi D26/118
D488,583 S * 4/2004 Benghozi D26/118

D509,016 S * 8/2005 Benghozi D26/74
D544,979 S * 6/2007 Hartmann, Jr. D26/74
D665,117 S * 8/2012 Yoshida D26/74
D724,775 S * 3/2015 van Dijk D26/74
D766,486 S * 9/2016 Boomgaarden D26/74
D785,848 S * 5/2017 Couture D26/89

* cited by examiner

Primary Examiner — Angela J Lee

(74) *Attorney, Agent, or Firm* — Von Rohrscheidt Patents

(57) **CLAIM**

The ornamental design for a LED light, as shown and described.

DESCRIPTION

FIG. 1 illustrates a top view of the first embodiment of the LED light showing the new design.

FIG. 2 illustrates a top view of the LED light in FIG. 1.

FIG. 3 illustrates a rear view of the LED light in FIG. 1.

FIG. 4 illustrates a side view of the LED light in FIG. 1.

FIG. 5 illustrates a side view of the LED light in FIG. 1.

FIG. 6 illustrates a side of the LED light FIG. 1.

FIG. 7 illustrates a side view of the LED light in FIG. 1.

FIG. 8 illustrates a top view of the second embodiment of the LED light showing the new design.

FIG. 9 illustrates a top view of the LED light in FIG. 8.

FIG. 10 illustrates a rear side view of the LED light in FIG. 8.

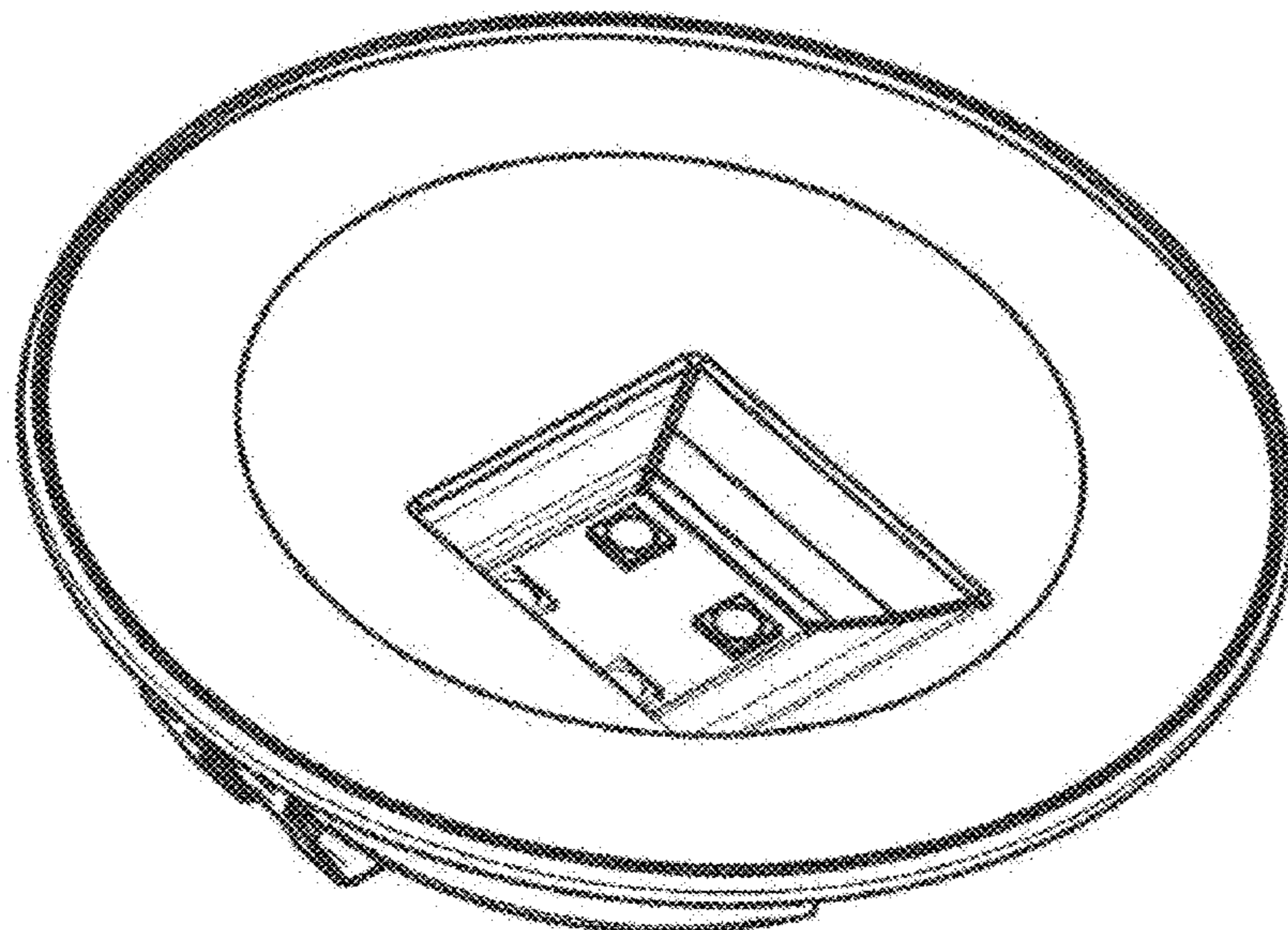
FIG. 11 illustrates a side of the LED light FIG. 8.

FIG. 12 illustrates a side view of the LED light in FIG. 8.

FIG. 13 illustrates a side view of the LED light in FIG. 8; and,

FIG. 14 illustrates a side view of the LED light in FIG. 8.

1 Claim, 12 Drawing Sheets



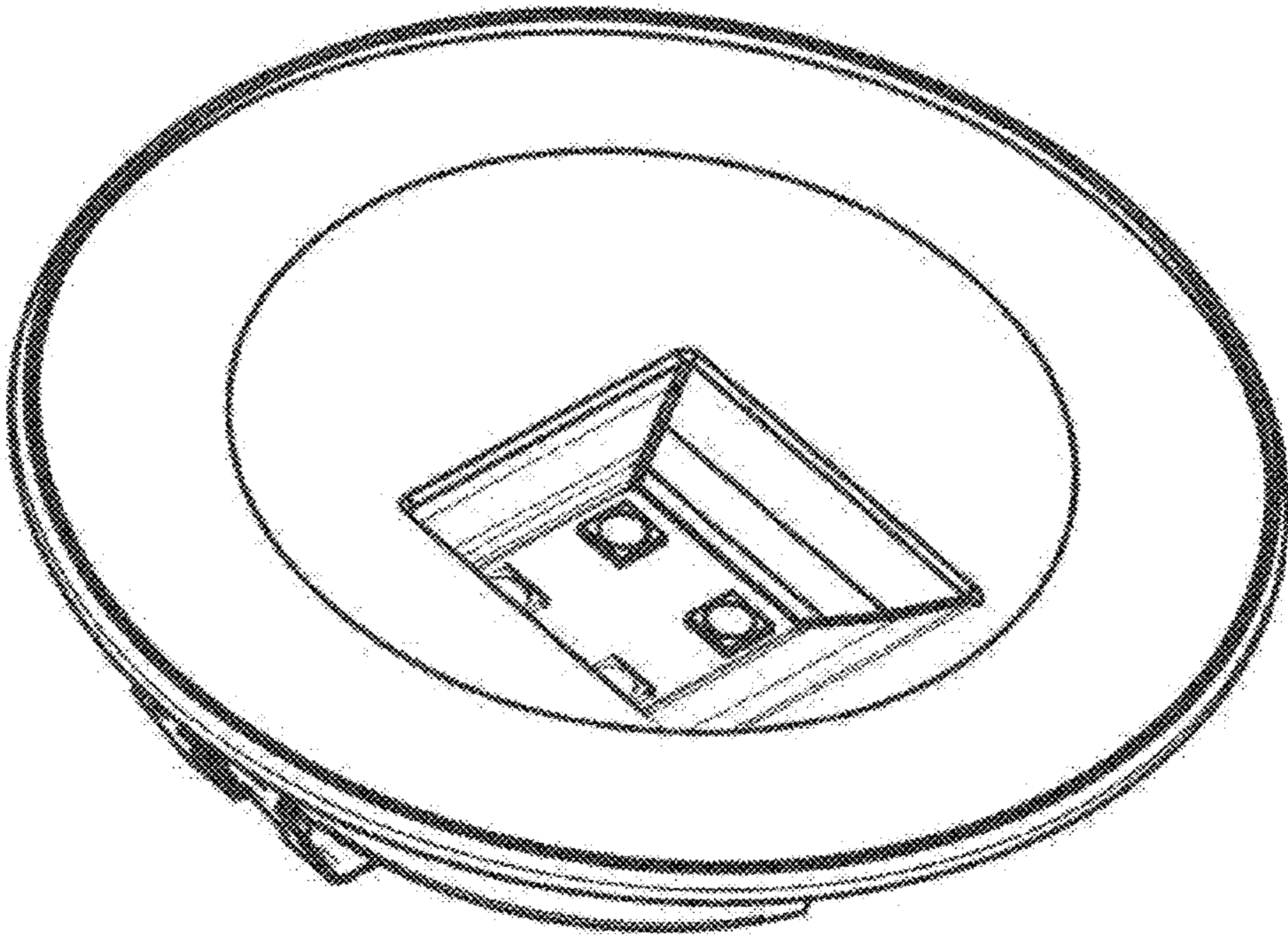


FIG. 1

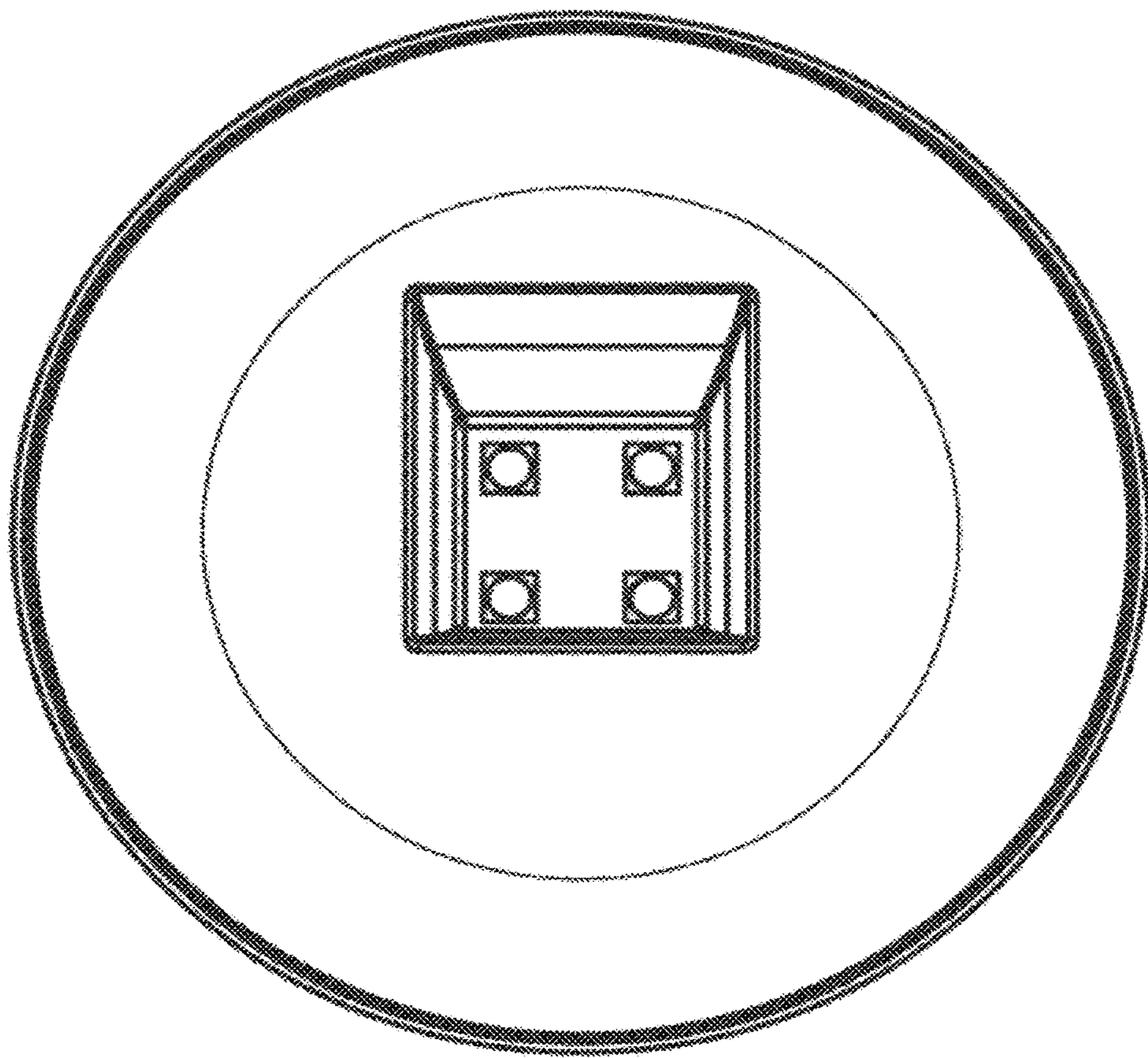


FIG. 2

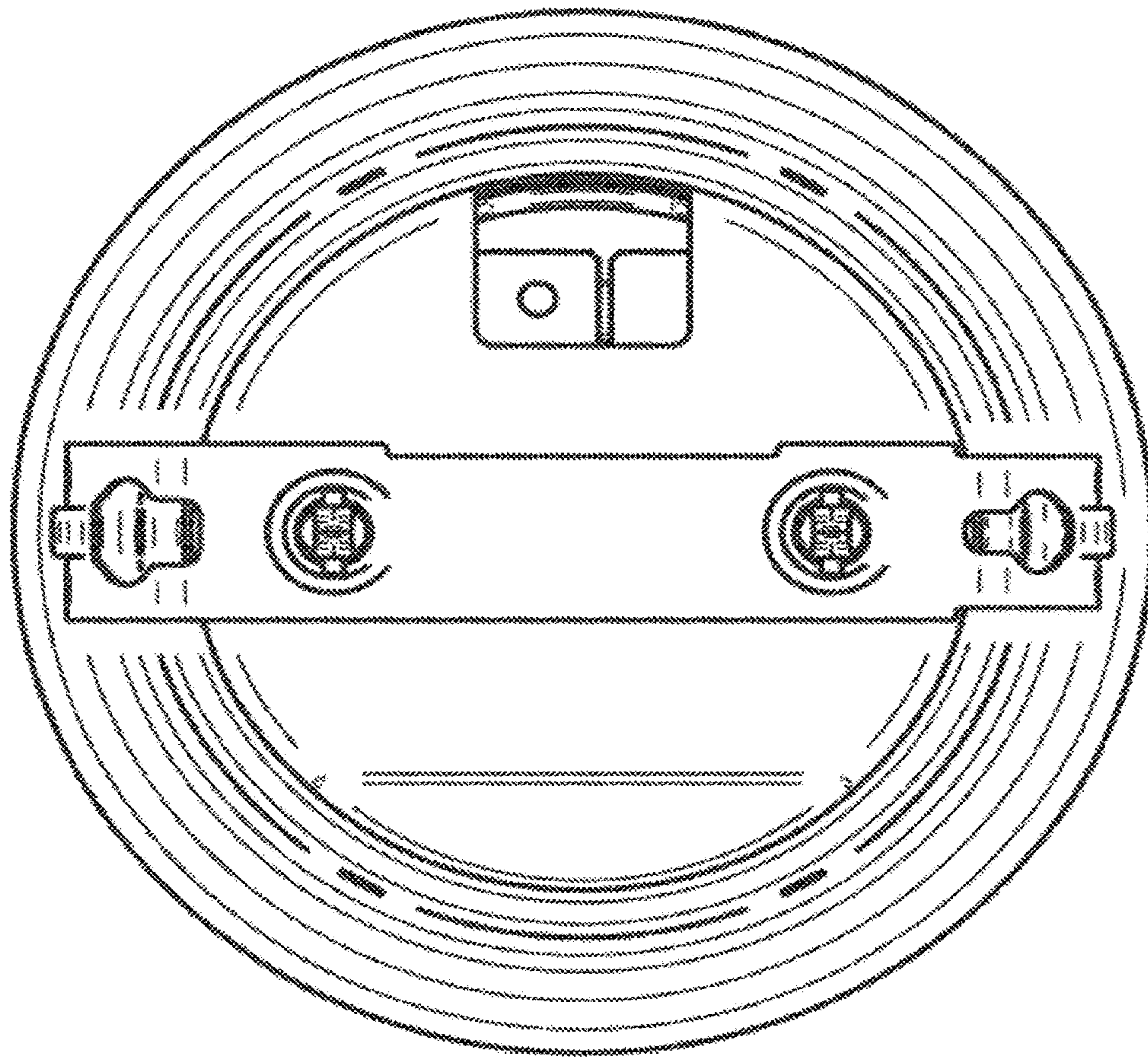


FIG. 3

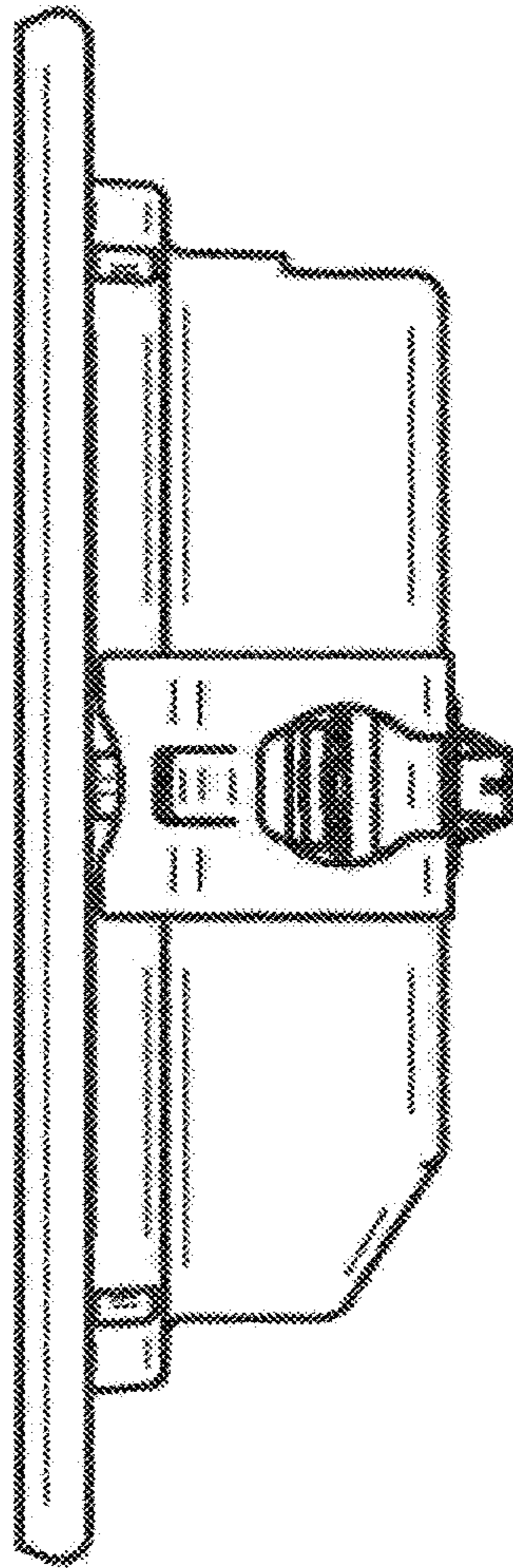


FIG. 4



FIG. 5

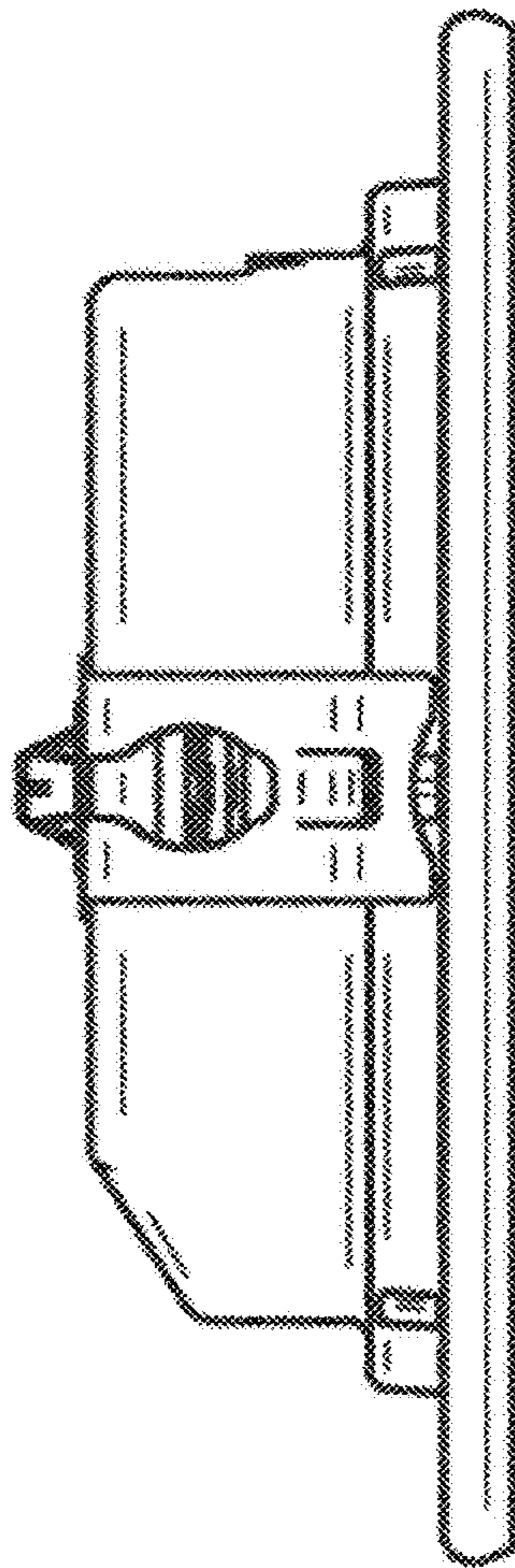


FIG. 6

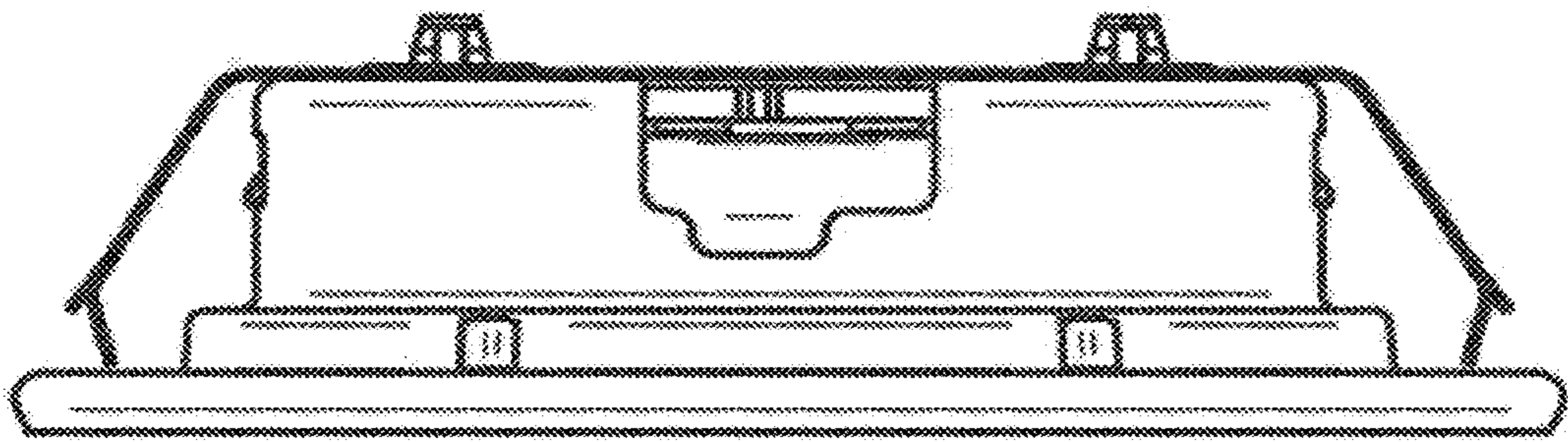


FIG. 7

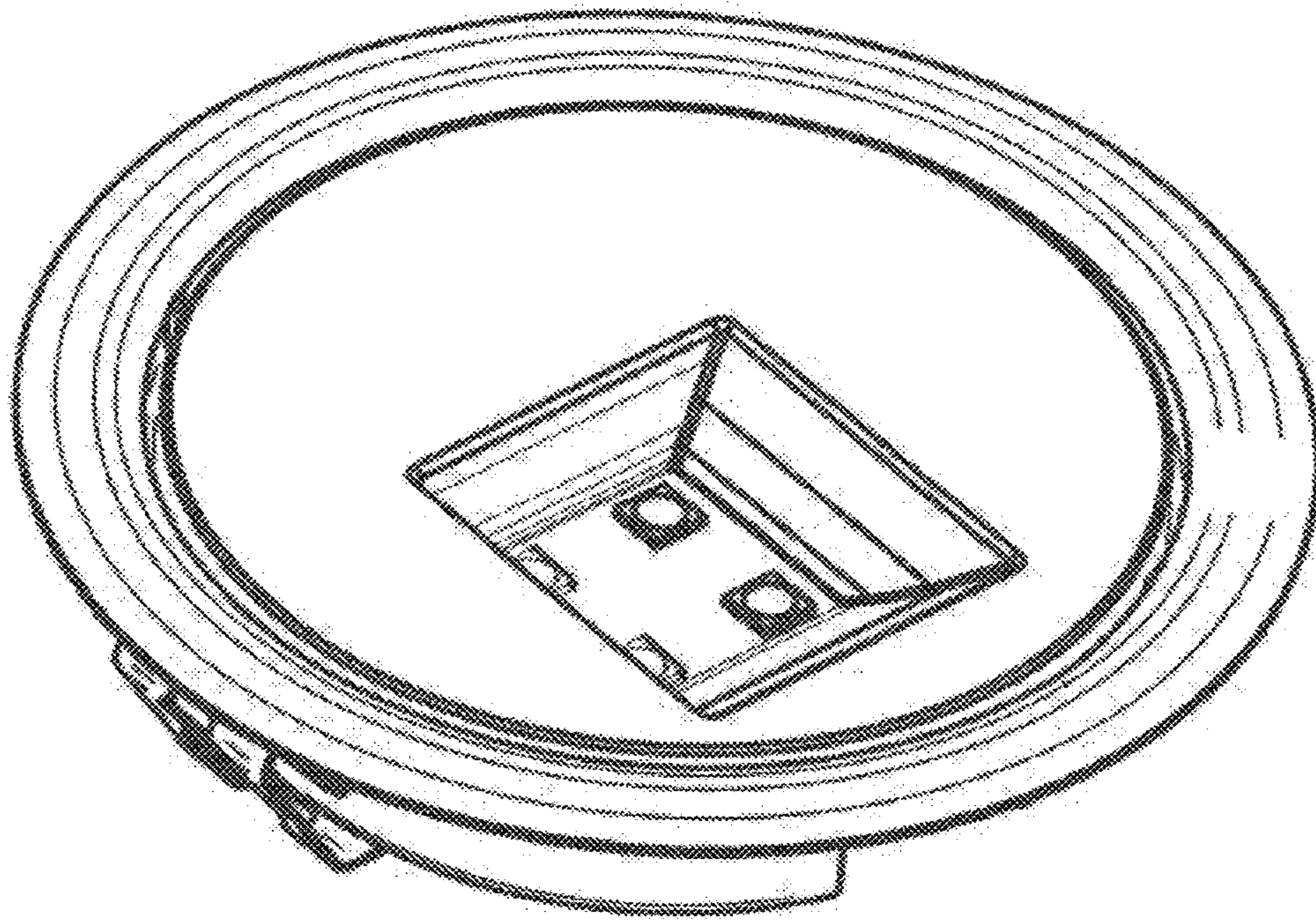


FIG. 8

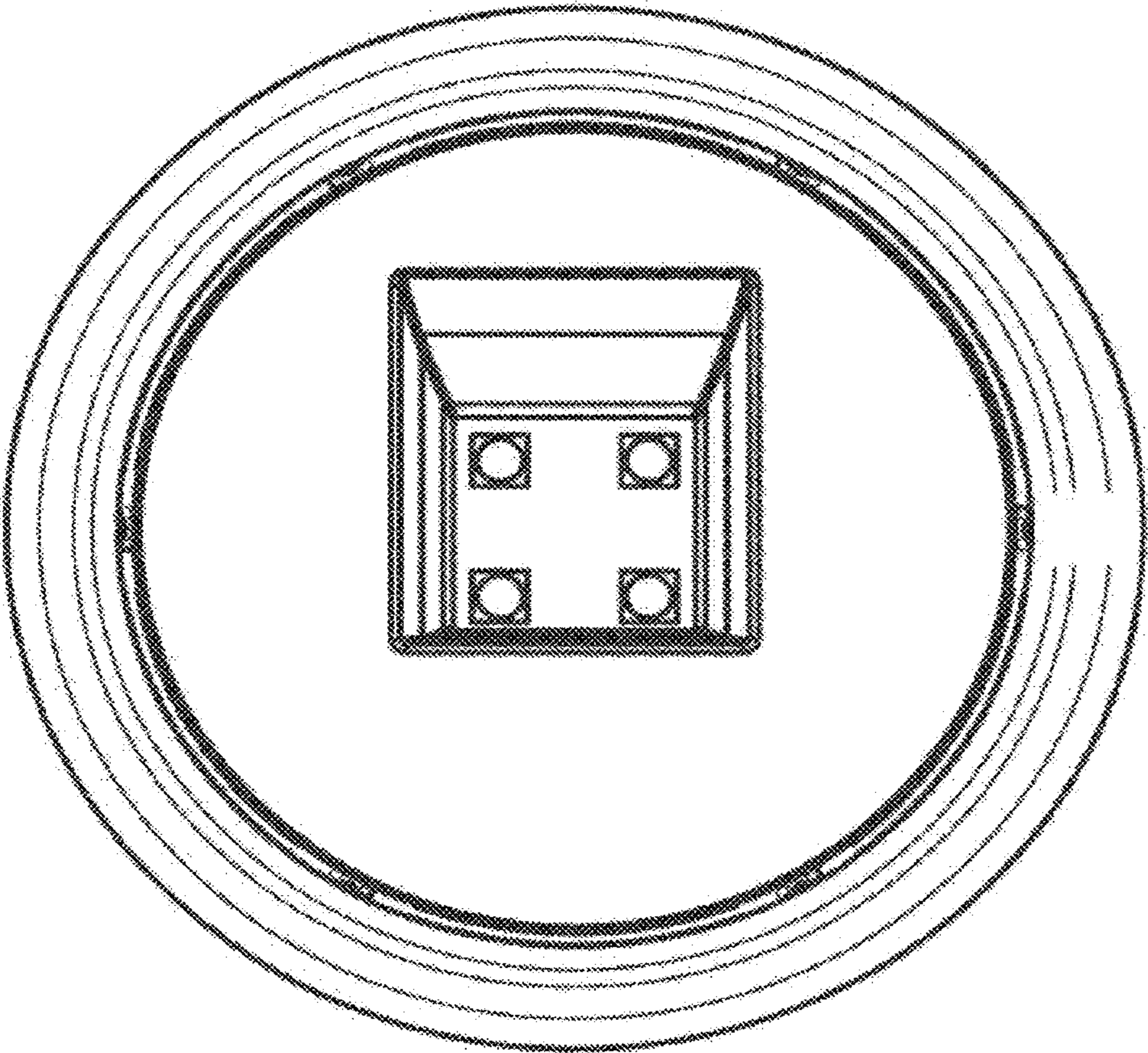


FIG. 9

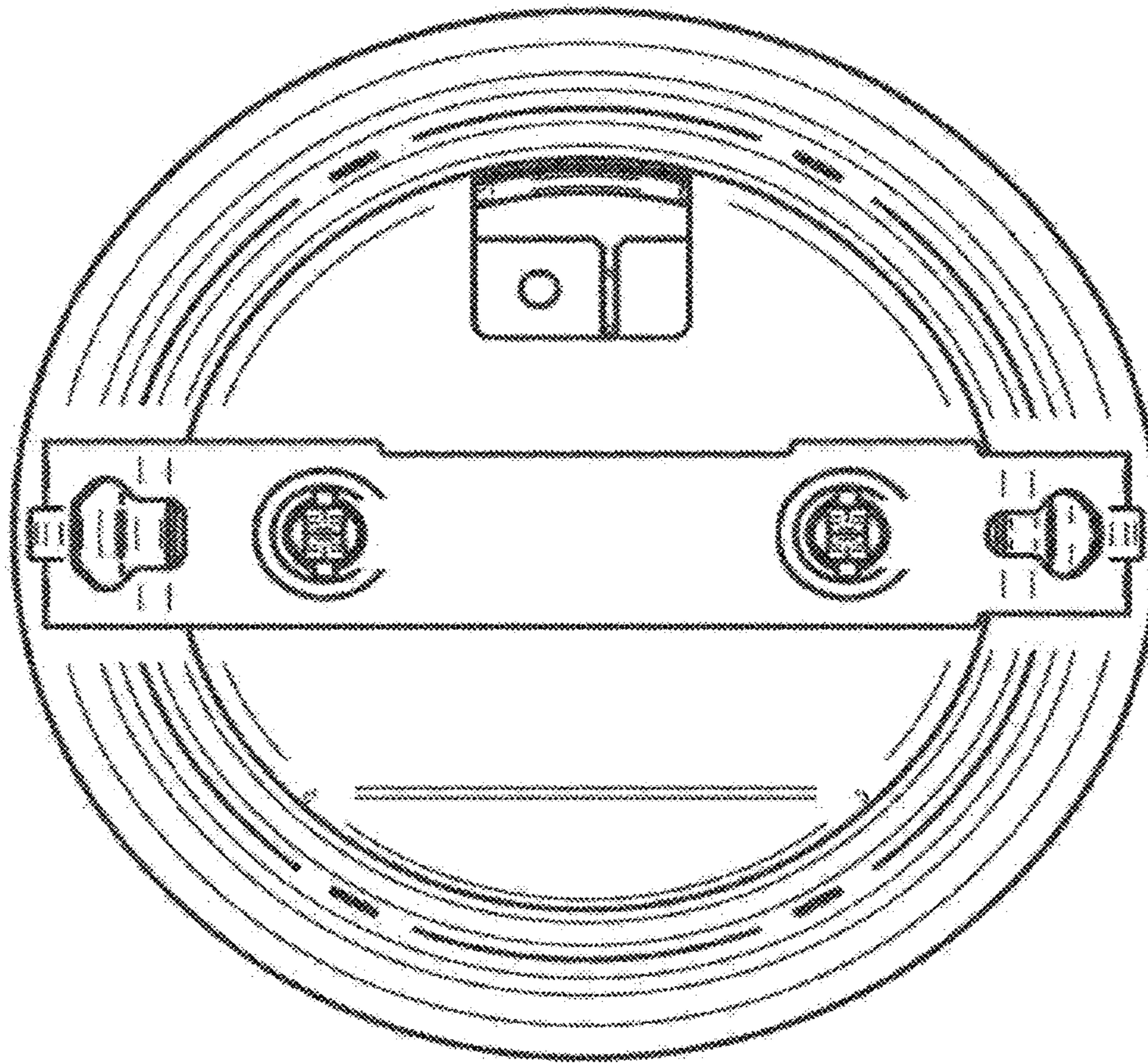


FIG. 10

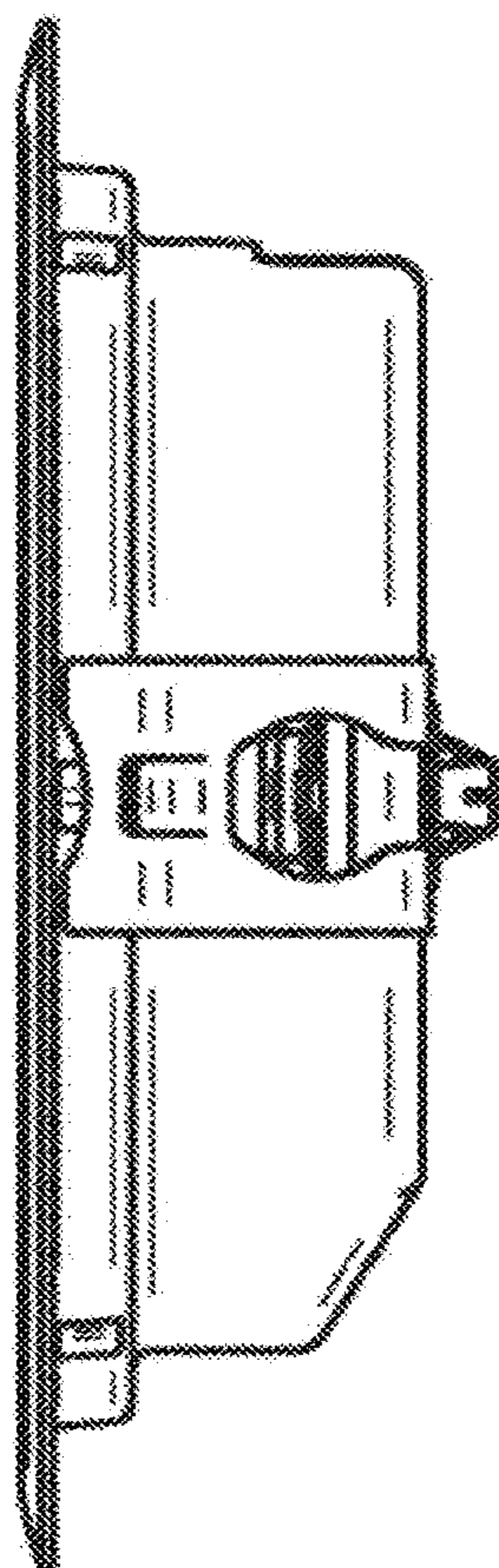


FIG. 11

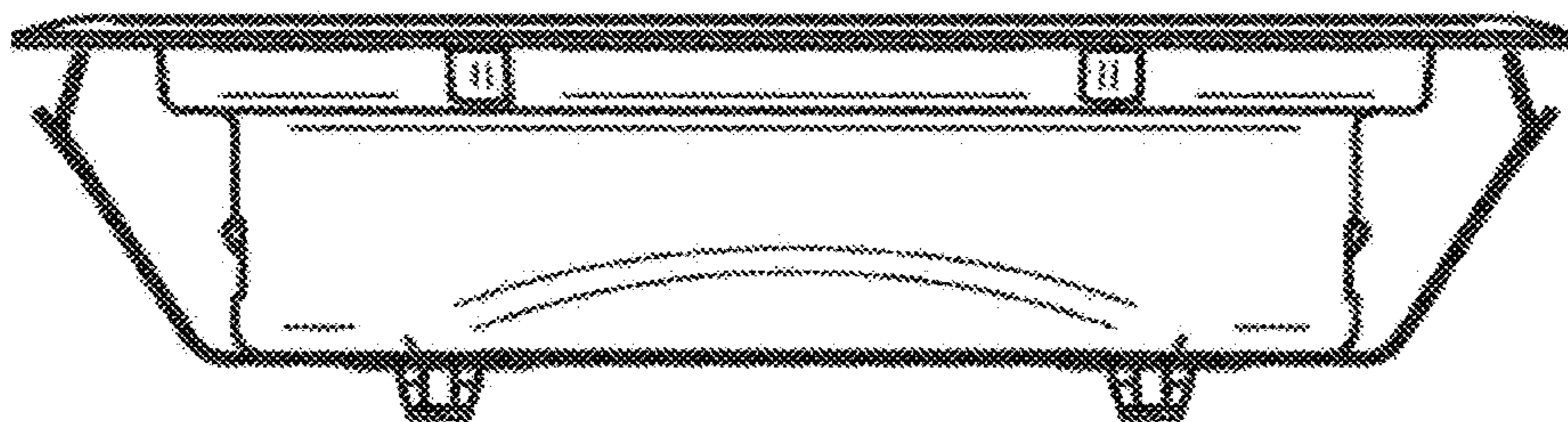


FIG. 12

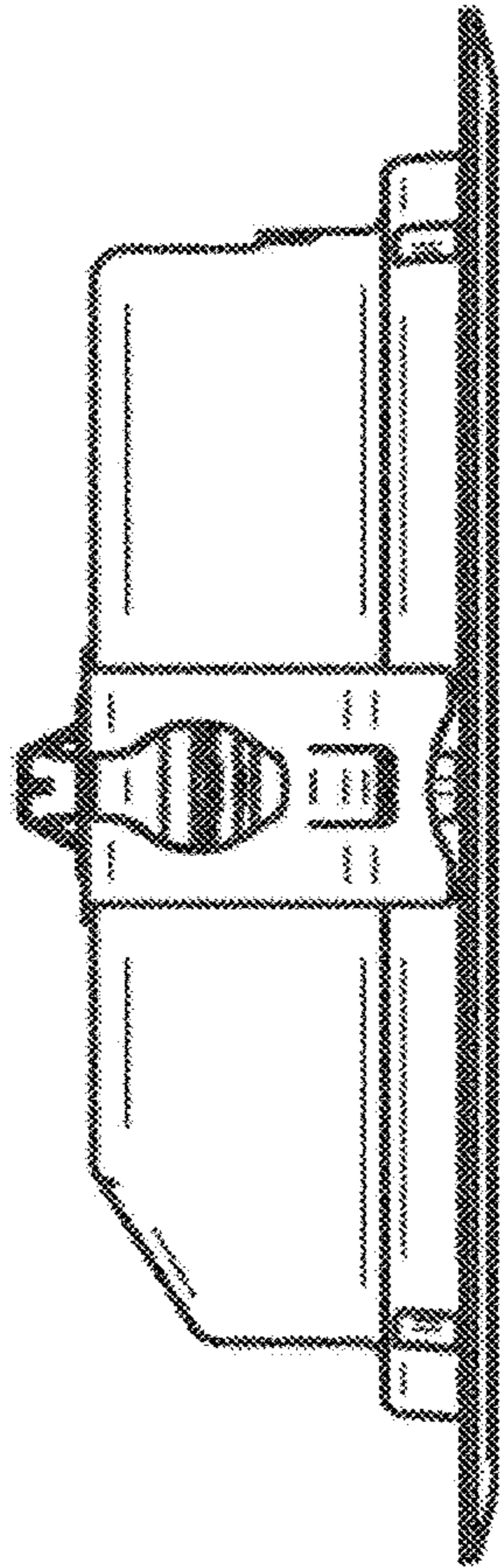


FIG. 13

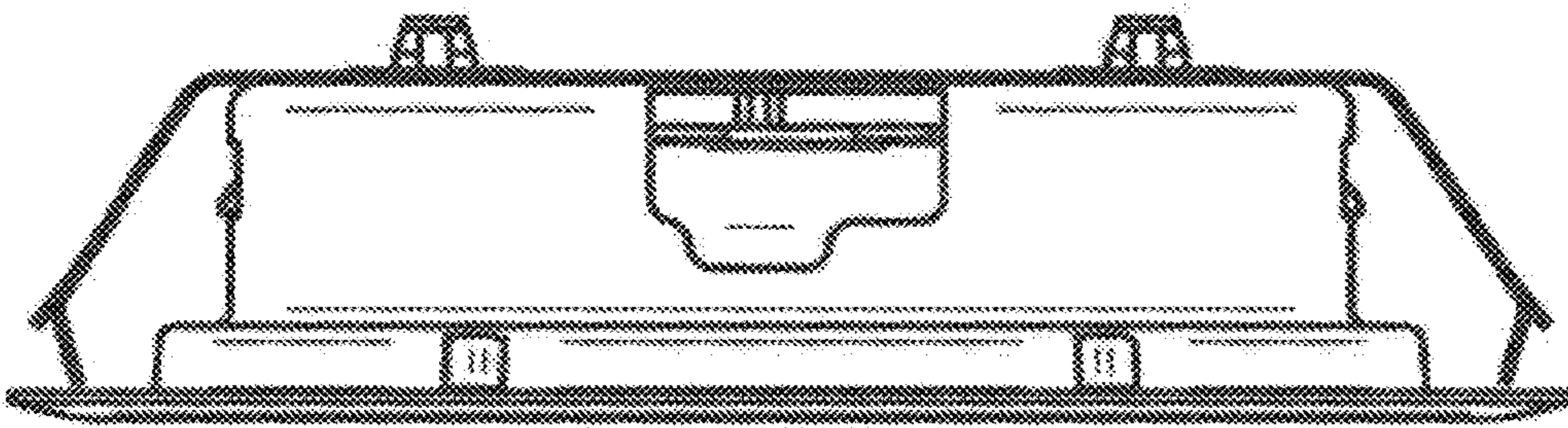


FIG. 14