

US00D848046S

(12) **United States Design Patent**  
**Zhuo**

(10) **Patent No.:** **US D848,046 S**

(45) **Date of Patent:** **\*\* May 7, 2019**

(54) **SOLAR SPOTLIGHT**

(71) Applicant: **ZHONGSHAN YINGHAO SOLAR TECHNOLOGY CO., LTD,**  
Zhongshan (CN)

(72) Inventor: **Qiang Zhuo,** Zhongshan (CN)

(73) Assignee: **Zhongshan Yinghao Solar Technology Co., Ltd,** Zhongshan (CN)

(\*\*) Term: **15 Years**

(21) Appl. No.: **29/627,195**

(22) Filed: **Nov. 22, 2017**

(51) **LOC (11) Cl.** ..... **26-05**

(52) **U.S. Cl.**  
USPC ..... **D26/67**

(58) **Field of Classification Search**  
USPC ..... D26/63, 67-71, 118  
CPC .. F21S 8/032; F21S 8/081; F21S 8/083; F21S 8/085; F21S 8/086; F21S 8/088; F21S 9/032; F21S 9/035; F21S 9/037; F21V 21/0824; F21W 2111/02; F21W 2111/023; F21W 2131/103; F21W 2131/109  
See application file for complete search history.

(56) **References Cited**

**U.S. PATENT DOCUMENTS**

D615,688 S *	5/2010	Chen	.....	D26/63
D638,159 S *	5/2011	Yao	.....	D26/63
D647,234 S *	10/2011	Izardel	.....	D26/65
D762,903 S *	8/2016	Tsai	.....	D26/63
D764,694 S *	8/2016	Tsai	.....	D26/63

D777,965 S *	1/2017	Mirchandani	.....	D26/63
D798,484 S *	9/2017	Lentine	.....	D26/63
D810,342 S *	2/2018	Chen	.....	D26/68
2005/0103378 A1 *	5/2005	Pu	.....	F21S 9/032 136/244
2007/0171655 A1 *	7/2007	Lai	.....	F21V 21/0824 362/362
2016/0369996 A1 *	12/2016	Qin	.....	F21V 21/0824
2017/0045208 A1 *	2/2017	Lentine	.....	F21V 21/0824
2017/0045212 A1 *	2/2017	Ghasabi	.....	F21V 21/0824

\* cited by examiner

*Primary Examiner* — Clare E Heflin

(74) *Attorney, Agent, or Firm* — Wayne & Ken, LLC;  
Tony Hom

(57) **CLAIM**

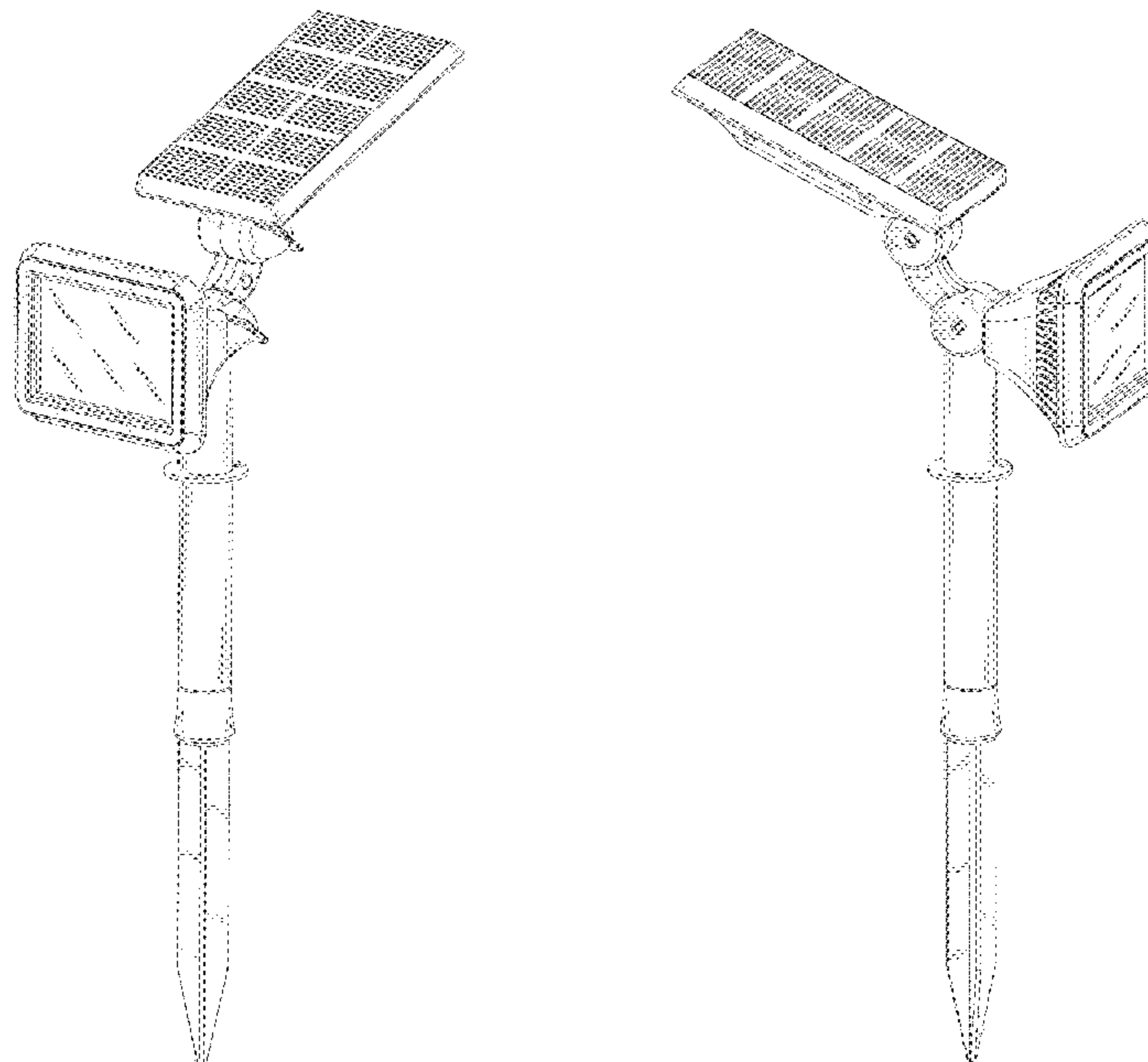
The ornamental design for the solar spotlight, as shown and described.

**DESCRIPTION**

FIG. 1 is a perspective view of a solar spotlight showing my new design;  
FIG. 2 is another perspective view thereof;  
FIG. 3 is a front view thereof;  
FIG. 4 is a back view thereof;  
FIG. 5 is a left view thereof;  
FIG. 6 is a right view thereof;  
FIG. 7 is a top view thereof; and,  
FIG. 8 is a bottom view thereof.

The broken lines shown on the drawings depict portions of the solar spotlight that form no part of the claimed design.

**1 Claim, 8 Drawing Sheets**



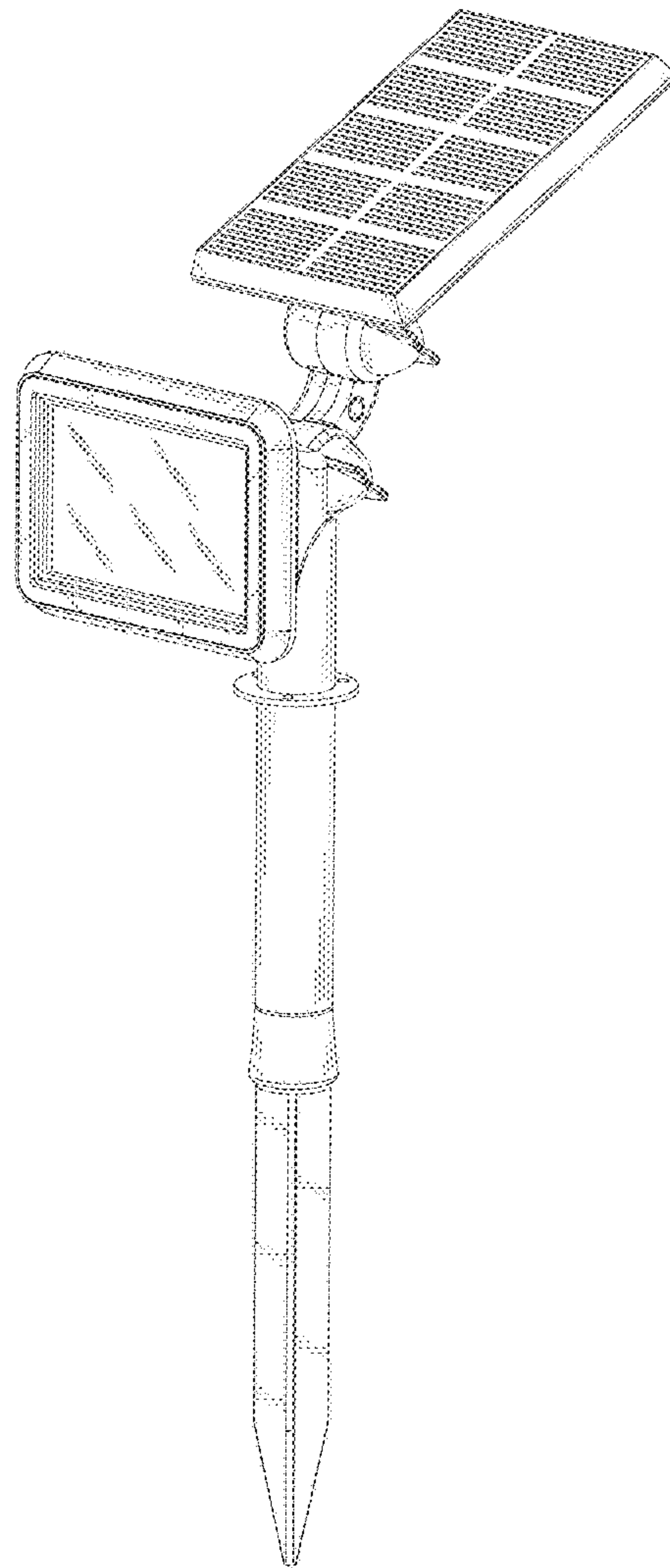


FIG. 1

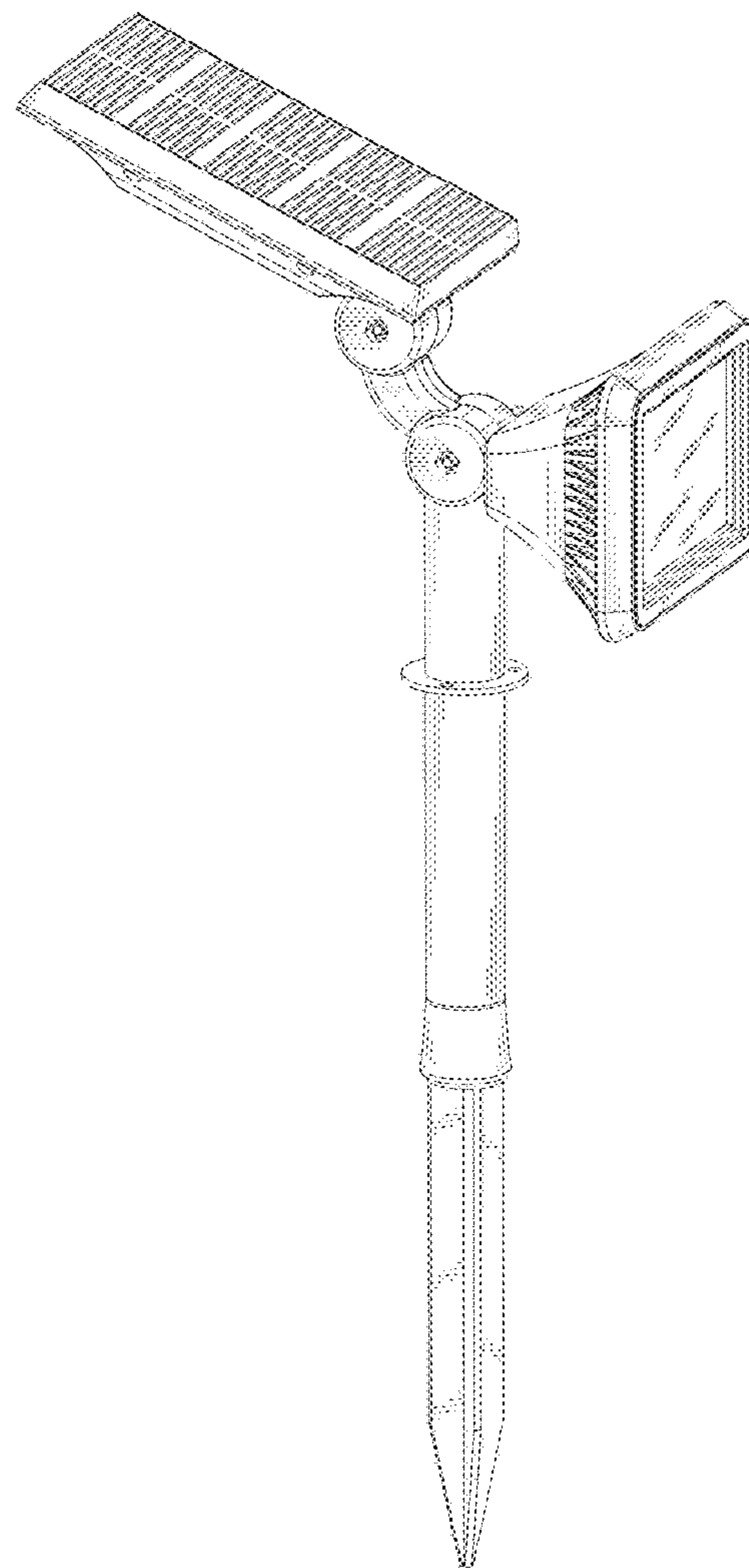


FIG. 2

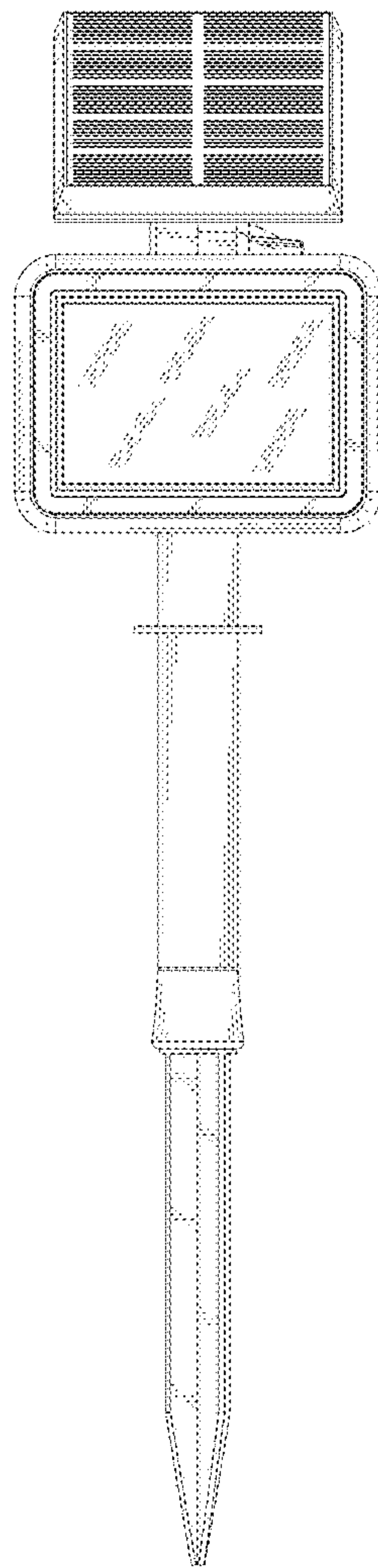


FIG. 3

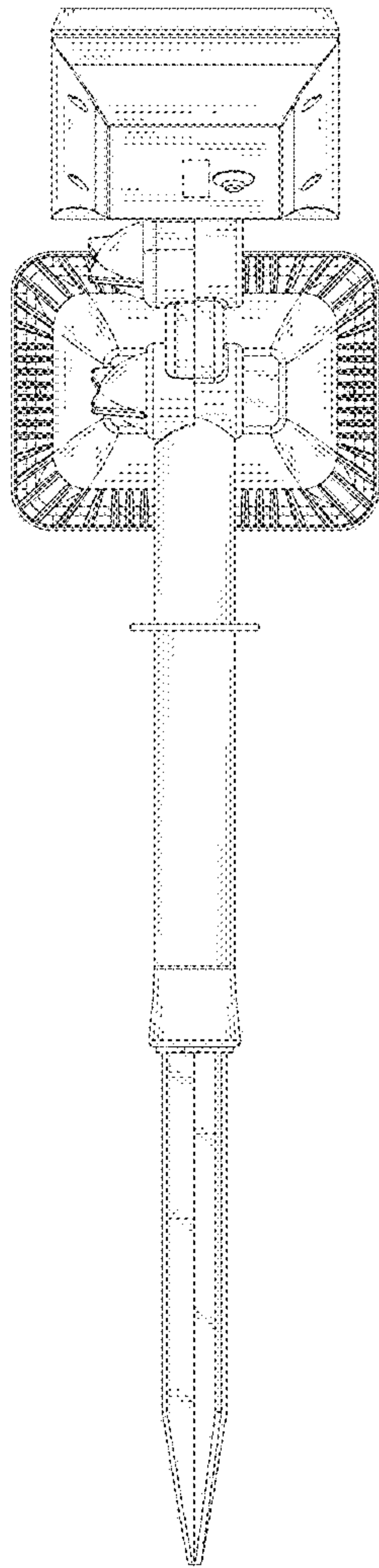


FIG. 4

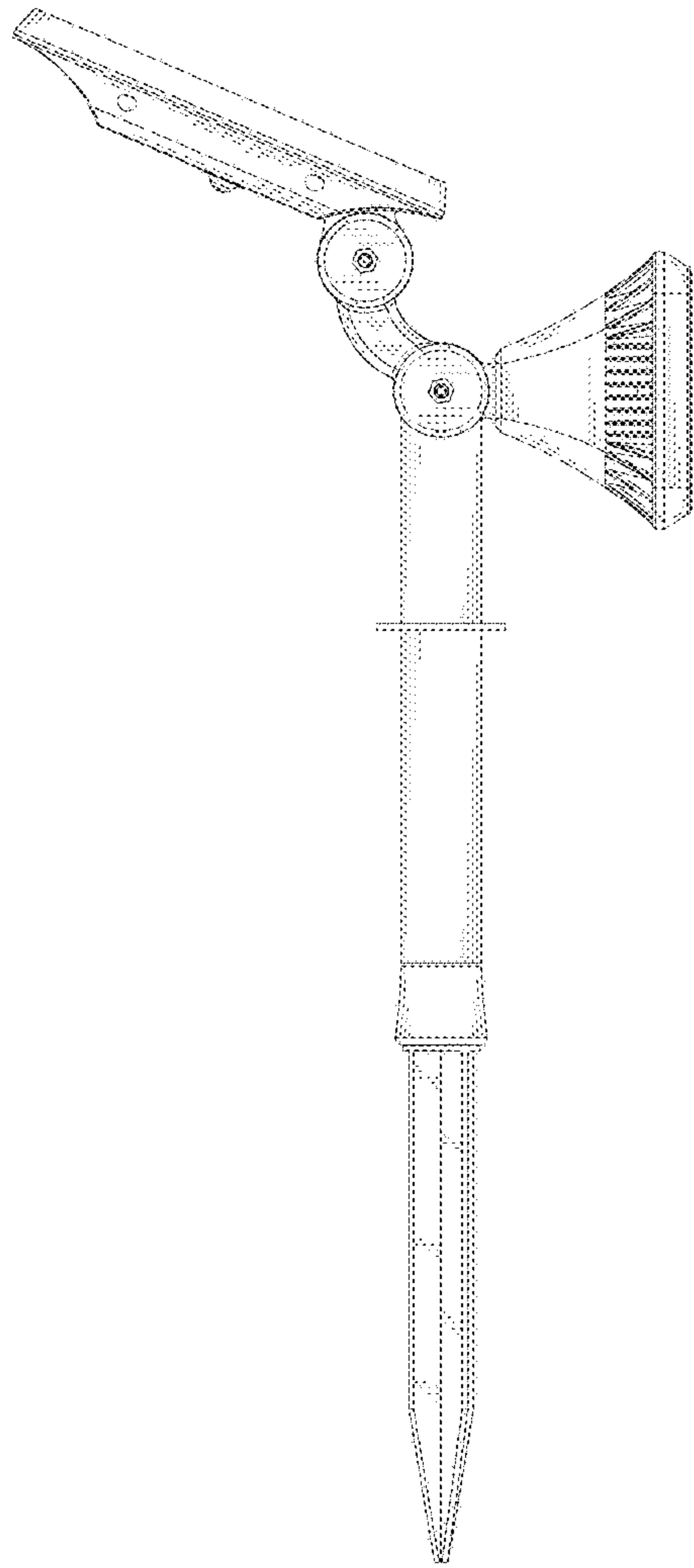


FIG. 5



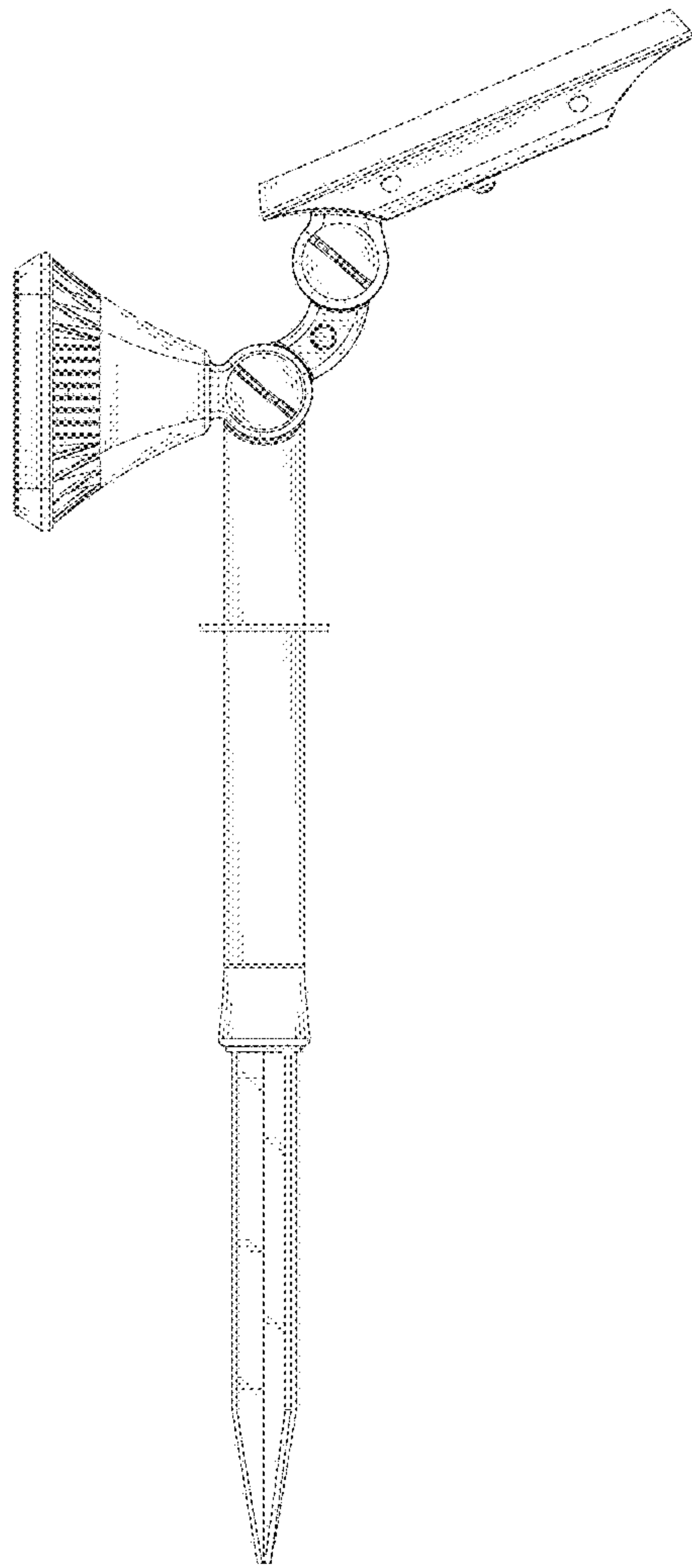


FIG. 6

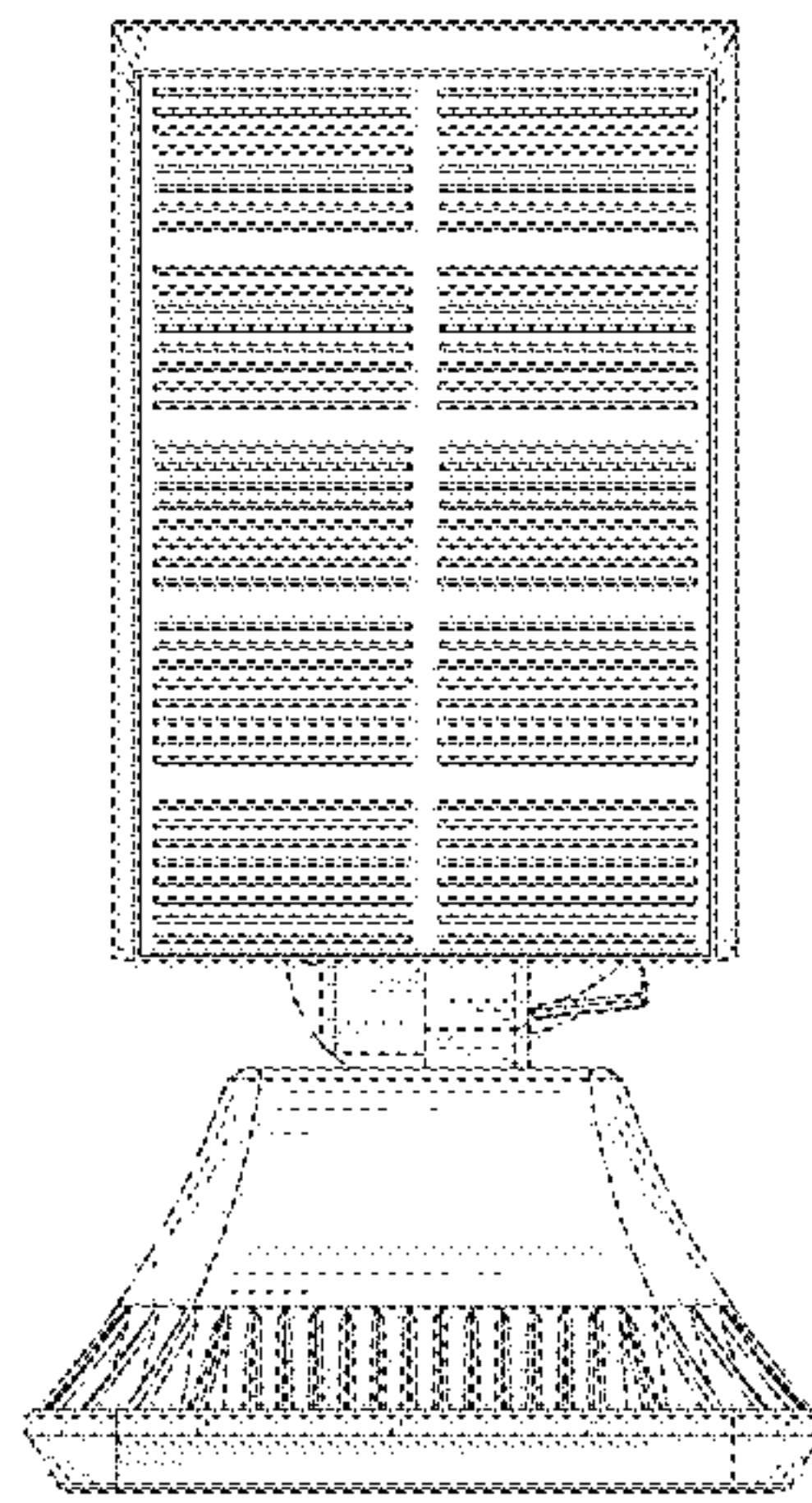


FIG. 7



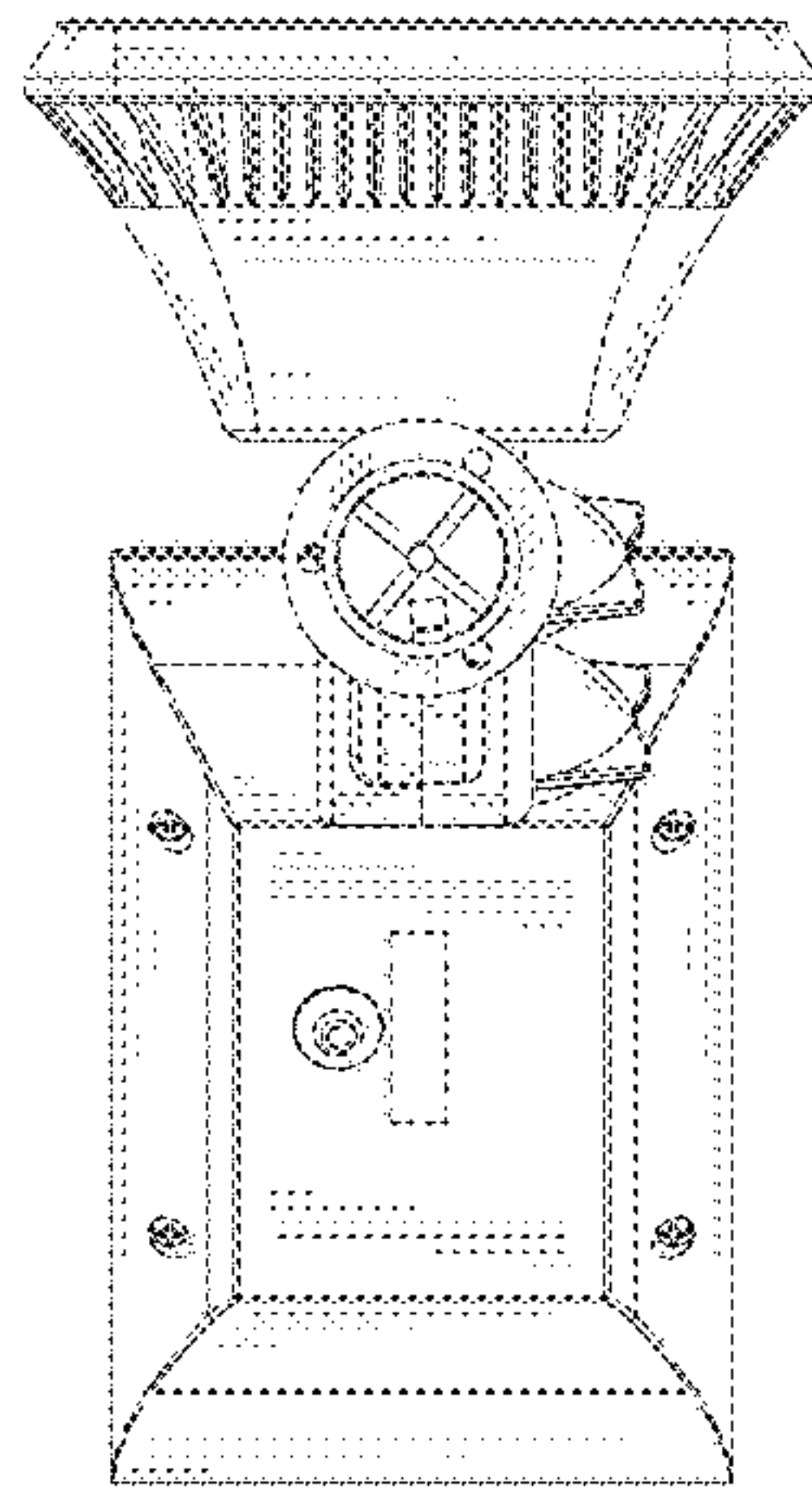


FIG. 8