



US00D848045S

(12) **United States Design Patent**
Liao

(10) **Patent No.:** **US D848,045 S**

(45) **Date of Patent:** **** May 7, 2019**

(54) **SOLAR SPOTLIGHT**

(71) Applicant: **ZHONGSHAN T-SUN OPTOELECTRONIC CO., LTD.**,
Zhongshan (CN)

(72) Inventor: **Fuqing Liao**, Zhongshan (CN)

(73) Assignee: **ZHONGSHAN T-SUN OPTOELECTRONIC CO., LTD.**,
Zhongshan (CN)

(**) Term: **15 Years**

(21) Appl. No.: **29/611,561**

(22) Filed: **Jul. 22, 2017**

(51) **LOC (11) Cl.** **26-03**

(52) **U.S. Cl.**
USPC **D26/63**

(58) **Field of Classification Search**
USPC D26/63, 67-70
CPC F21S 6/004; F21S 6/005; F21S 8/08; F21S 8/081; F21S 8/083; F21S 8/088; F21S 9/03; F21S 9/032; F21S 9/035; F21S 9/037; F21W 2131/109; F21W 2111/023; F21V 21/0824

See application file for complete search history.

(56) **References Cited**

U.S. PATENT DOCUMENTS

D615,688 S * 5/2010 Chen D26/63

D647,234 S * 10/2011 Izardel D26/65
D762,903 S * 8/2016 Tsai D26/63
D764,694 S * 8/2016 Tsai D26/63

* cited by examiner

Primary Examiner — Brian N. Vinson

(74) *Attorney, Agent, or Firm* — Yong Chen

(57) **CLAIM**

The ornamental design for a solar spotlight, as shown and described.

DESCRIPTION

FIG. 1 is a top view of a solar spotlight of the present invention.

FIG. 2 is a bottom view of the solar spotlight shown in FIG. 1.

FIG. 3 is a left view of the solar spotlight shown in FIG. 1.

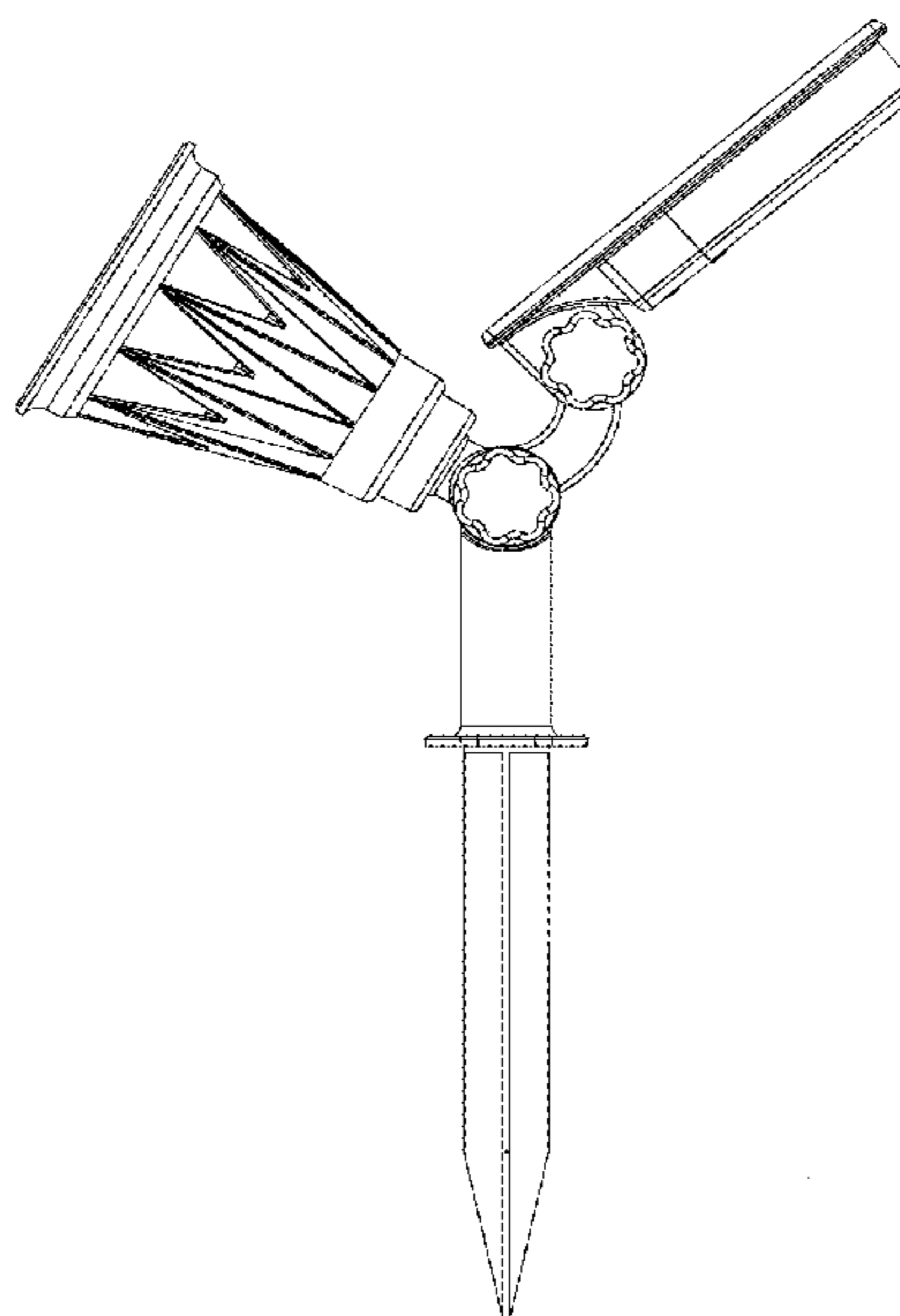
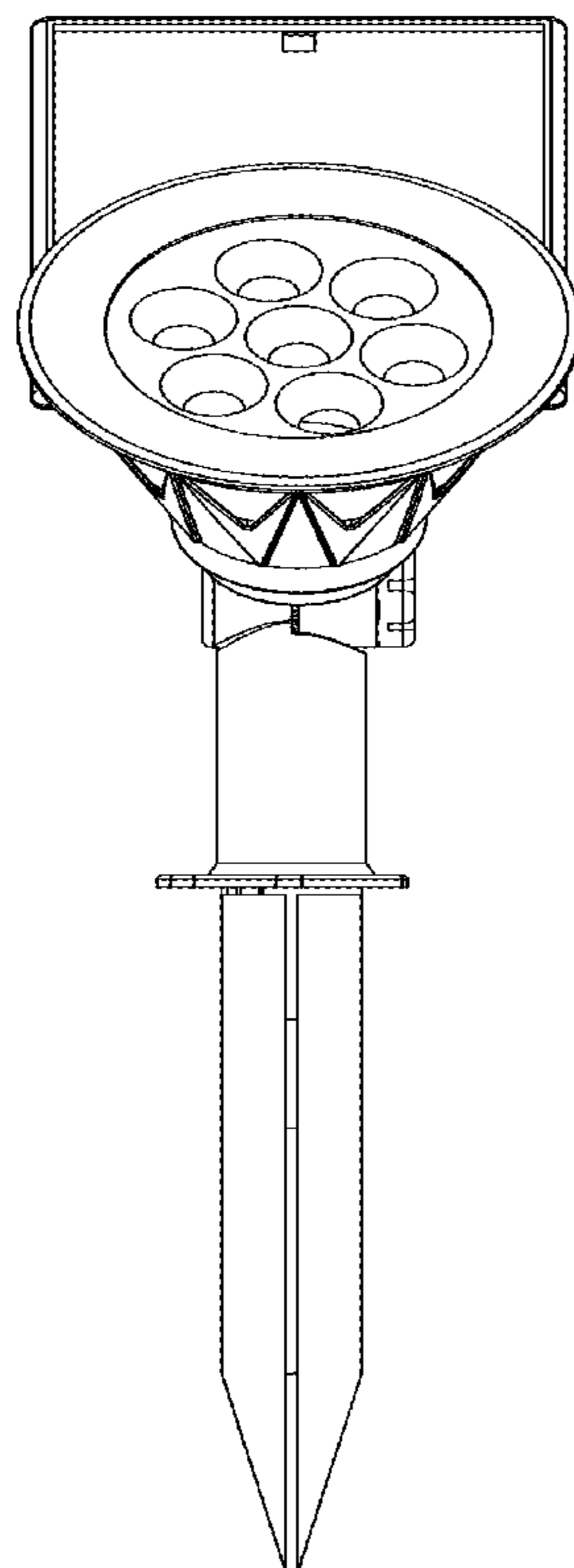
FIG. 4 is a right view of the solar spotlight shown in FIG. 1.

FIG. 5 is a front view of the solar spotlight shown in FIG. 1; and,

FIG. 6 is a back view of the solar spotlight shown in FIG. 1.

The broken line disclosure represents portions of the solar spotlight which form no part of the claimed design.

1 Claim, 6 Drawing Sheets



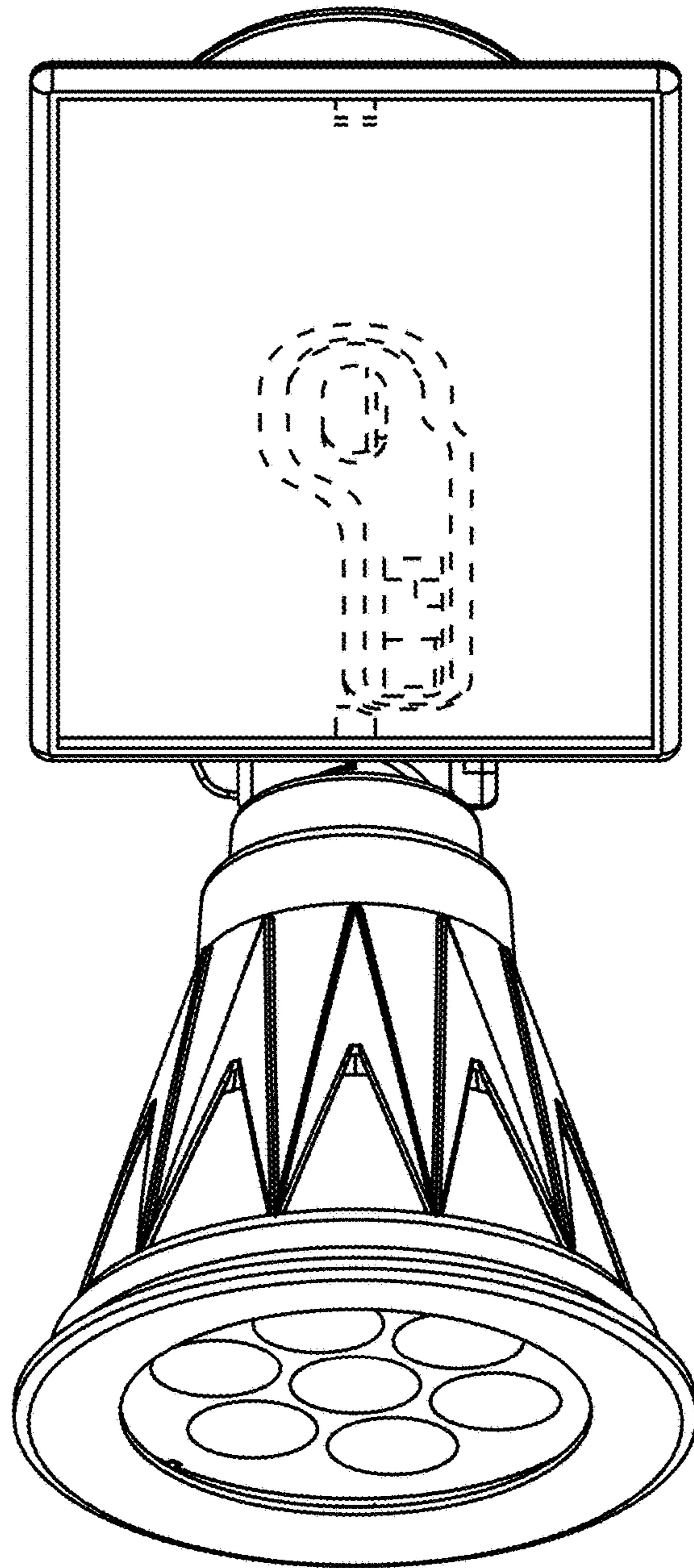


FIG. 1

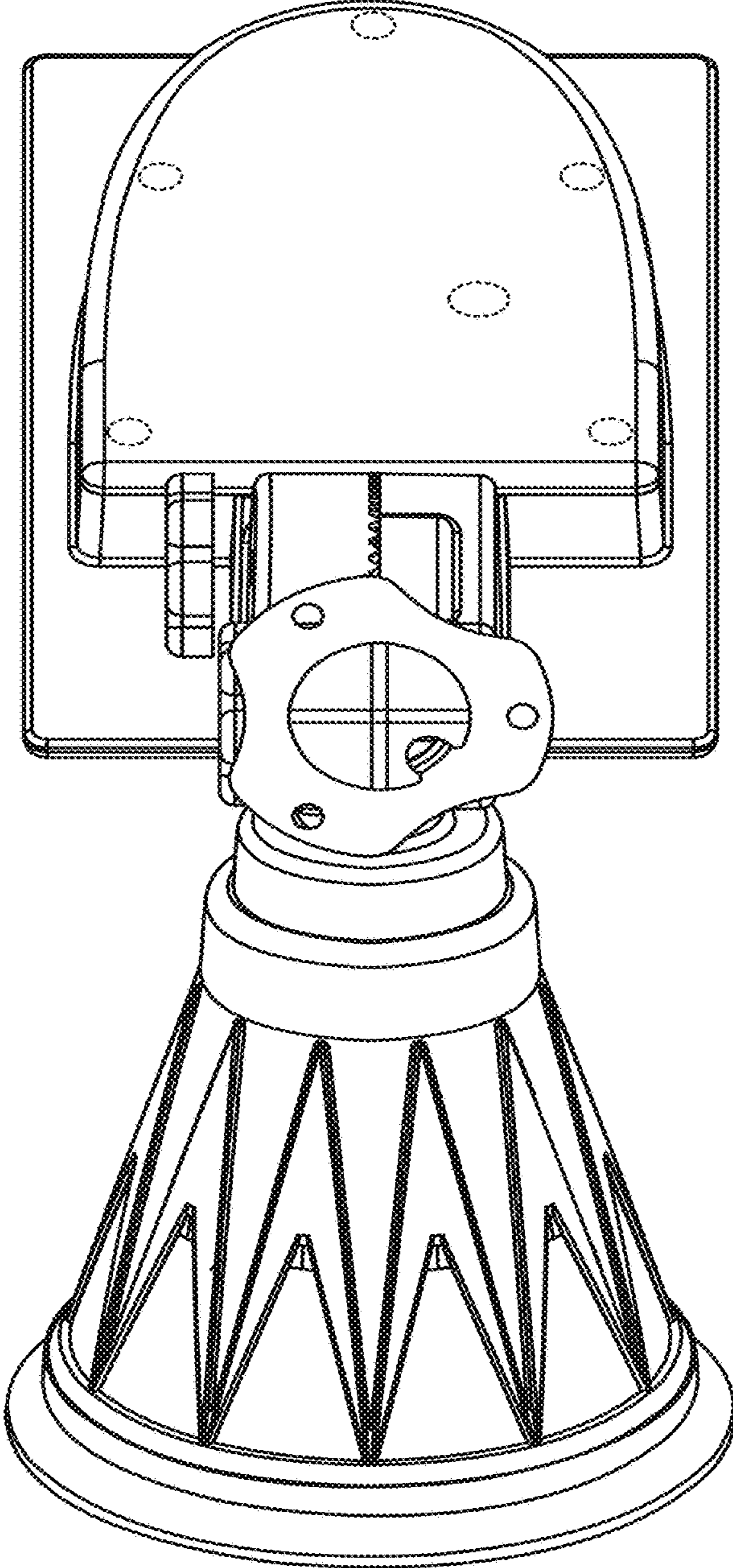


FIG. 2

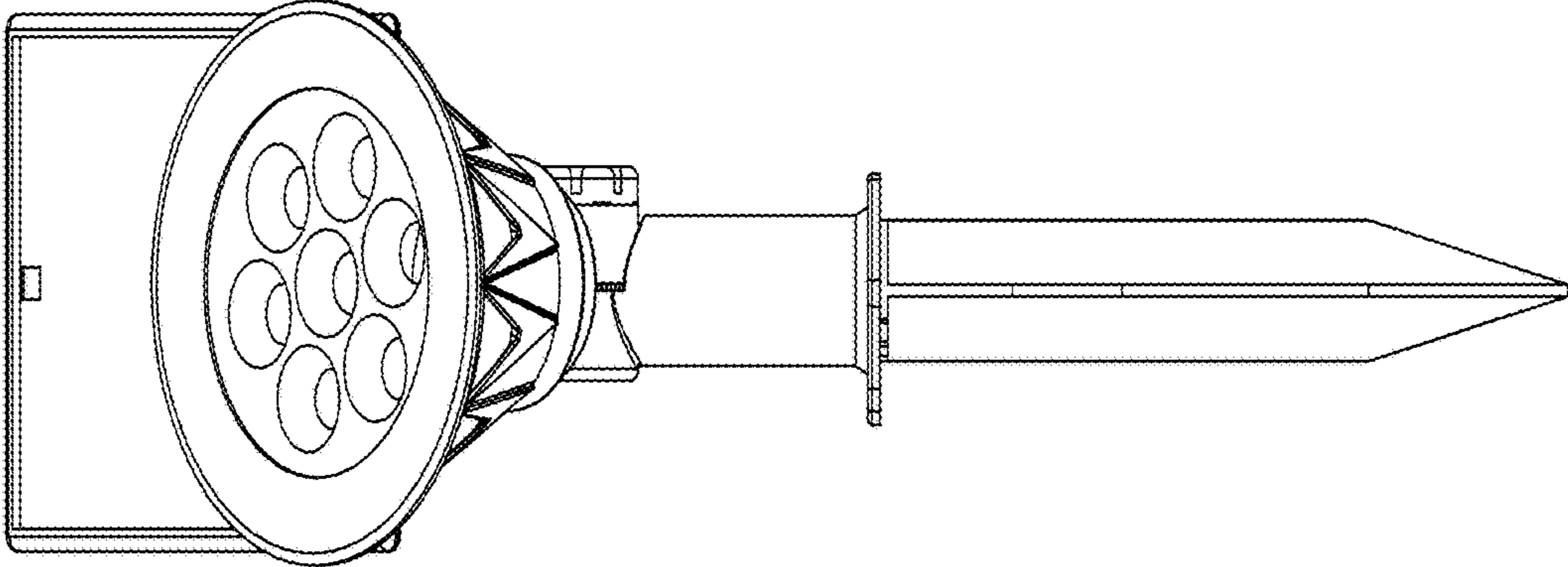


FIG. 3

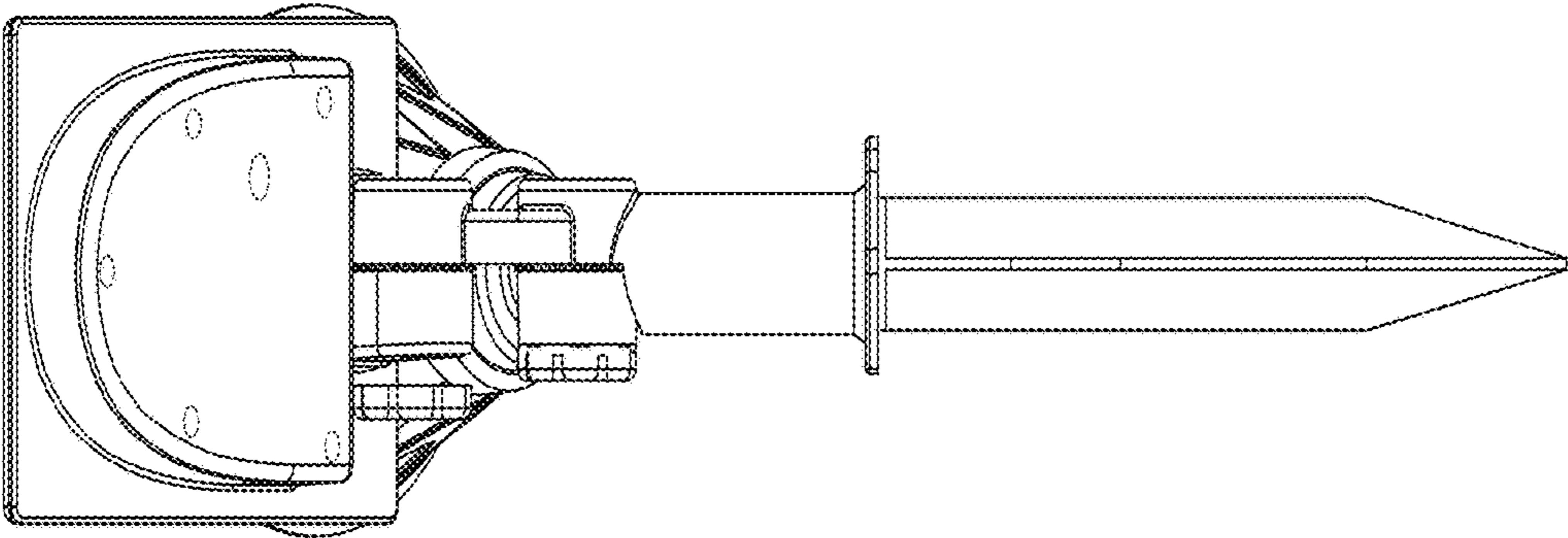


FIG. 4

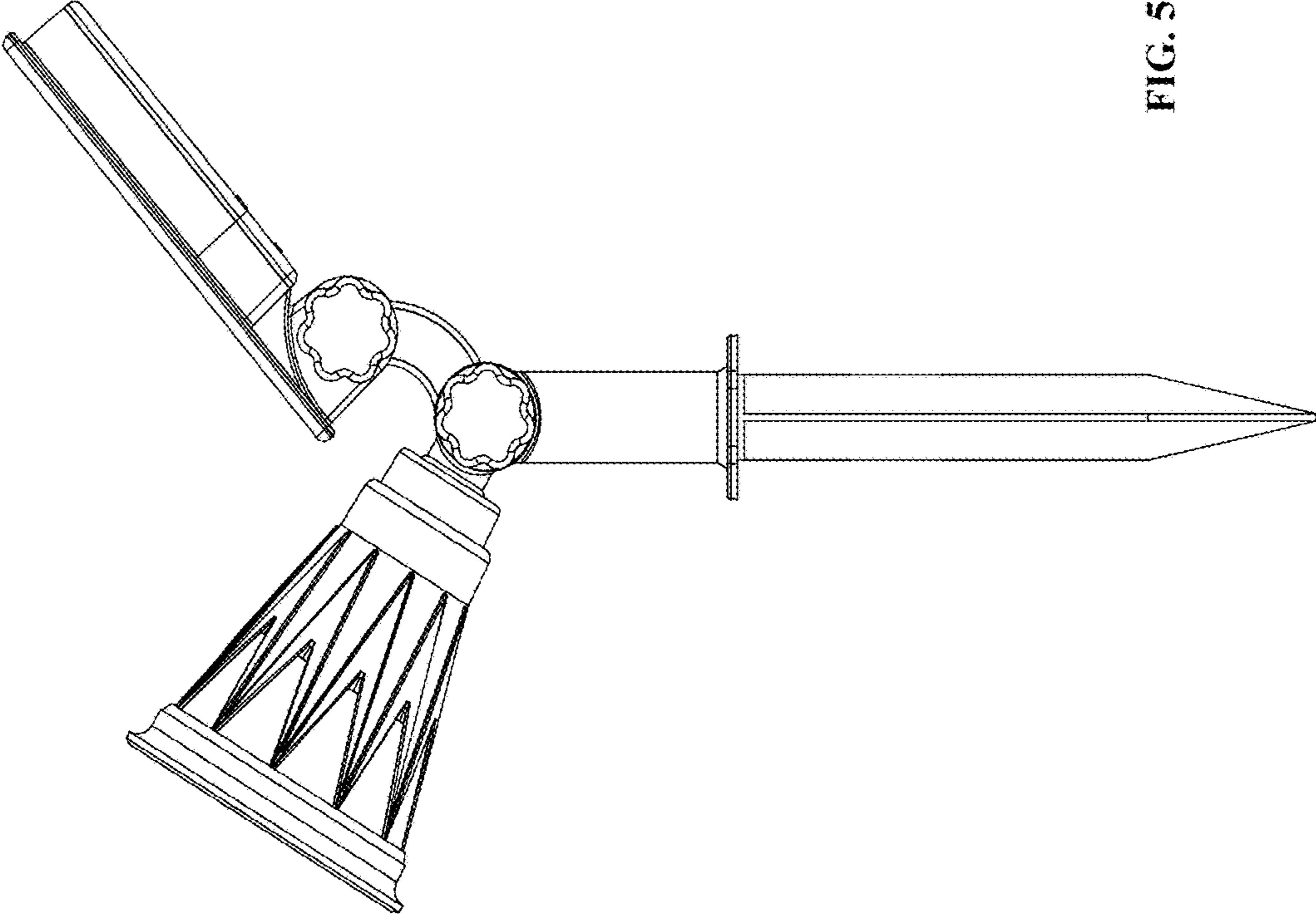


FIG. 5

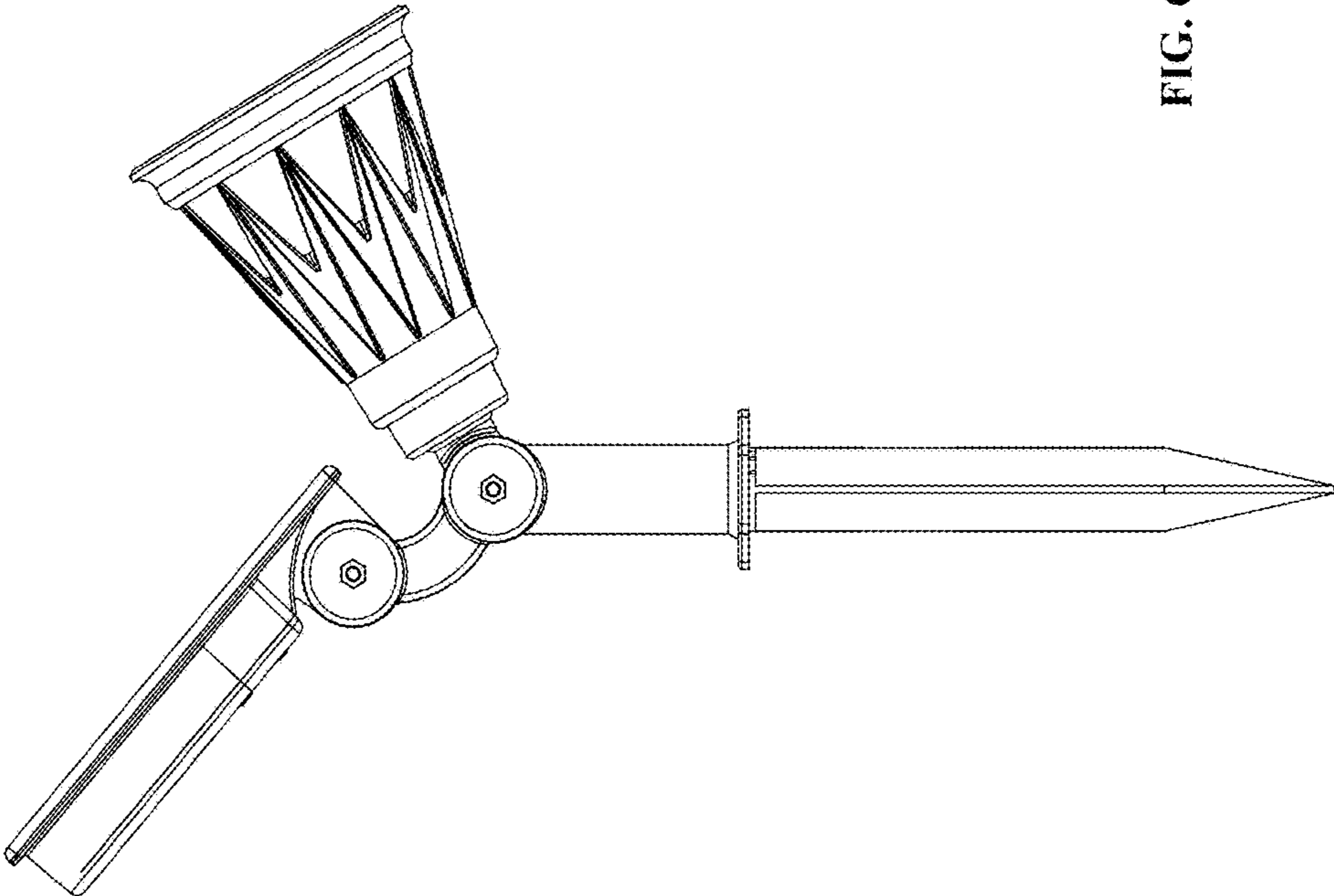


FIG. 6