



US00D848044S

(12) **United States Design Patent**
Zhu

(10) **Patent No.:** **US D848,044 S**

(45) **Date of Patent:** **** May 7, 2019**

(54) **LED LIGHT**

(71) Applicant: **Ningbo Hengjian Photoelectron Technology Co., Ltd., Zhejiang (CN)**

(72) Inventor: **Jianjun Zhu, Zhejiang (CN)**

(73) Assignee: **Ningbo Hengjian Photoelectron Technology Co., Ltd., Zhejiang (CN)**

(**) Term: **15 Years**

(21) Appl. No.: **29/604,746**

(22) Filed: **May 19, 2017**

(30) **Foreign Application Priority Data**

Dec. 23, 2016 (CN) 2016 3 0641295

(51) **LOC (11) Cl.** **26-03**

(52) **U.S. Cl.**
USPC **D26/63**

(58) **Field of Classification Search**
USPC D26/1, 24, 61, 63, 65, 85, 92
CPC F21V 21/14; F21V 15/01; F21V 14/02;
F21V 21/30; F21V 21/00; F21V 14/00;
F21S 8/00; F21S 8/003; F21S 8/043;
F21Y 2105/001

See application file for complete search history.

(56) **References Cited**

U.S. PATENT DOCUMENTS

D624,682 S * 9/2010 Ying D26/63
D702,387 S * 4/2014 Pedersen D26/63

D761,472 S * 7/2016 Zhu D26/63
D797,339 S * 9/2017 Wang D26/63
D799,094 S * 10/2017 Li D26/63
D803,449 S * 11/2017 Xu D26/63
D812,796 S * 3/2018 Ruberg D26/63

* cited by examiner

Primary Examiner — Brian N. Vinson

(74) *Attorney, Agent, or Firm* — Klarquist Sparkman, LLP

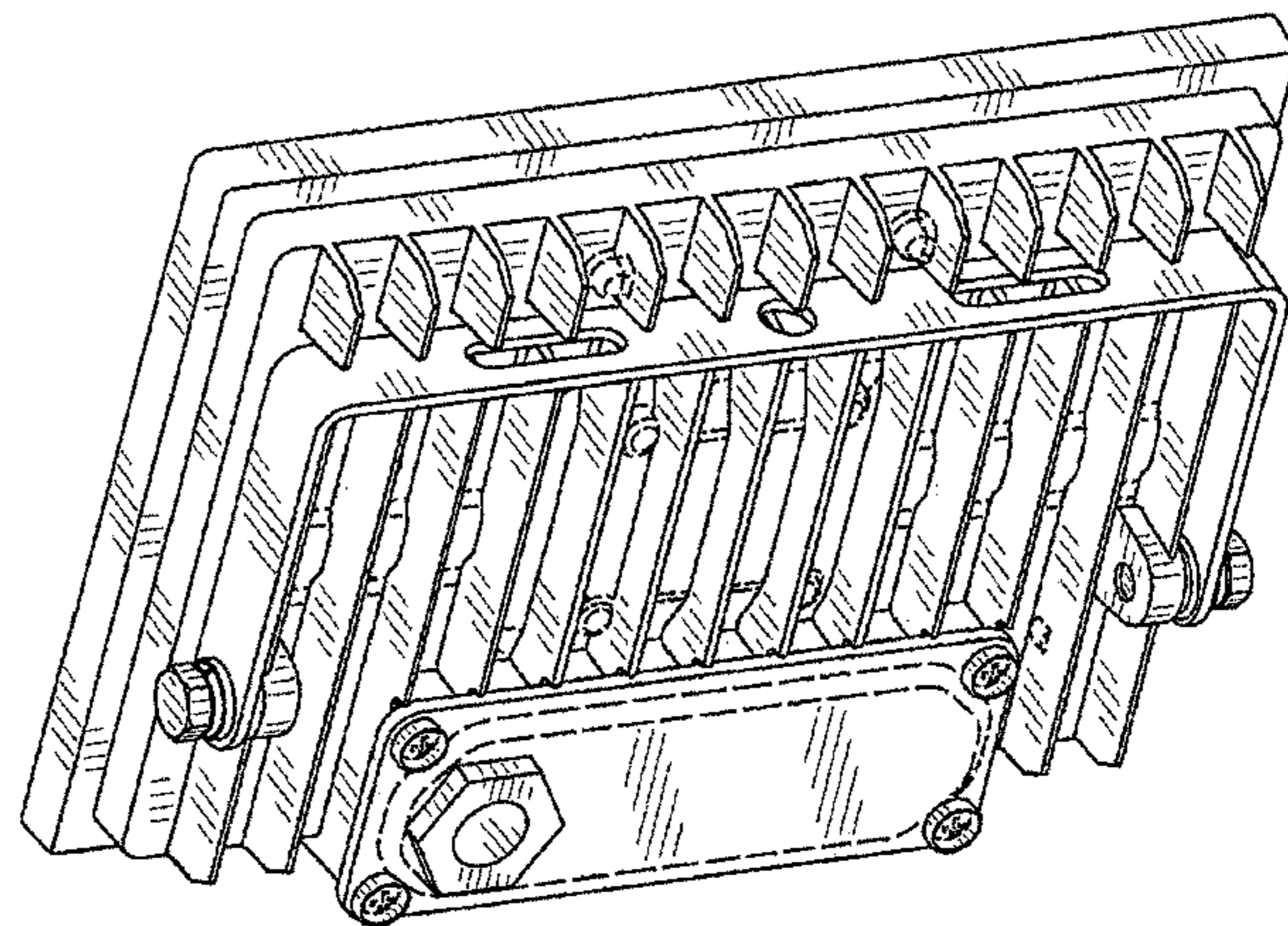
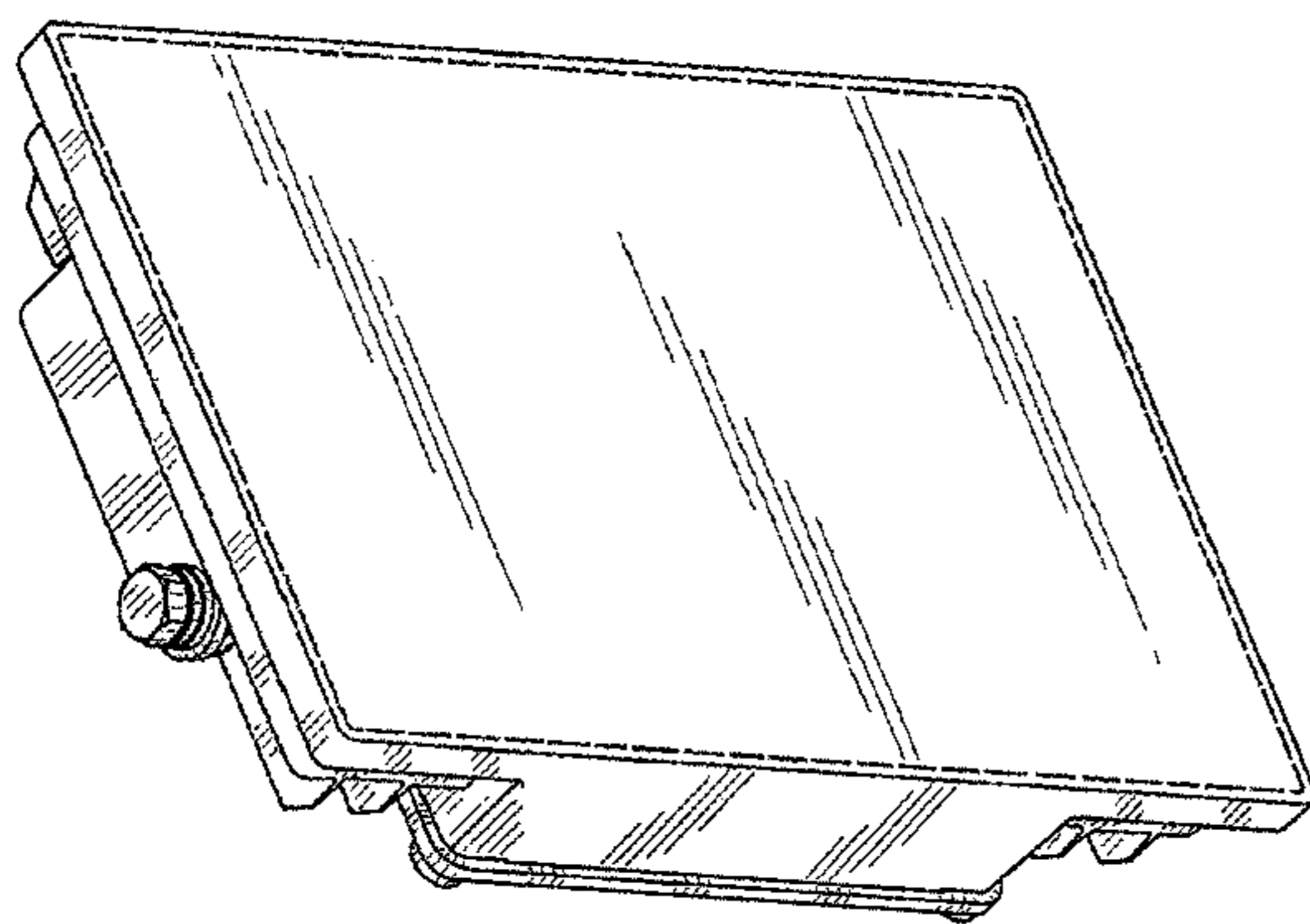
(57) **CLAIM**

I claim the ornamental design for an LED light, as shown and described.

DESCRIPTION

FIG. 1 is a front perspective view of the design of an LED light;
FIG. 2 is a back perspective view thereof;
FIG. 3 is a front elevation view thereof;
FIG. 4 is a back elevation view thereof;
FIG. 5 is a left side elevational view thereof;
FIG. 6 is a right side elevational view thereof;
FIG. 7 is a top plan view thereof; and,
FIG. 8 is a bottom plan view thereof.
The broken lines in the drawings depict portions of an LED light in which the design is embodied that form no part of the ornamental design.

1 Claim, 8 Drawing Sheets



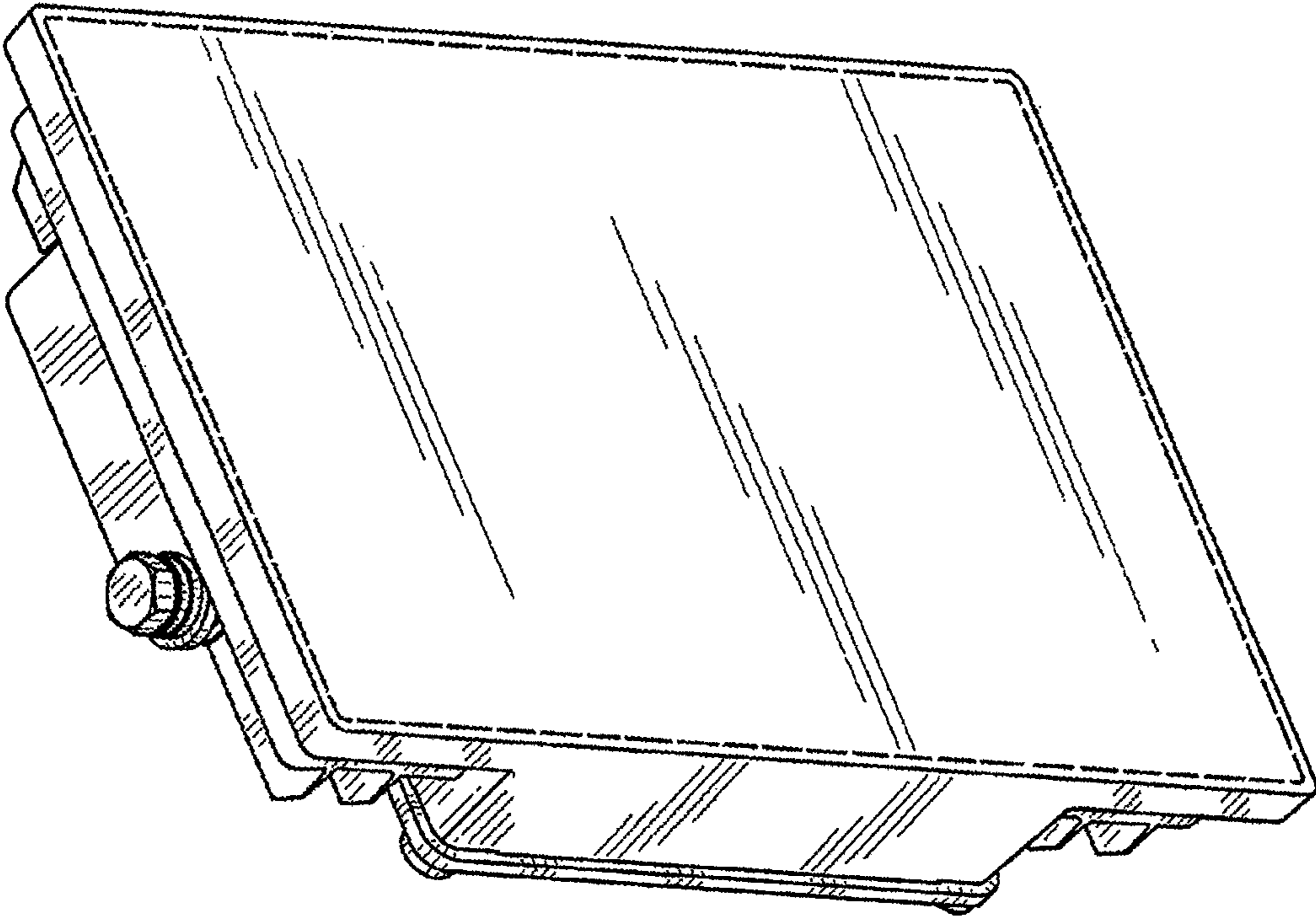


FIG. 1

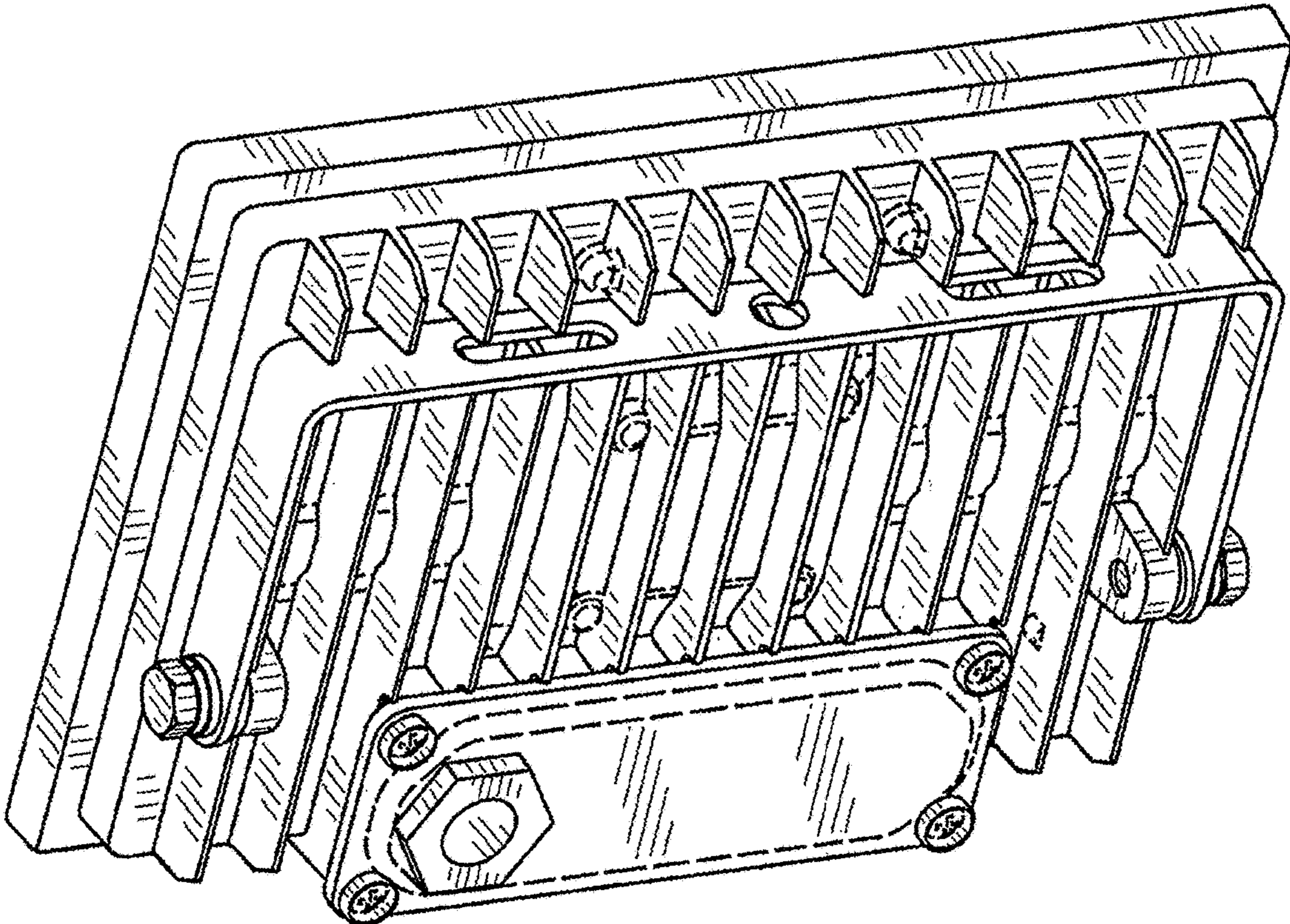


FIG. 2

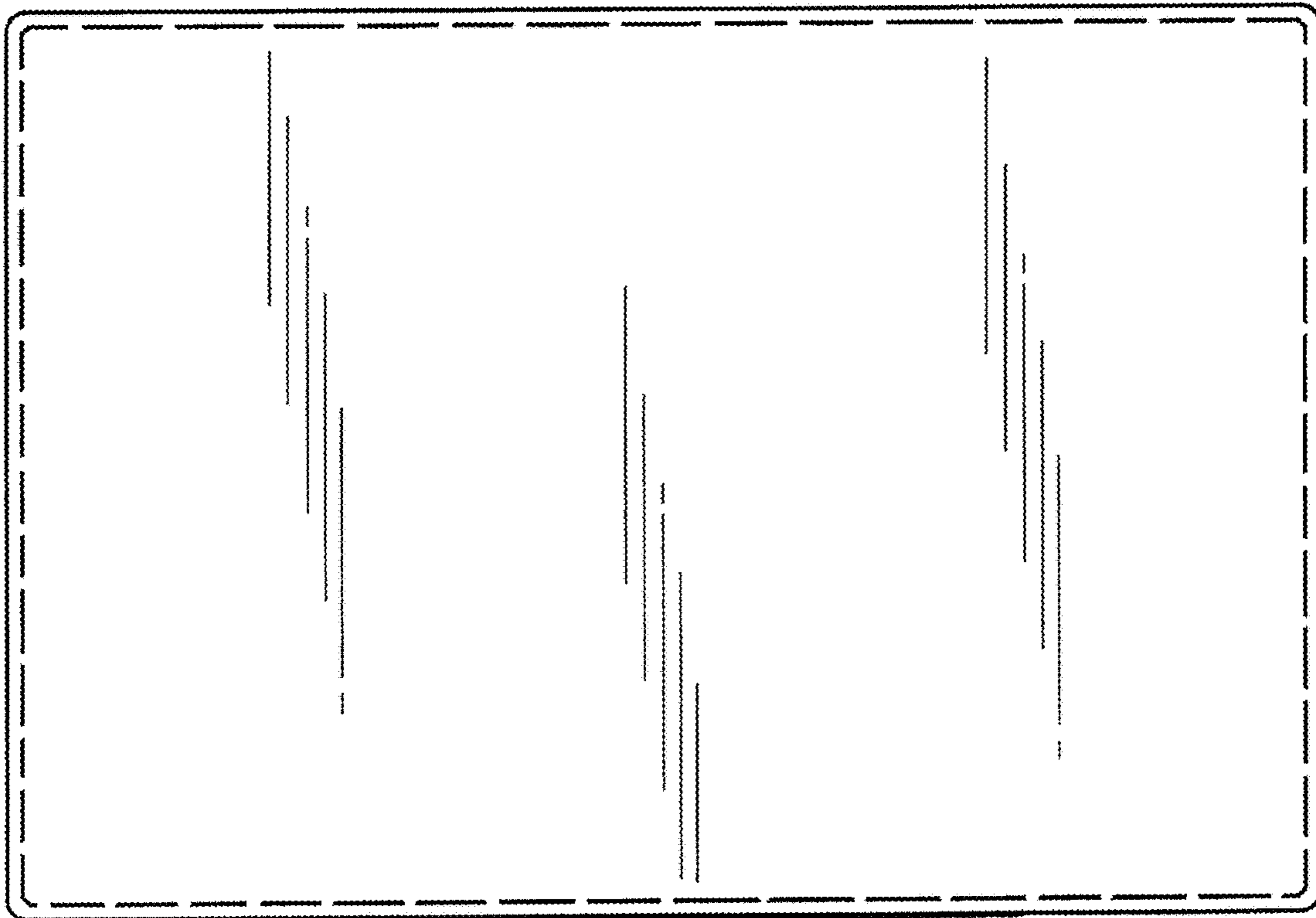


FIG. 3

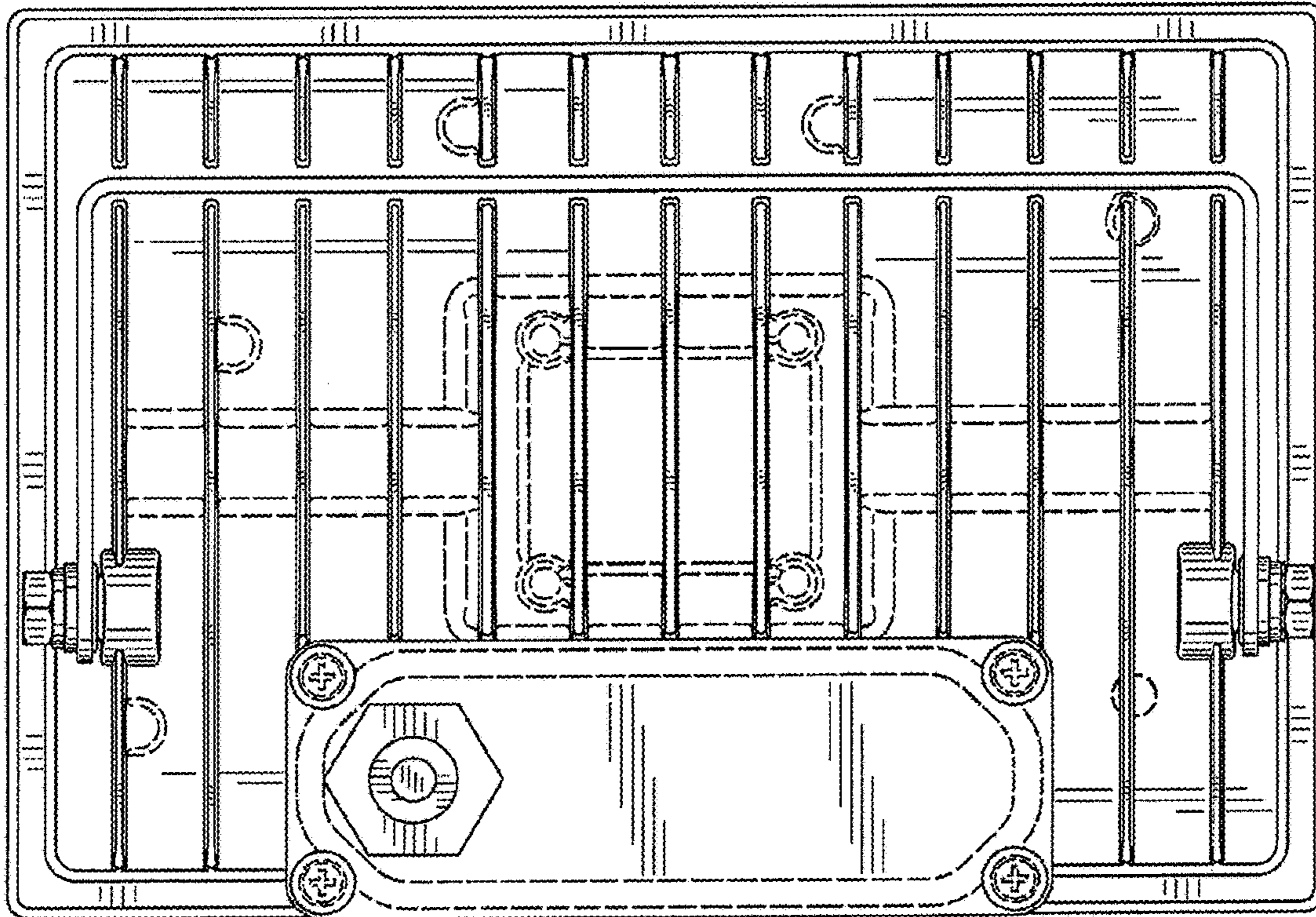


FIG. 4

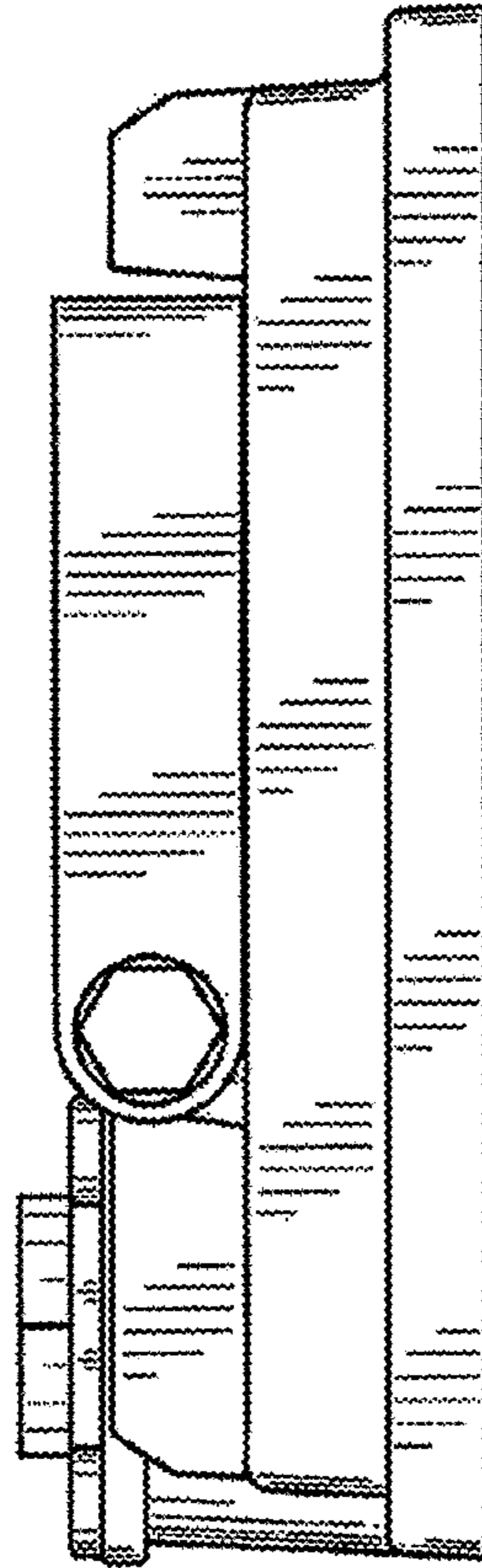


FIG. 5

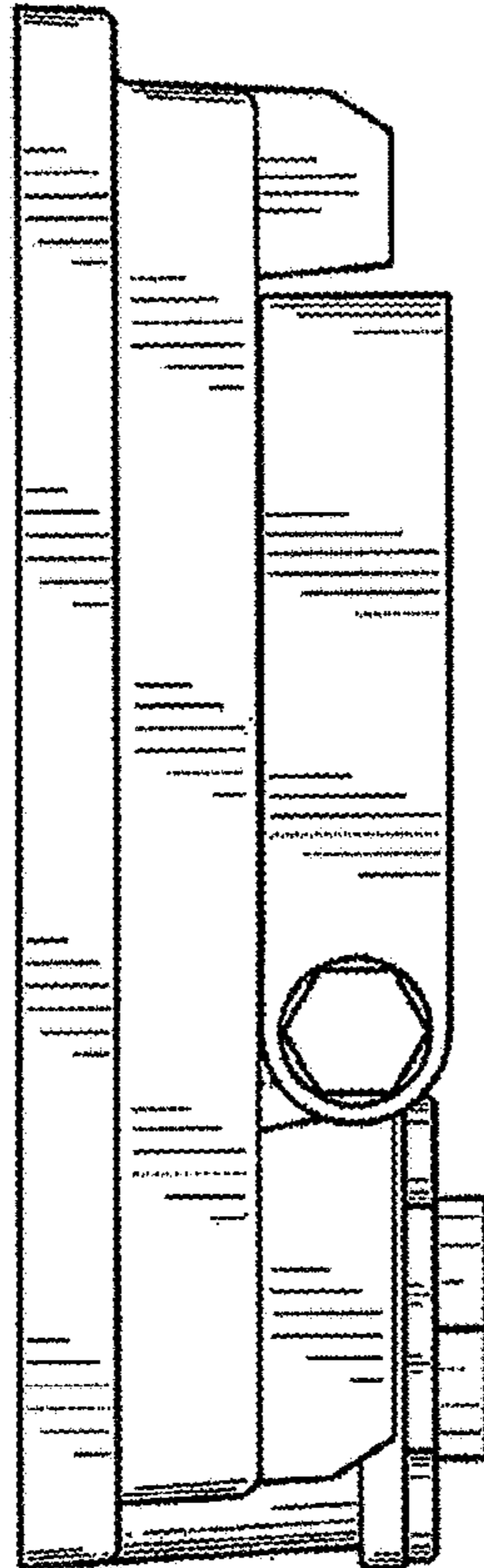


FIG. 6

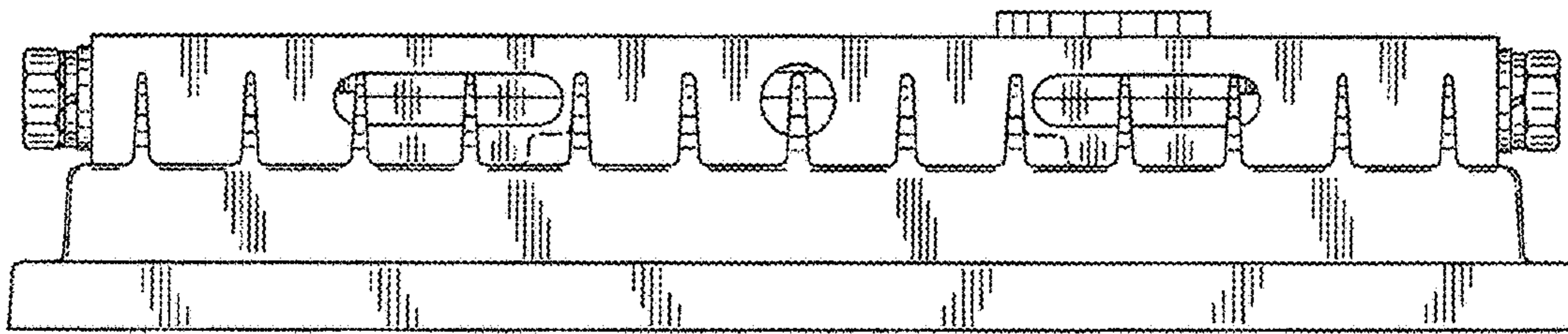


FIG. 7

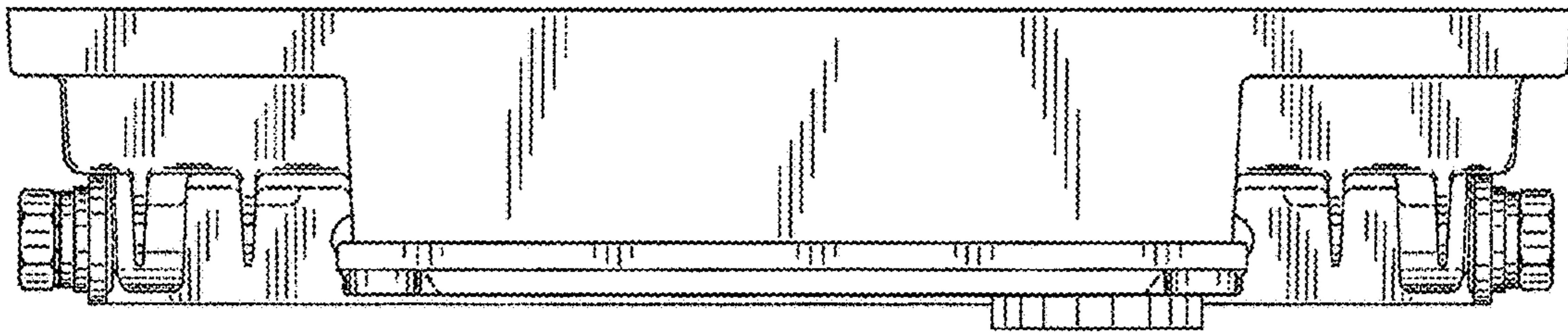


FIG. 8