



US00D848043S

(12) **United States Design Patent** (10) **Patent No.:** **US D848,043 S**
Zhuo (45) **Date of Patent:** **** May 7, 2019**

(54) **SOLAR LAMP**

(56) **References Cited**

(71) Applicant: **ZHONGSHAN YINGHAO SOLAR TECHNOLOGY CO., LTD,**
ZhongShan (CN)

U.S. PATENT DOCUMENTS

D309,787 S *	8/1990	Chien	D26/67
D687,591 S *	8/2013	Chilton	D26/37
D776,315 S *	1/2017	Wu	D26/41
D794,235 S *	8/2017	Green	D26/40
D816,250 S *	4/2018	Wang	D26/41

(72) Inventor: **Qiang Zhuo,** Zhongshan (CN)

* cited by examiner

(73) Assignee: **Zhongshan Yinghao Solar Technology Co., Ltd,** Zhongshan (CN)

Primary Examiner — Brian N. Vinson

(**) Term: **15 Years**

(74) *Attorney, Agent, or Firm* — Wayne & Ken, LLC;
Tony Hom

(21) Appl. No.: **29/627,313**

(57) **CLAIM**

(22) Filed: **Nov. 26, 2017**

A new, original, ornamental design for a solar lamp, as shown and described.

(51) **LOC (11) Cl.** **26-03**

DESCRIPTION

(52) **U.S. Cl.**
USPC **D26/41**

(58) **Field of Classification Search**
USPC D26/37, 38, 40, 41, 51, 67
CPC F21L 2003/00; F21L 4/00; F21L 4/005;
F21L 4/02; F21L 4/025; F21L 4/027;
F21L 4/04; F21L 4/08; F21L 2005/00;
F21L 7/00; F21L 11/00; F21L 13/00;
F21L 13/04; F21L 13/08; F21L 14/02;
F21L 17/00; F21L 19/00

FIG. 1 is a perspective view of a solar lamp showing my new design;

FIG. 2 is another perspective view thereof;

FIG. 3 is a front view thereof;

FIG. 4 is a back view thereof;

FIG. 5 is a left view thereof;

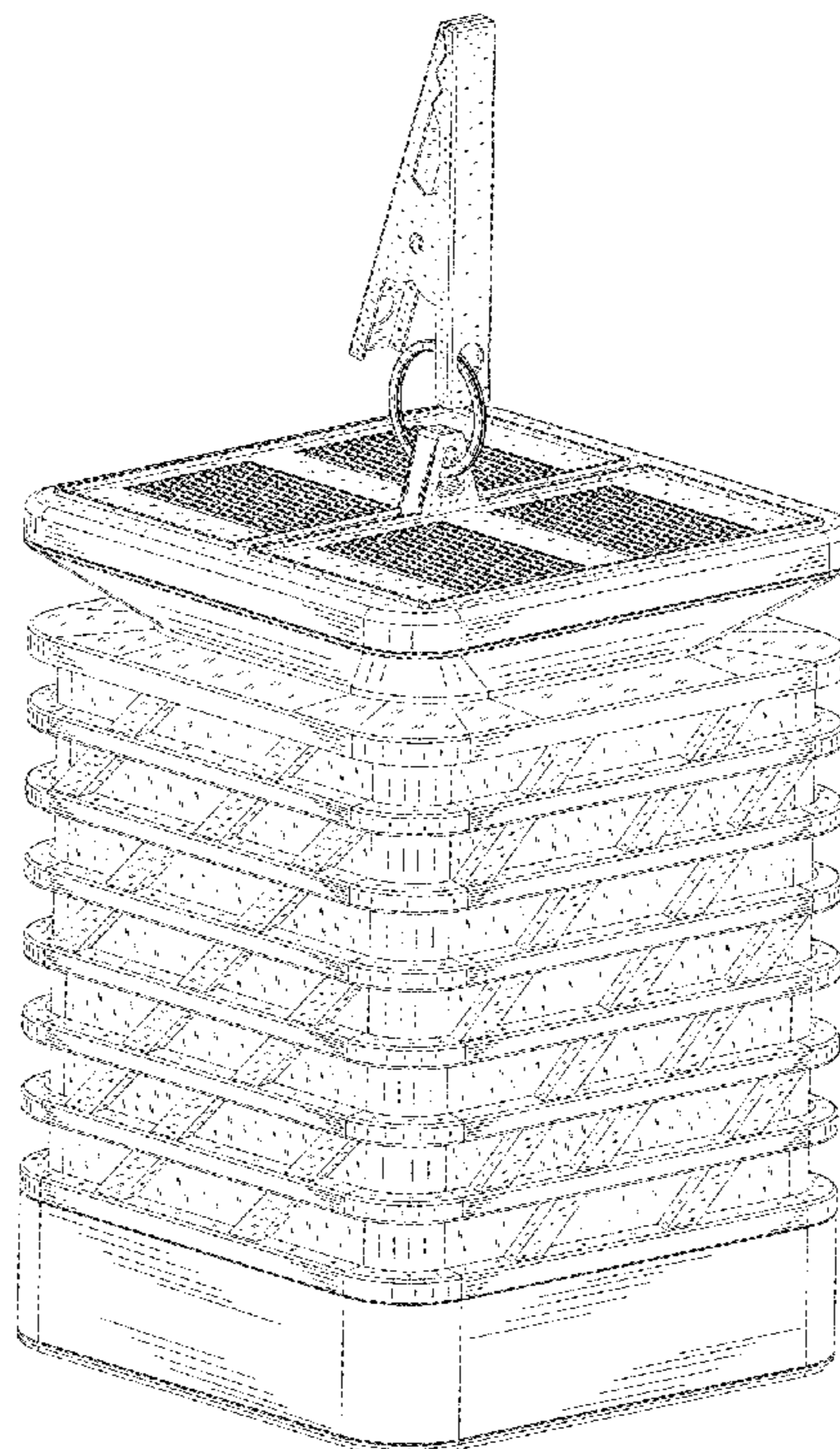
FIG. 6 is a right view thereof;

FIG. 7 is a top view thereof; and,

FIG. 8 is a bottom view thereof.

See application file for complete search history.

1 Claim, 8 Drawing Sheets



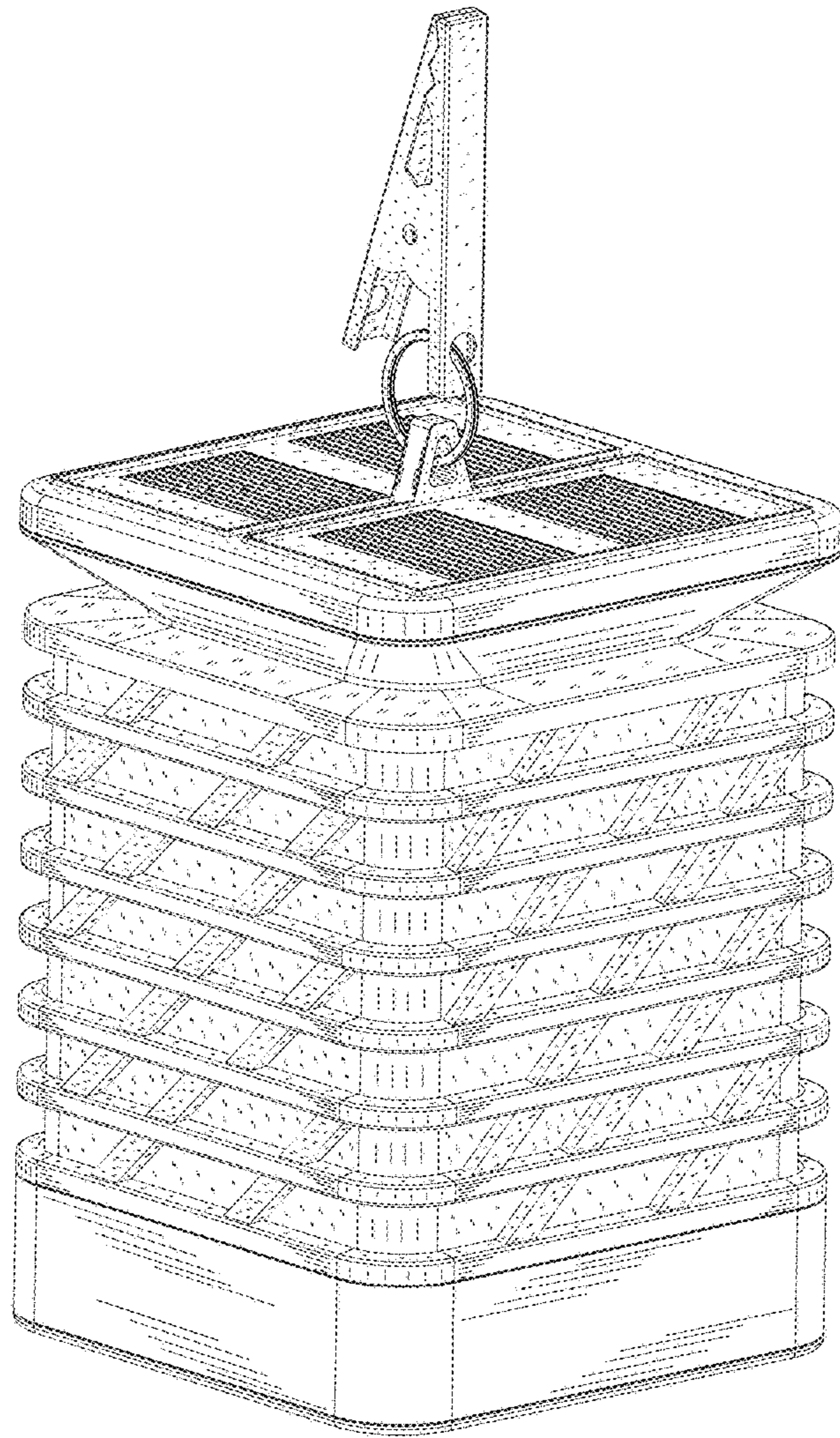


FIG .1

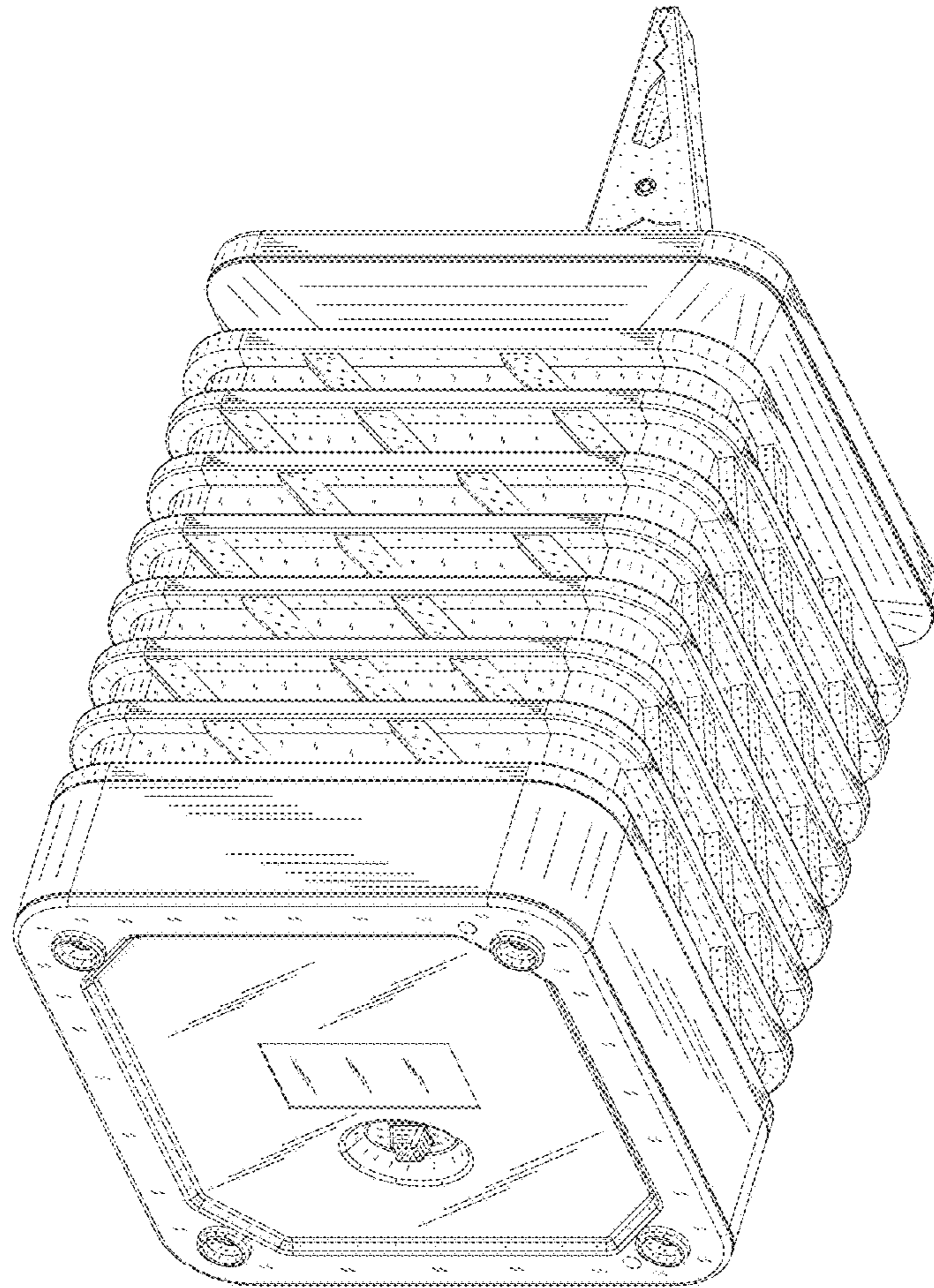


FIG .2

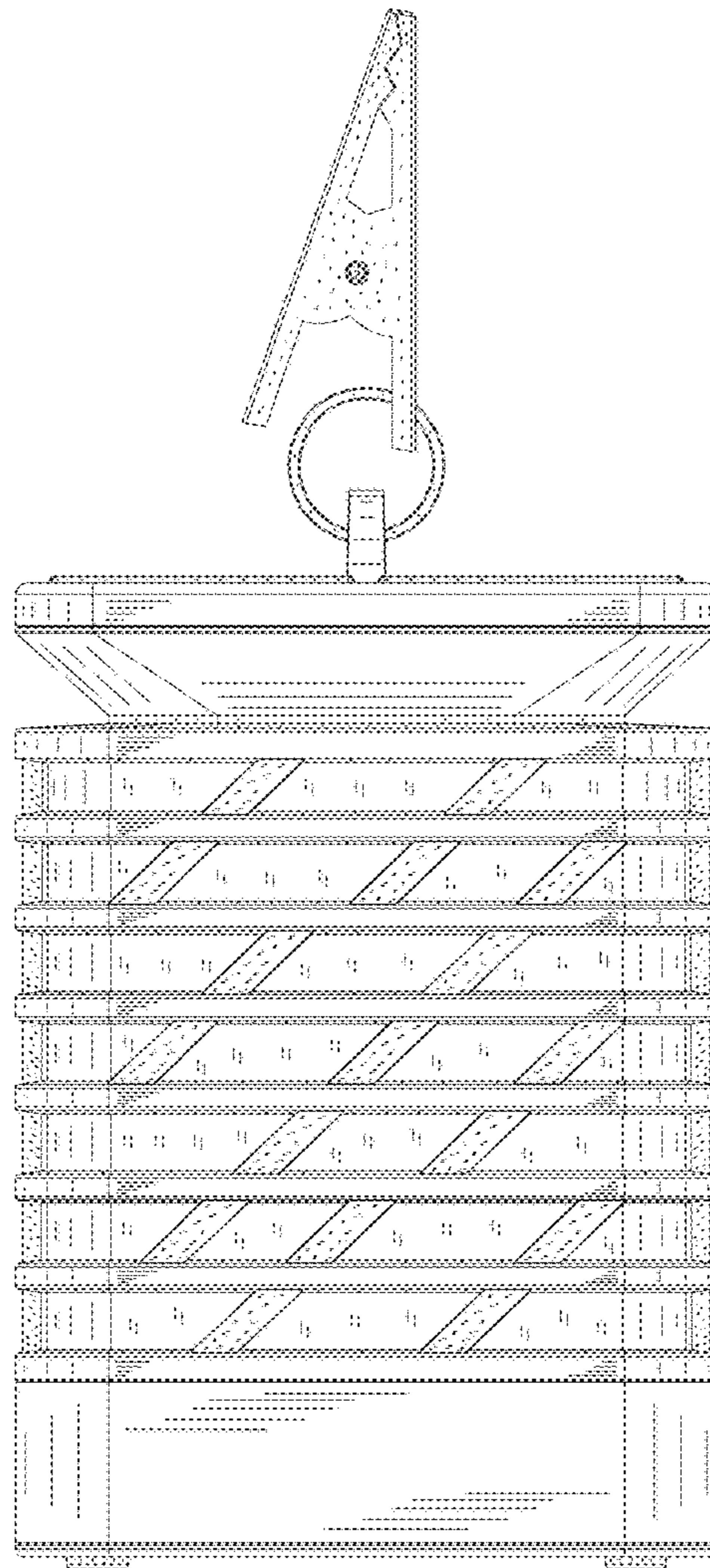


FIG .3

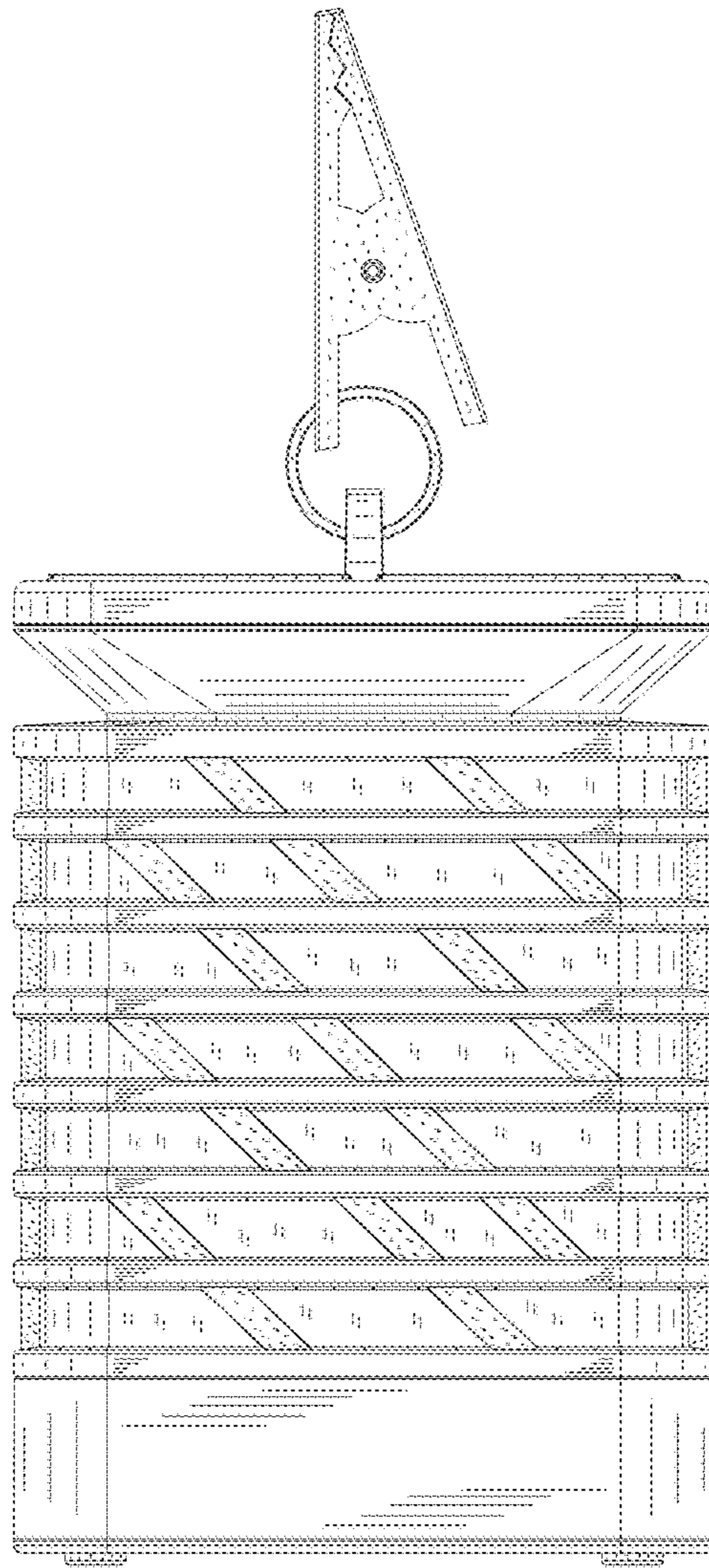


FIG .4

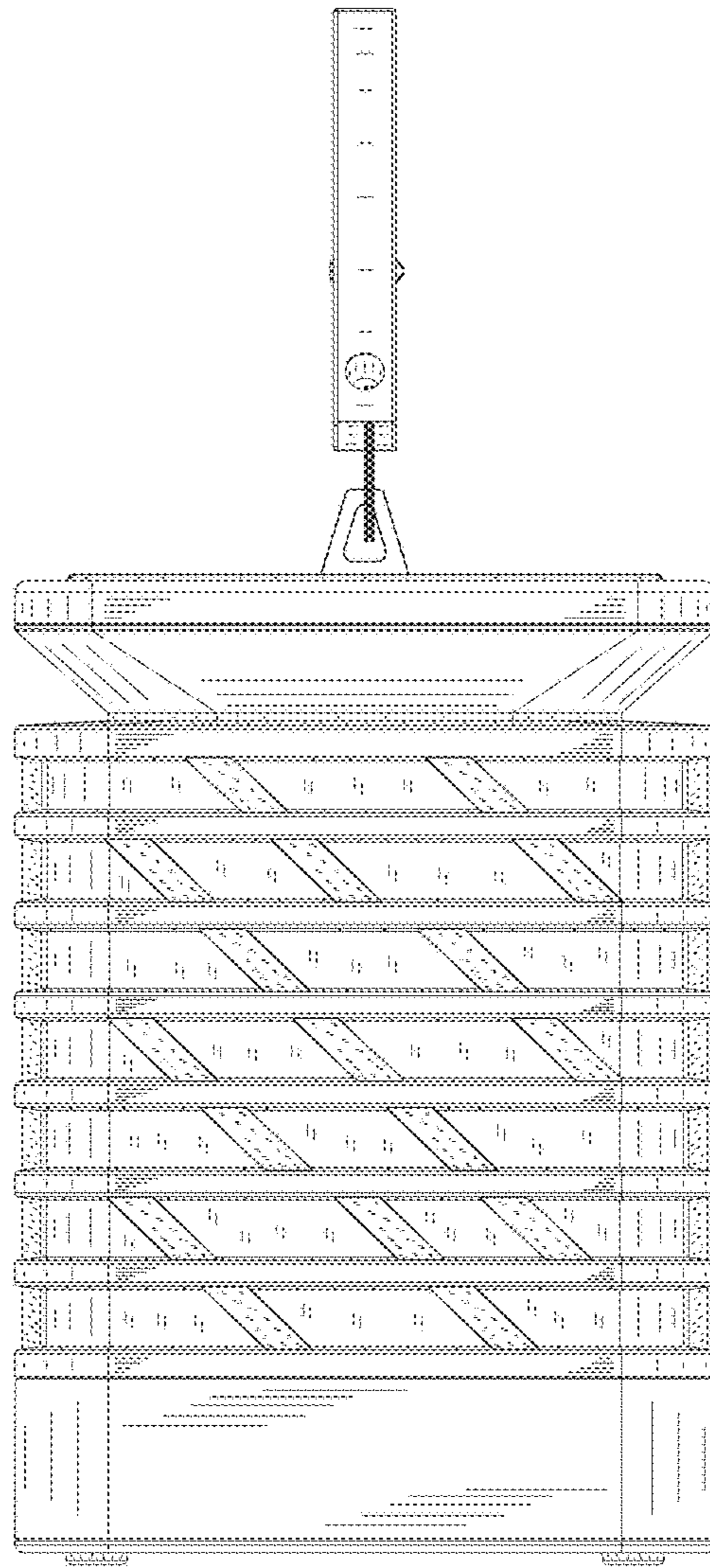


FIG .5

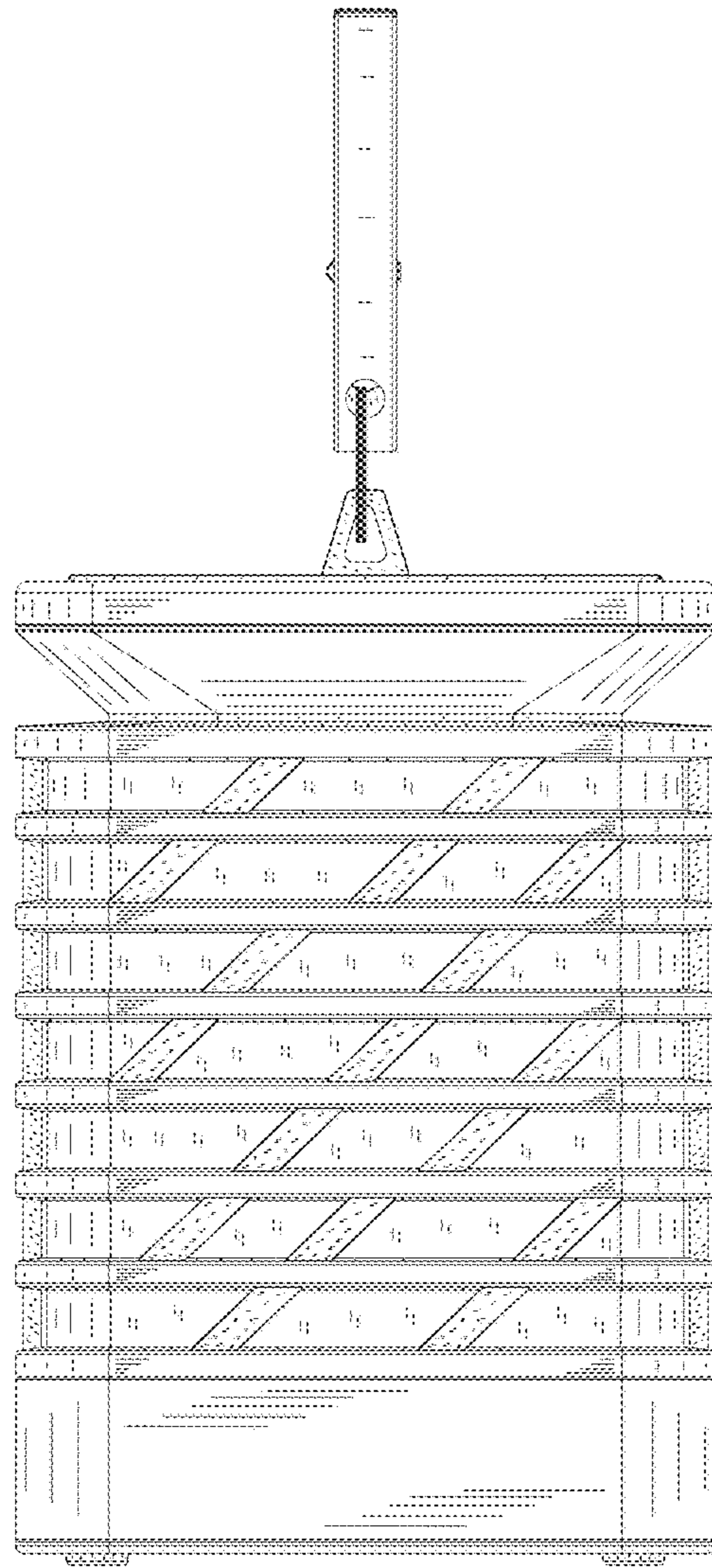


FIG .6

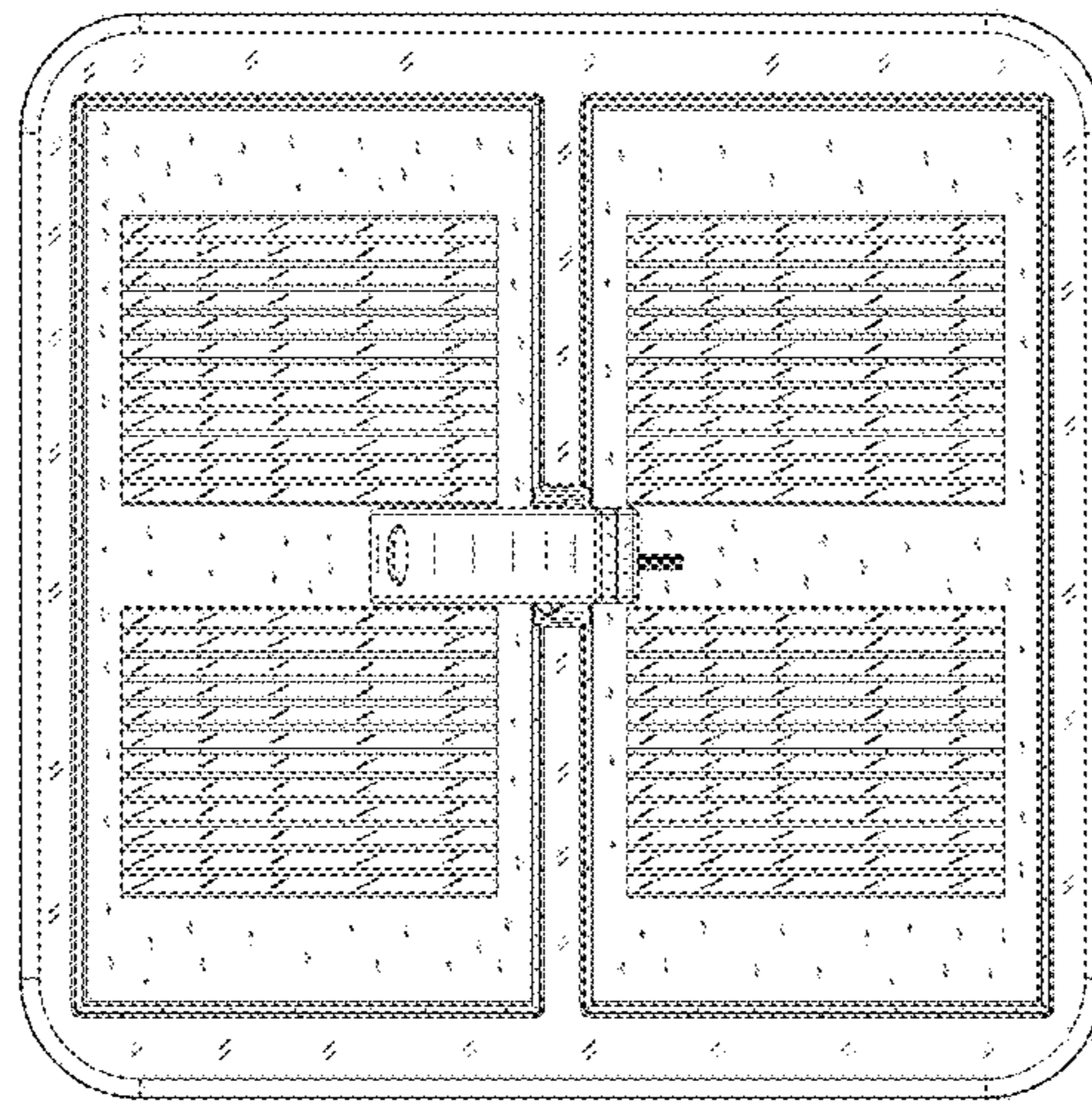


FIG .7

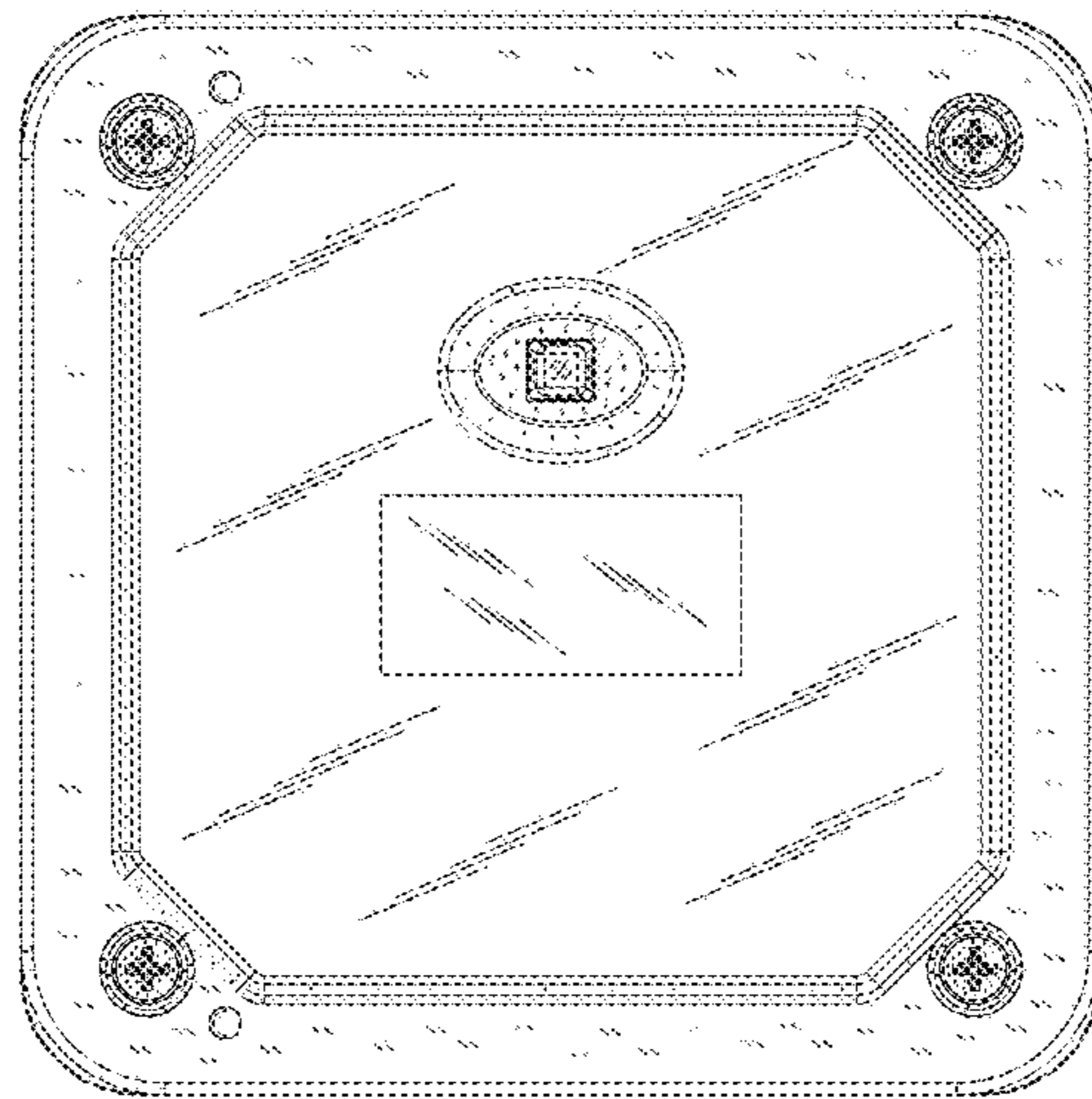


FIG .8