



US00D848042S

(12) **United States Design Patent** (10) **Patent No.:** **US D848,042 S**  
**Feng** (45) **Date of Patent:** **\*\* May 7, 2019**

(54) **HEADLAMP**

(71) Applicant: **Yangjian Feng**, Ningbo (CN)

(72) Inventor: **Yangjian Feng**, Ningbo (CN)

(\*\*) Term: **15 Years**

(21) Appl. No.: **29/602,716**

(22) Filed: **May 2, 2017**

(30) **Foreign Application Priority Data**

Apr. 14, 2017 (CN) ..... 2017 3 0124741

(51) **LOC (11) Cl.** ..... **26-02**

(52) **U.S. Cl.**  
USPC ..... **D26/39**

(58) **Field of Classification Search**  
USPC ..... D26/37-51  
CPC ..... F21L 2003/00; F21L 4/00; F21L 4/005;  
F21L 4/02; F21L 4/025; F21L 4/027;  
F21L 4/04; F21L 4/08; F21L 2005/00;  
F21L 7/00; F21L 11/00; F21L 13/00;  
F21L 13/04; F21L 13/08; F21L 14/02;  
F21L 17/00; F21L 19/00; F21L 25/00

See application file for complete search history.

(56) **References Cited**

U.S. PATENT DOCUMENTS

D552,278 S \* 10/2007 Spartano ..... D26/39  
D562,475 S \* 2/2008 Hojer ..... D26/28  
D603,538 S \* 11/2009 Shiu ..... D26/39

(Continued)

*Primary Examiner* — Lakiya G Rogers

*Assistant Examiner* — Carissa C Fitts

(74) *Attorney, Agent, or Firm* — Gokalp Bayramoglu

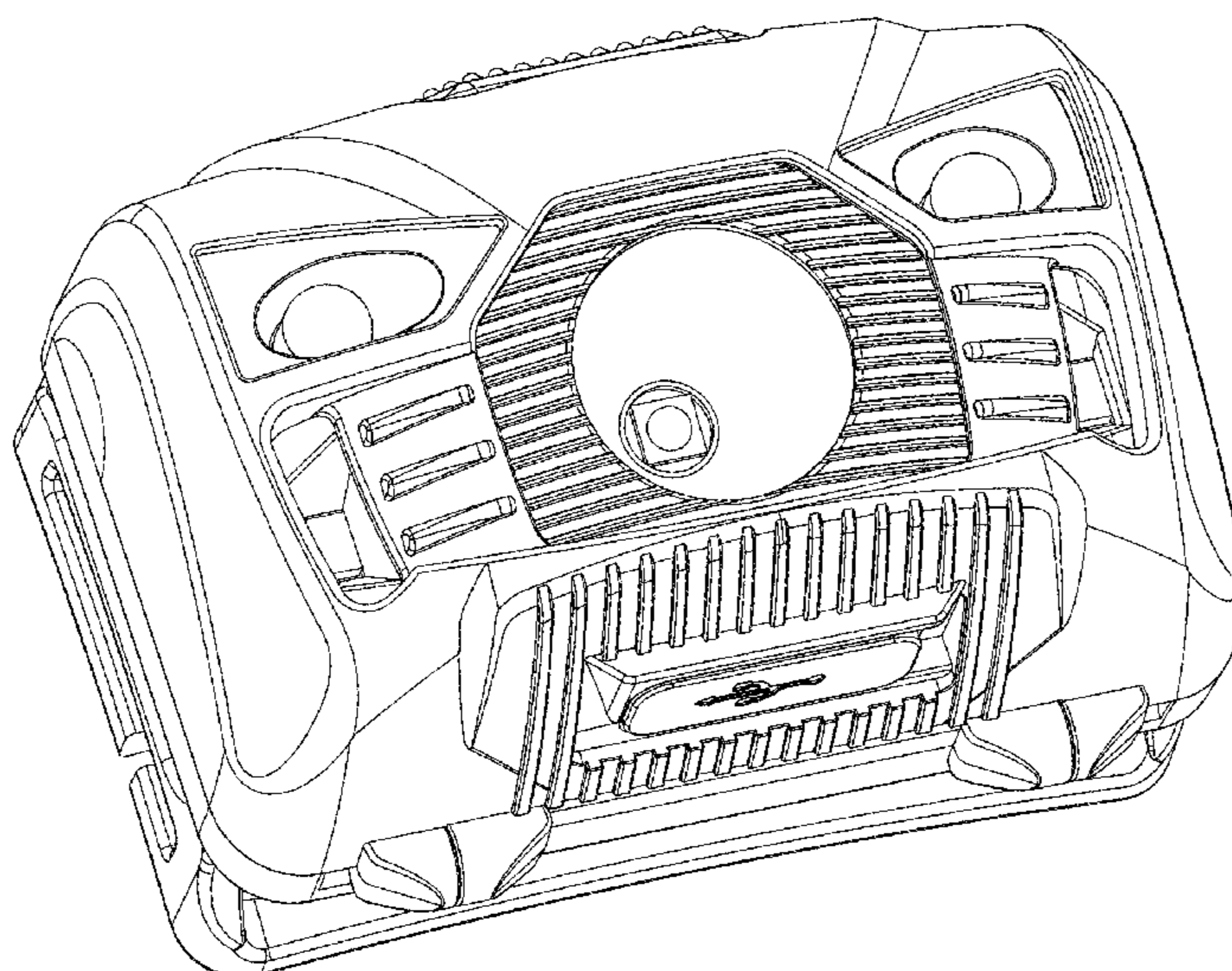
(57) **CLAIM**

The ornamental design for a headlamp, as shown and described.

**DESCRIPTION**

FIG. 1 is a perspective view of the first embodiment of a headlamp showing my new design;  
FIG. 2 is a front view thereof;  
FIG. 3 is a back view thereof;  
FIG. 4 is a left view thereof;  
FIG. 5 is a right view thereof;  
FIG. 6 is a top view thereof;  
FIG. 7 is a bottom view thereof;  
FIG. 8 is a perspective view of the second embodiment of the headlamp without USB port on the bottom of the headlamp;  
FIG. 9 is a front view thereof;  
FIG. 10 is a back view thereof;  
FIG. 11 is a left view thereof;  
FIG. 12 is a right view thereof;  
FIG. 13 is a top view thereof;  
FIG. 14 is a bottom view thereof;  
FIG. 15 is a perspective view of the third embodiment of the headlamp with a second switch added on the top of headlamp;  
FIG. 16 is a front view thereof;  
FIG. 17 is a back view thereof;  
FIG. 18 is a left view thereof;  
FIG. 19 is a right view thereof;  
FIG. 20 is a top view thereof;  
FIG. 21 is a bottom view thereof;  
FIG. 22 is a perspective view of the fourth embodiment of the headlamp with a second switch added on the top of headlamp and without USB port on the bottom of headlamp;  
FIG. 23 is a front view thereof;  
FIG. 24 is a back view thereof;  
FIG. 25 is a left view thereof;  
FIG. 26 is a right view thereof;  
FIG. 27 is a top view thereof; and,  
FIG. 28 is a bottom view thereof.  
The broken lines show portions of the article which form no part of the claimed design.

**1 Claim, 28 Drawing Sheets**



(56)

**References Cited**

U.S. PATENT DOCUMENTS

D603,539	S	*	11/2009	Shiu	.....	D26/39
D650,103	S	*	12/2011	Lee	.....	D26/39
D683,489	S	*	5/2013	Lee	.....	D26/39
D707,867	S	*	6/2014	Kotsis	.....	D26/39
D712,579	S	*	9/2014	Cen	.....	D26/39
D736,980	S	*	8/2015	Petzl	.....	D26/39
D743,596	S	*	11/2015	Ormsbee	.....	D26/39
D744,135	S	*	11/2015	Menjor	.....	D26/39
D752,261	S	*	3/2016	Ma	.....	D26/39
D754,378	S	*	4/2016	Feustel	.....	D26/39
D756,552	S	*	5/2016	Kunzendorf	.....	D26/39
D758,630	S	*	6/2016	Li	.....	D26/39
D788,340	S	*	5/2017	Koshiba	.....	D26/39

\* cited by examiner

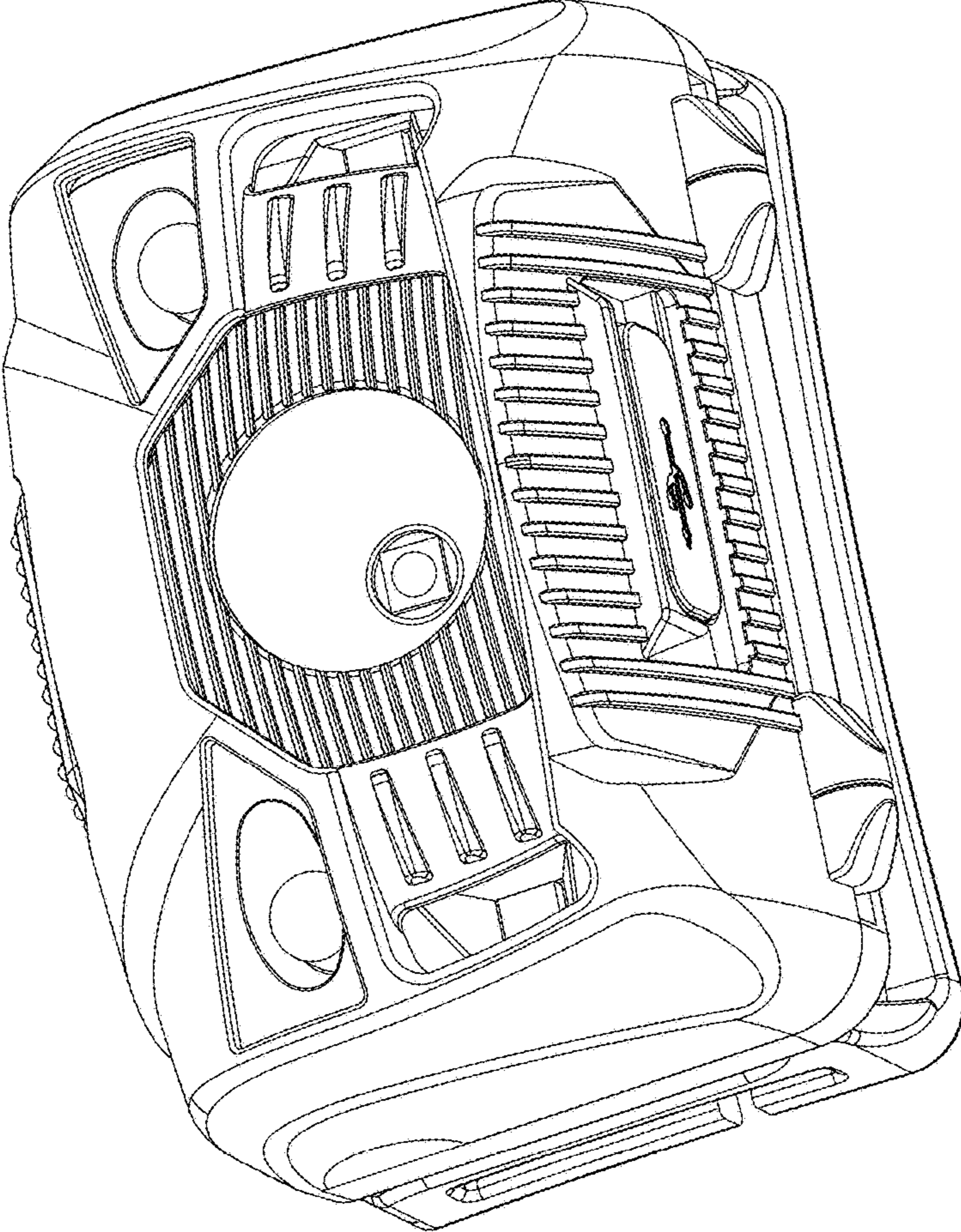


FIG. 1

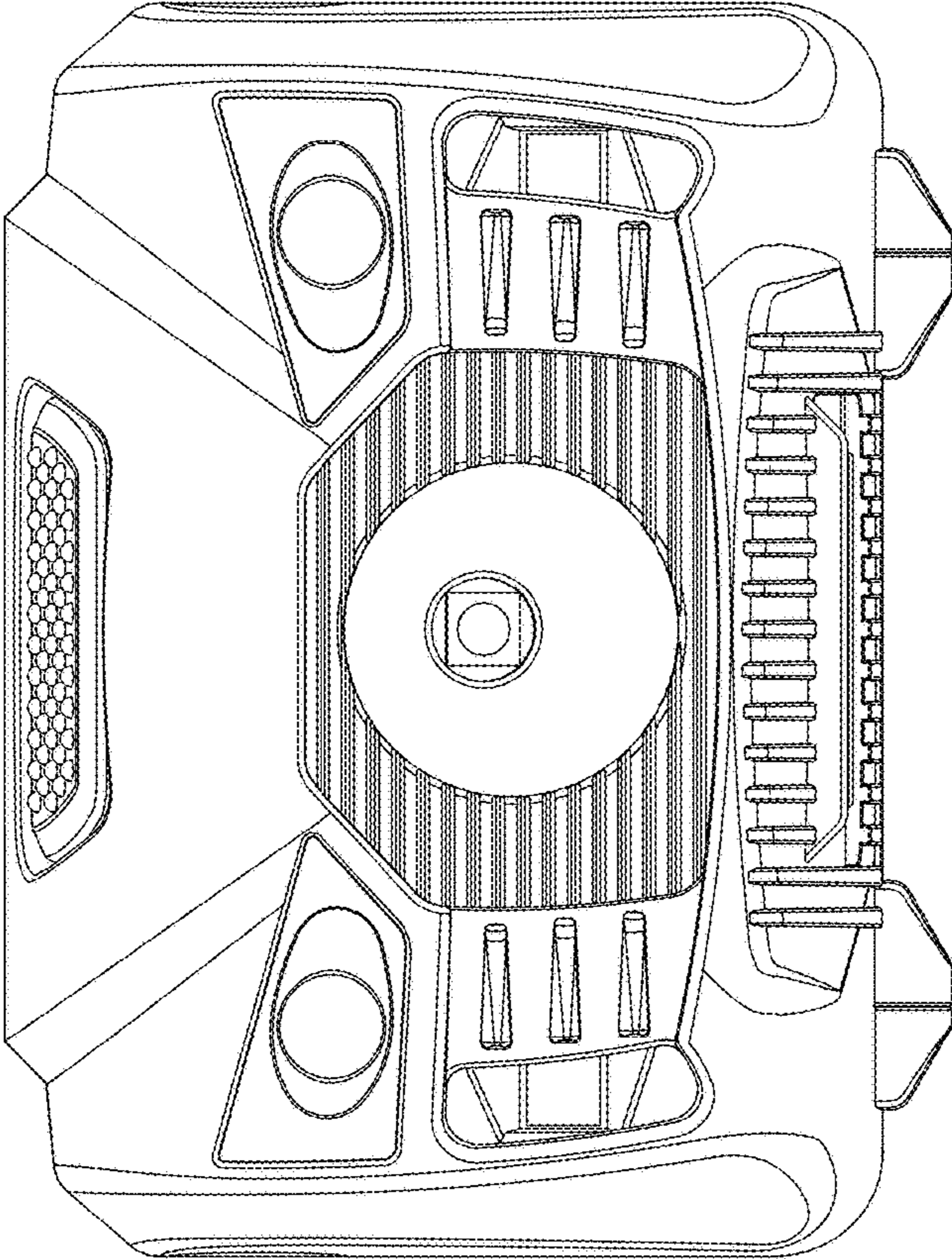


FIG. 2

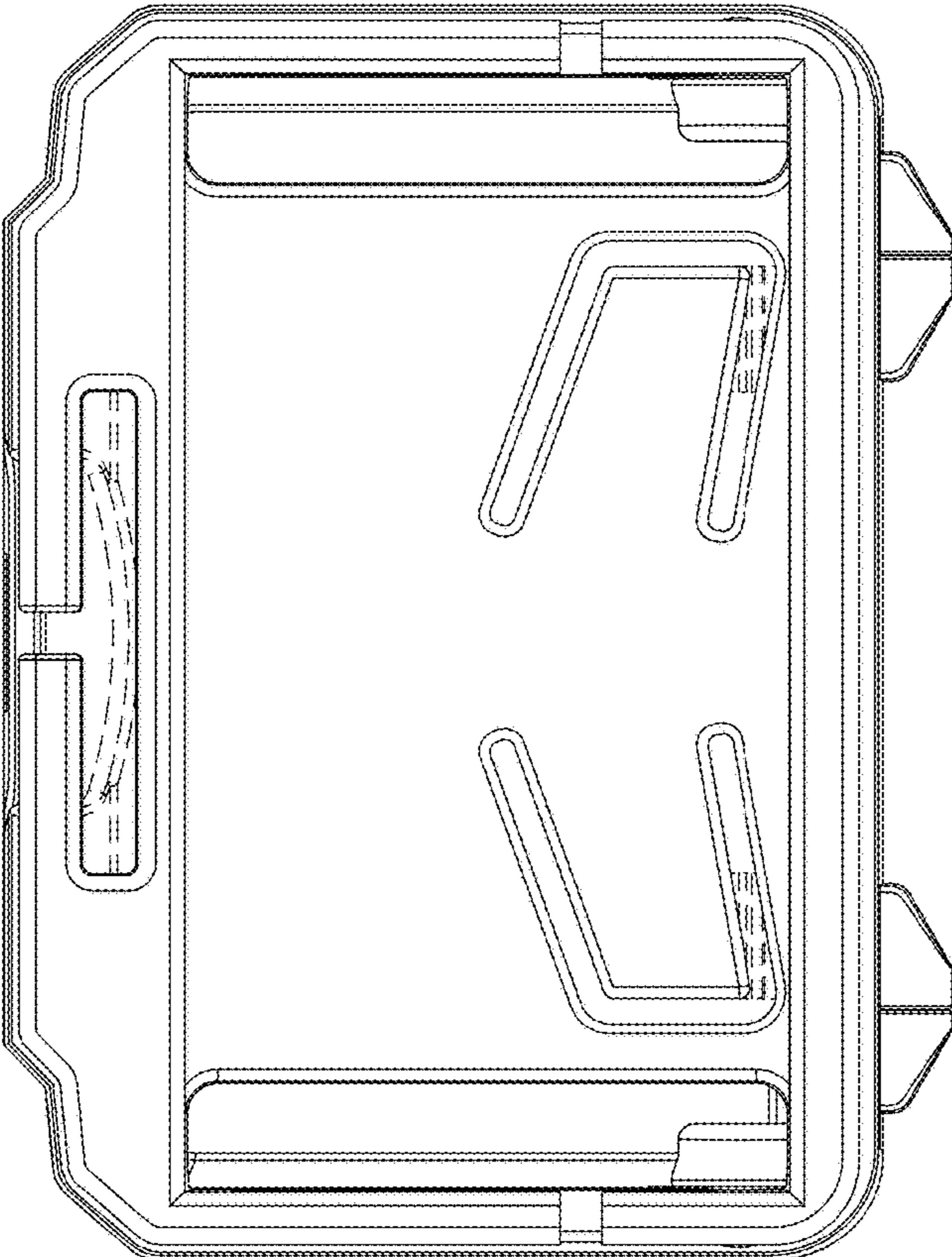


FIG. 3

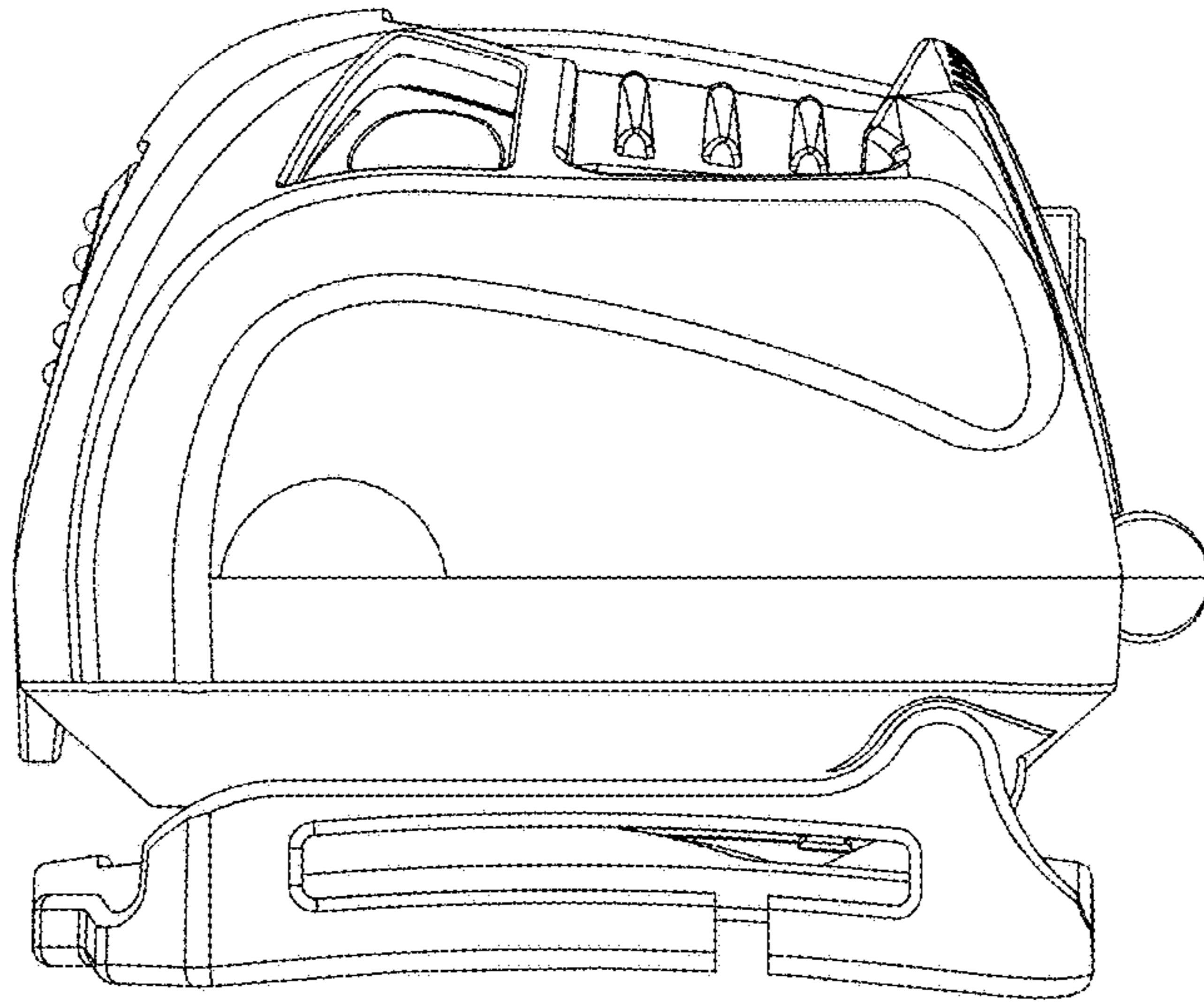


FIG. 4

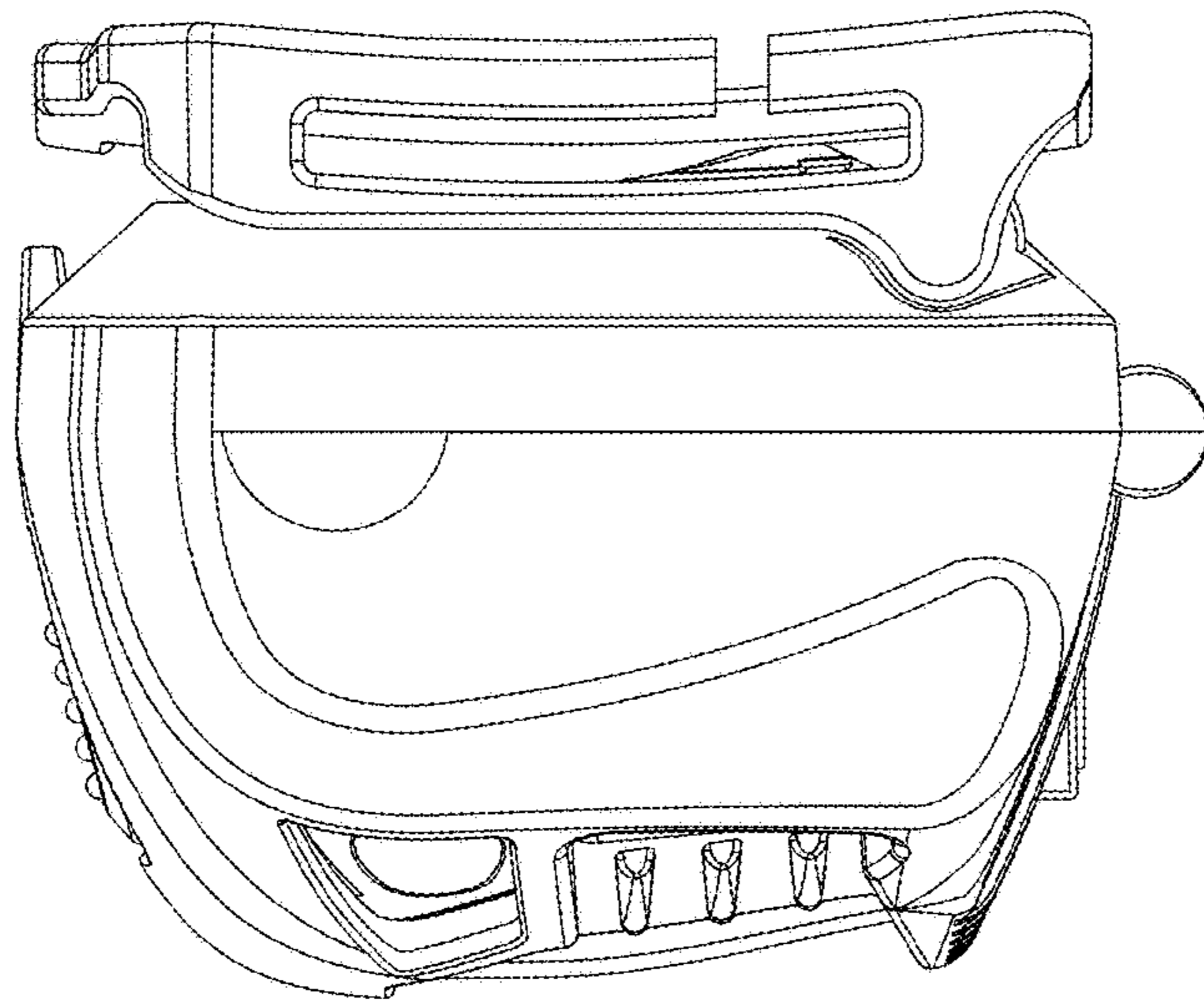


FIG. 5

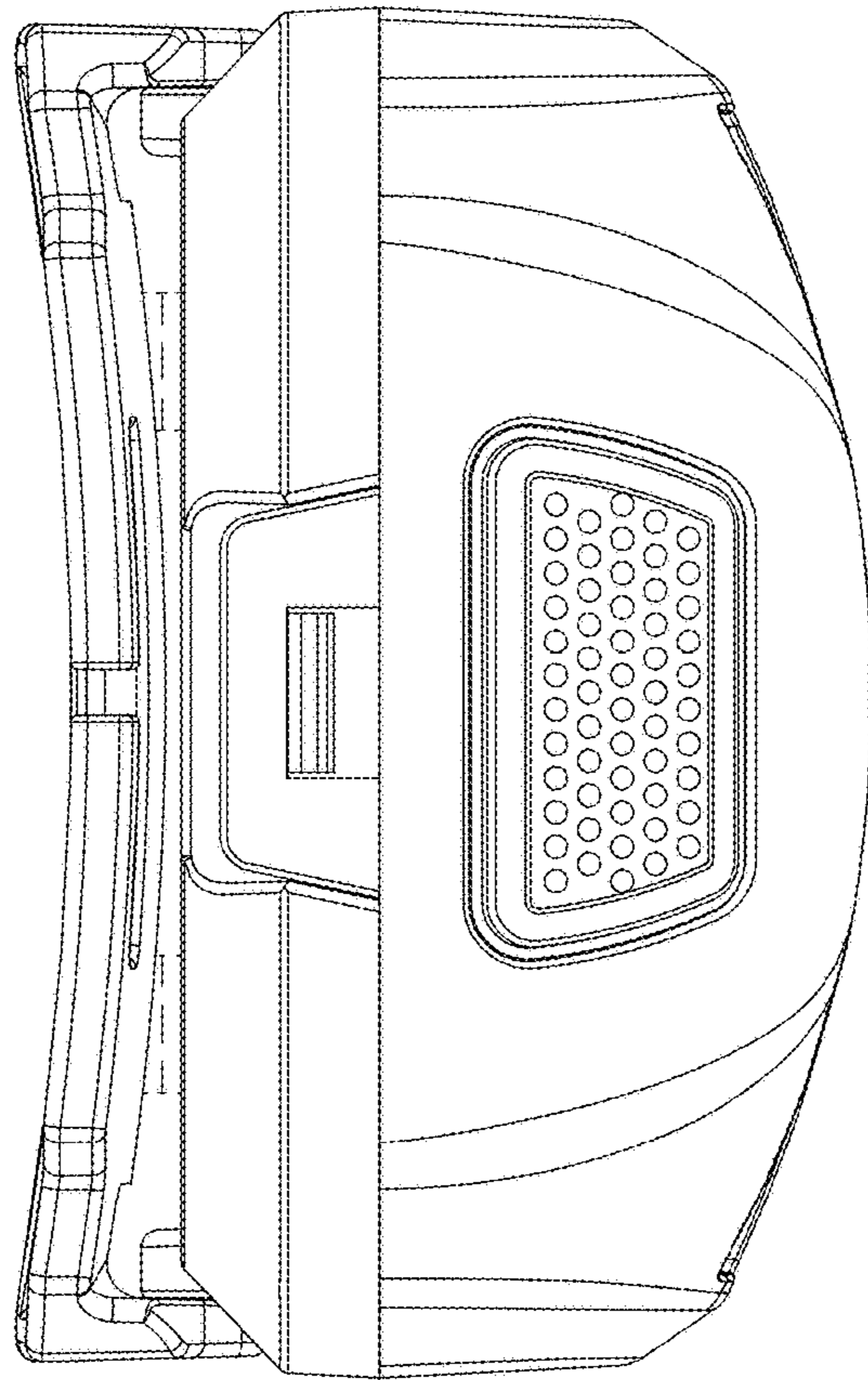


FIG. 6



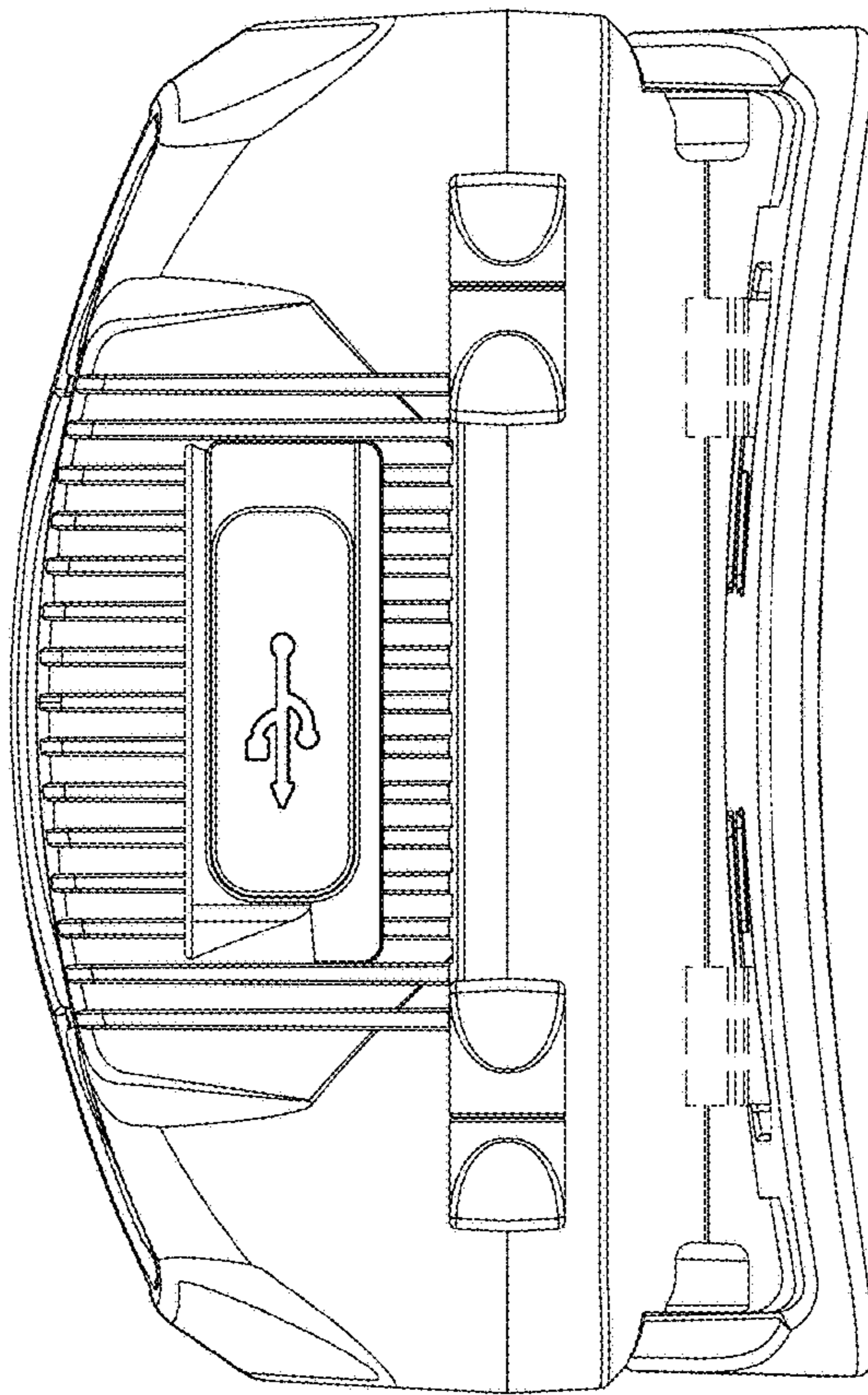


FIG. 7

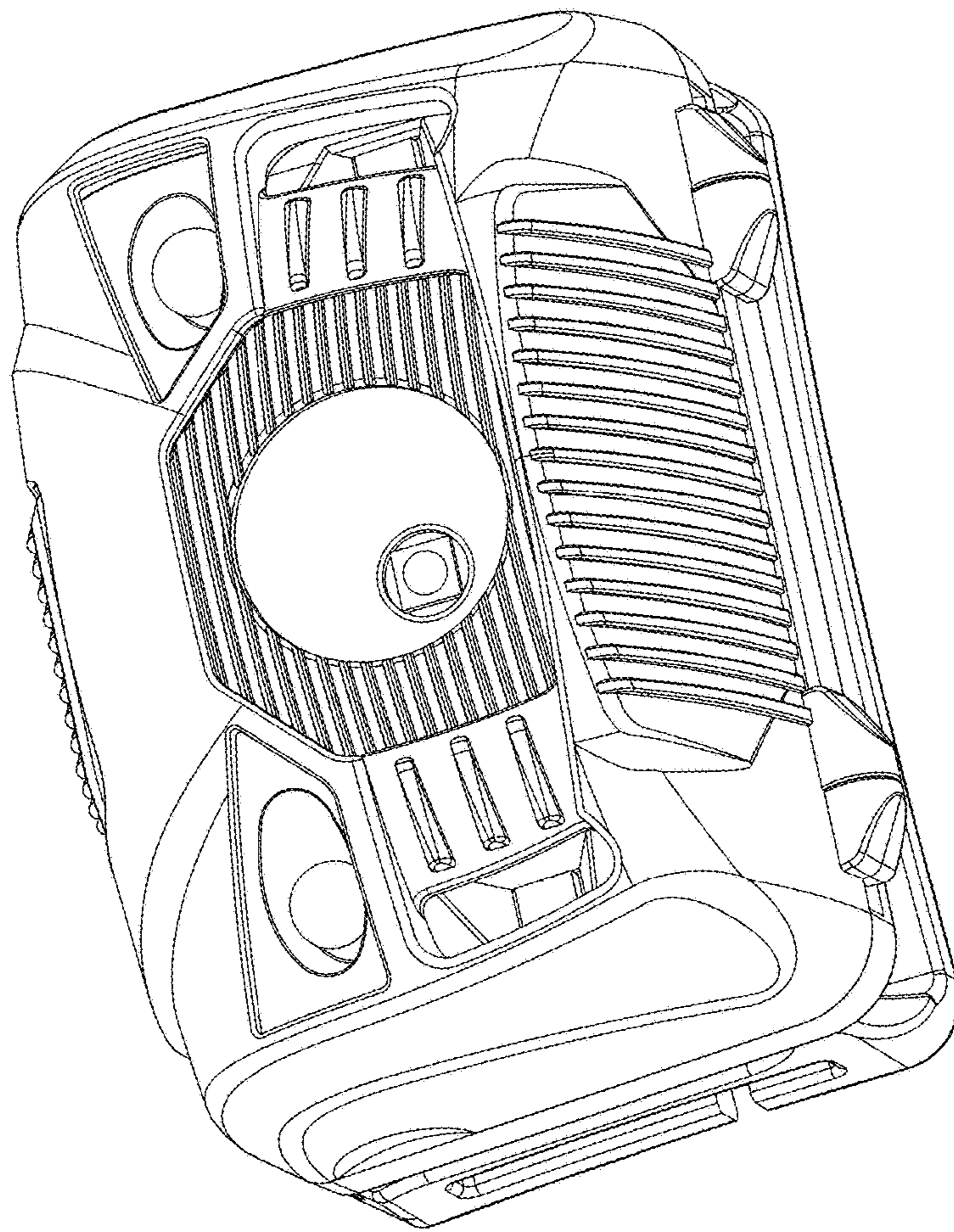


FIG. 8

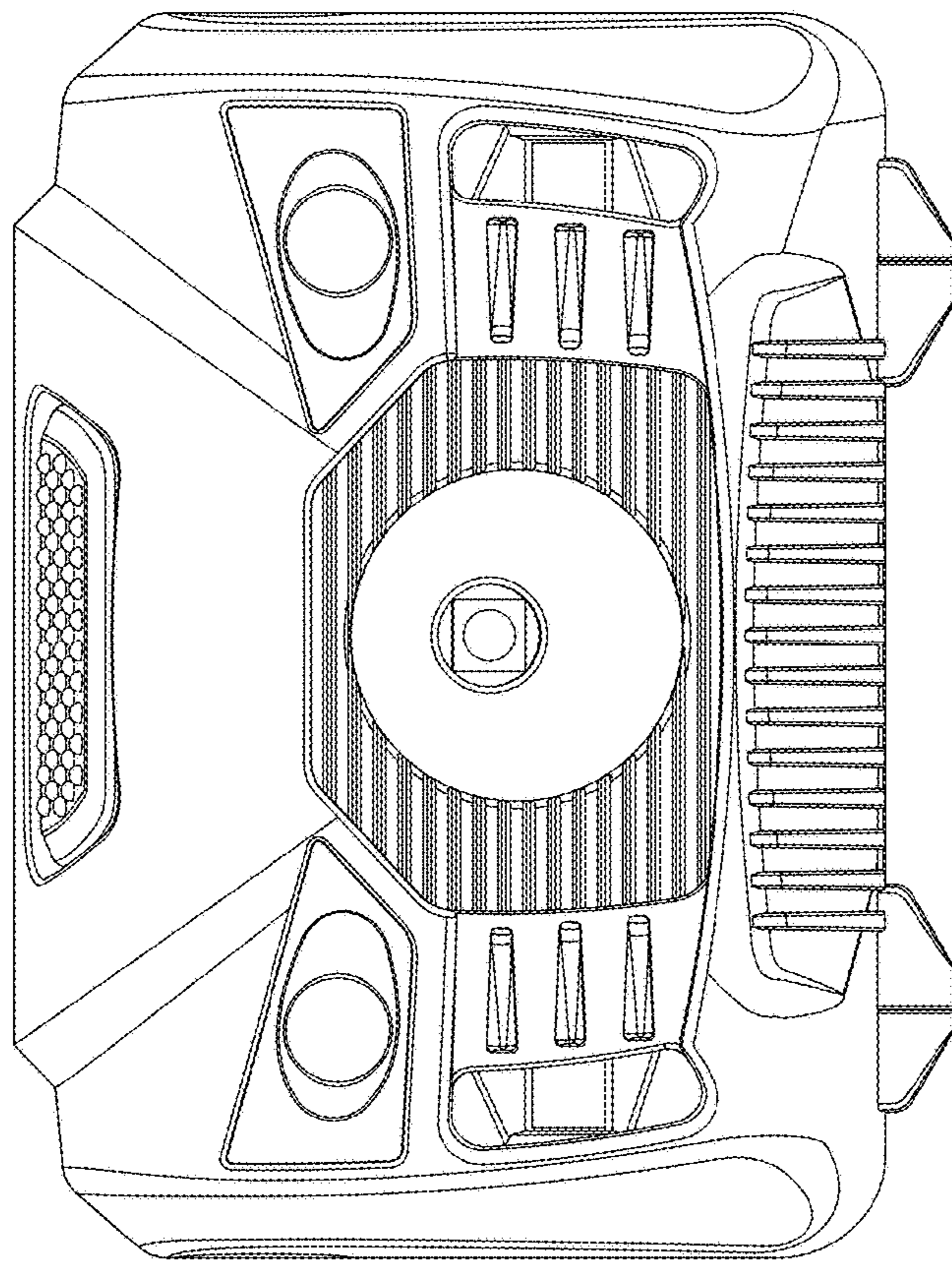


FIG. 9

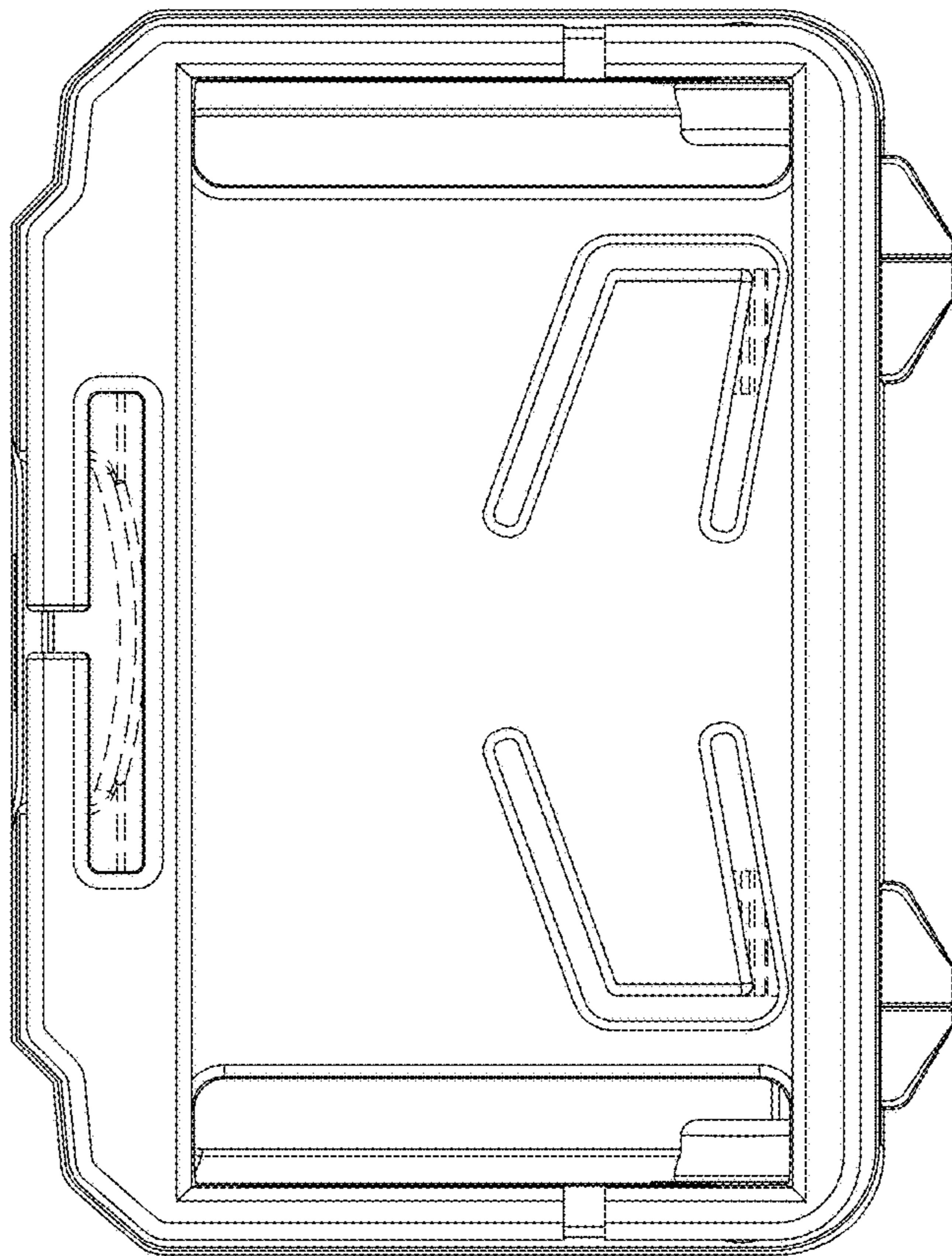


FIG. 10

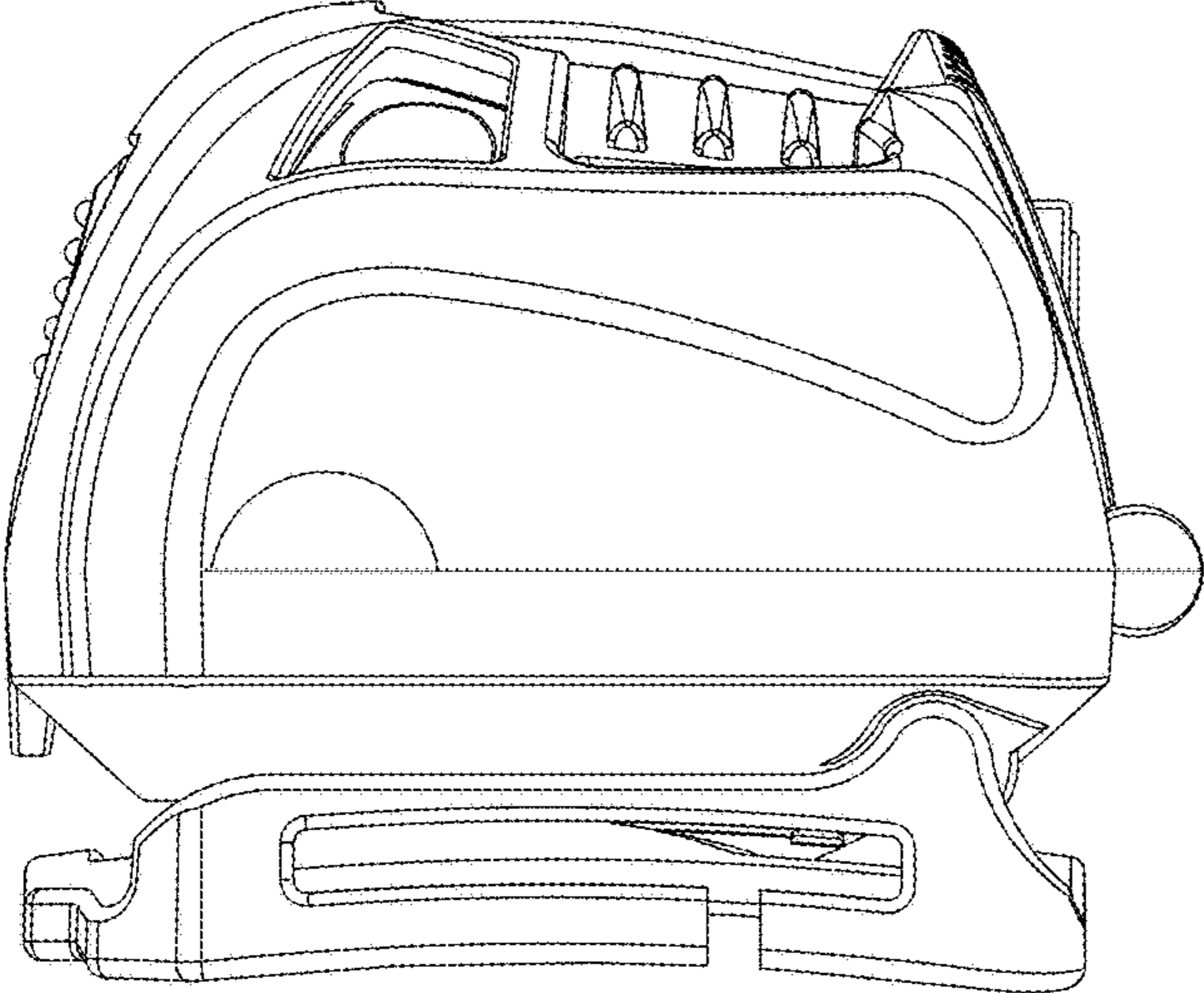


FIG. 11

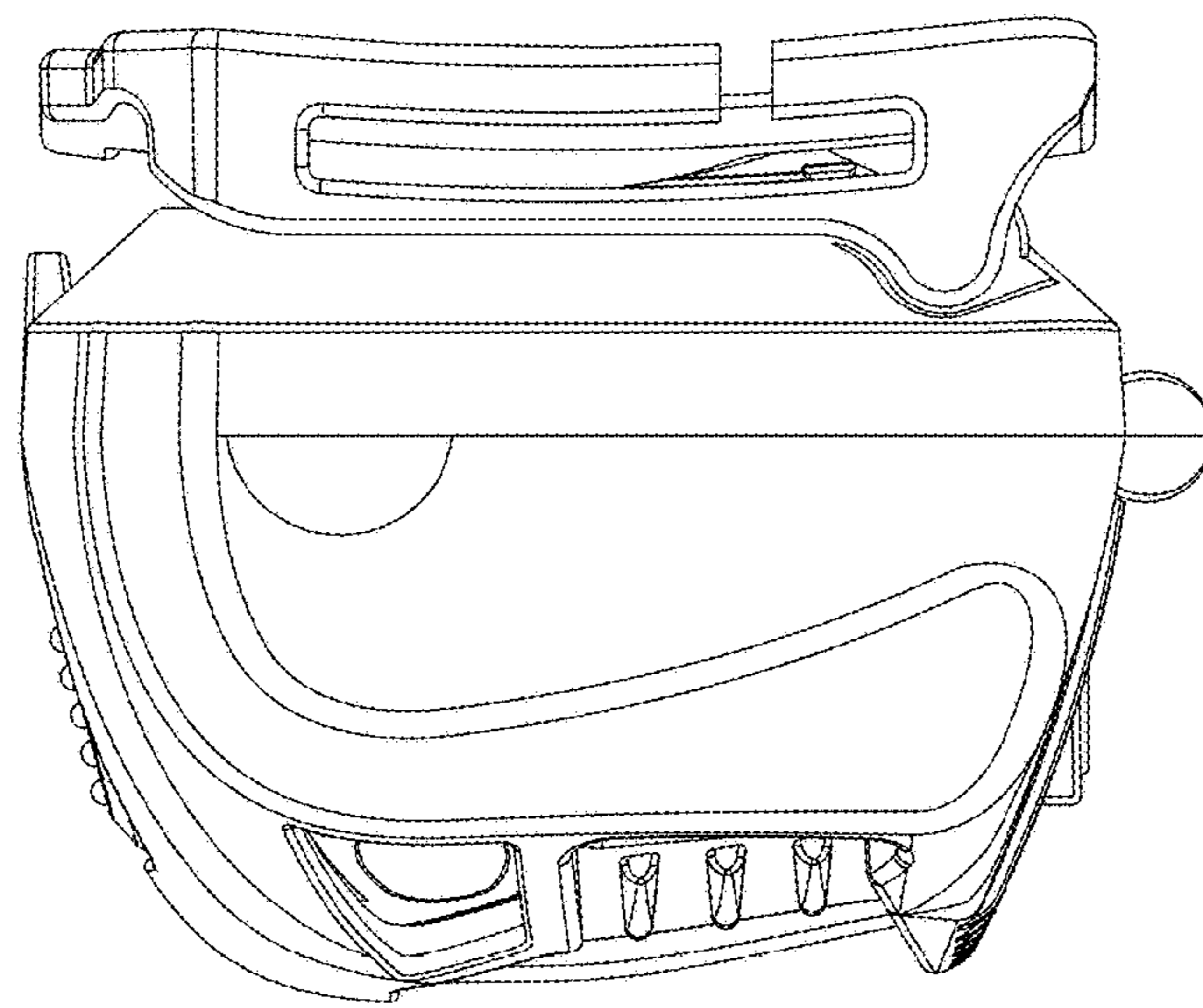


FIG. 12

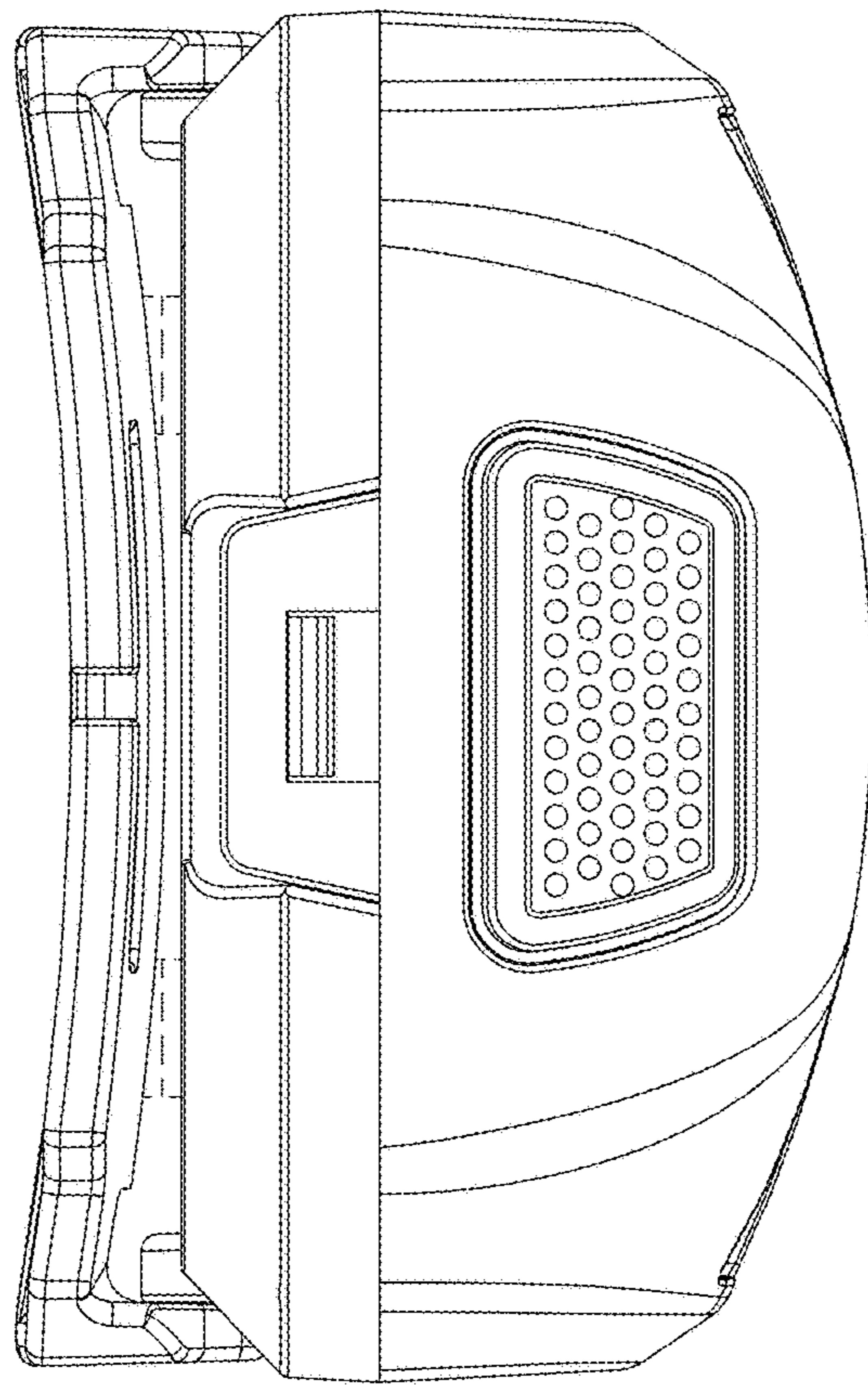


FIG. 13

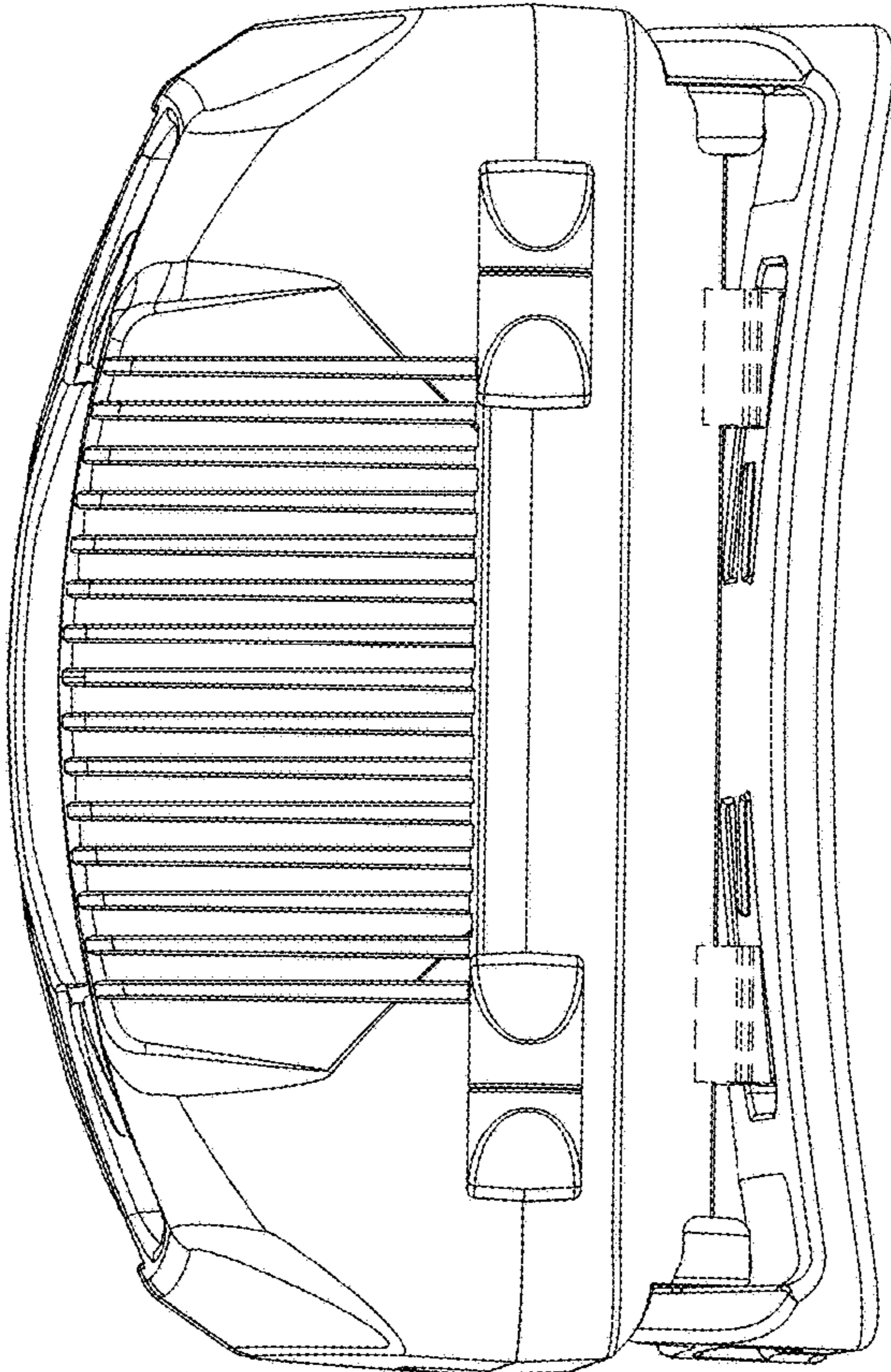


FIG. 14



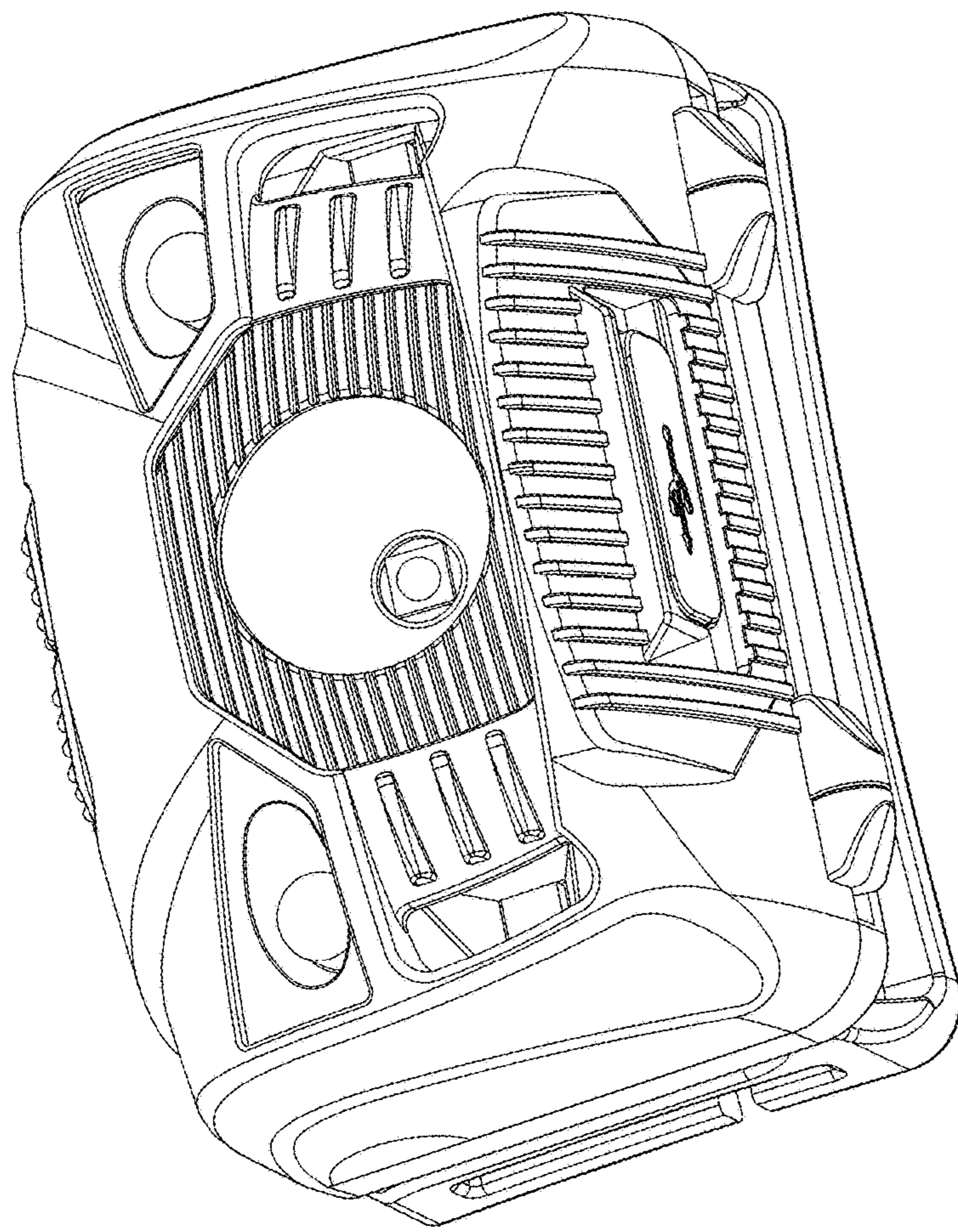


FIG. 15

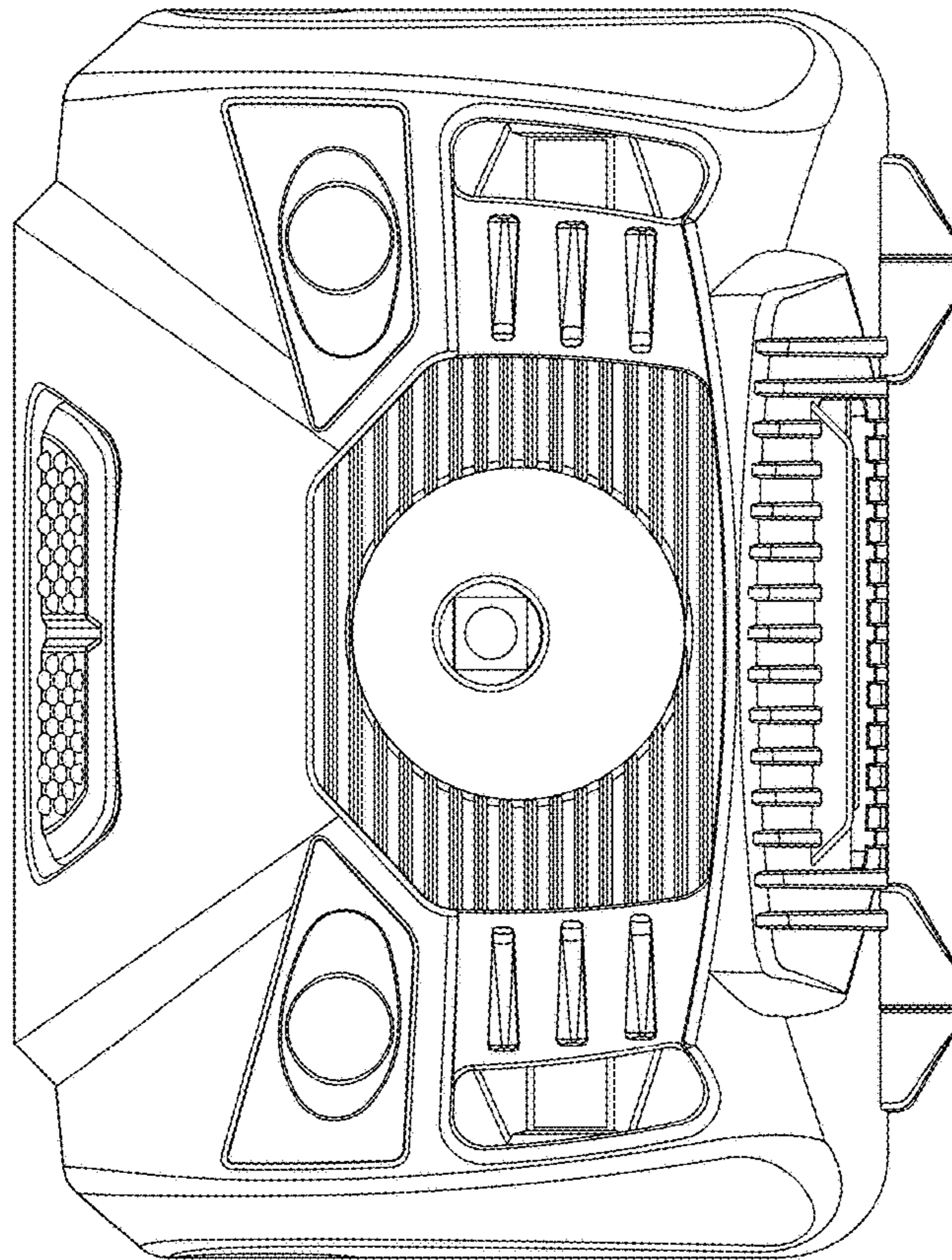


FIG. 16

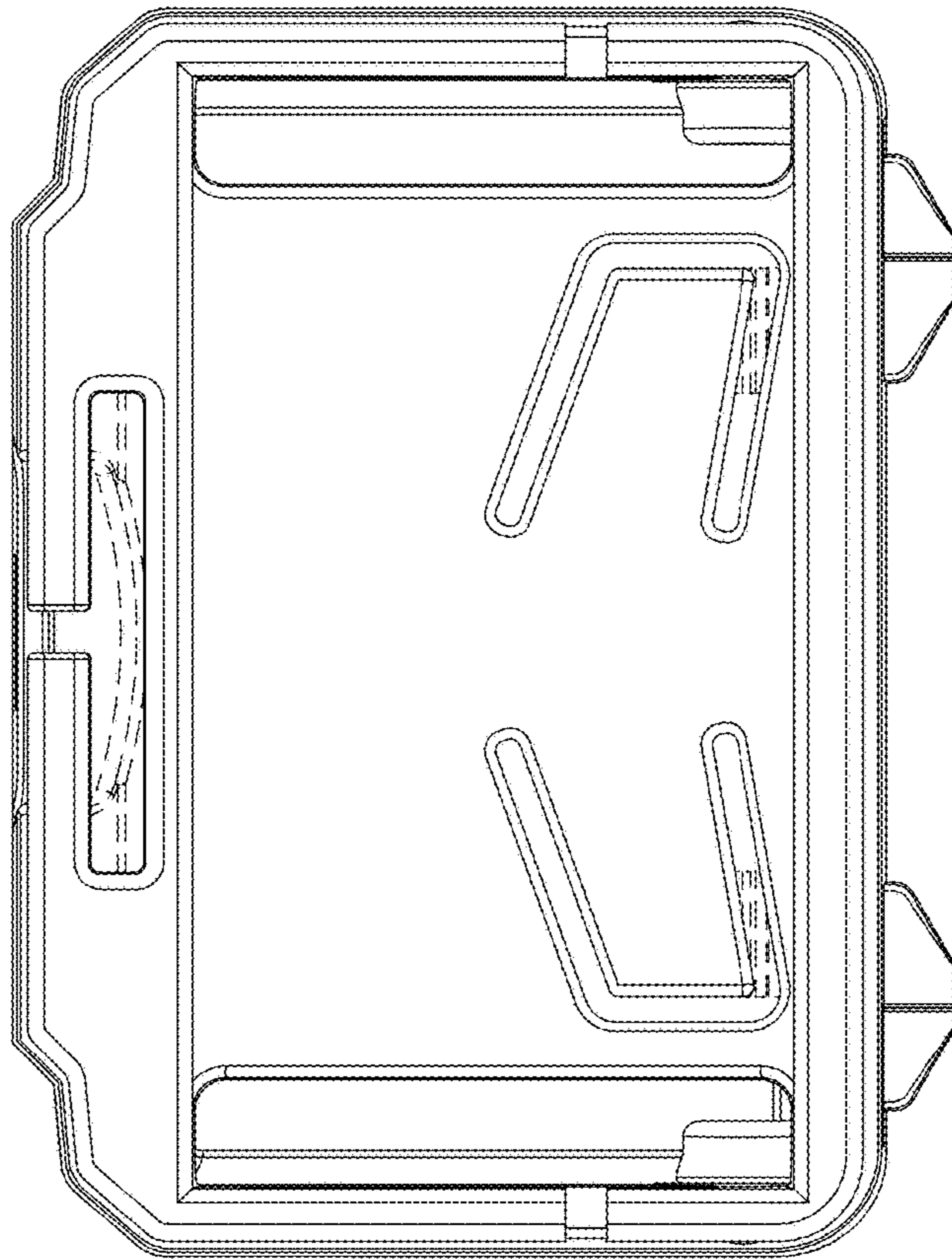


FIG. 17

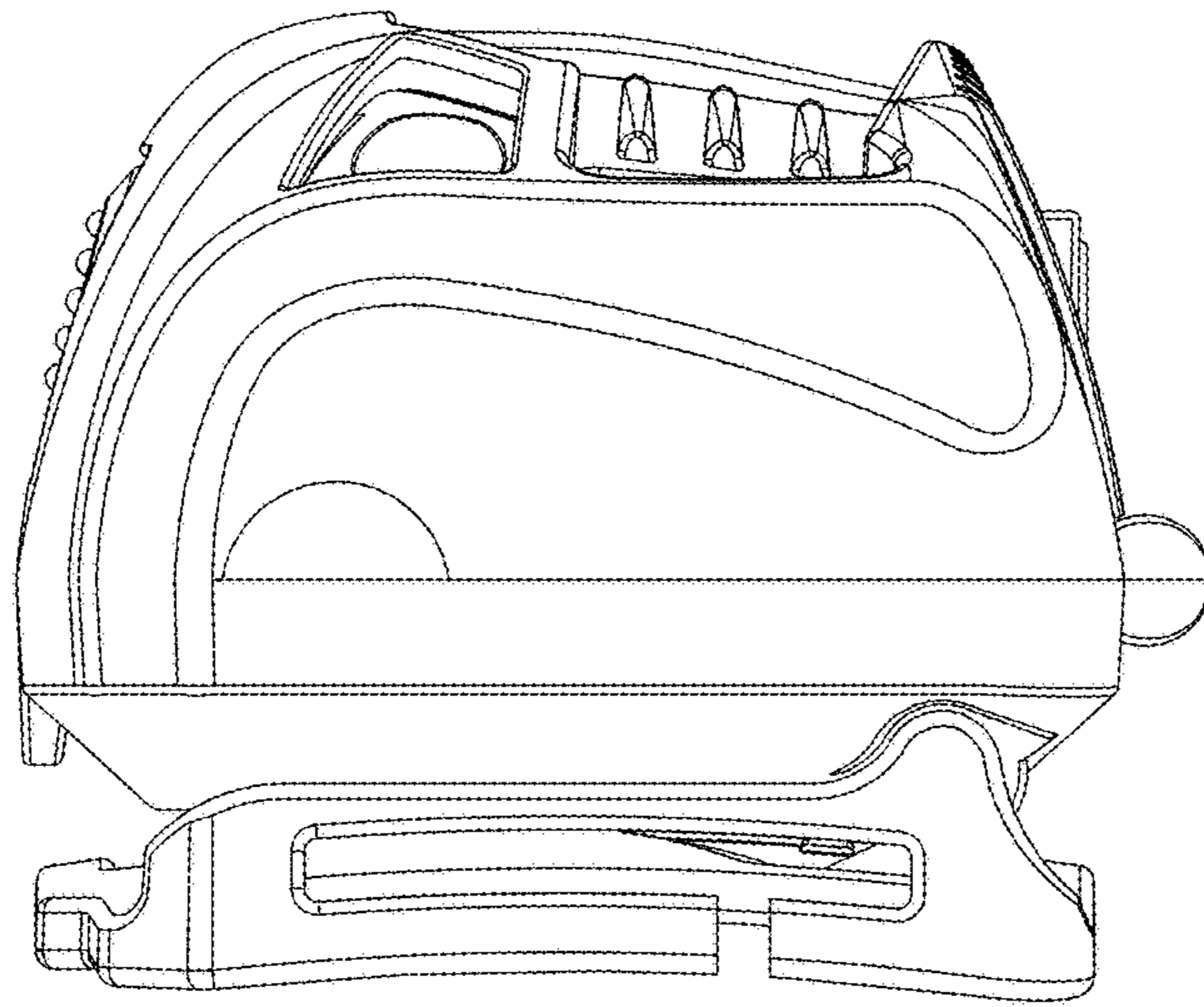


FIG. 18

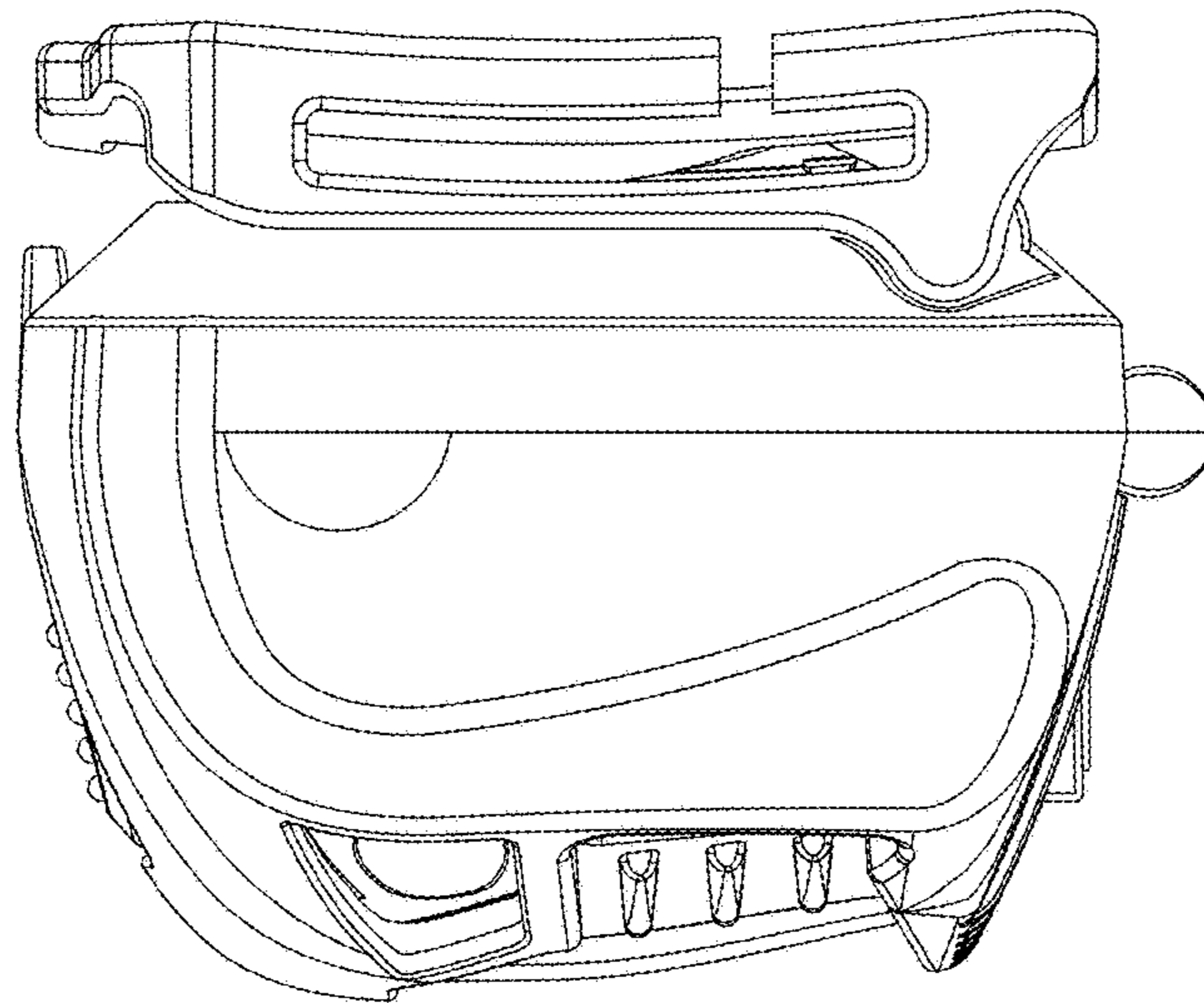


FIG. 19

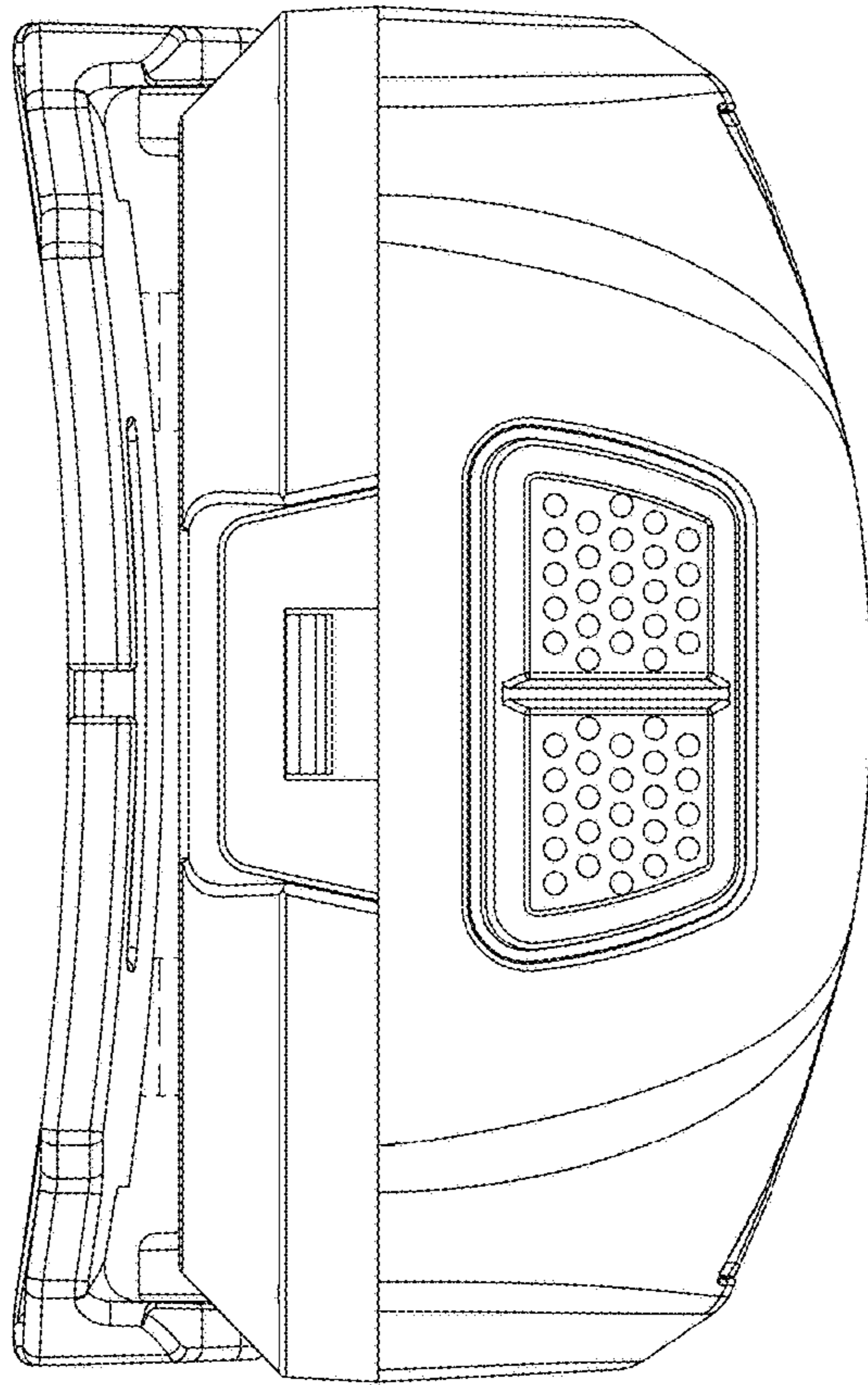


FIG. 20

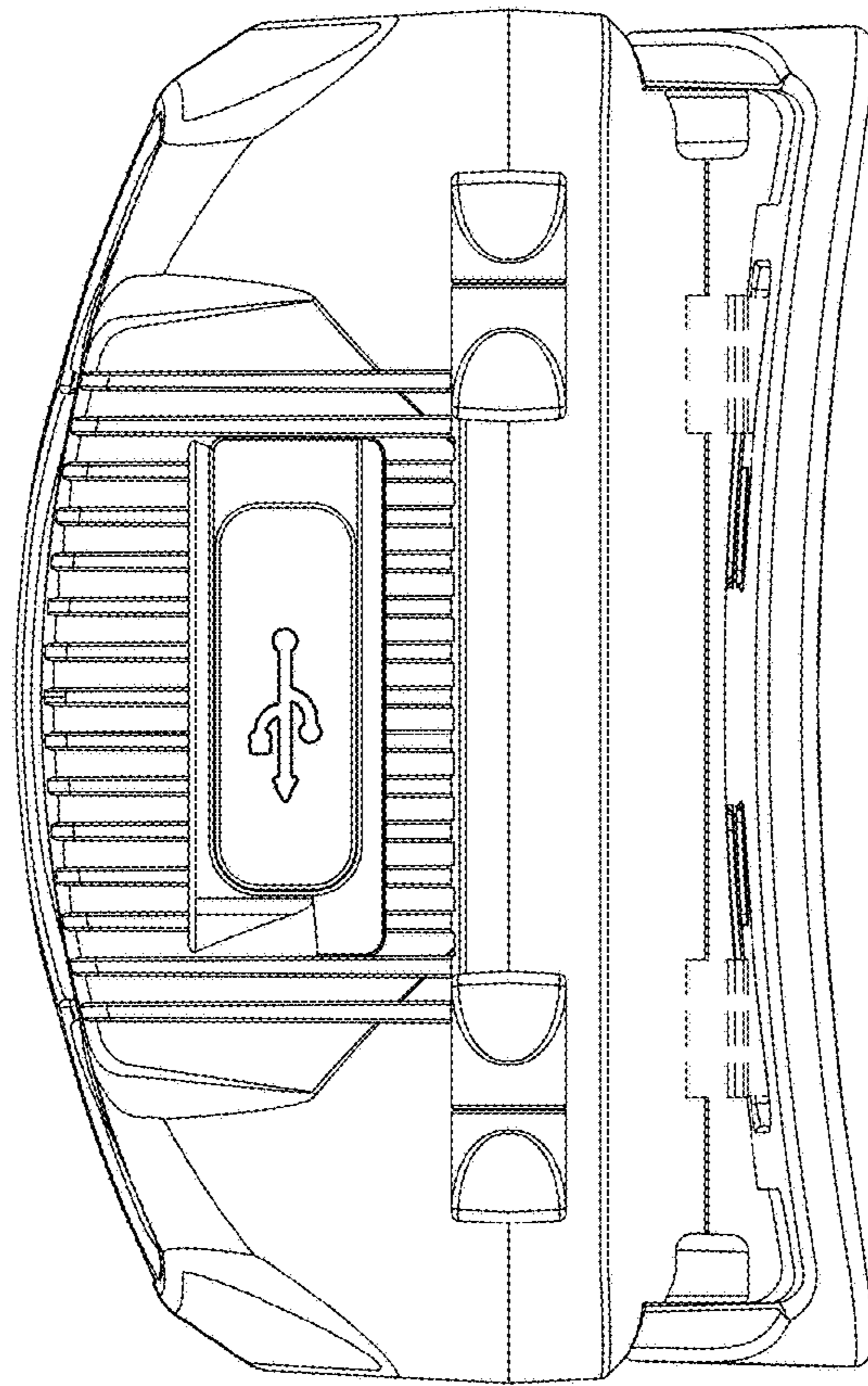


FIG. 21

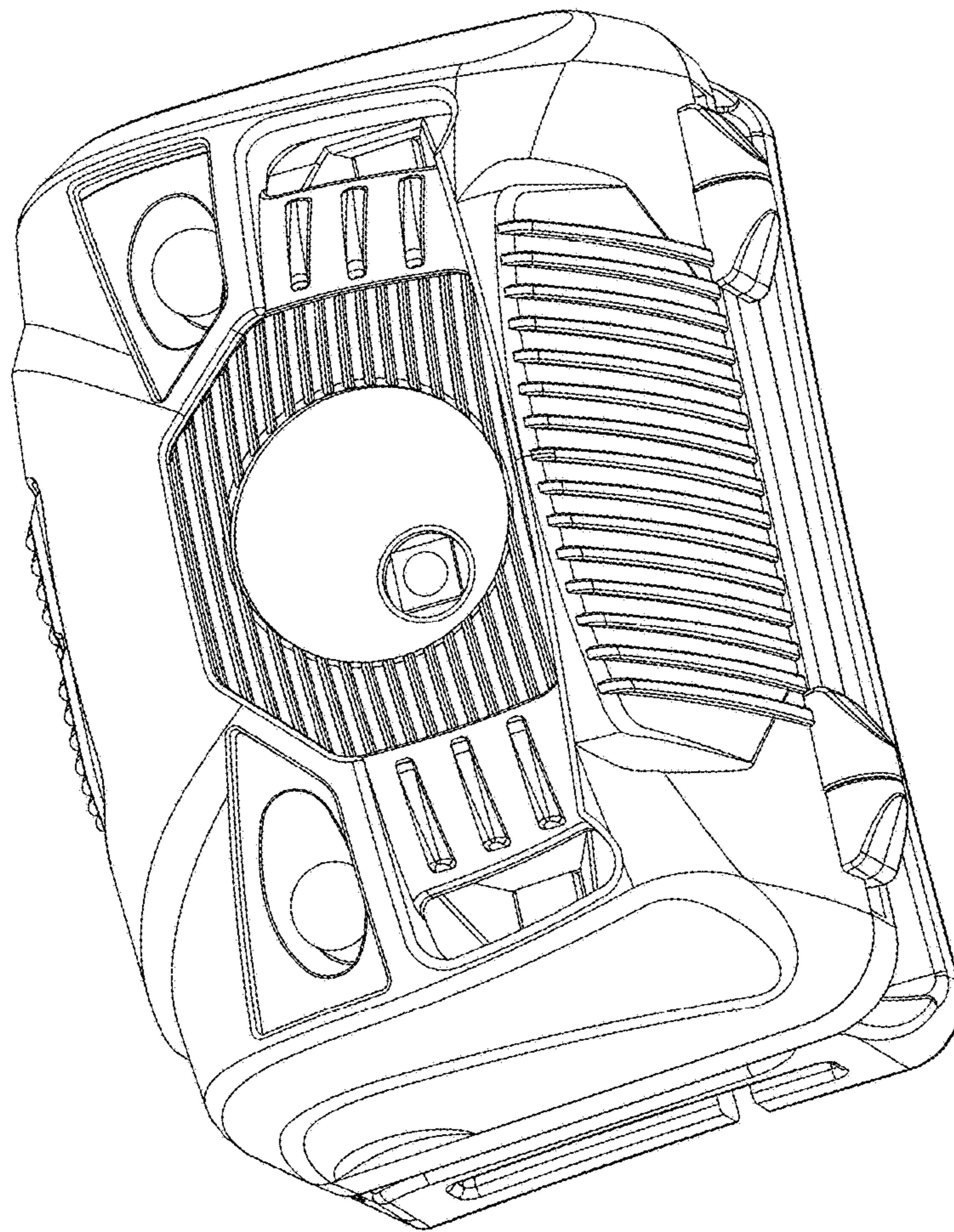


FIG. 22



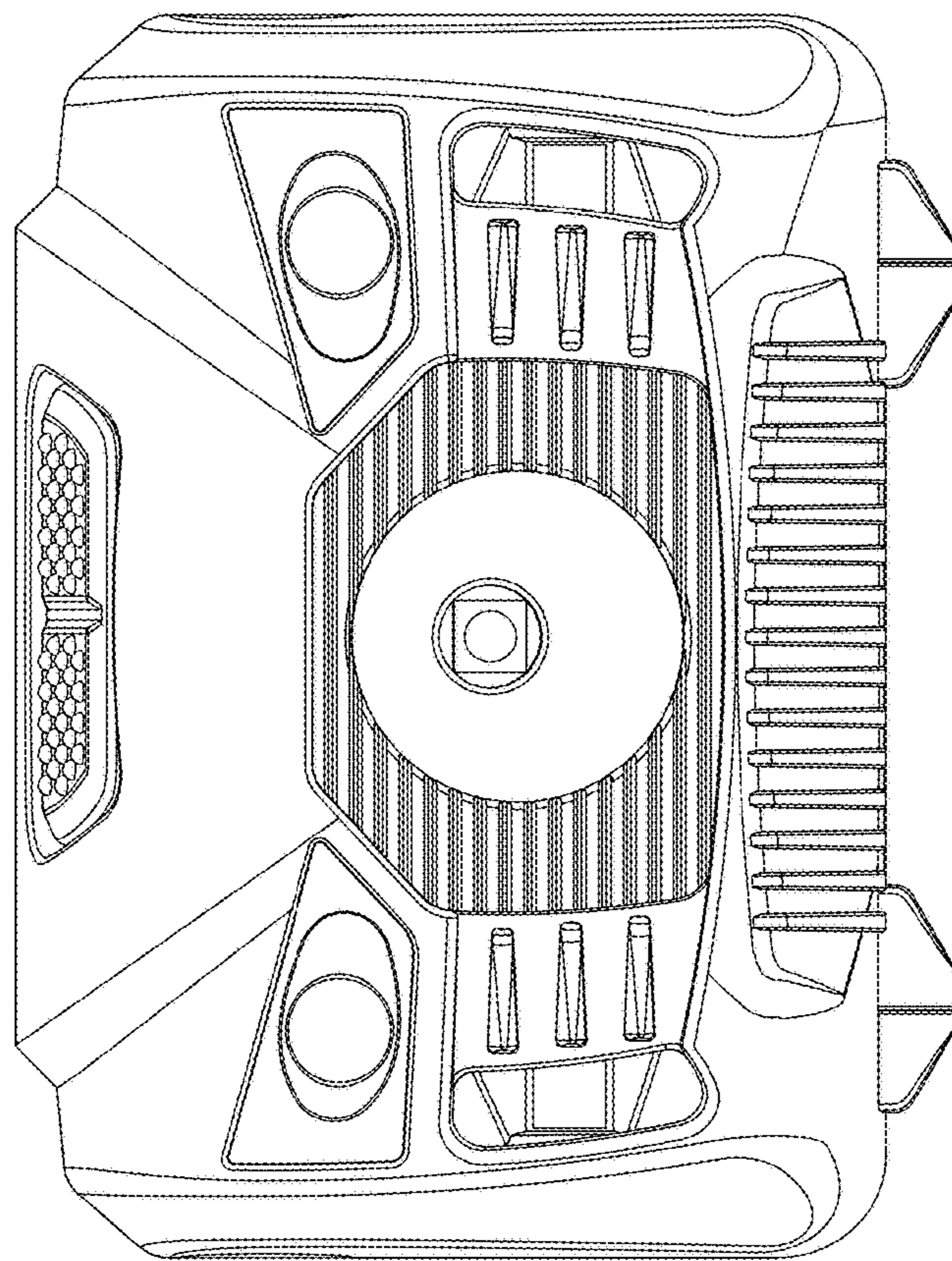


FIG. 23

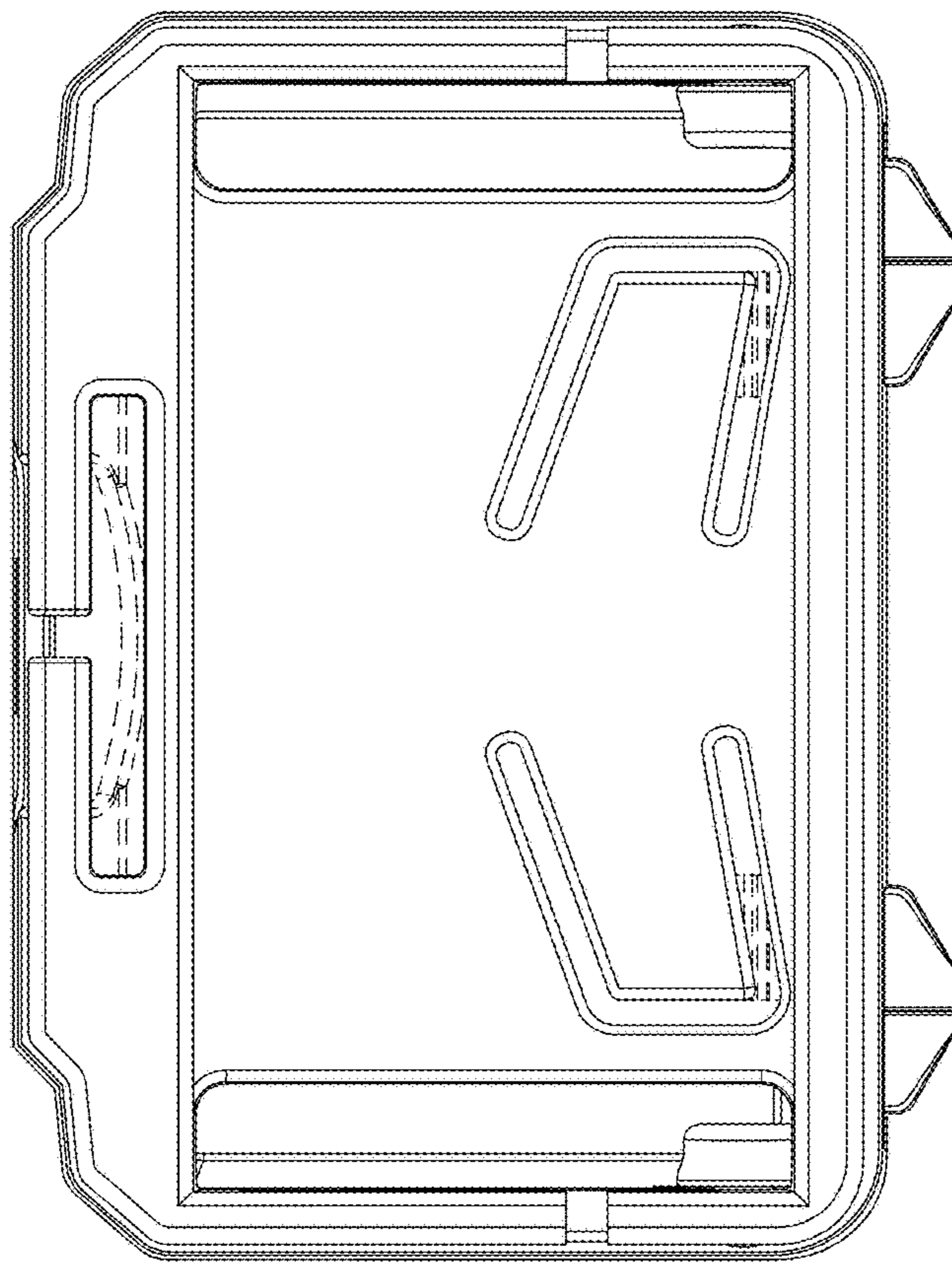


FIG. 24

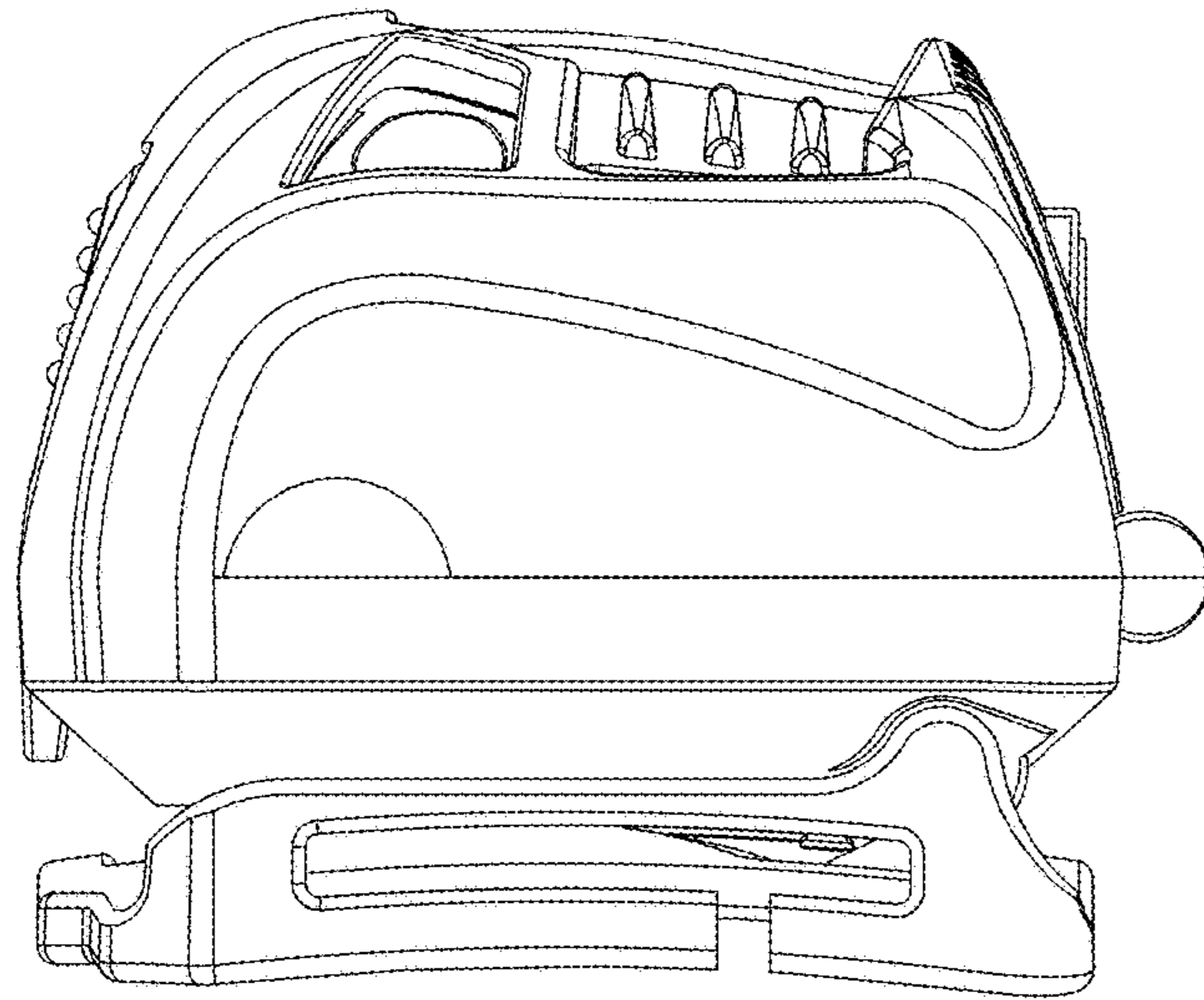


FIG. 25

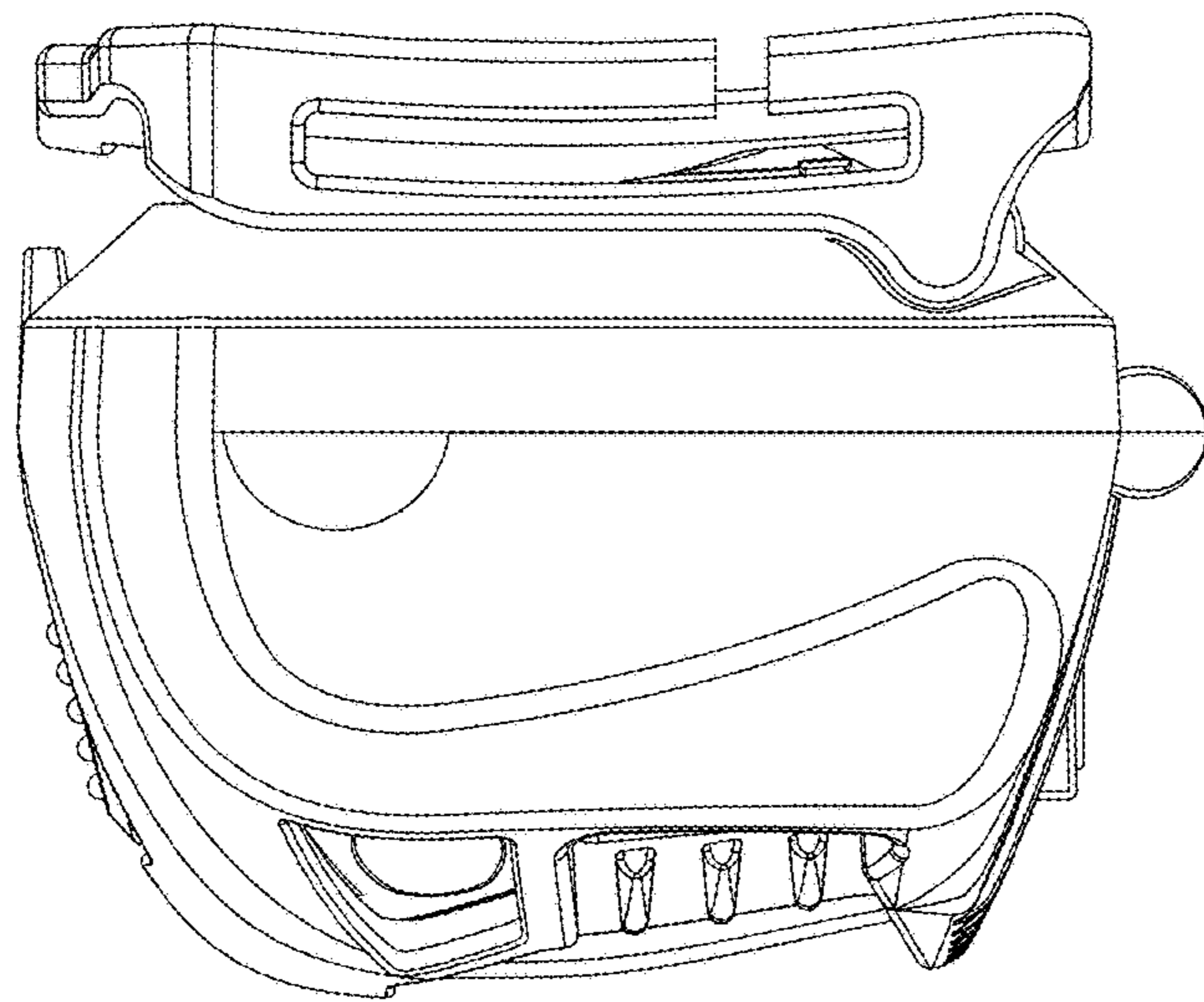


FIG. 26

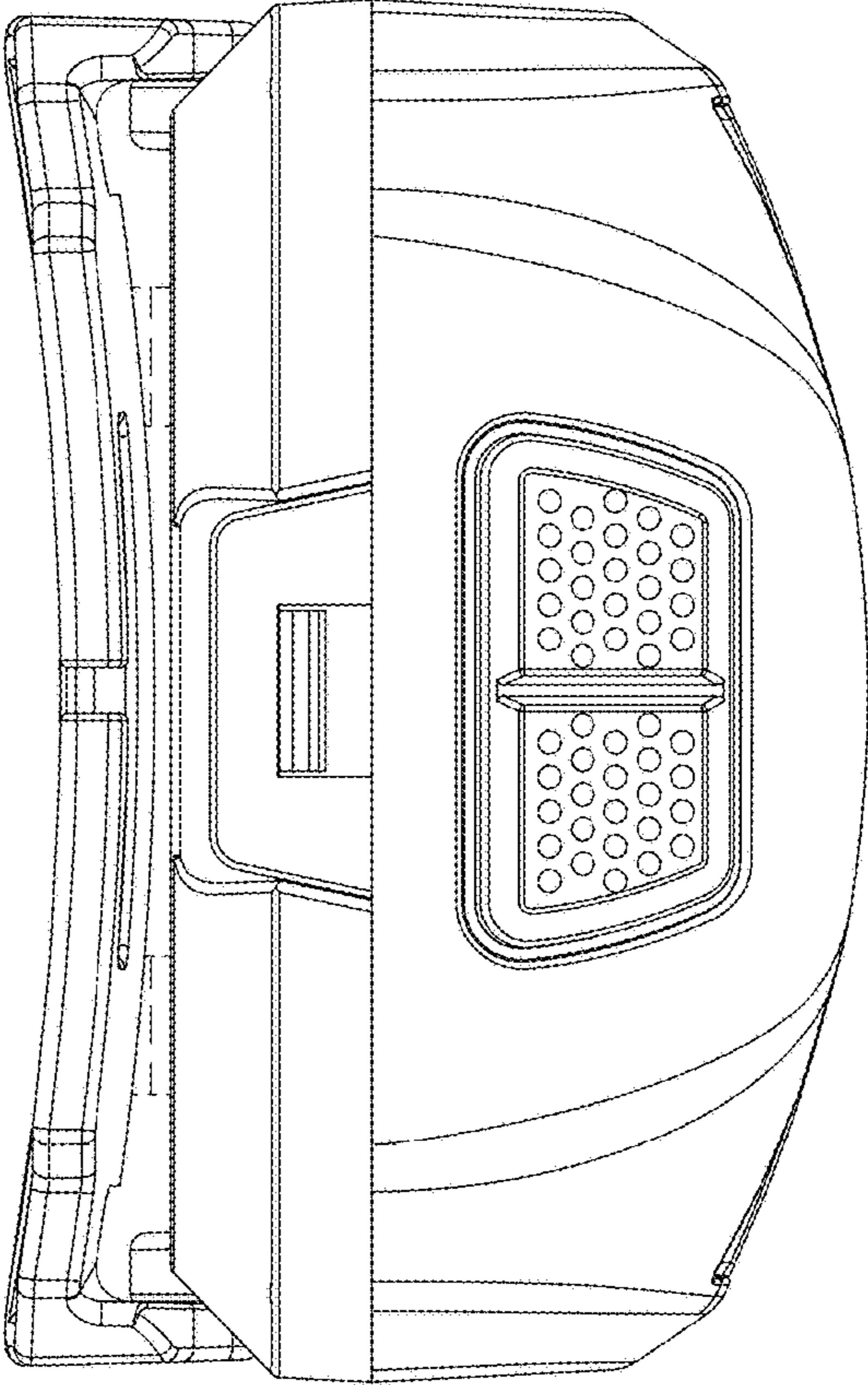


FIG. 27

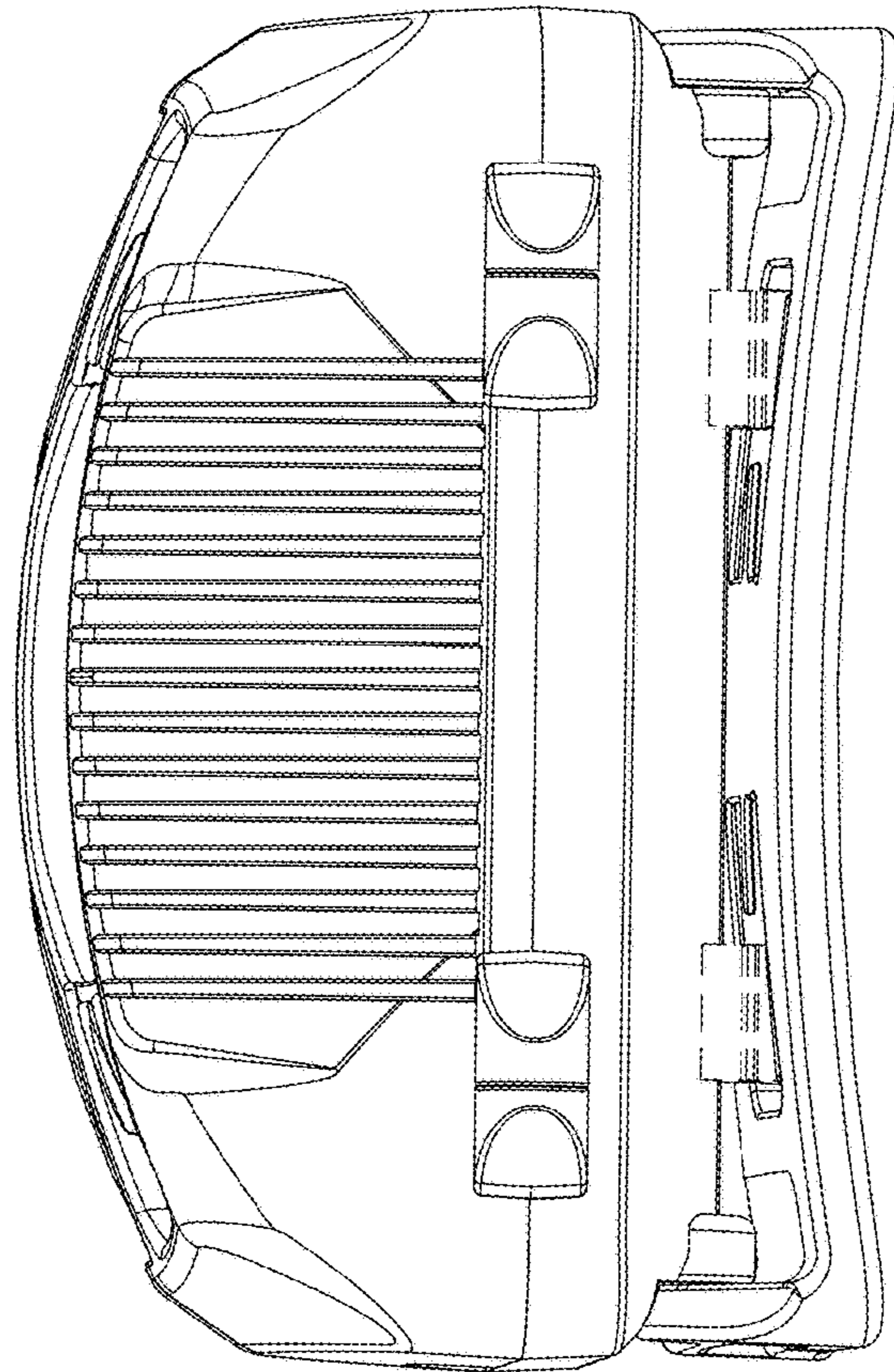


FIG. 28