



US00D848040S

(12) **United States Design Patent**
Binder

(10) **Patent No.:** **US D848,040 S**

(45) **Date of Patent:** **** May 7, 2019**

(54) **TAILLIGHT FOR A VEHICLE**
(71) Applicant: **Bayerische Motoren Werke**
Aktiengesellschaft, Munich (DE)

(72) Inventor: **Thomas Binder, Stockdorf (DE)**

(73) Assignee: **Bayerische Motoren Werke**
Aktiengesellschaft, Munich (DE)

(**) Term: **15 Years**

(21) Appl. No.: **29/631,787**

(22) Filed: **Jan. 3, 2018**

(30) **Foreign Application Priority Data**

Jul. 11, 2017 (DE) 40 2017 100 809

(51) **LOC (11) Cl.** **26-06**

(52) **U.S. Cl.**
USPC **D26/28**

(58) **Field of Classification Search**
USPC D26/28-36
CPC B60Q 1/0483; B60Q 9/13; B60Q 9/135;
B60Q 9/1375; F21S 48/00; F21S 48/10;
F21S 48/115; F21S 48/225; F21S
48/1233; F21S 48/1266; F21S 48/1388;
F21S 48/2268; F21V 21/04
See application file for complete search history.

(56) **References Cited**

U.S. PATENT DOCUMENTS

D549,363 S * 8/2007 Pfeiffer D26/28
D552,769 S * 10/2007 Leclercq D26/28
D553,269 S * 10/2007 Pfeiffer D26/28

D570,015 S * 5/2008 Hsu D26/28
D574,524 S * 8/2008 Tomatsu D26/28
D808,047 S 1/2018 Hannemann

FOREIGN PATENT DOCUMENTS

WO WO DM/068860 5/2007
WO WO DM/092771 3/2017
WO WO DM/0922771 3/2017
WO WO DM/068860 5/2017
WO WO DM/098388 11/2017
WO WO DM/098988 11/2017

* cited by examiner

Primary Examiner — Marcus A Jackson

(74) *Attorney, Agent, or Firm* — Crowell & Moring LLP

(57) **CLAIM**

The ornamental design for a taillight for a vehicle, as shown and described.

DESCRIPTION

This application contains subject matter related to the following co-pending U.S. design patent applications:

Application Ser. No. 29/624,713, filed Nov. 3, 2017 and entitled "Taillight for a Vehicle"; and

Application Ser. No. 29/631,774, filed herewith and entitled "Vehicle, Toy, and/or Replicas Thereof".

FIG. 1 is a front view of a taillight for a vehicle according to the design;

FIG. 2 is a left, front perspective view thereof;

FIG. 3 is a right, front perspective view thereof;

FIG. 4 is a left side view thereof;

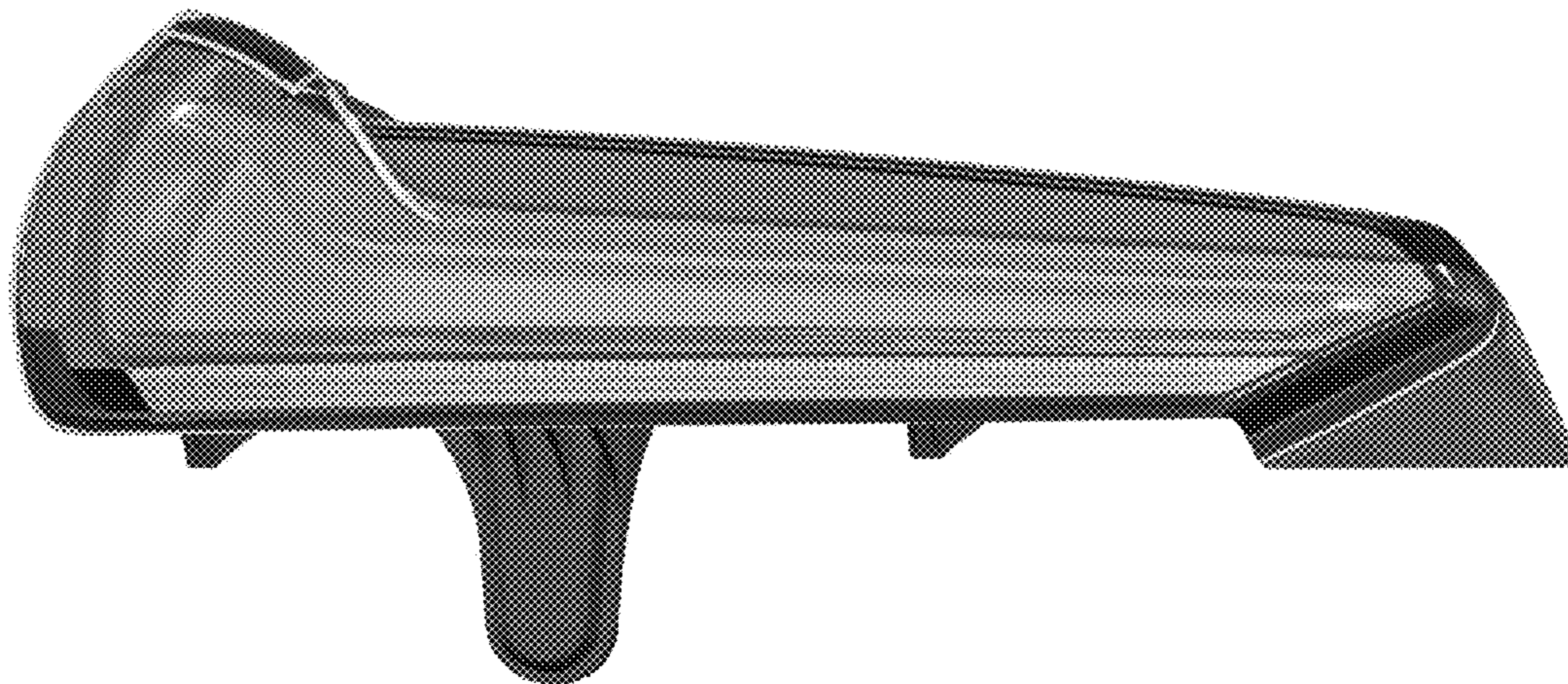
FIG. 5 is a right side view thereof;

FIG. 6 is a top view thereof;

FIG. 7 is a bottom view thereof; and,

FIG. 8 is a rear view thereof.

1 Claim, 8 Drawing Sheets



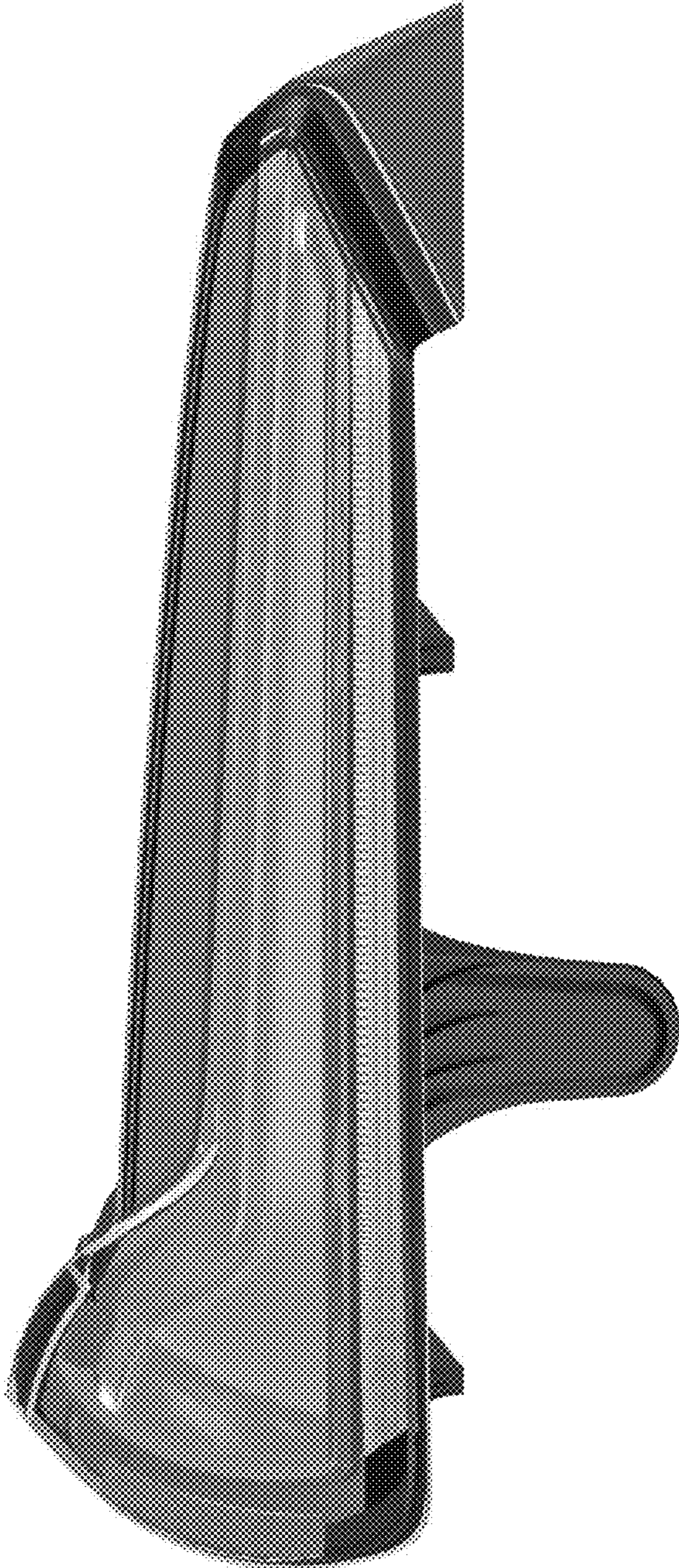


Fig. 1

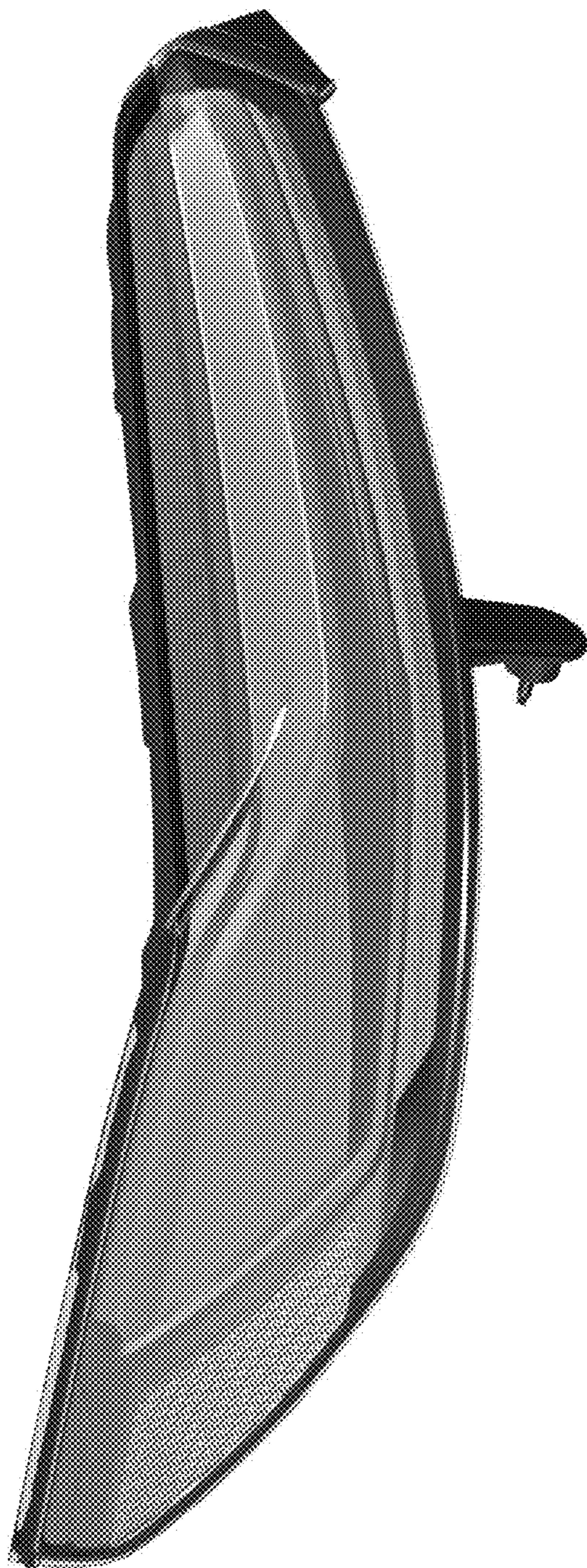


Fig. 2

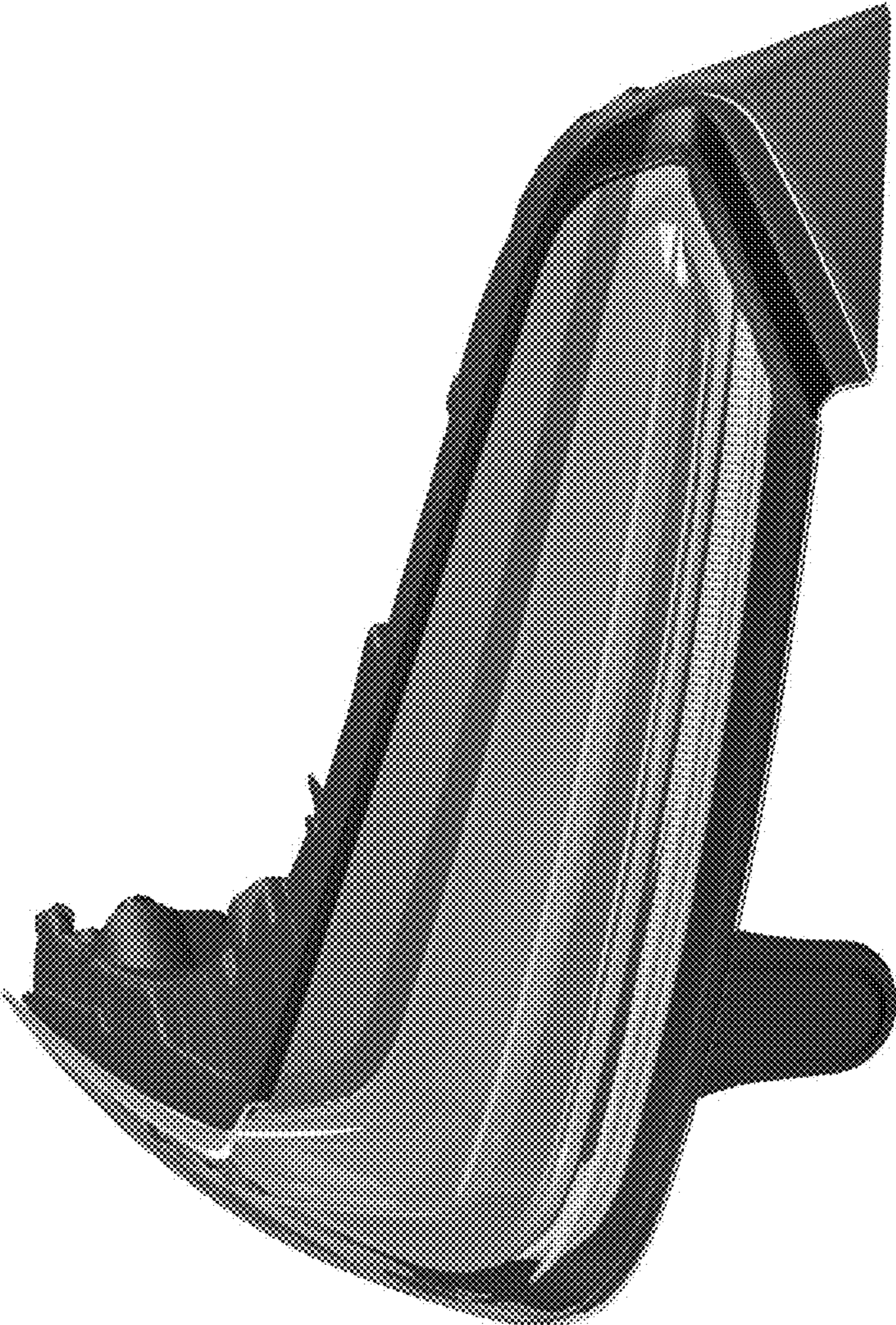


Fig. 3

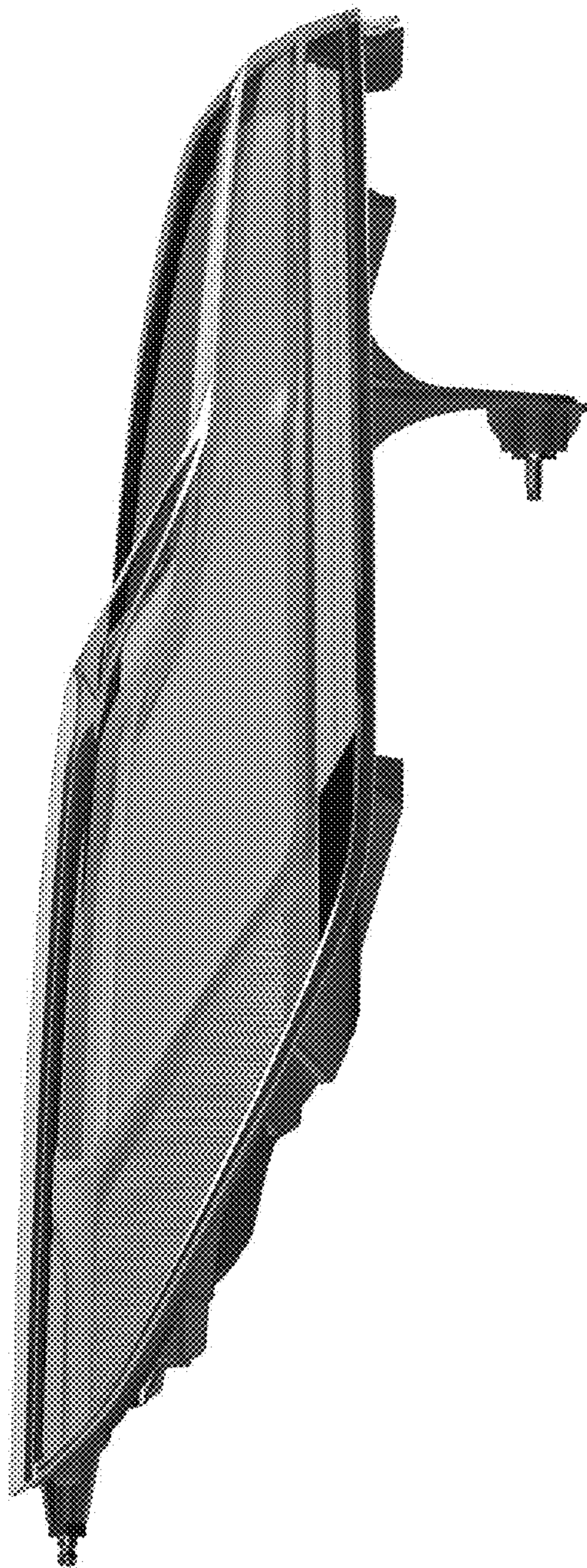


Fig. 4

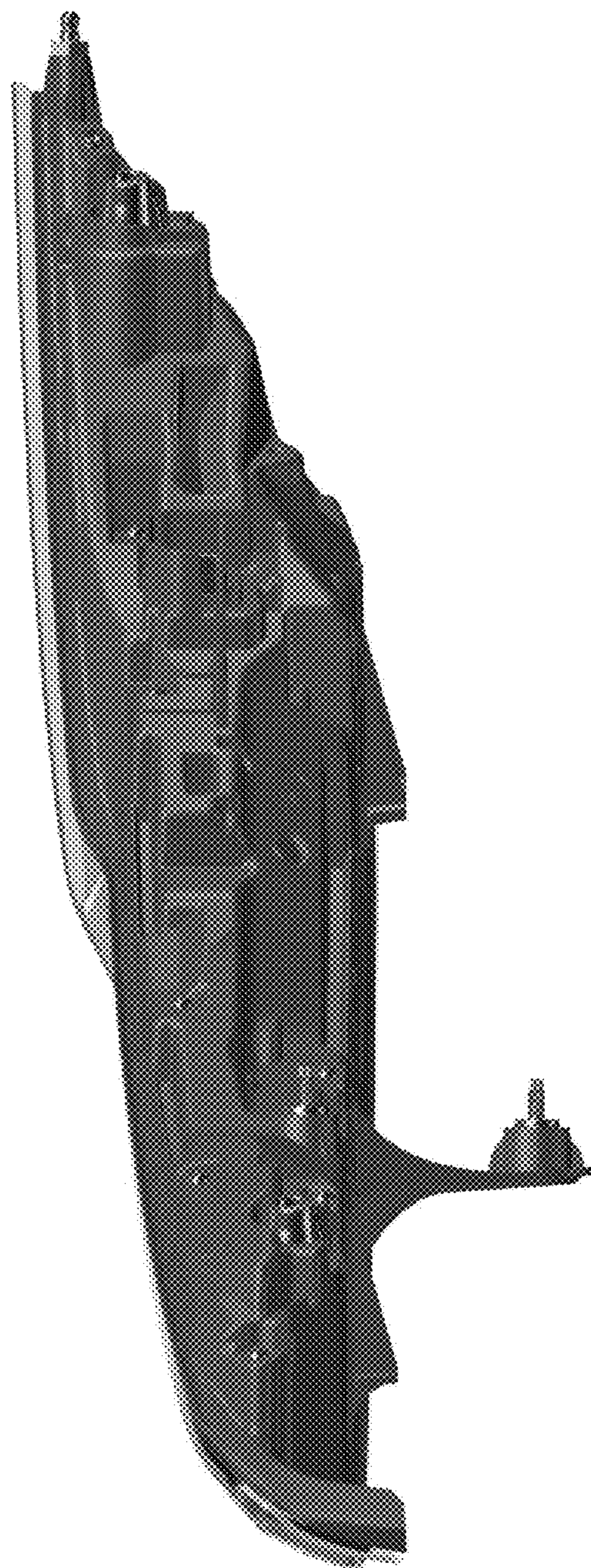


Fig. 5

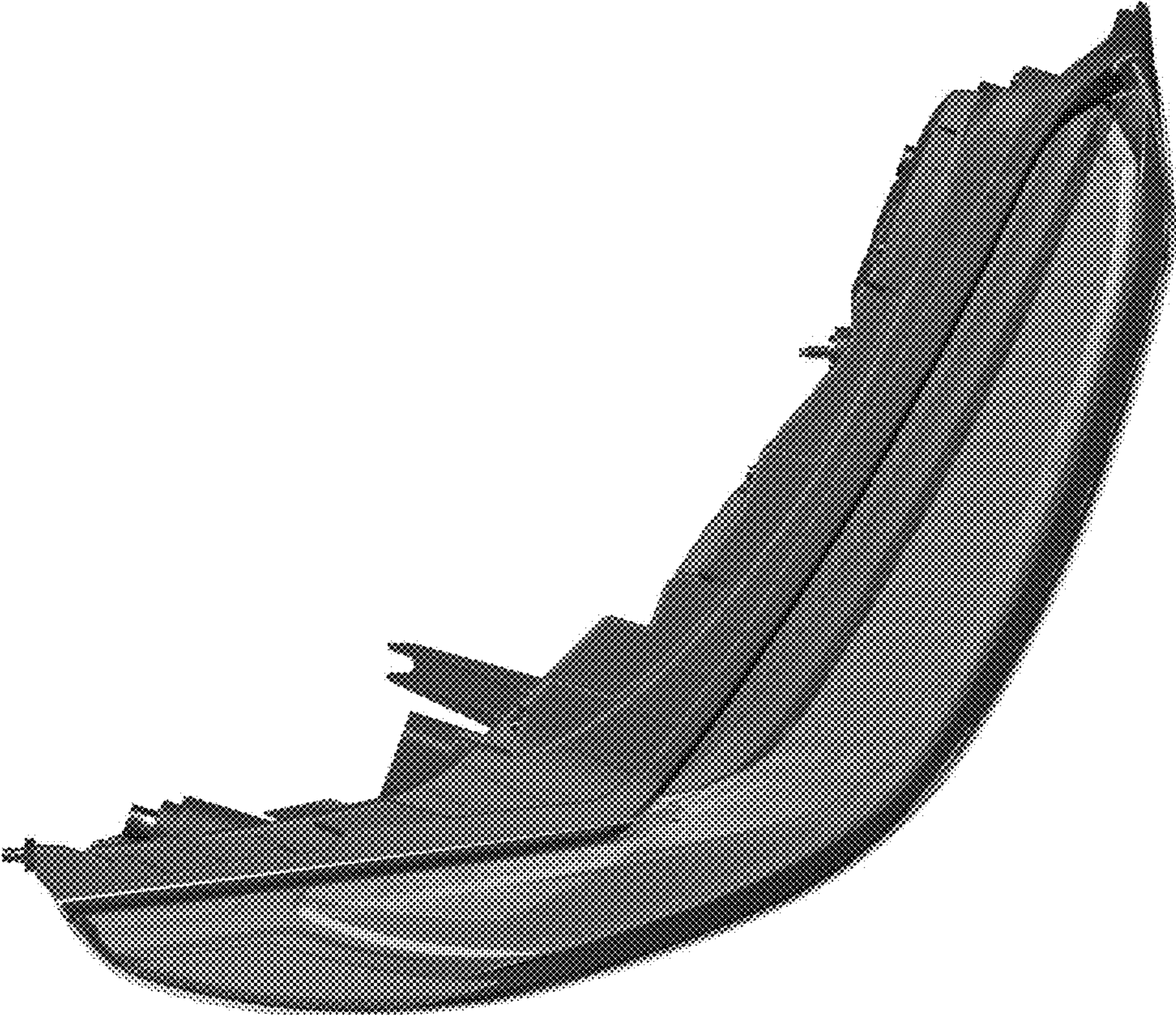


Fig. 6

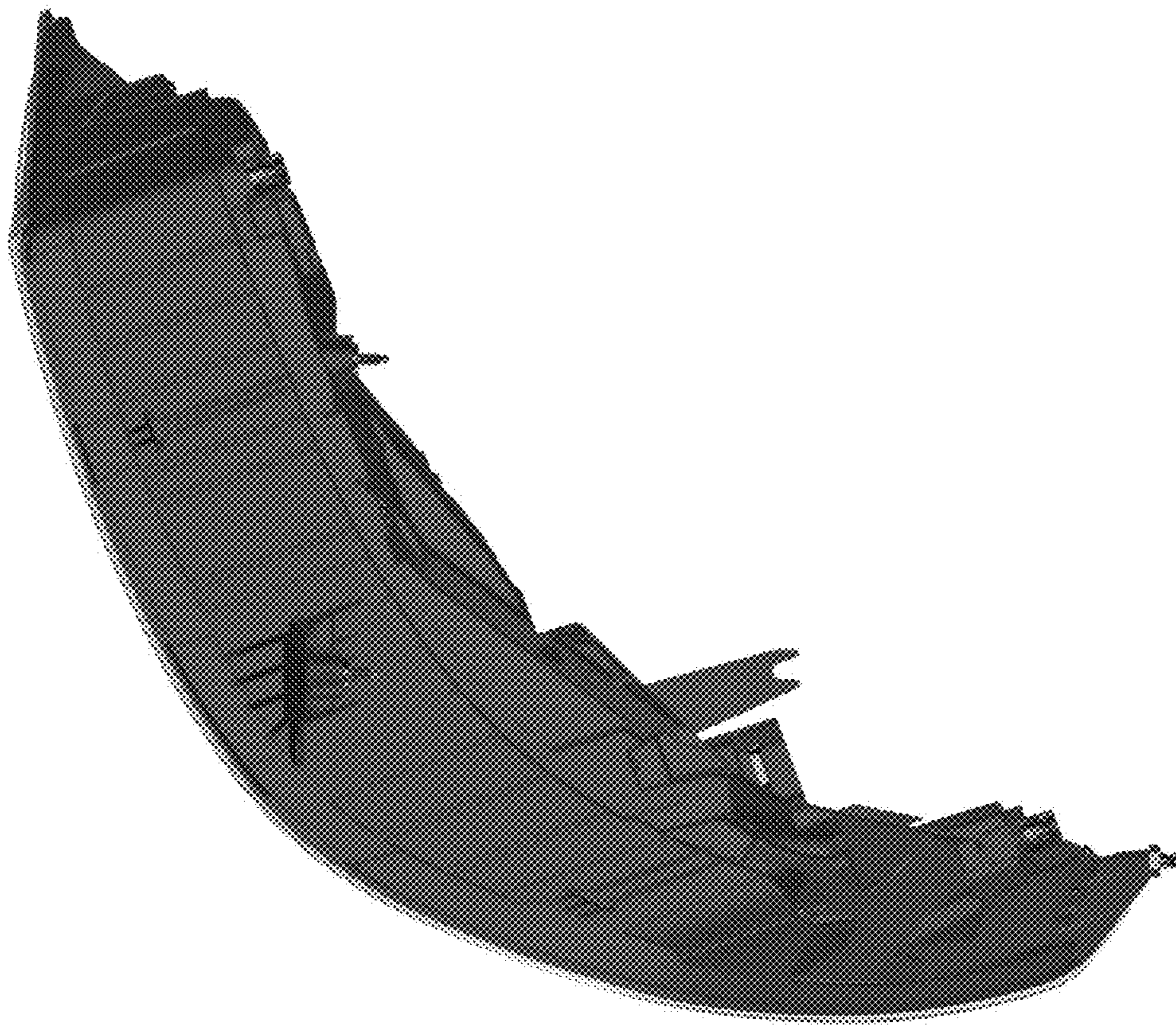


Fig. 7

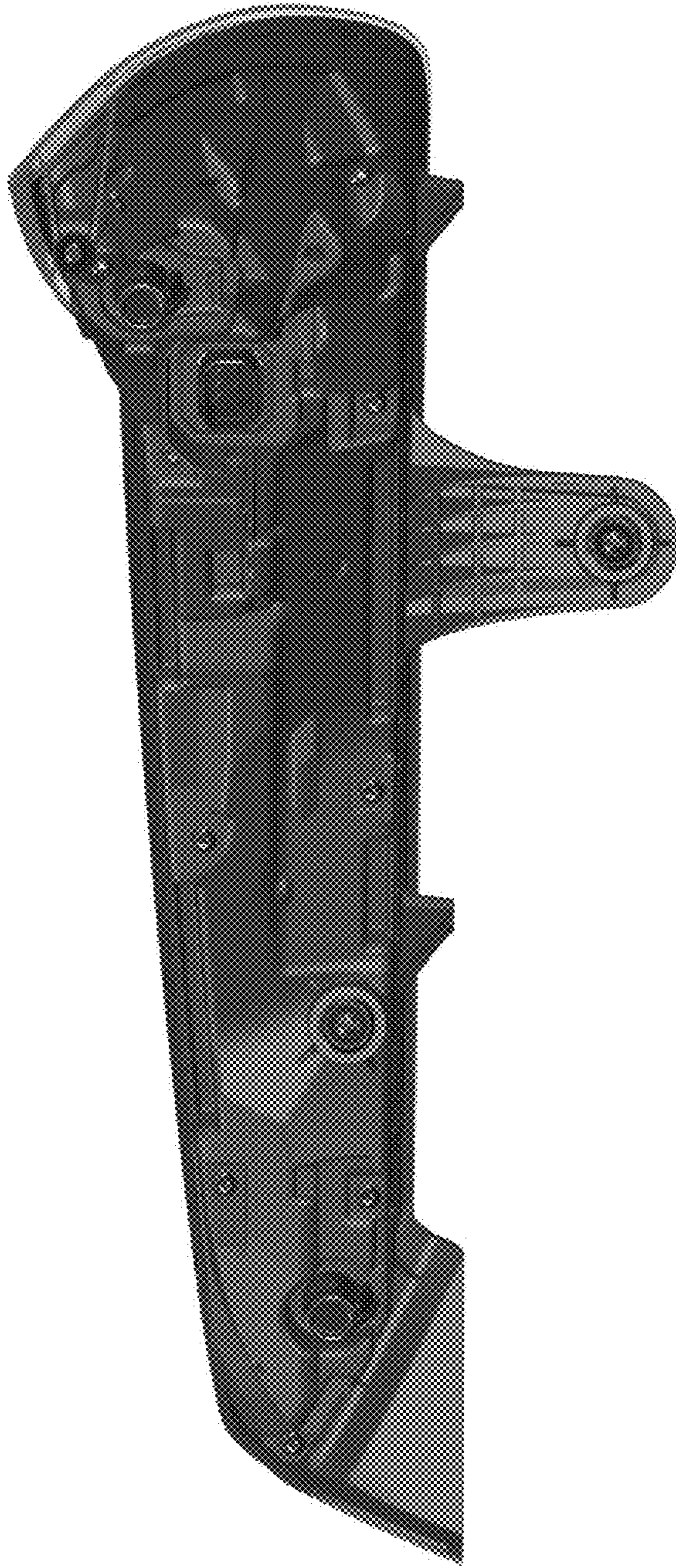


Fig. 8