



US00D848039S

(12) **United States Design Patent** (10) **Patent No.:** **US D848,039 S**
Conway et al. (45) **Date of Patent:** **** May 7, 2019**

(54) **HEADLAMP ASSEMBLY**

(71) Applicants: **Scott M. Conway**, Flower Mound, TX (US); **Jonathan S. Duncan**, Seattle, WA (US); **Steven H. Hovind**, Renton, WA (US); **Ales Brostik**, Lutin (CZ); **Roman Kopecky**, Lostice (CZ)

(72) Inventors: **Scott M. Conway**, Flower Mound, TX (US); **Jonathan S. Duncan**, Seattle, WA (US); **Steven H. Hovind**, Renton, WA (US); **Ales Brostik**, Lutin (CZ); **Roman Kopecky**, Lostice (CZ)

(73) Assignee: **PACCAR Inc**, Bellevue, WA (US)

(**) Term: **15 Years**

(21) Appl. No.: **29/631,579**

(22) Filed: **Dec. 29, 2017**

Related U.S. Application Data

(63) Continuation-in-part of application No. 29/599,300, filed on Mar. 31, 2017, and a continuation-in-part of (Continued)

(51) **LOC (11) Cl.** **26-06**

(52) **U.S. Cl.**
USPC **D26/28**

(58) **Field of Classification Search**
USPC D26/28-36
(Continued)

(56) **References Cited**

U.S. PATENT DOCUMENTS

D556,349 S * 11/2007 Golden D26/28
D570,007 S * 5/2008 Hsu D26/28
D593,232 S * 5/2009 Koman D26/28

* cited by examiner

Primary Examiner — Marcus A Jackson

(74) *Attorney, Agent, or Firm* — Christensen O'Connor Johnson Kindness PLLC

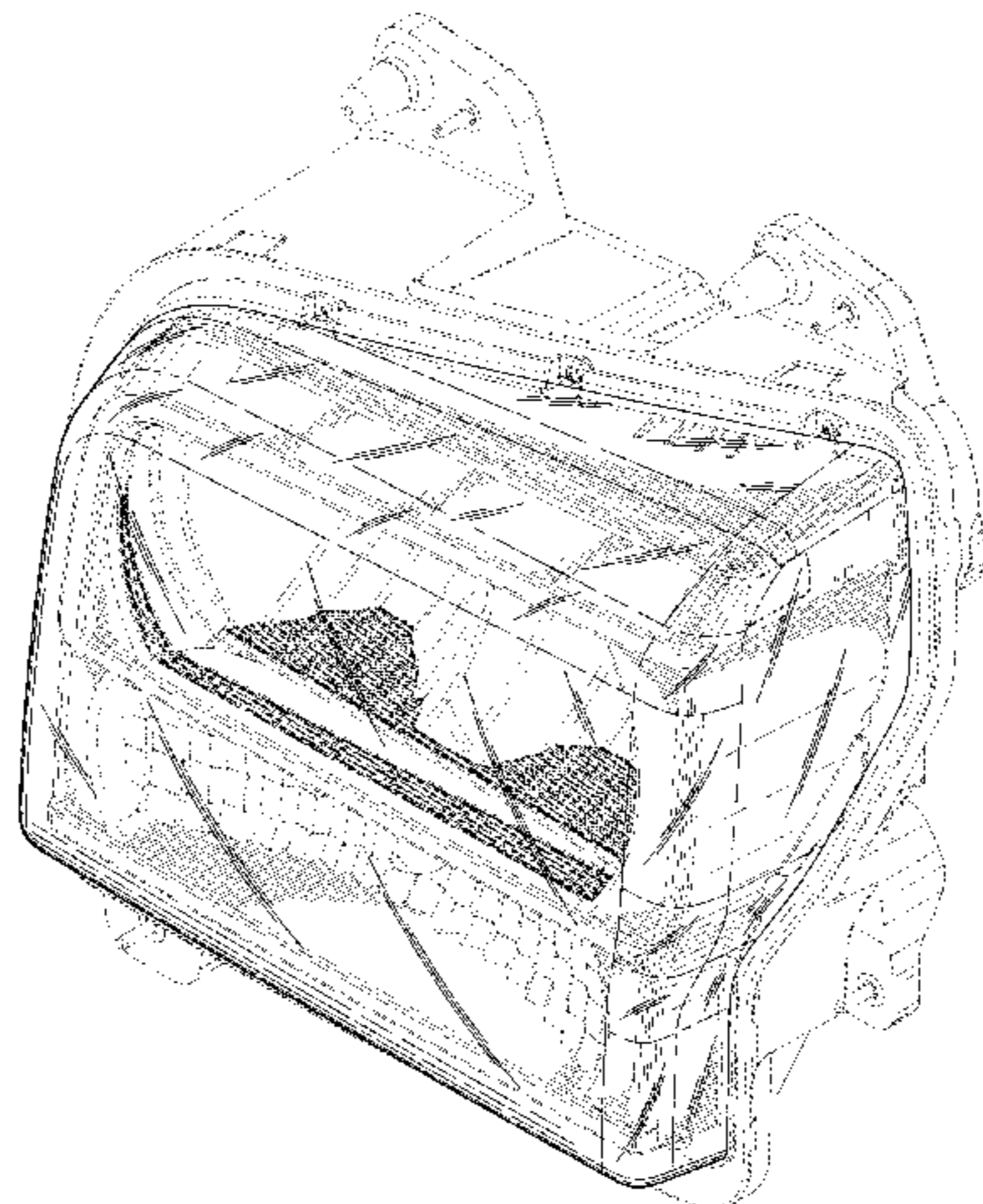
(57) **CLAIM**

The ornamental design for a headlamp assembly, as shown and described.

DESCRIPTION

FIG. 1 is a perspective view of a headlamp assembly showing a first embodiment of our new design;
FIG. 2 is a front view of the headlamp assembly shown in FIG. 1;
FIG. 3 is a top view of the headlamp assembly shown in FIG. 1;
FIG. 4 is a rear view of the headlamp assembly shown in FIG. 1;
FIG. 5 is a left side view of the headlamp assembly shown in FIG. 1; and
FIG. 6 is a right side view of the headlamp assembly shown in FIG. 1;
FIG. 7 is a perspective view of a headlamp assembly showing a second embodiment of our new design;
FIG. 8 is a front view of the headlamp assembly shown in FIG. 7;
FIG. 9 is a top view of the headlamp assembly shown in FIG. 7;
FIG. 10 is a rear view of the headlamp assembly shown in FIG. 7;
FIG. 11 is a left side view of the headlamp assembly shown in FIG. 7; and,
FIG. 12 is a right side view of the headlamp assembly shown in FIG. 7.
FIGS. 1-12 illustrate a first and a second embodiment of our novel design suitable for use on one side (e.g., left side) of a vehicle. Our novel design also includes a third and a fourth embodiment suitable for use on the other side (e.g., right side) of a vehicle, which is mirror symmetrical to FIGS. 1-12 and therefore not separately illustrated.
The broken lines shown in the figures represent portions of the headlamp assembly that form no part of the claimed design.

1 Claim, 10 Drawing Sheets



Related U.S. Application Data

application No. 29/599,070, filed on Mar. 30, 2017, now Pat. No. Des. 820,510, and a continuation-in-part of application No. 29/598,932, filed on Mar. 29, 2017, now Pat. No. Des. 821,026.

(58) **Field of Classification Search**

CPC F21S 48/00; F21S 48/10; F21S 48/115;
F21S 48/225; F21S 48/1233; F21S
48/1266; F21S 48/1388; F21S 48/2268;
F21V 21/04; B60Q 9/13; B60Q 9/135;
B60Q 9/1375

See application file for complete search history.

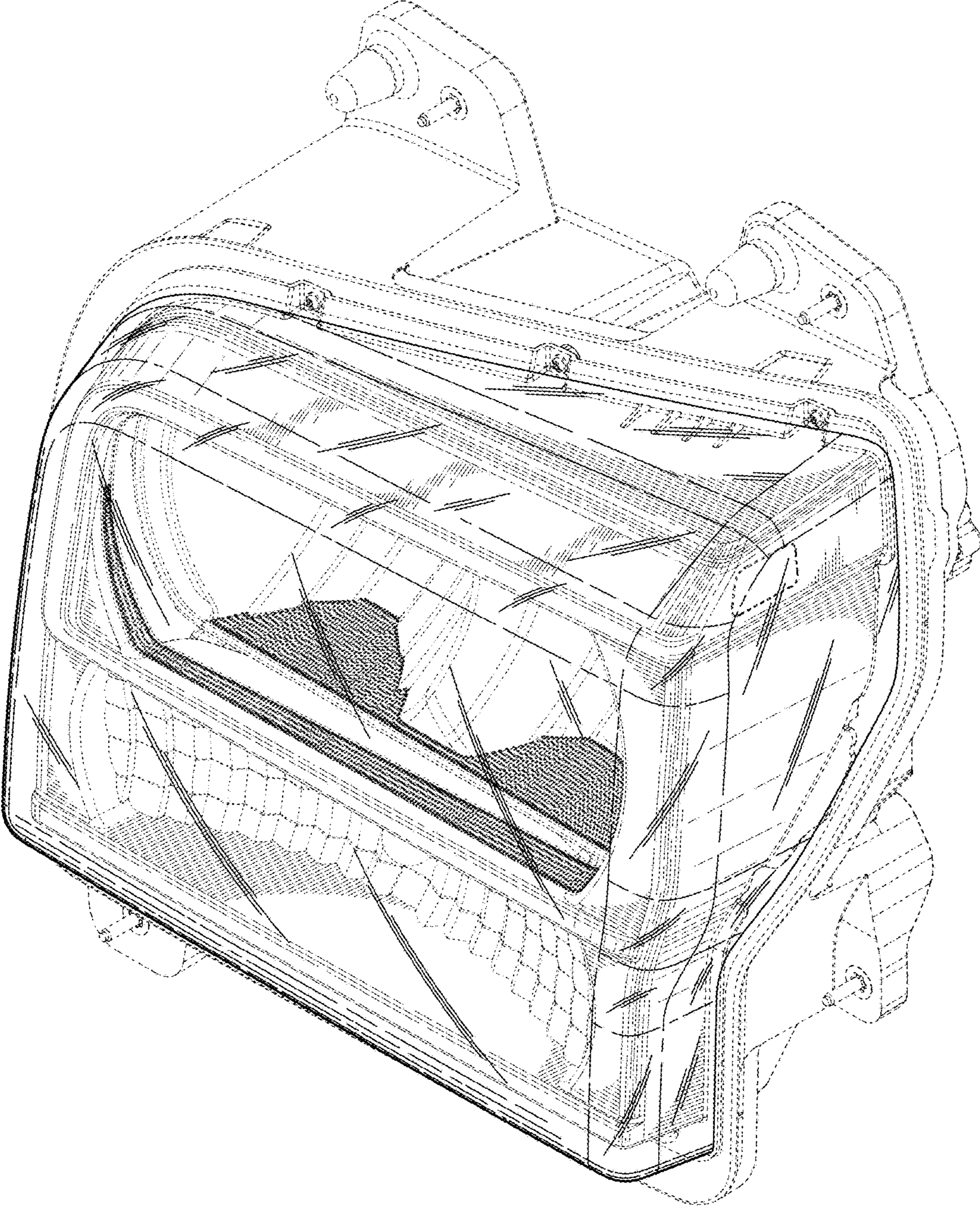


Fig. 1.

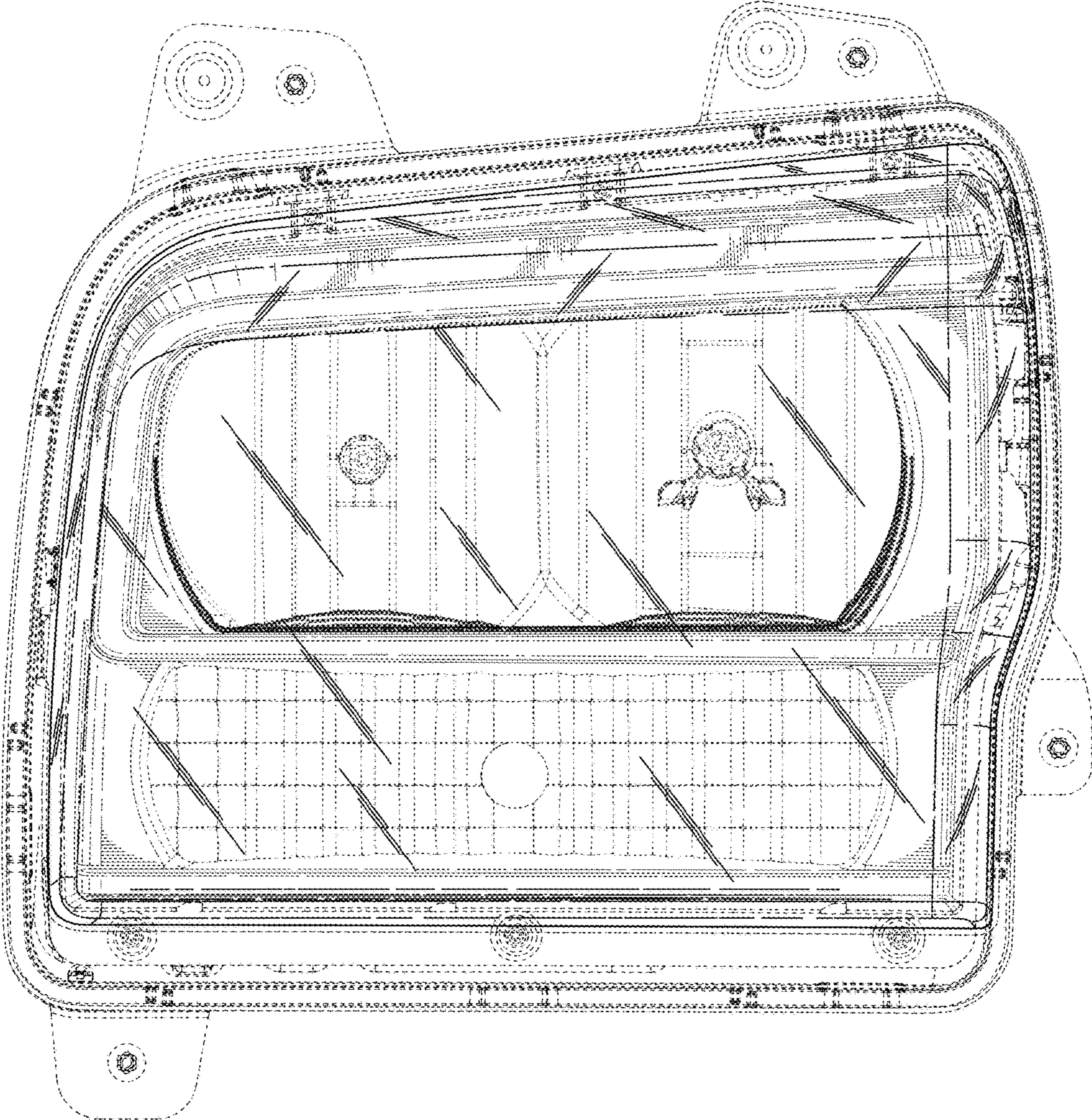


Fig. 2.

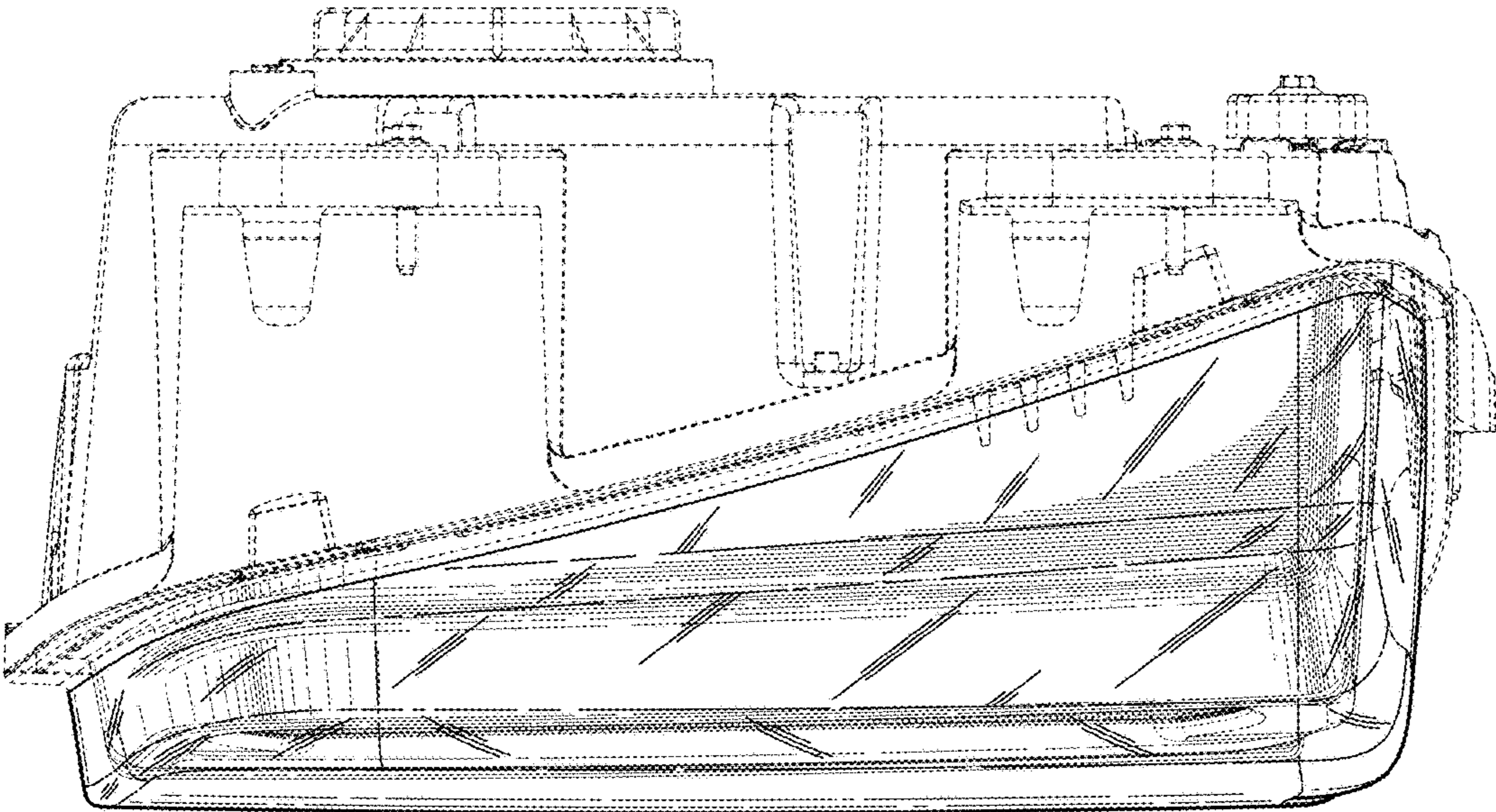


Fig. 3.

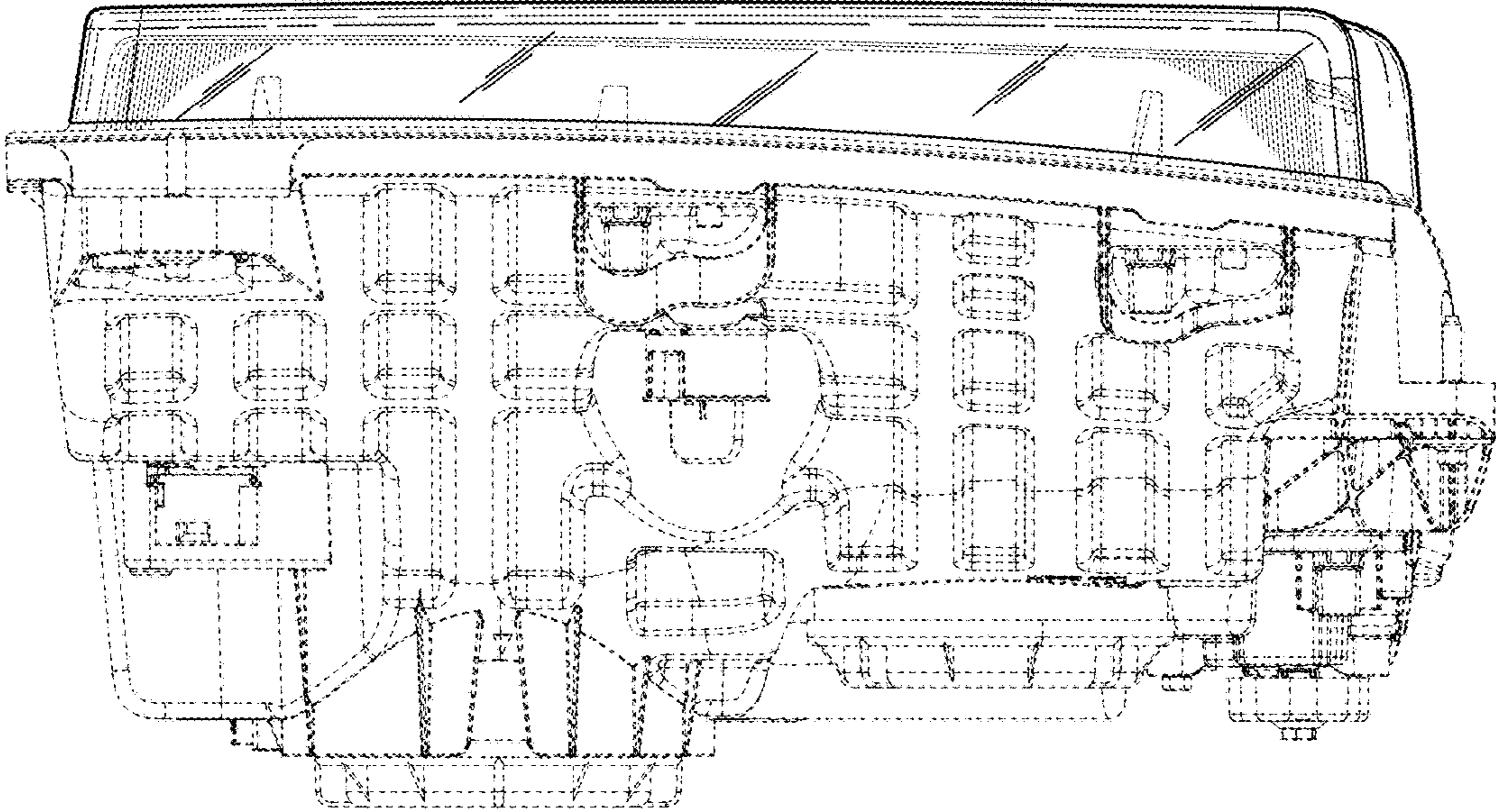


Fig. 4.

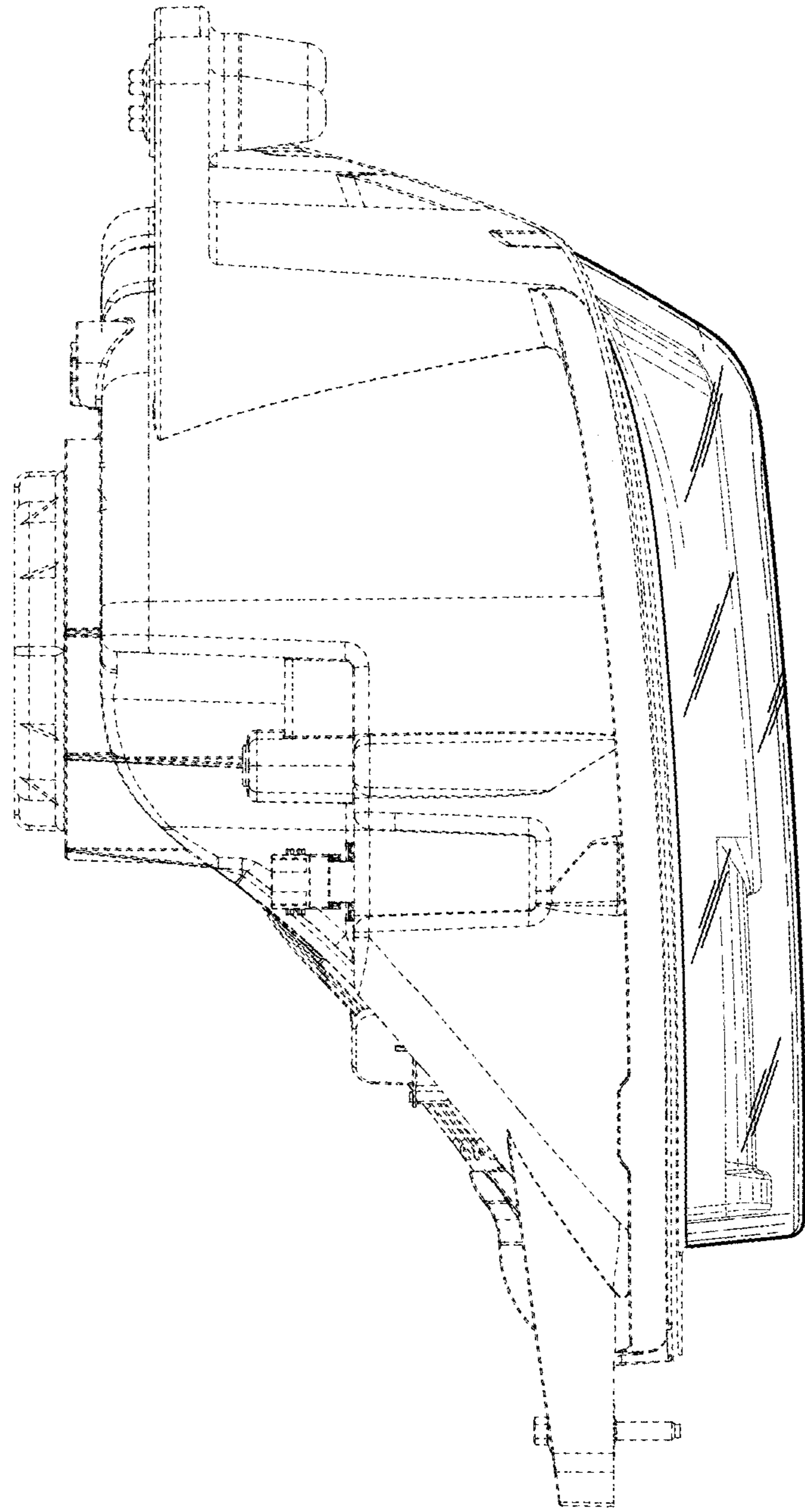


Fig. 5.

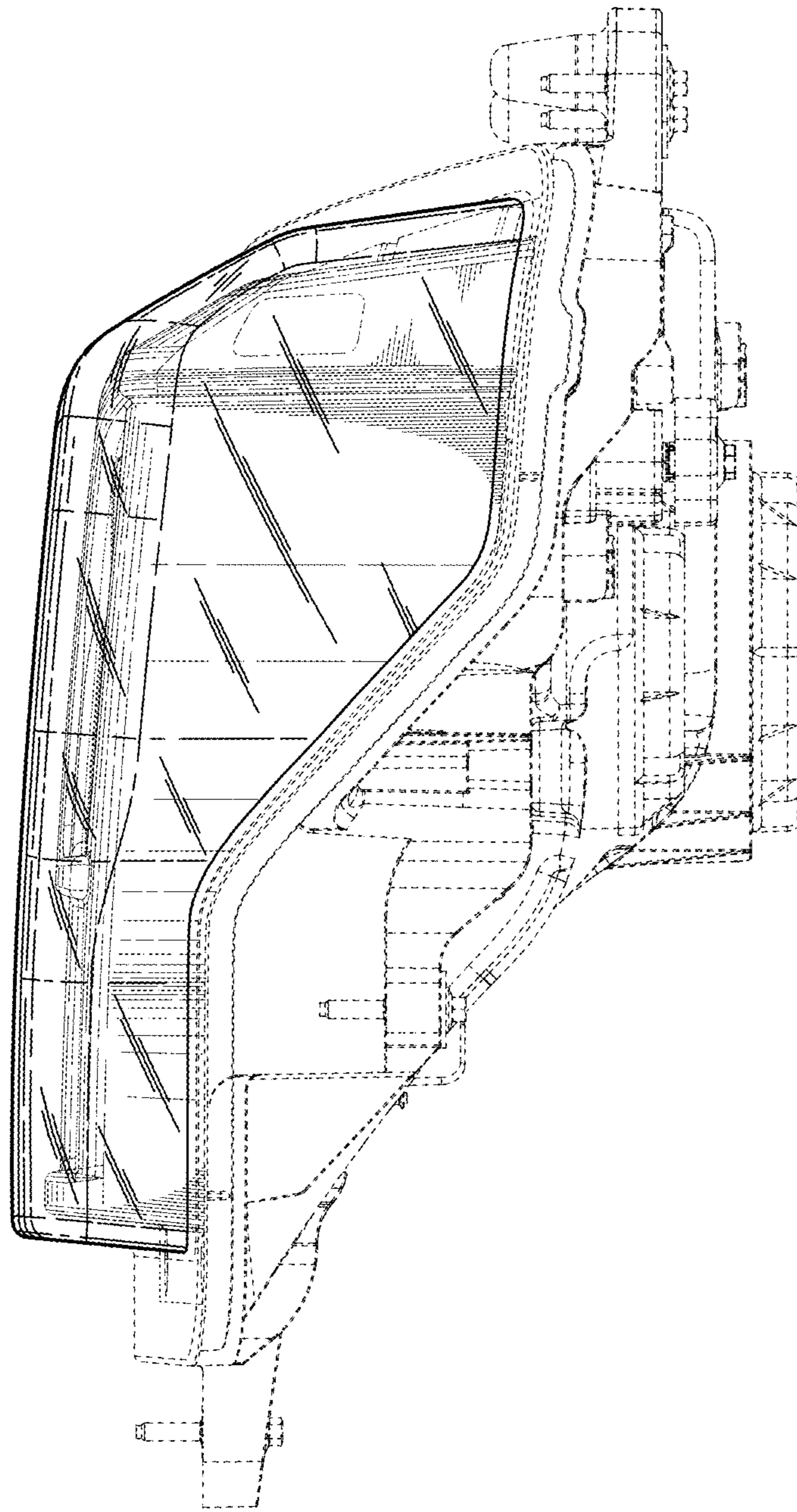


Fig. 6.

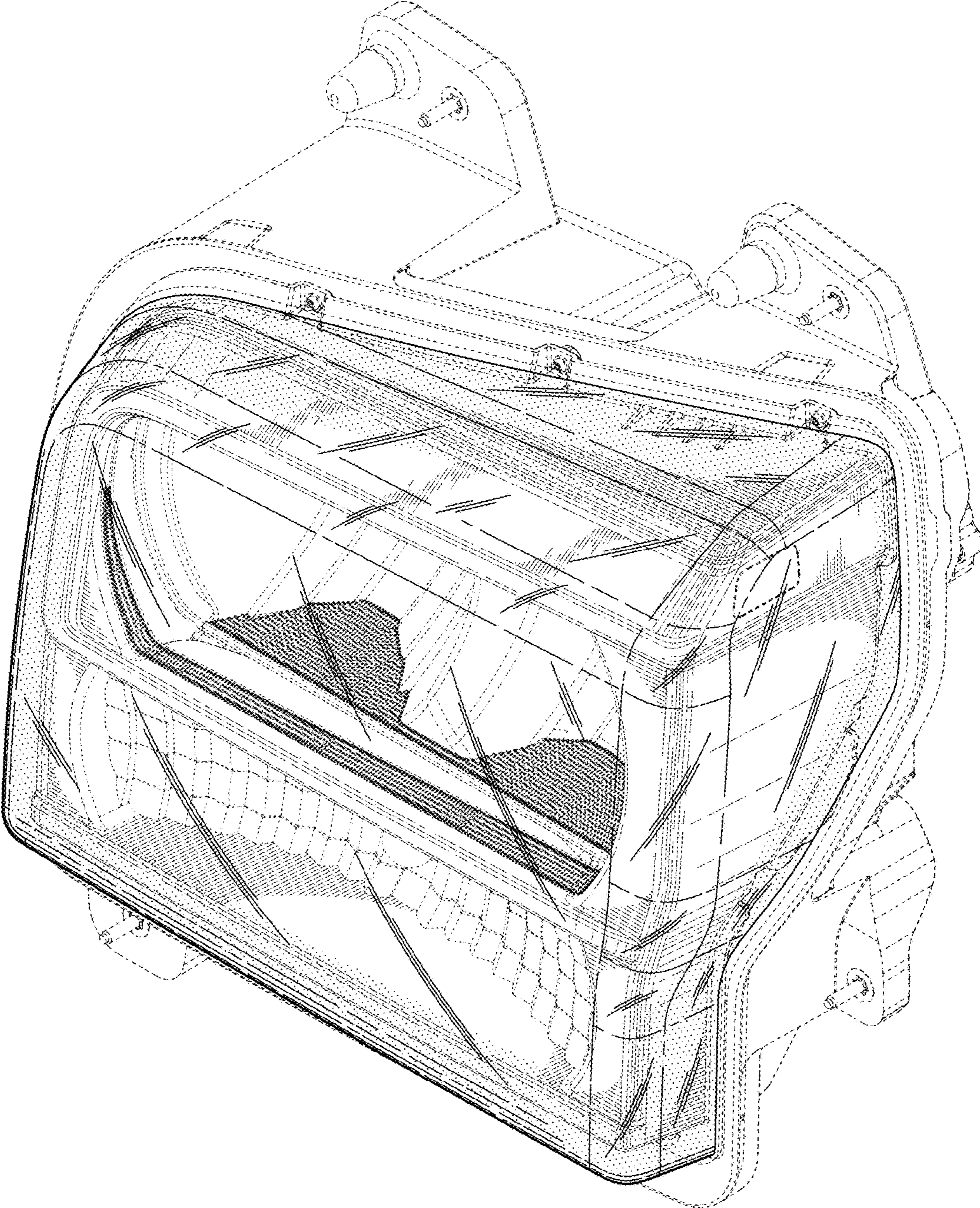


Fig. 7.

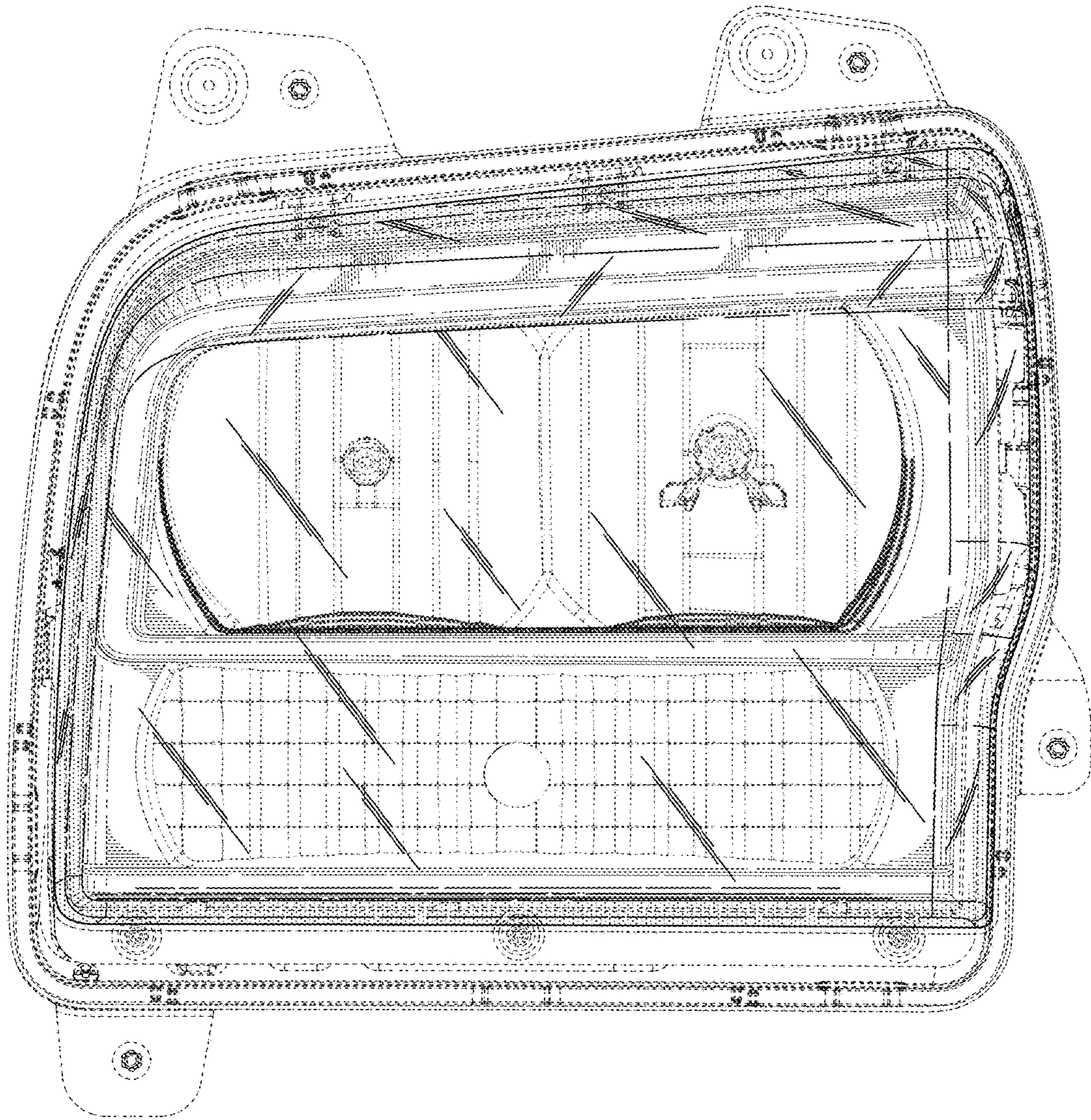


Fig. 8.

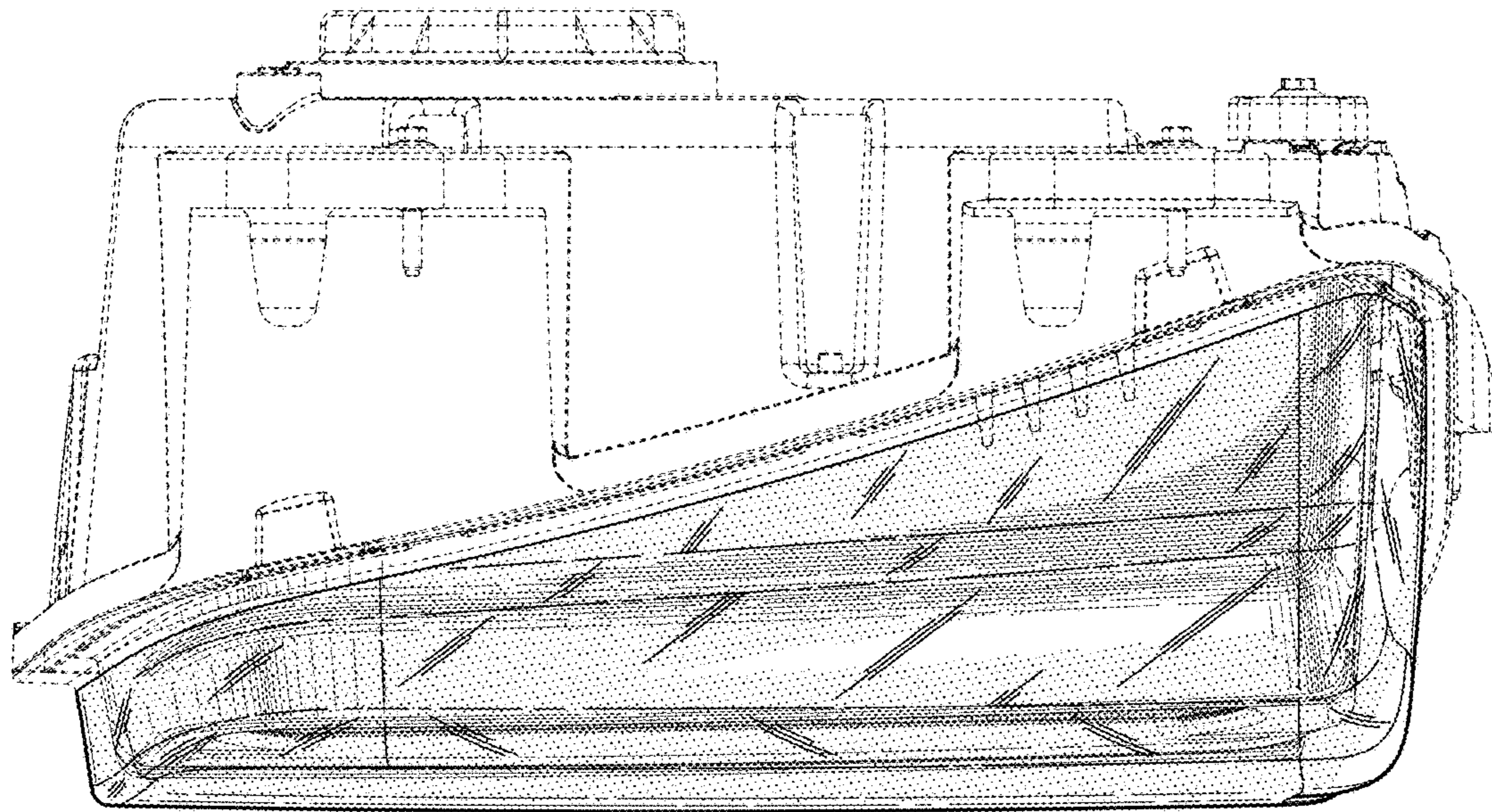


Fig. 9.

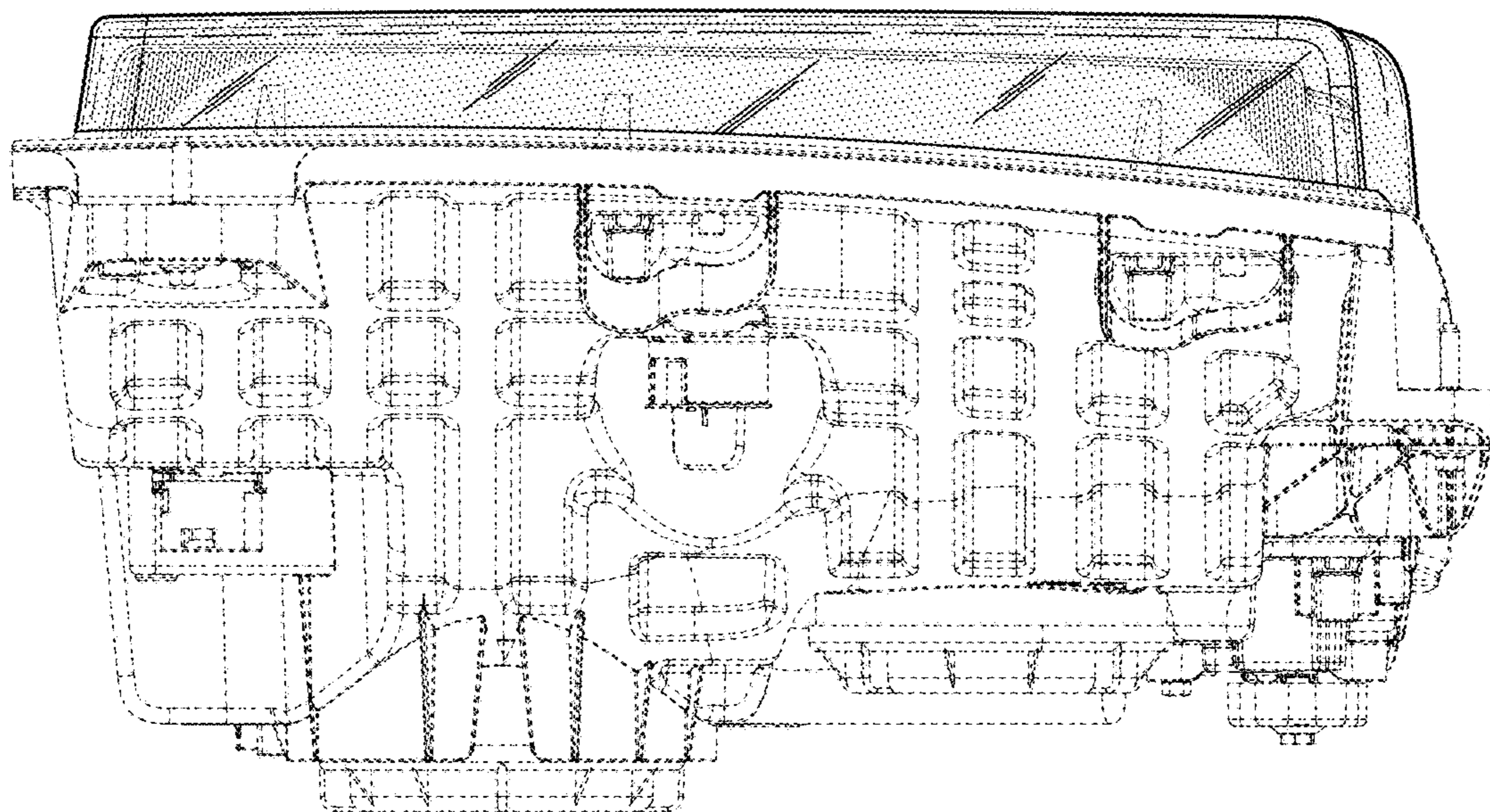


Fig. 10.

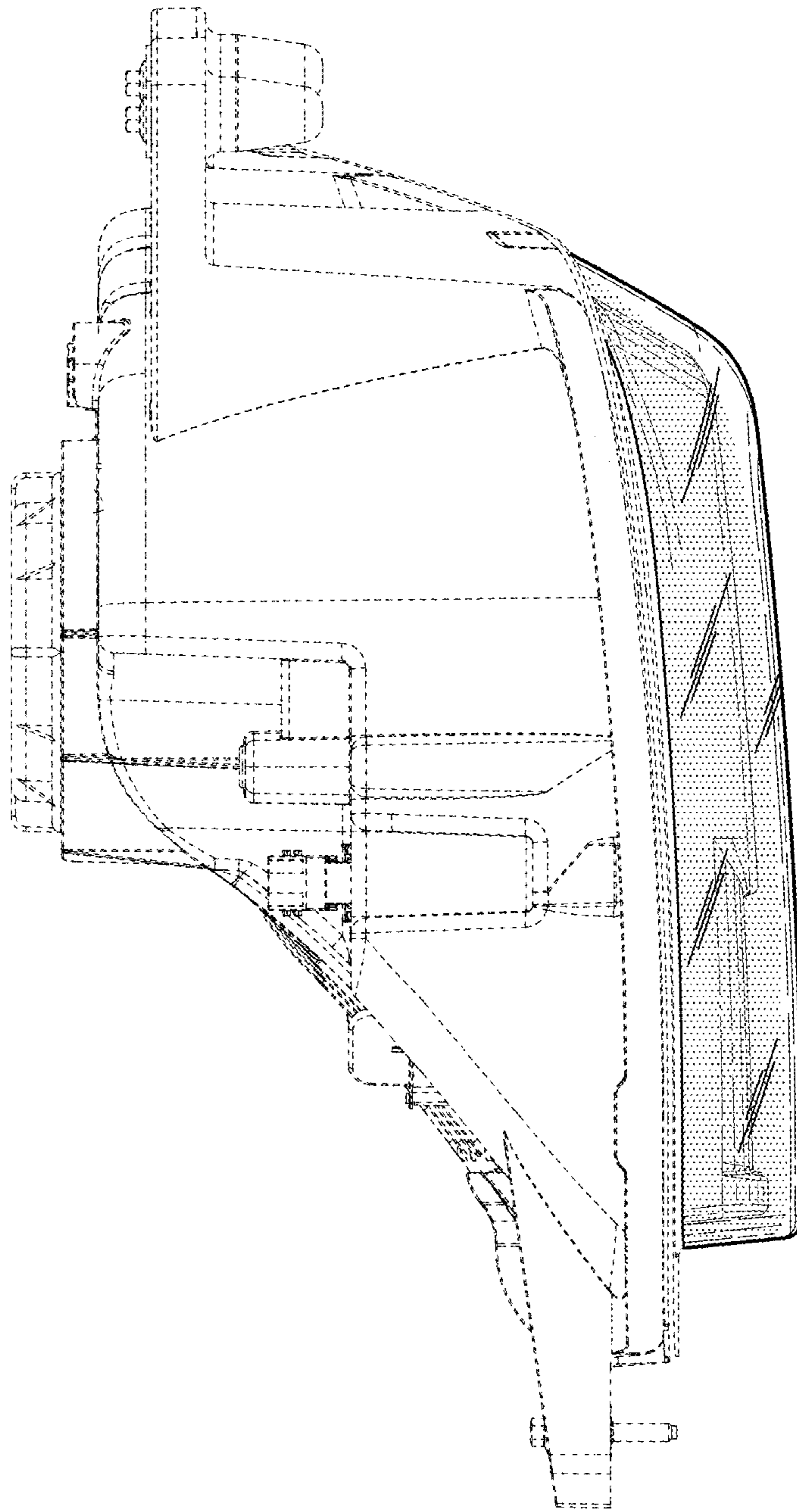


Fig. 11.

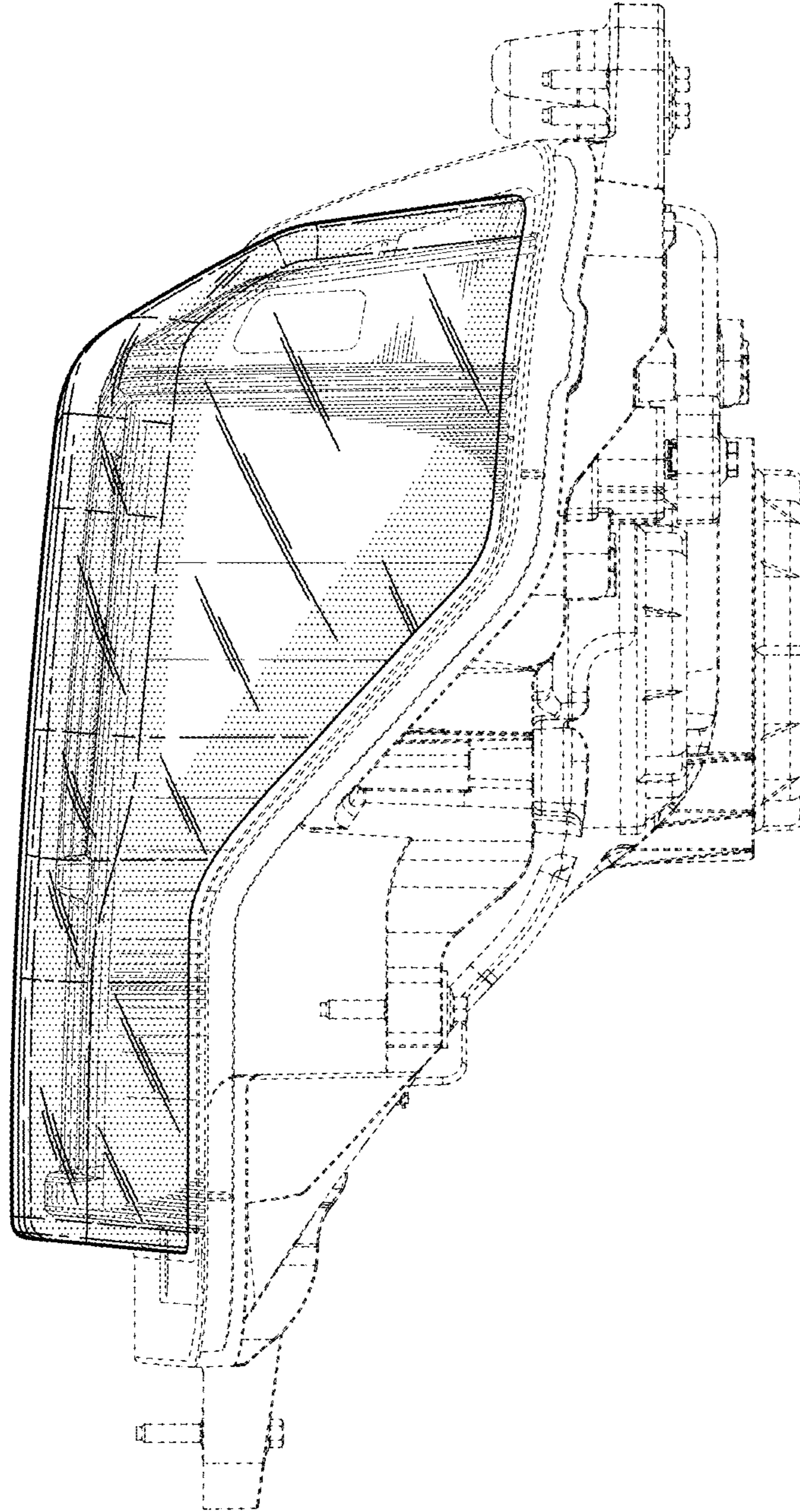


Fig. 12.