

US00D848038S

(12) **United States Design Patent**
Versari

(10) **Patent No.:** **US D848,038 S**

(45) **Date of Patent:** **** May 7, 2019**

(54) **MODULAR LAMP**

(71) Applicant: **C-LED SRL**, Imola (BO) (IT)

(72) Inventor: **Paolo Versari**, Imola (IT)

(**) Term: **15 Years**

(21) Appl. No.: **29/625,280**

(22) Filed: **Nov. 8, 2017**

(30) **Foreign Application Priority Data**

May 8, 2017 (EM) 003990076

(51) **LOC (11) Cl.** **26-04**

(52) **U.S. Cl.**
USPC **D26/3**

(58) **Field of Classification Search**
USPC D26/1-4
CPC H01R 5/00; H01R 13/46; H01R 13/514;
H01R 31/048; H01R 31/02; H01J 5/00;
H01J 5/16; H01J 1/02; H01J 15/00; H01J
5/48; H01J 5/50; H01J 19/54; F21V 5/00;
F21V 13/00; F21V 29/004
See application file for complete search history.

(56) **References Cited**

U.S. PATENT DOCUMENTS

D477,093 S * 7/2003 Moriyama D26/3
D584,429 S * 1/2009 Pei D26/3

D594,999 S * 6/2009 Uchida D26/3
D610,724 S * 2/2010 Chiang D26/3
D652,968 S * 1/2012 Aguiar D26/3
D662,236 S * 6/2012 Matsushita D26/3

* cited by examiner

Primary Examiner — Marcus A Jackson

(74) *Attorney, Agent, or Firm* — Themis Law

(57) **CLAIM**

The ornamental design for a modular lamp, as shown and described.

DESCRIPTION

FIG. 1 is a top perspective view of a modular lamp showing my new design;

FIG. 2 is a bottom perspective view thereof;

FIG. 3 is a front elevational view thereof;

FIG. 4 is a rear elevational view thereof;

FIG. 5 is a right side elevational view thereof;

FIG. 6 is a second right side elevational view thereof, in which the central portion is shown as broken;

FIG. 7 is a left side elevational view thereof, in which the central portion is shown as broken;

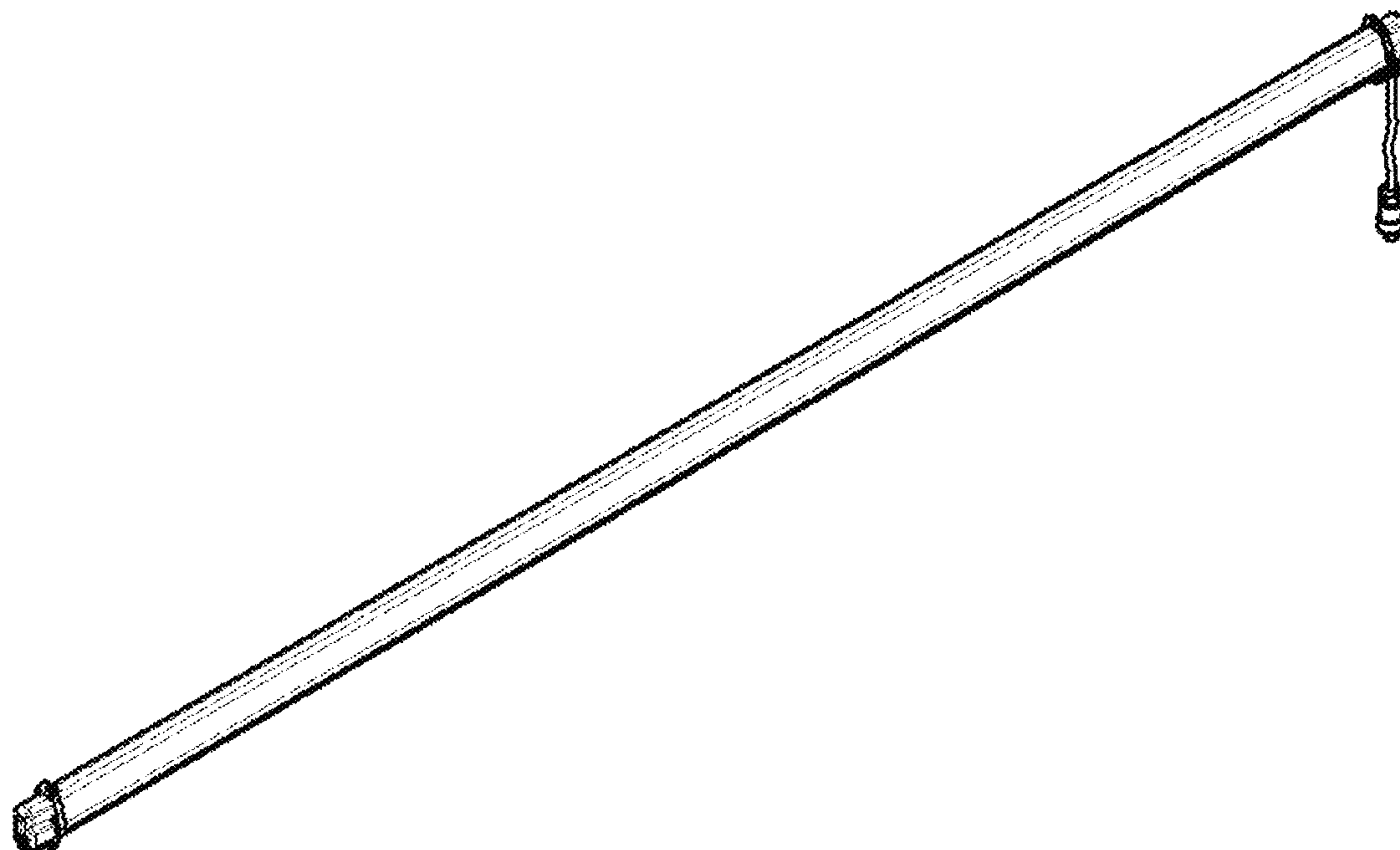
FIG. 8 is a top plan view thereof;

FIG. 9 is a bottom plan view thereof; and,

FIG. 10 is a perspective view showing two modular lamps according to my new design coupled to one another.

The portions in broken lines illustrate an environment of use and form no part of the claimed design.

1 Claim, 10 Drawing Sheets



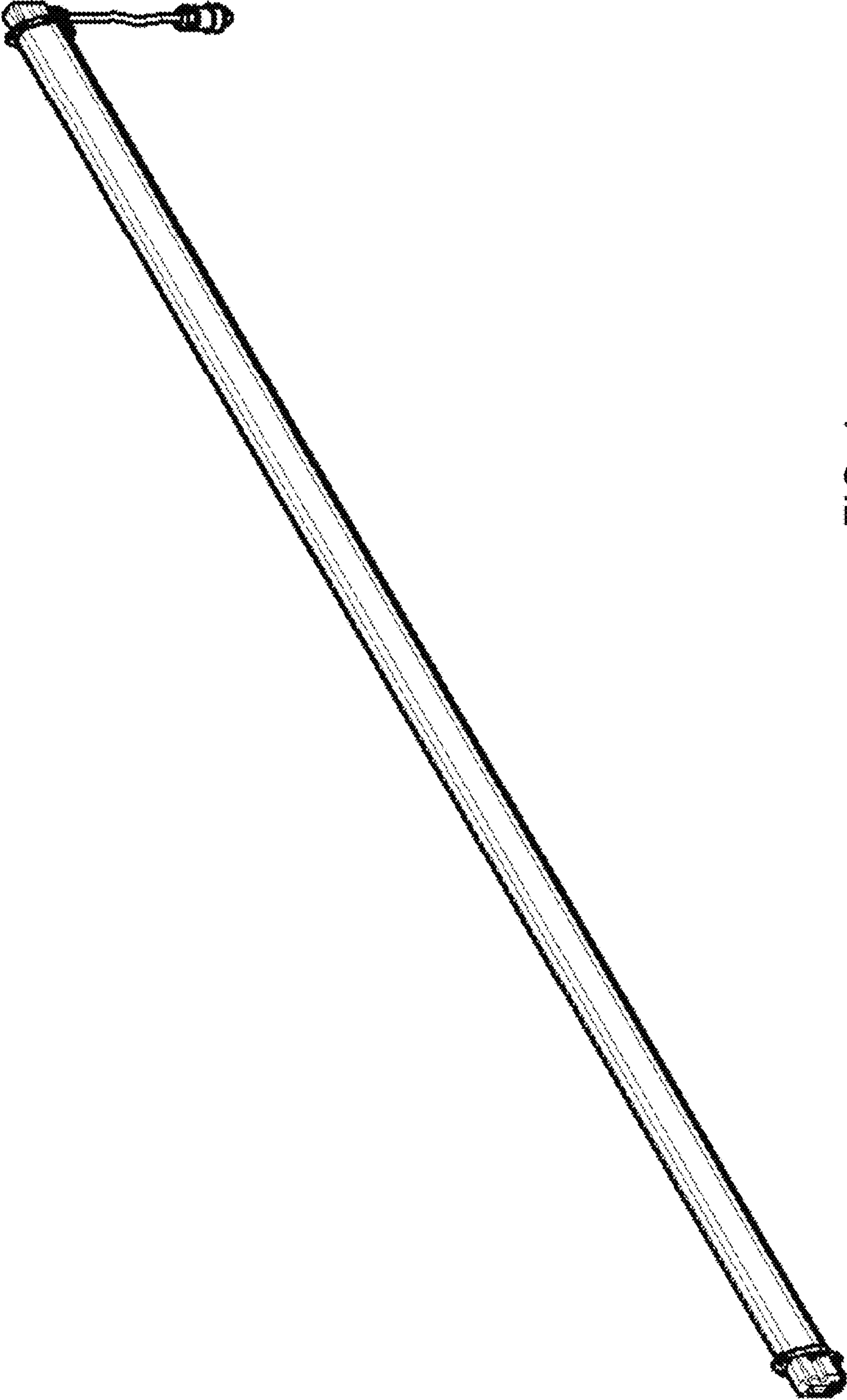


FIG. 1

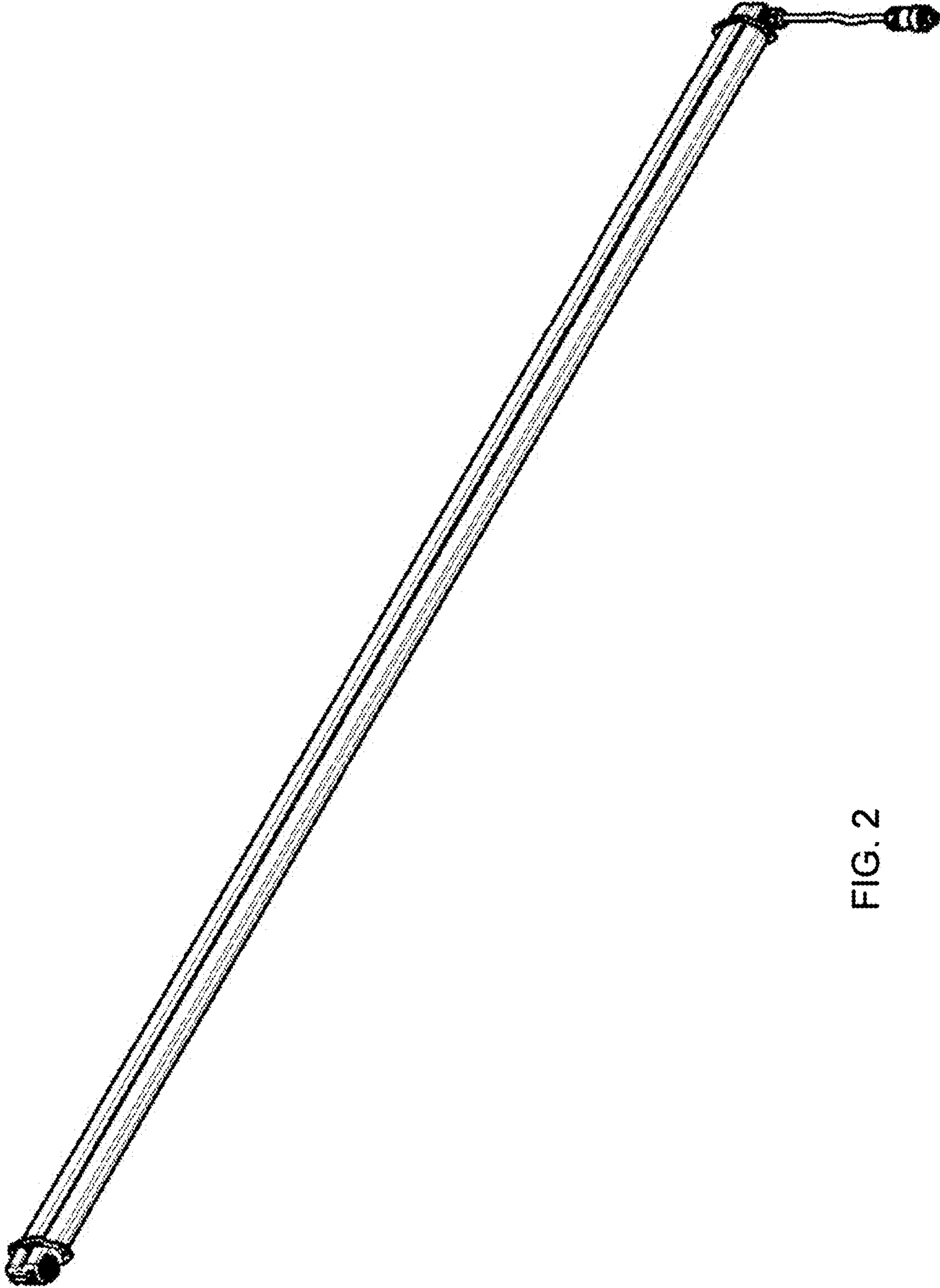


FIG. 2

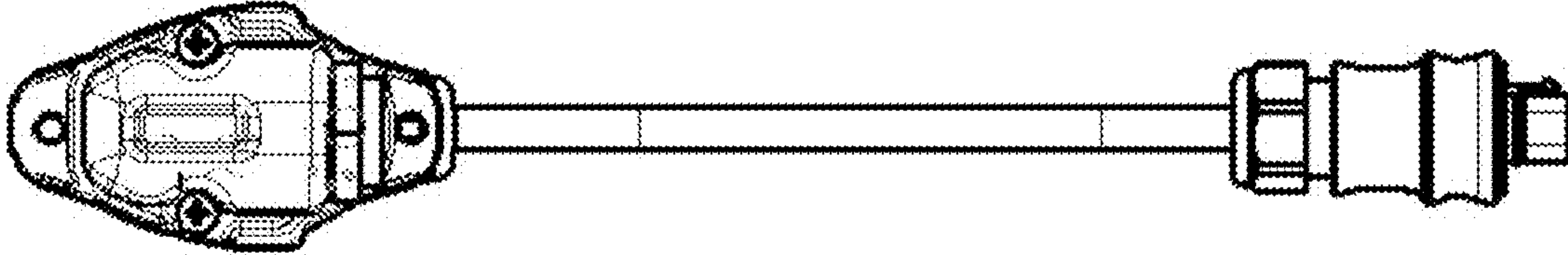


FIG. 3

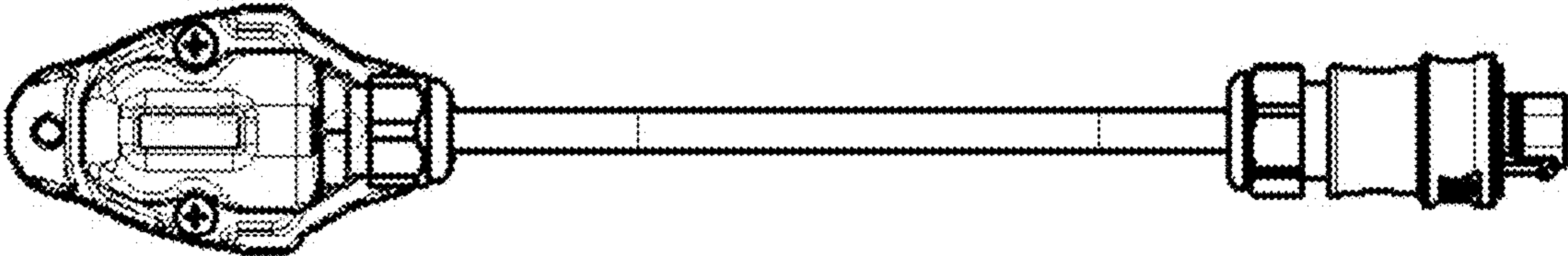


FIG. 4

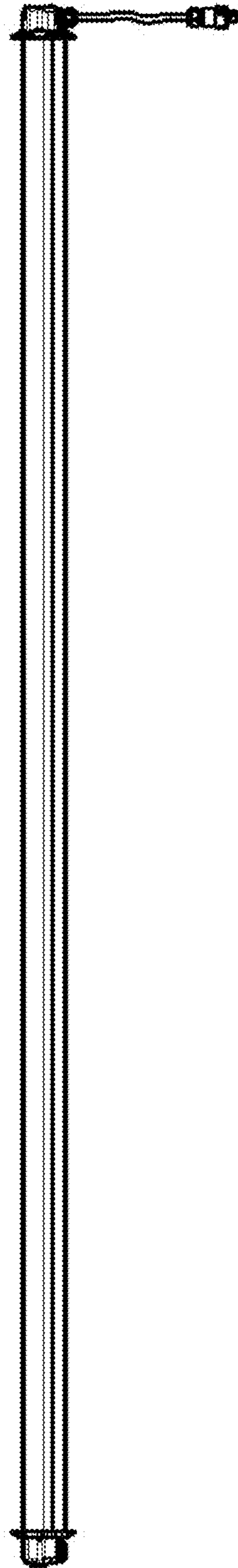


FIG. 5

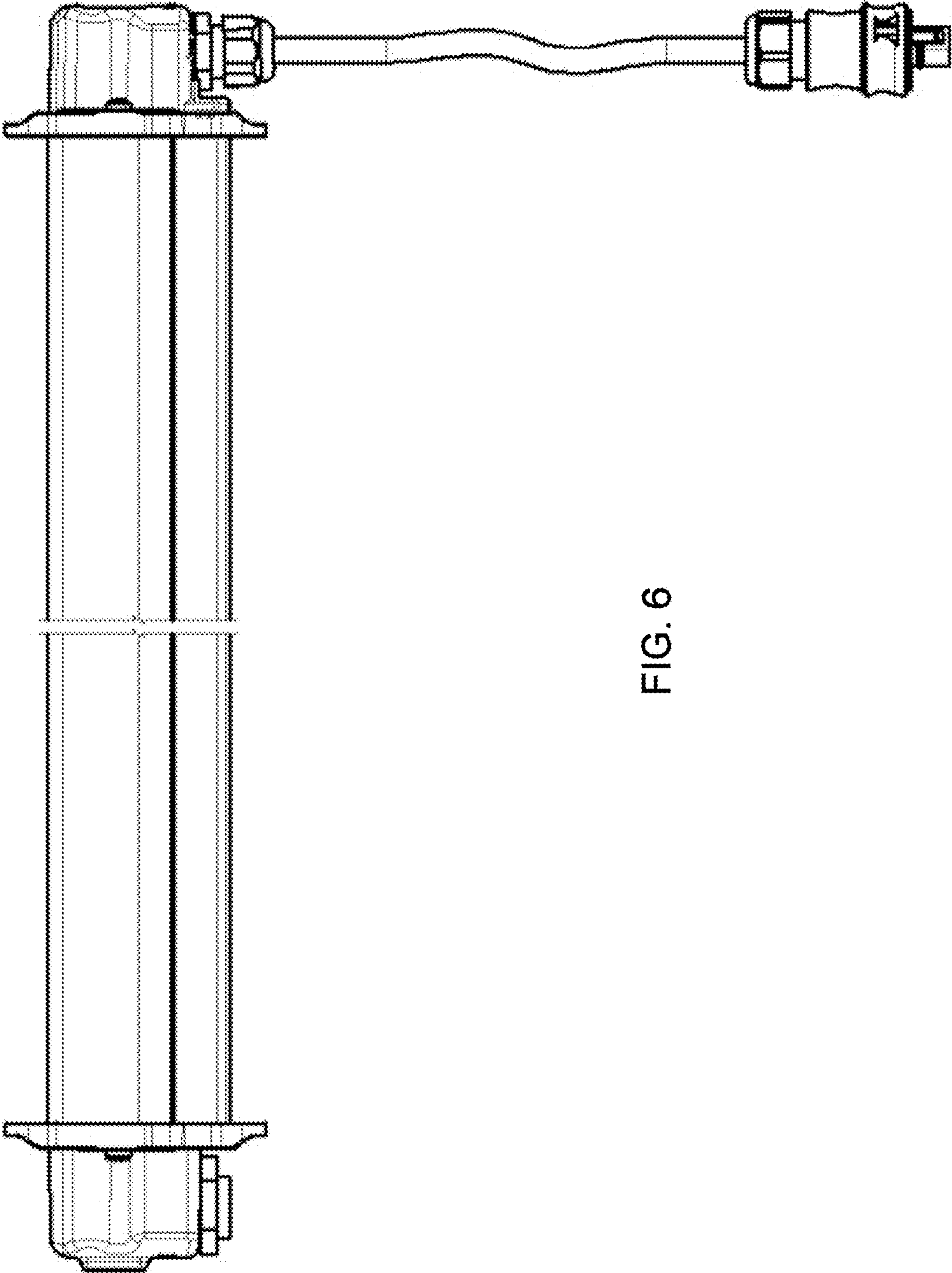


FIG. 6

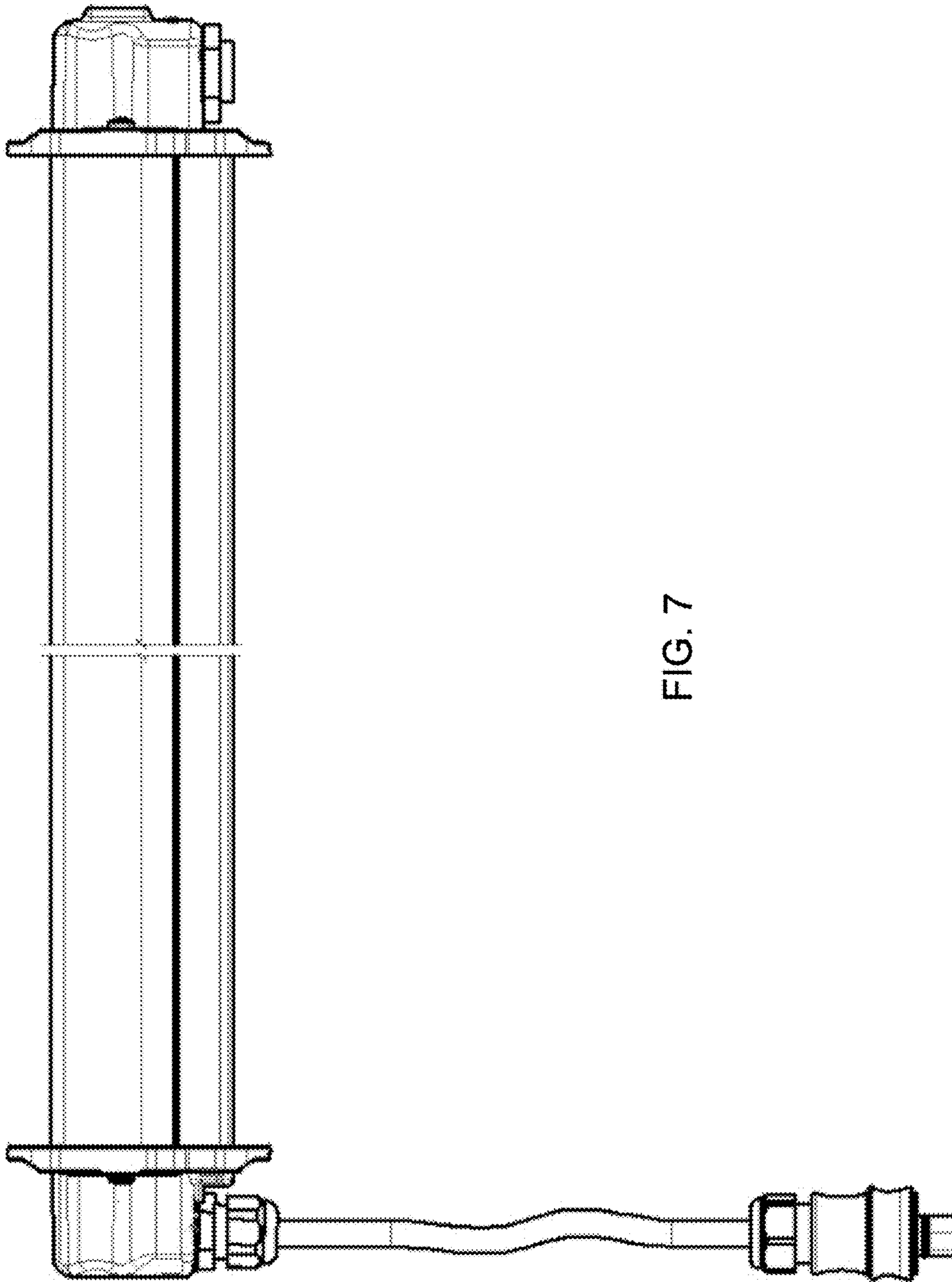


FIG. 7

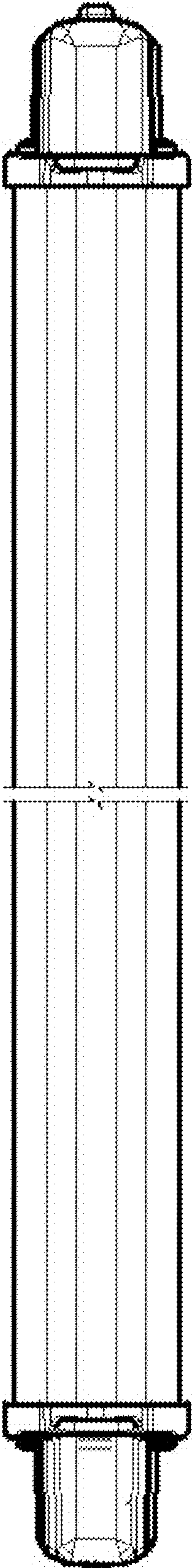


FIG. 8

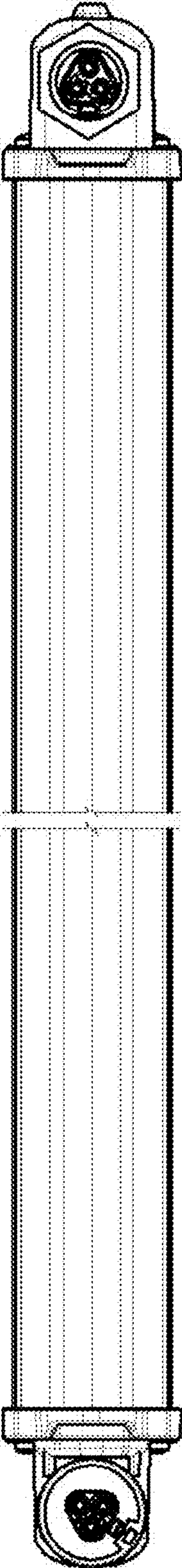


FIG. 9

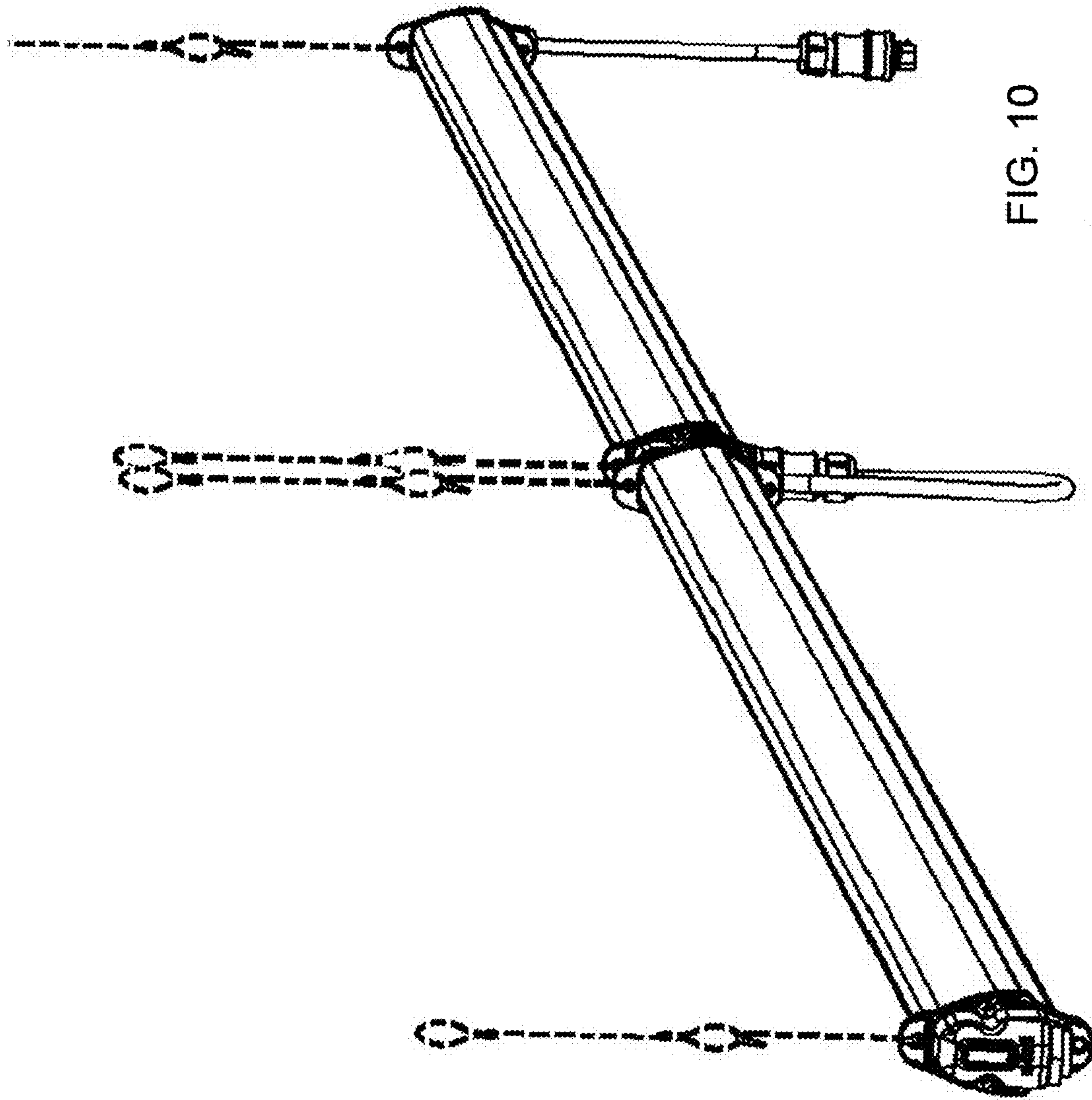


FIG. 10