



US00D848037S

(12) **United States Design Patent**
Rioux et al.

(10) **Patent No.:** **US D848,037 S**

(45) **Date of Patent:** **** May 7, 2019**

(54) **LAMP TUBE**

D594,999 S * 6/2009 Uchida D26/3
D621,975 S * 8/2010 Wang D26/3

(71) Applicant: **LEDVANCE LLC**, Wilmington, MA (US)

* cited by examiner

(72) Inventors: **Philip Rioux**, Brentwood, NH (US);
Shiyong Zhang, Boxborough, MA (US)

Primary Examiner — Marcus A Jackson

(**) Term: **15 Years**

(57) **CLAIM**

(21) Appl. No.: **29/621,615**

The ornamental design for a lamp tube, as shown and described.

(22) Filed: **Oct. 10, 2017**

(51) **LOC (11) Cl.** **26-04**

(52) **U.S. Cl.**
USPC **D26/3**

(58) **Field of Classification Search**
USPC D26/1-4
CPC H01R 5/00; H01R 13/46; H01R 13/514;
H01R 31/048; H01R 31/02; H01J 5/00;
H01J 5/16; H01J 15/00; H01J 5/48; H01J
5/50; F21V 5/00
See application file for complete search history.

DESCRIPTION

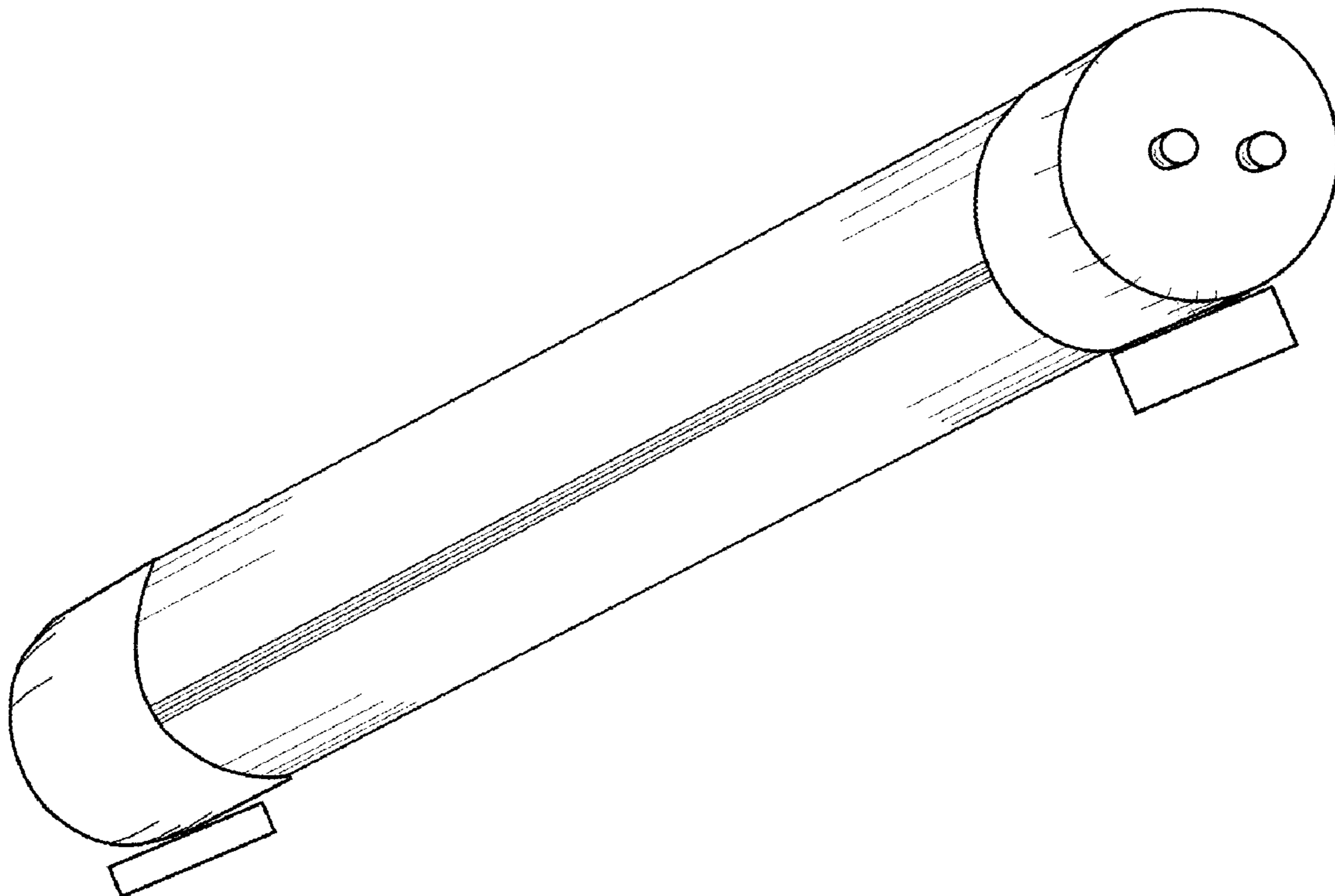
FIG. 1 is a perspective view of the lamp tube of our new design;
FIG. 2 is a bottom elevation view thereof;
FIG. 3 is a top elevation view thereof;
FIG. 4 is a left side elevation view thereof;
FIG. 5 is a right side elevation view thereof;
FIG. 6 is a front elevation view thereof; and,
FIG. 7 is a rear elevation view thereof.

(56) **References Cited**

U.S. PATENT DOCUMENTS

D477,093 S * 7/2003 Moriyama D26/3
D576,749 S * 9/2008 Kitagawa D26/3

1 Claim, 3 Drawing Sheets



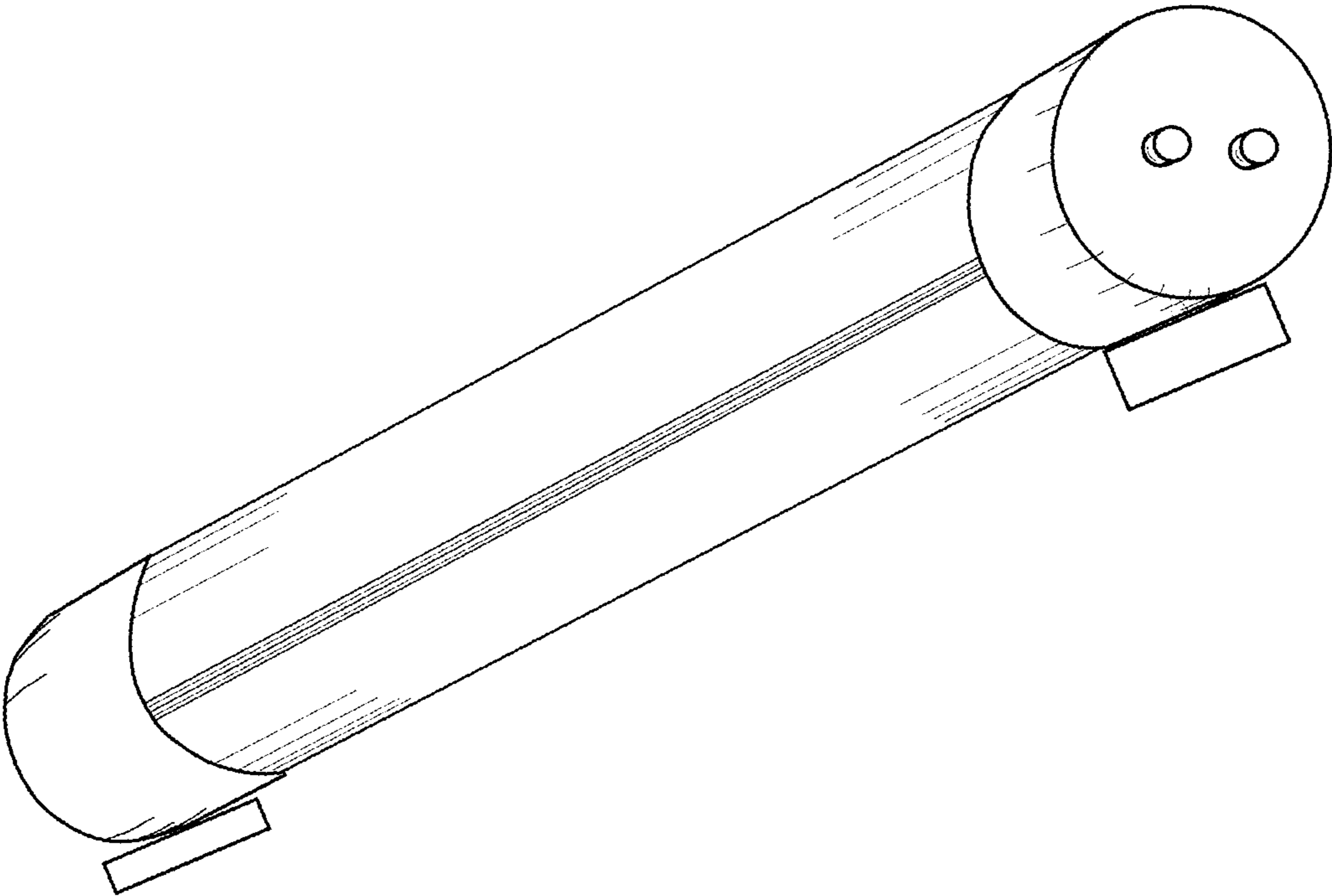


FIG. 1

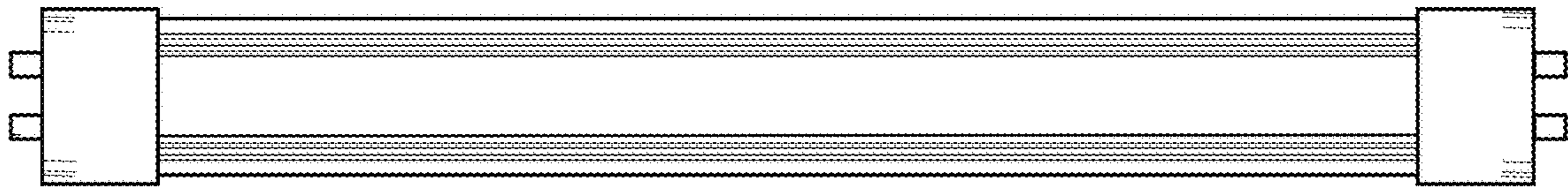


FIG. 2



FIG. 3

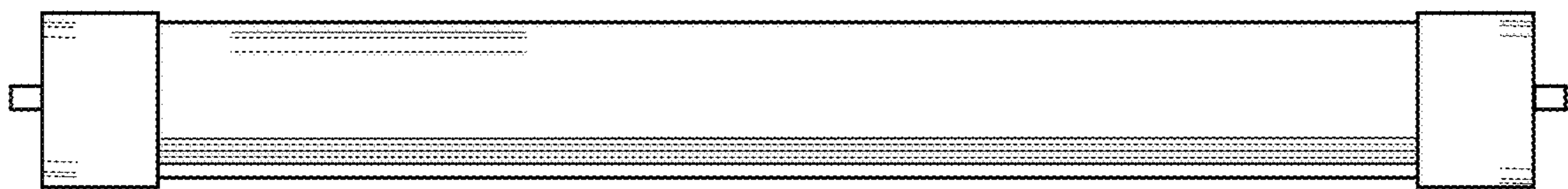


FIG. 4

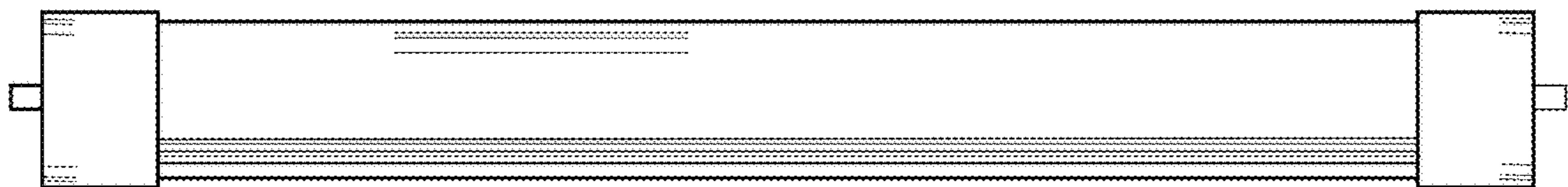


FIG. 5

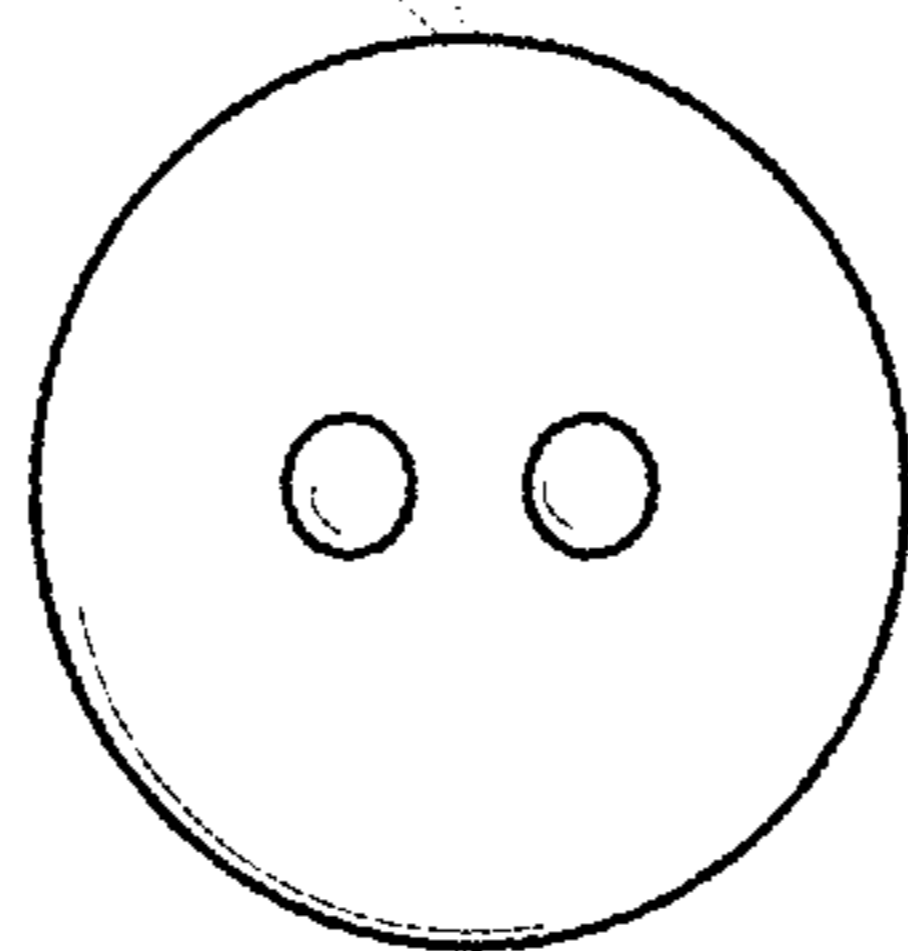


FIG. 6

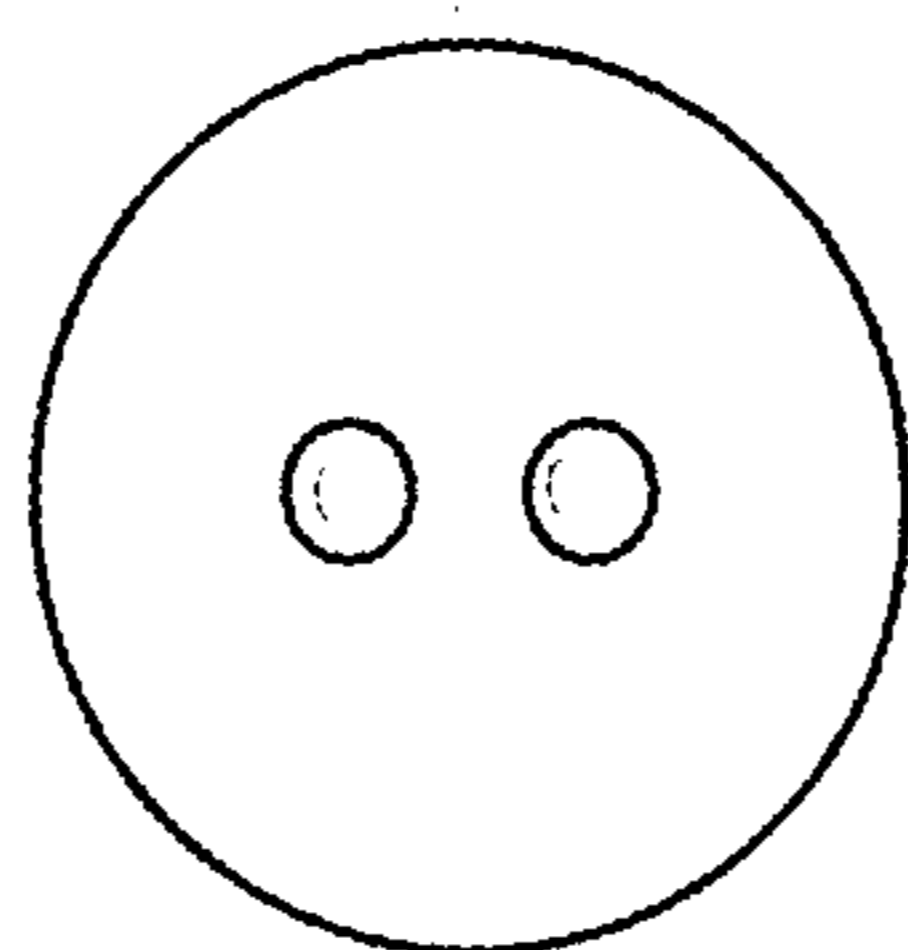


FIG. 7