



US00D848032S

(12) **United States Design Patent**  
**Raab**

(10) **Patent No.:** **US D848,032 S**

(45) **Date of Patent:** **\*\* May 7, 2019**

- (54) **STRUCTURAL PANEL CORE**
- (71) Applicant: **The Pro Design Group, Inc.**, Gardena, CA (US)
- (72) Inventor: **Christopher A. Raab**, Sunset Beach, CA (US)
- (73) Assignee: **The Pro Dsign Group, Inc.**, Gardena, CA (US)

(\*\*) Term: **15 Years**

(21) Appl. No.: **29/616,437**

(22) Filed: **Sep. 6, 2017**

(51) **LOC (11) Cl.** ..... **25-01**

(52) **U.S. Cl.**

USPC ..... **D25/138**

(58) **Field of Classification Search**

USPC ..... D25/138, 139, 140, 141, 142, 143, 144,  
 D25/157, 158, 159, 160, 161, 162, 163;  
 428/119, 120, 147, 158, 159, 163, 166,  
 428/167, 174, 178, 179, 183, 118, 180,  
 428/181, 182, 184, 185; D7/587;  
 D9/424, 430, 456, 502, 750, 751, 757,  
 D9/758

CPC ... E04C 2/20; E04C 2/205; E04C 2/30; E04C  
 2002/3411-2002/3466; E04C 2/296;  
 Y10T 428/24174; Y10T 428/24165; Y10T  
 428/24264; Y10T 428/24702; Y10T  
 428/24711; B32B 3/28; B32B 29/08;  
 B65D 65/403

See application file for complete search history.

(56) **References Cited**

**U.S. PATENT DOCUMENTS**

- 1,000,694 A \* 8/1911 Schaefer et al. .... B65D 85/322  
217/26.5
- 3,011,602 A \* 12/1961 Ensrud ..... E04C 2/32  
244/123.12

- 3,911,187 A \* 10/1975 Raley ..... B29C 51/22  
428/180
- 4,078,548 A \* 3/1978 Kapany ..... F24S 70/25  
126/648
- 4,397,902 A \* 8/1983 Resch ..... B65D 85/32  
428/119
- 5,348,601 A \* 9/1994 Ray ..... B29C 53/22  
156/155
- 5,543,204 A \* 8/1996 Ray ..... B32B 3/28  
428/179
- 7,753,254 B2 \* 7/2010 Straza ..... B23K 1/0008  
228/193
- D668,117 S \* 10/2012 Shimizu ..... D14/441

(Continued)

*Primary Examiner* — Kevin K Rudzinski

*Assistant Examiner* — Kimberly Barnes

(74) *Attorney, Agent, or Firm* — Matthew J. Spark; Stefan J. Kirchanski; Zuber Lawler & Del Duca LLP

(57) **CLAIM**

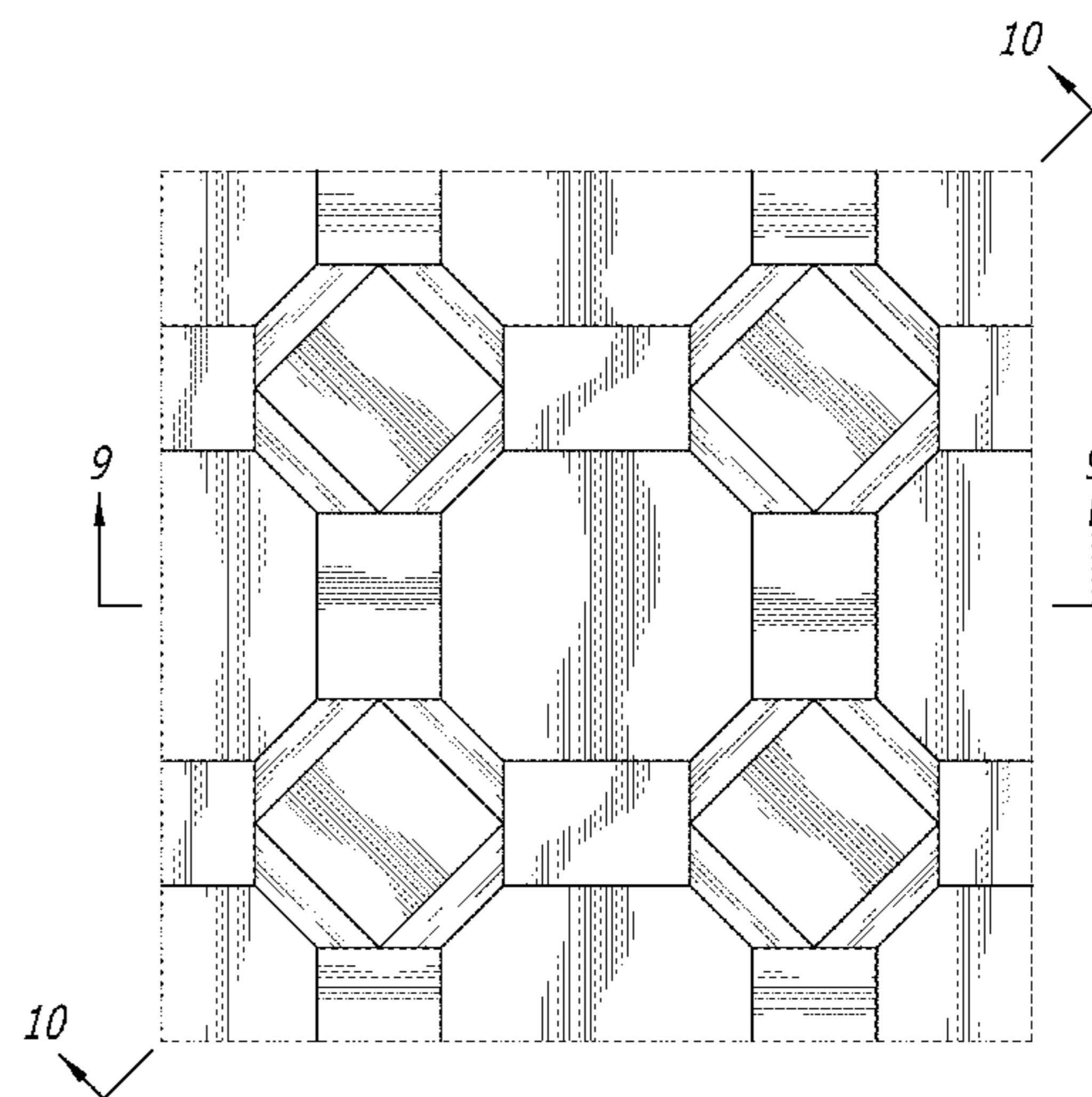
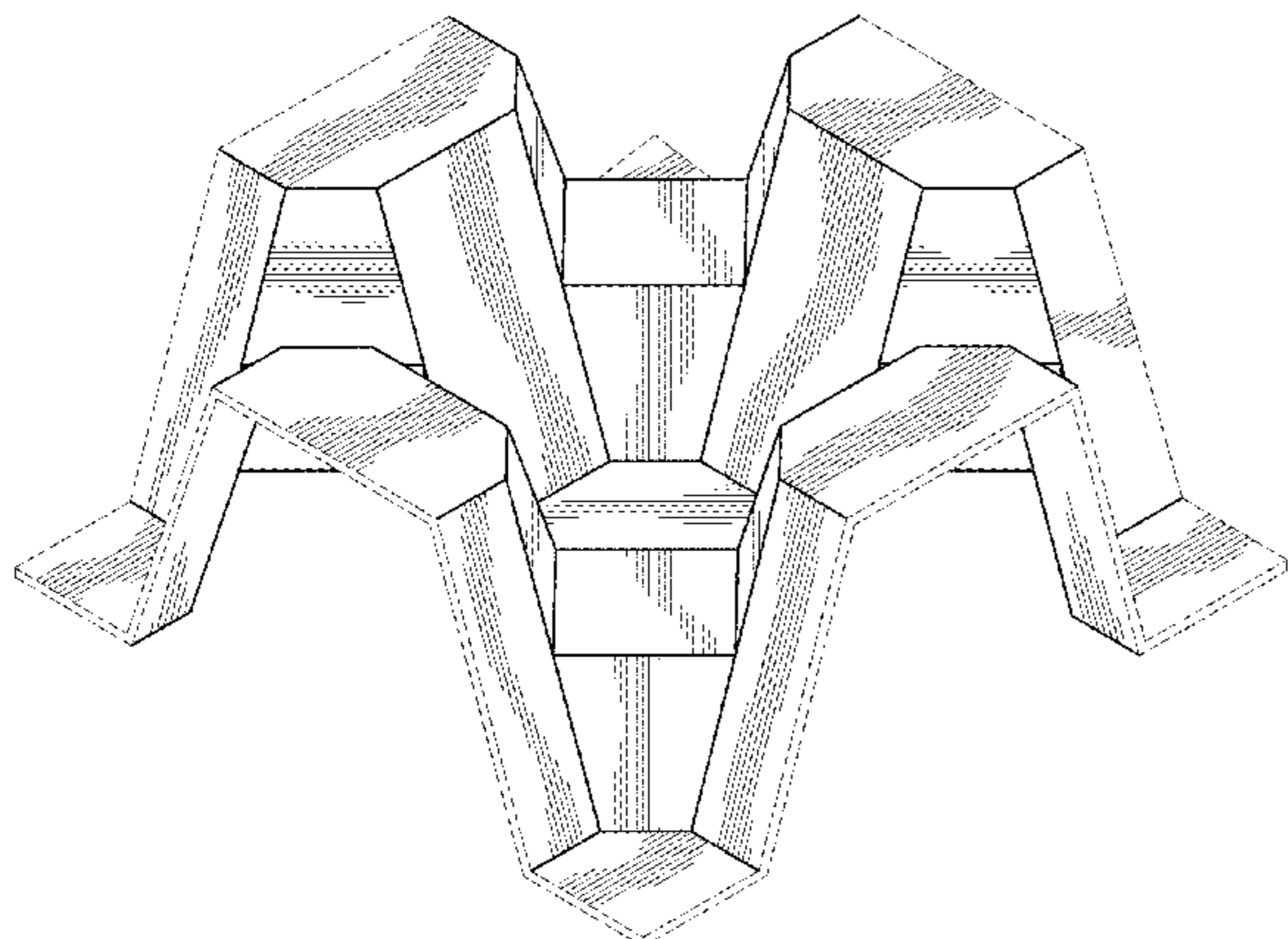
The ornamental design for a structural panel core, as shown and described.

**DESCRIPTION**

FIG. 1 is a top, front, right side perspective view of a structural panel core showing my new design;  
 FIG. 2 is a top, rear, left side perspective view thereof;  
 FIG. 3 is a front elevation view thereof;  
 FIG. 4 is a rear elevation view thereof;  
 FIG. 5 is a left side elevation view thereof;  
 FIG. 6 is a right side elevation view thereof;  
 FIG. 7 is a top plan view thereof;  
 FIG. 8 is a bottom plan view thereof;  
 FIG. 9 is a cross-sectional view taken along line 9-9 of FIG. 7; and,  
 FIG. 10 is a cross-sectional view taken along line 10-10 of FIG. 7.

The broken lines around the perimeters of the drawings depict portions of the structural panel core that form no part of the claimed design.

**1 Claim, 6 Drawing Sheets**



(56)

**References Cited**

U.S. PATENT DOCUMENTS

9,090,288 B2 \* 7/2015 Takahashi ..... B21D 13/10  
2007/0015000 A1 \* 1/2007 Burdon ..... B29D 99/0021  
428/593  
2011/0244213 A1 \* 10/2011 Jones ..... B29C 44/083  
428/304.4  
2017/0284094 A1 \* 10/2017 Kim ..... E04B 1/90  
2019/0017270 A1 \* 1/2019 Raab ..... E04C 2/296

\* cited by examiner

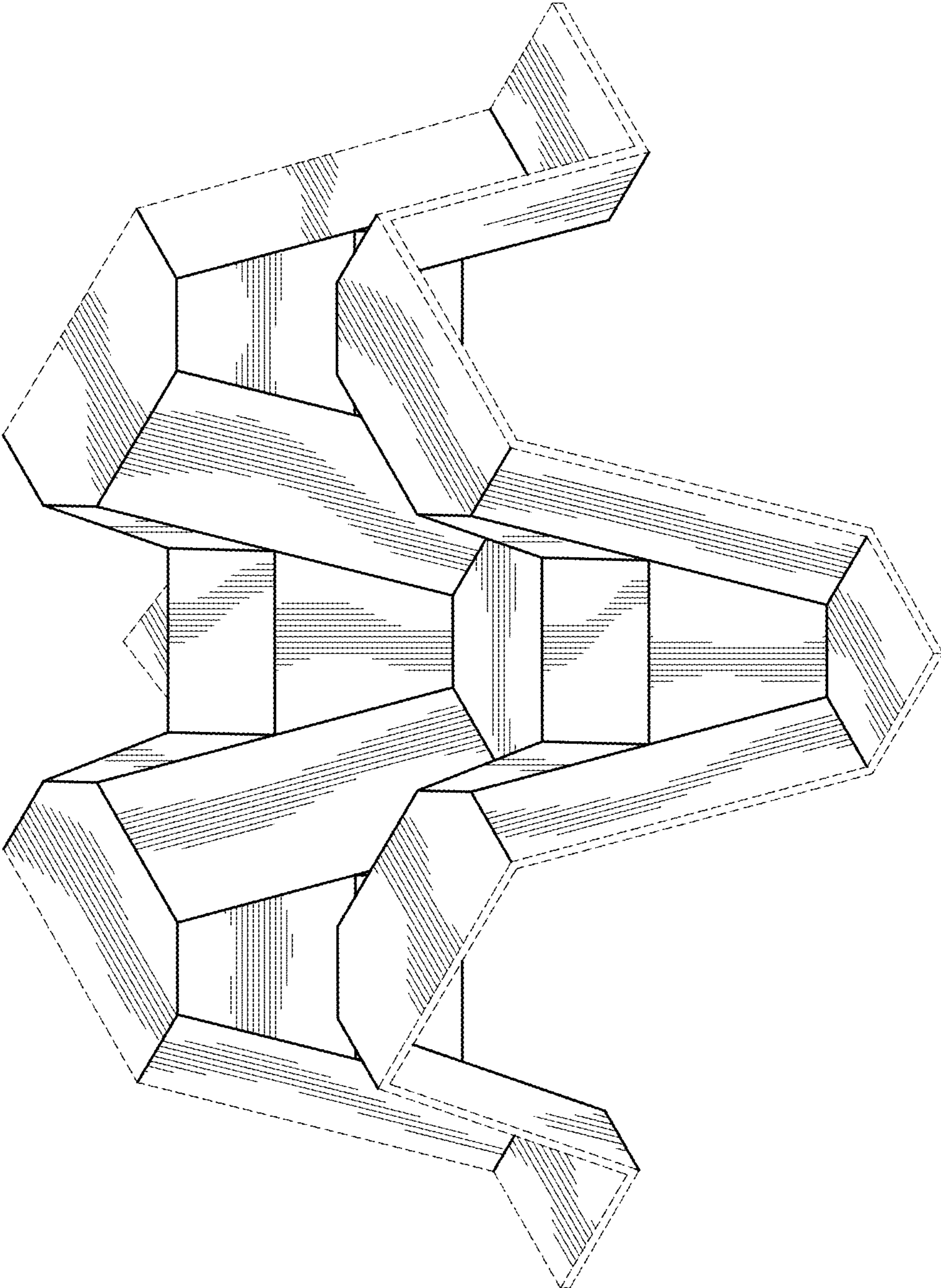
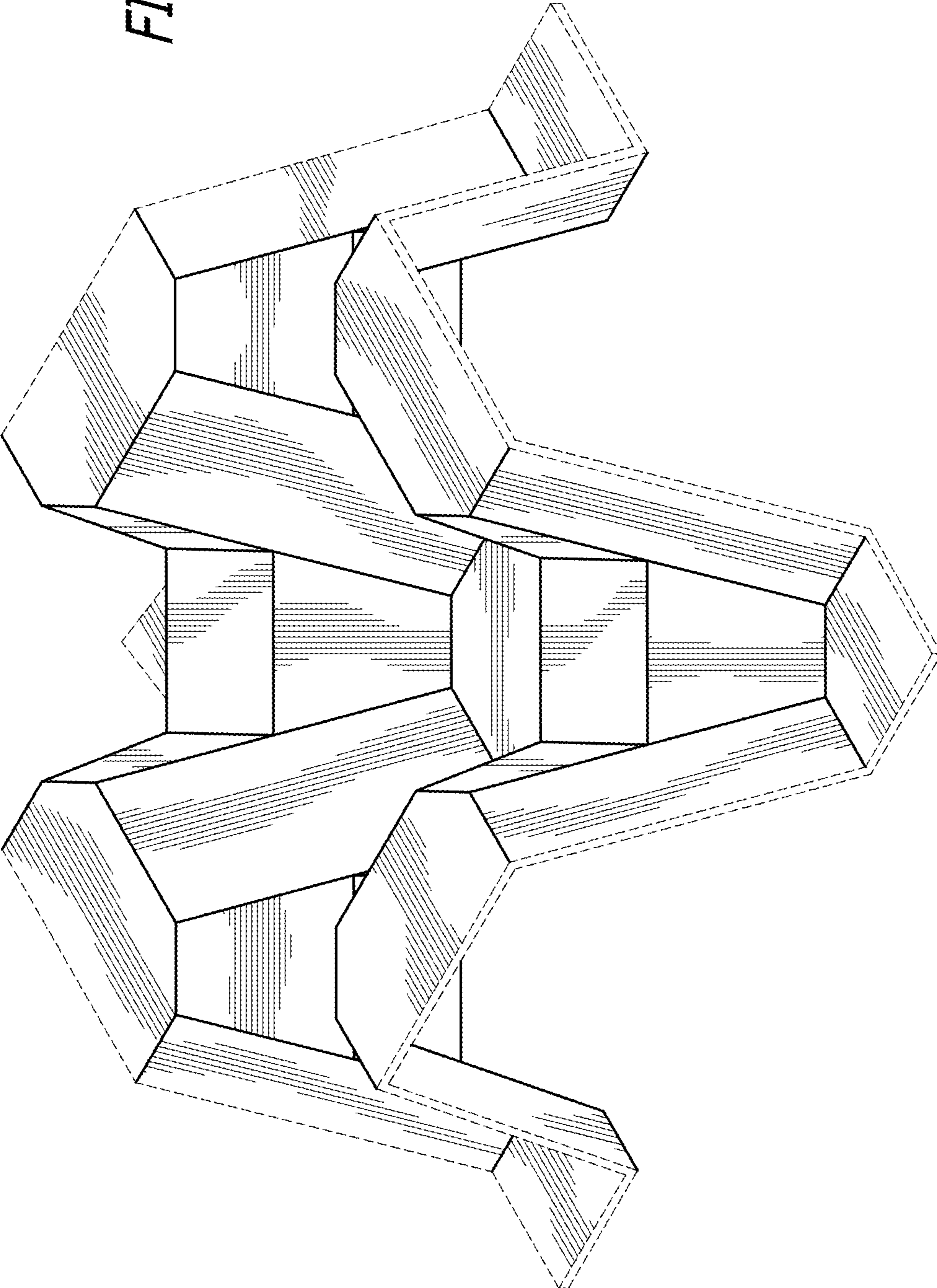
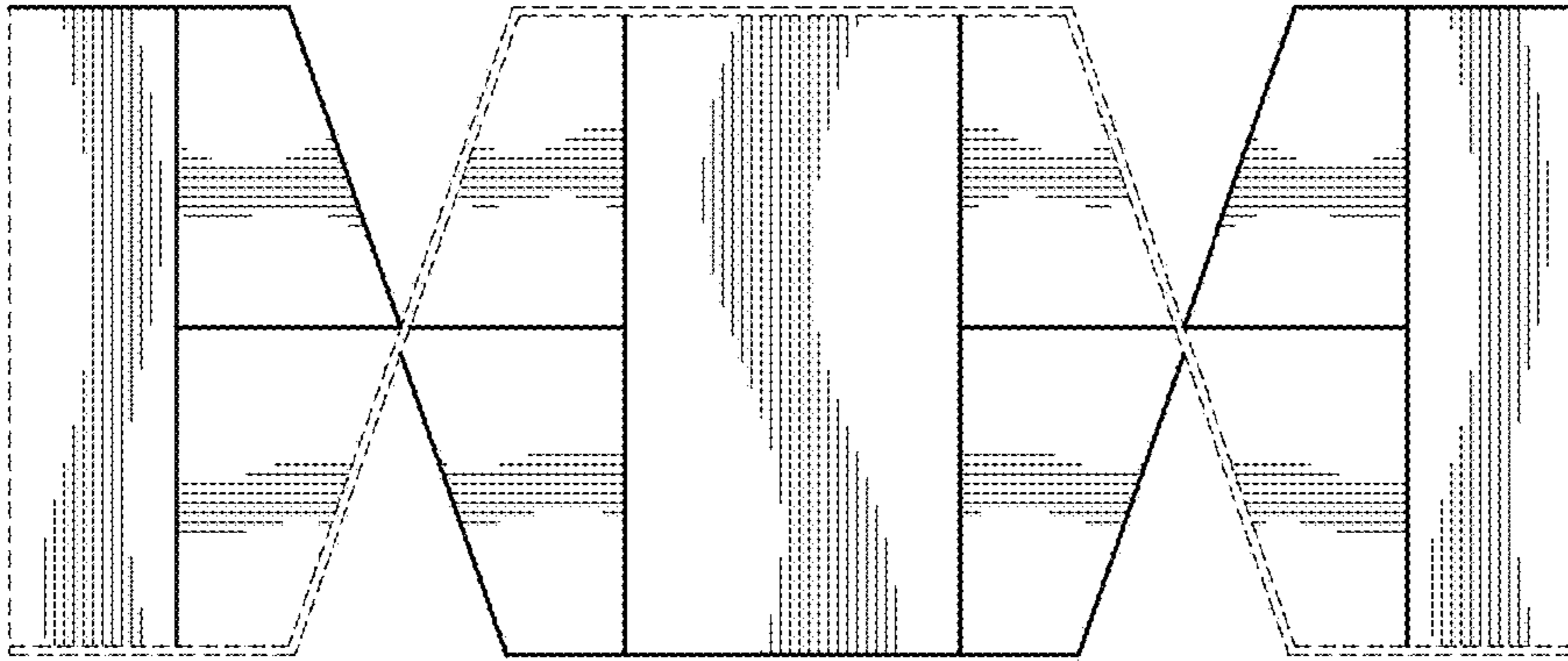


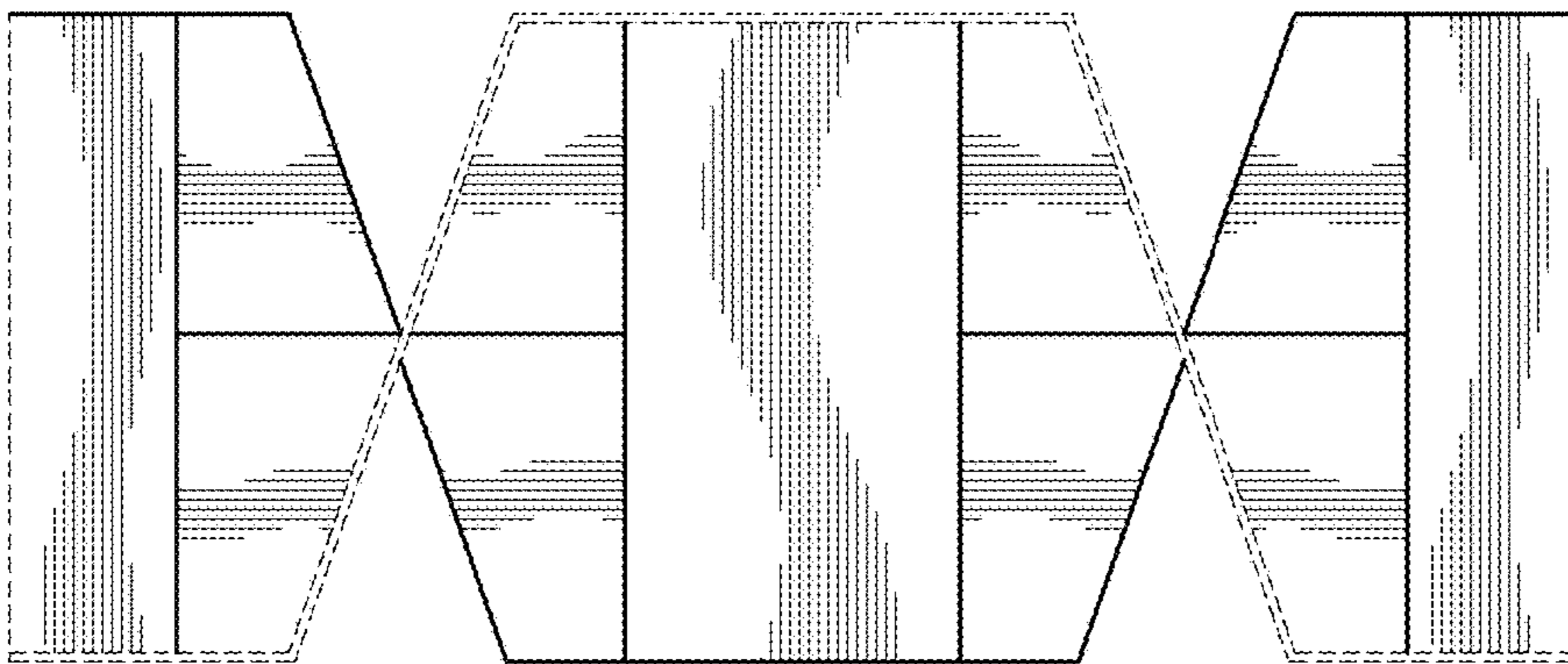
FIG. 1

FIG. 2

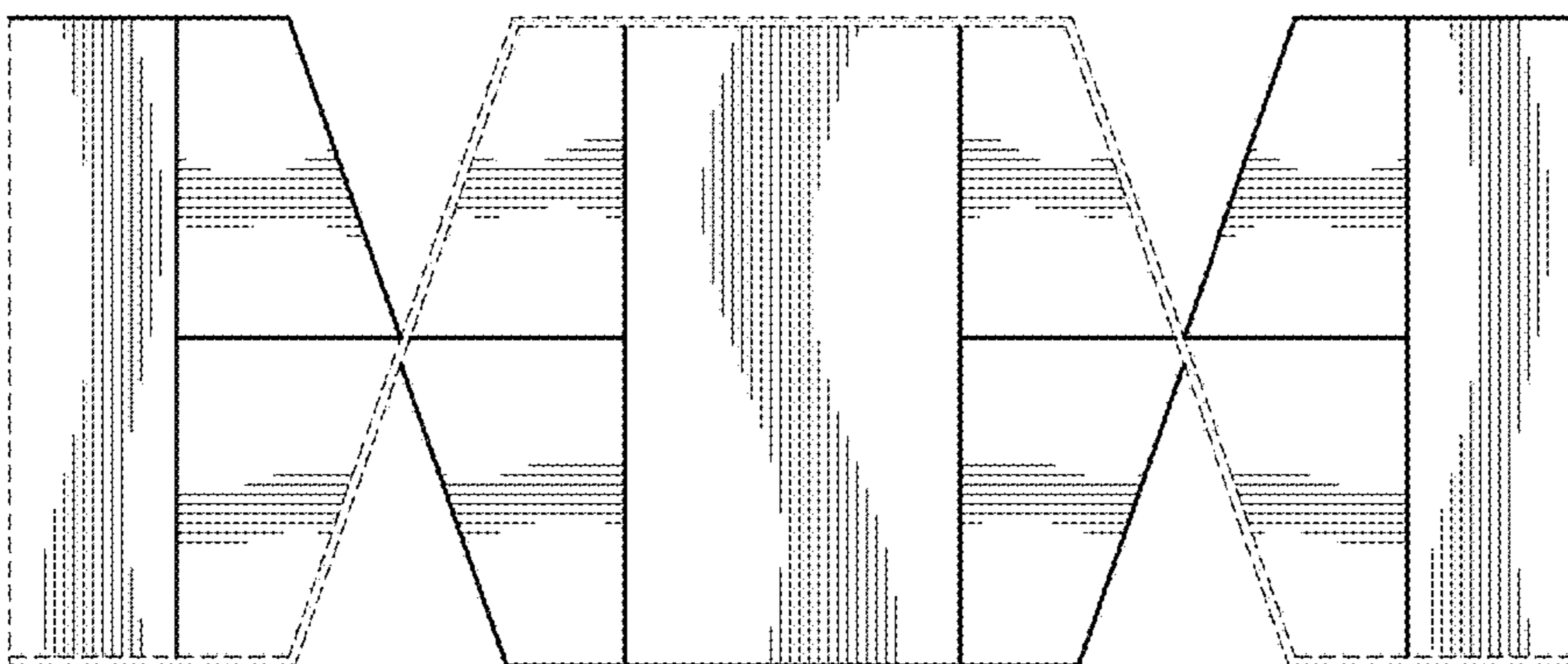




*FIG. 3*



*FIG. 4*



*FIG. 5*

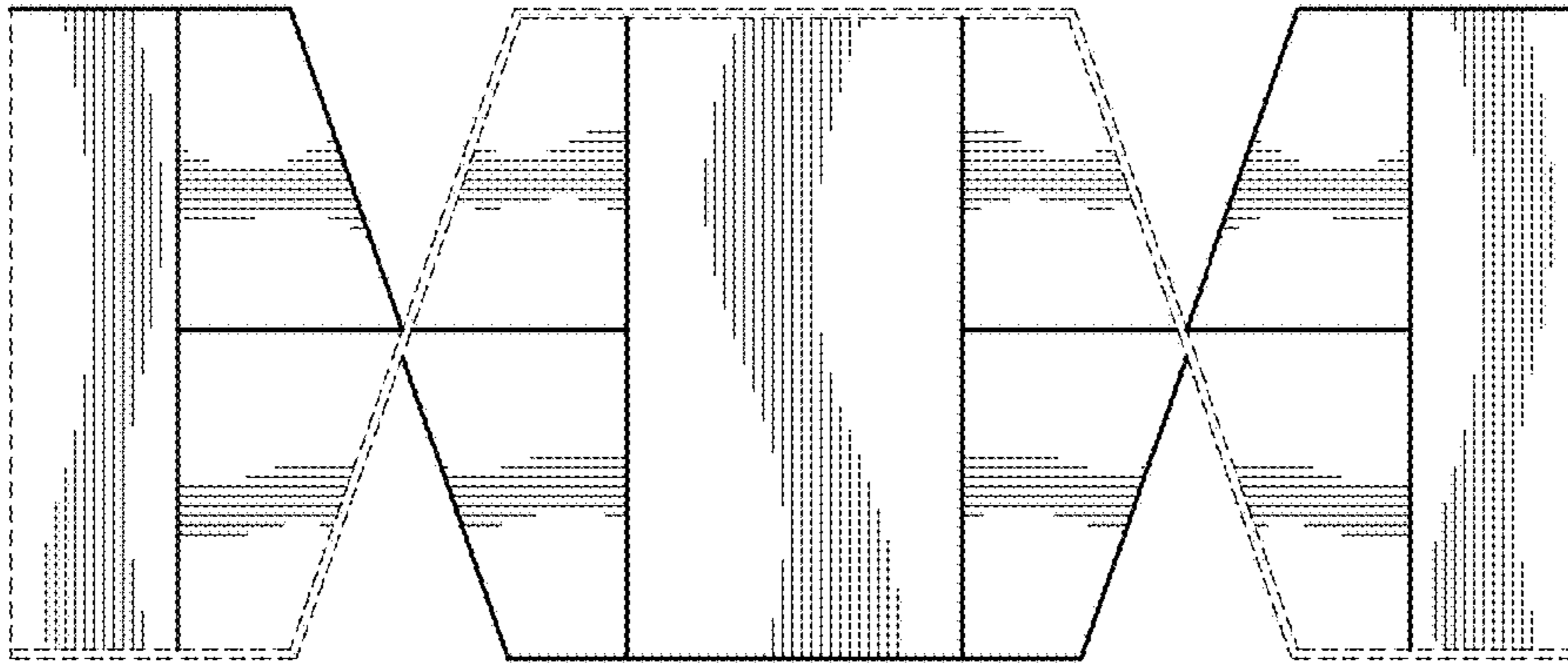


FIG. 6

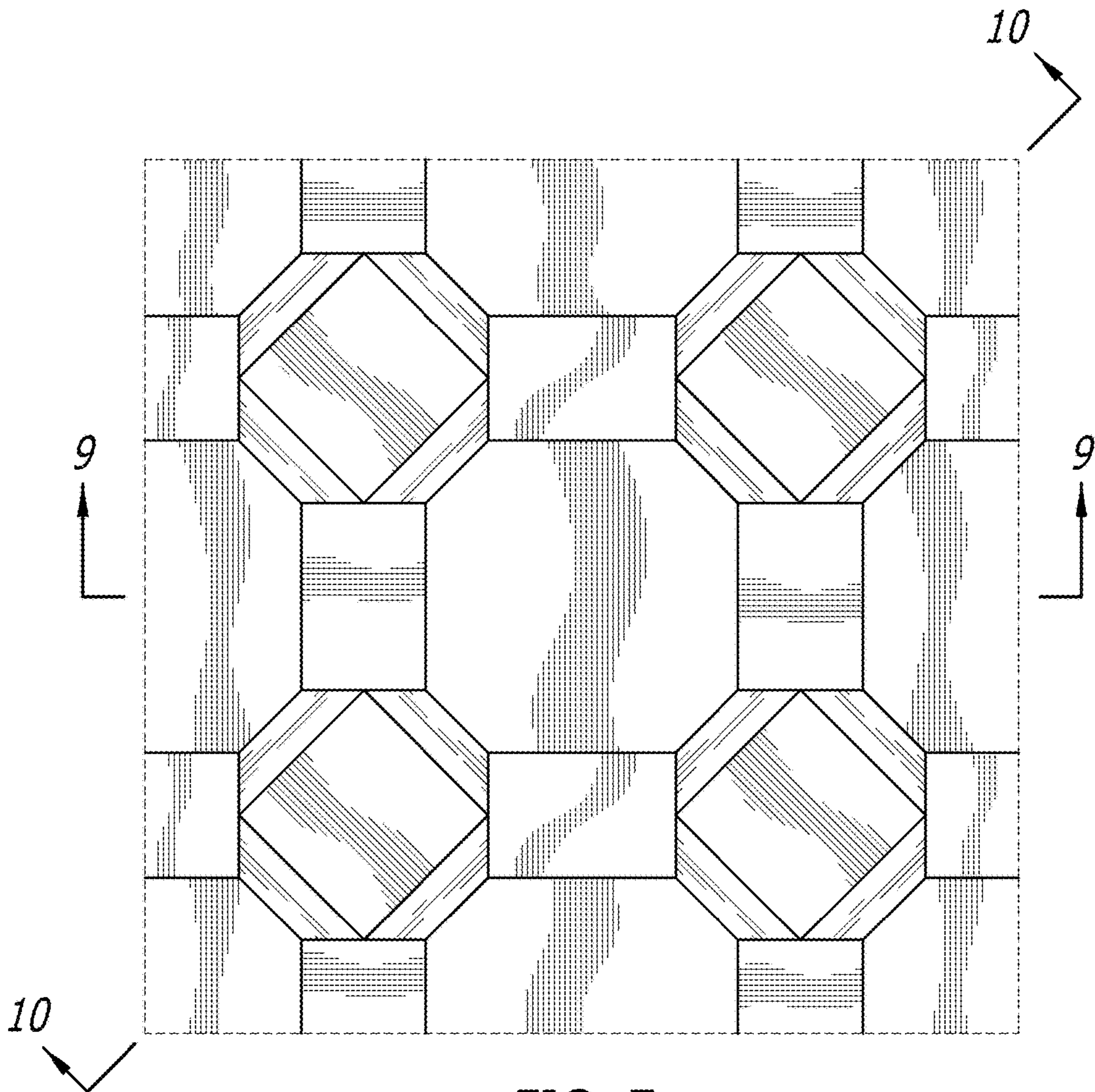
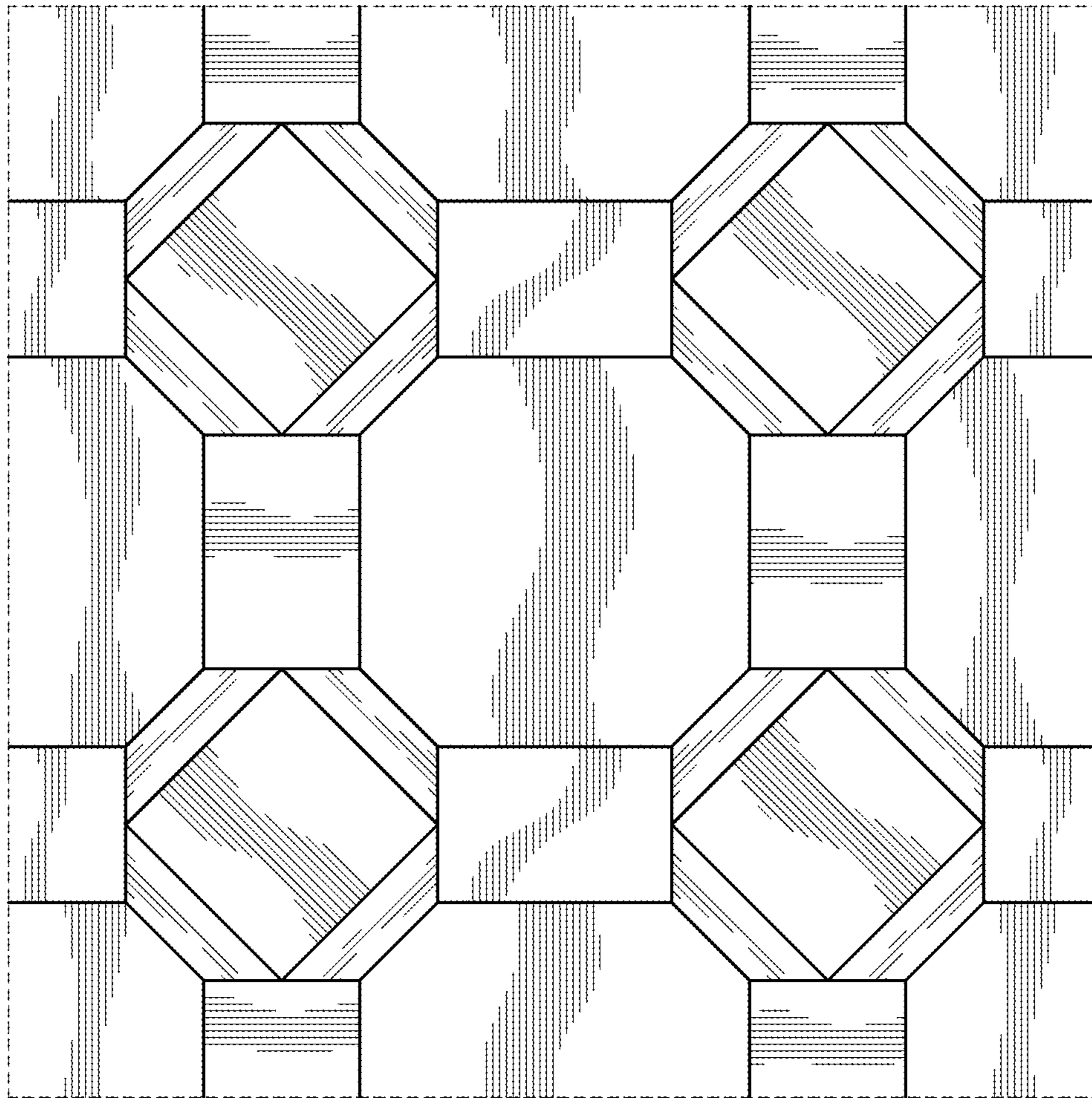


FIG. 7



*FIG. 8*

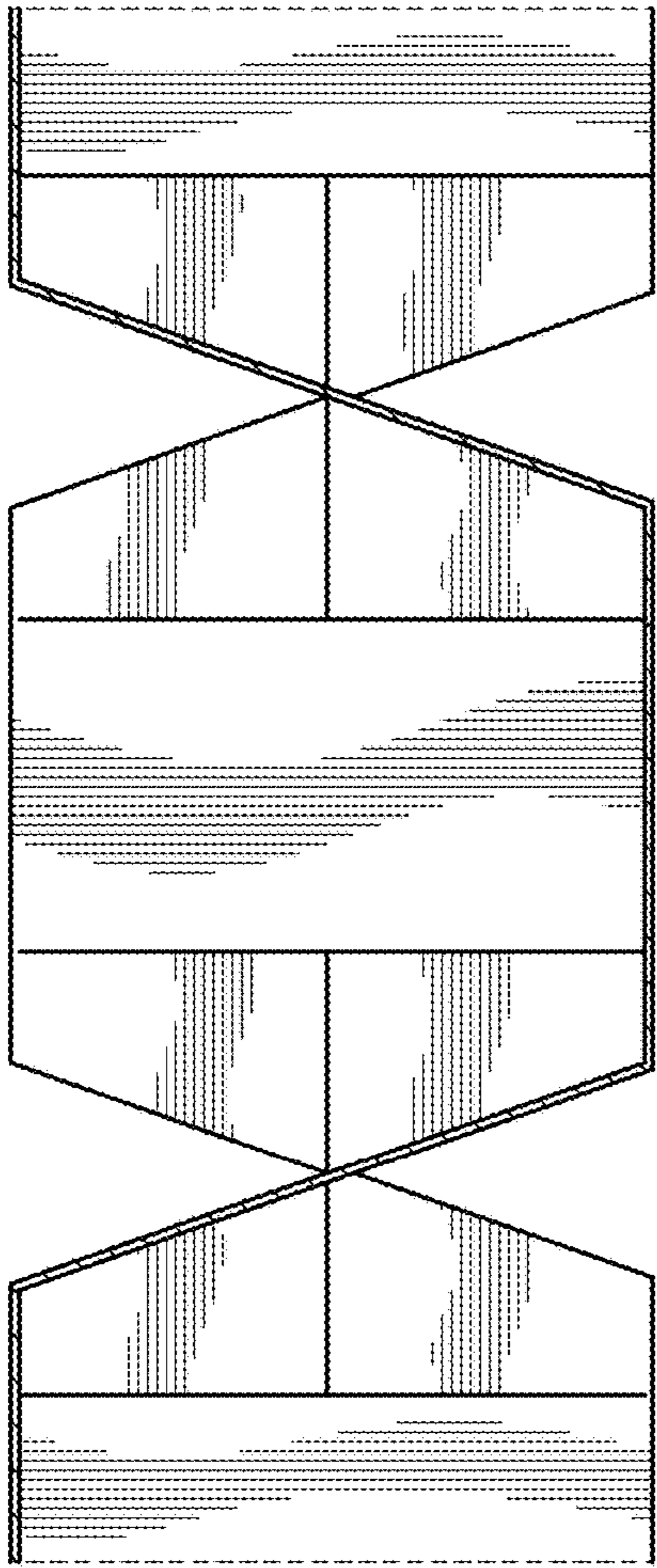


FIG. 9

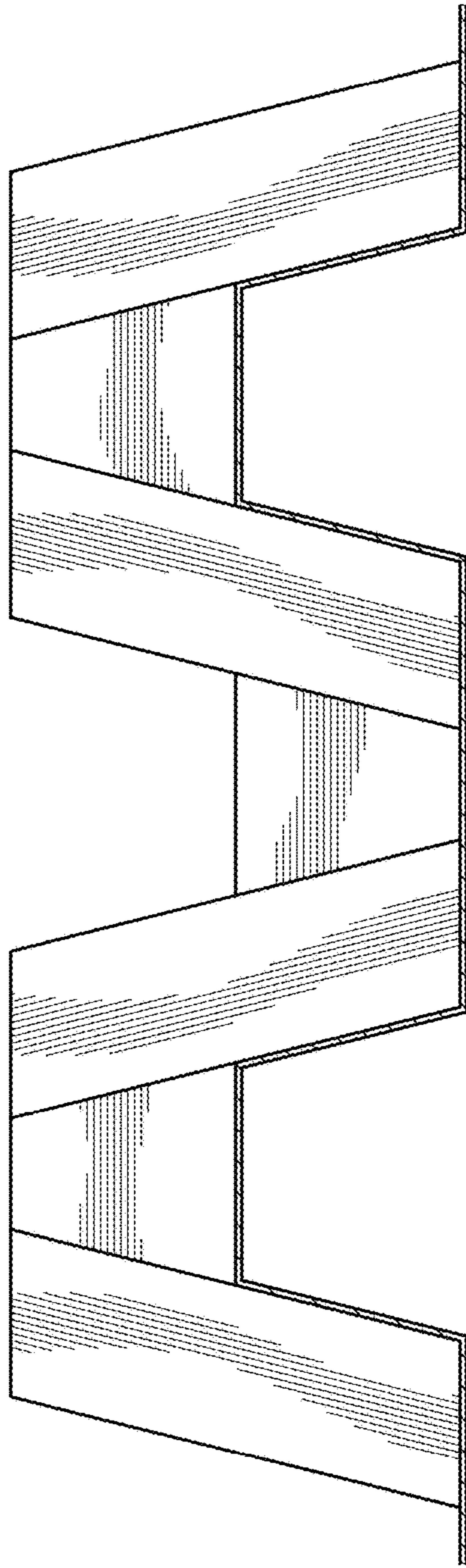


FIG. 10