



US00D848031S

(12) **United States Design Patent**  
**Raab**

(10) **Patent No.:** **US D848,031 S**  
(45) **Date of Patent:** **\*\* May 7, 2019**

(54) **STRUCTURAL PANEL CORE**  
(71) Applicant: **The Pro Design Group, Inc.**, Gardena, CA (US)  
(72) Inventor: **Christopher A. Raab**, Sunset Beach, CA (US)  
(73) Assignee: **The Pro Design Group, Inc.**, Gardena, CA (US)

(\*\*) Term: **15 Years**

(21) Appl. No.: **29/616,432**

(22) Filed: **Sep. 6, 2017**

(51) **LOC (11) Cl.** ..... **25-01**

(52) **U.S. Cl.**

USPC ..... **D25/138**

(58) **Field of Classification Search**

USPC ..... D25/138, 139, 140, 141, 142, 143, 144, D25/157, 158, 159, 160, 161, 162, 163; 428/119, 120, 147, 158, 159, 163, 166, 428/167, 174, 178, 179, 183, 118, 180, 428/181, 182, 184, 185; D7/587; D9/424, 430, 456, 502, 750, 751, 757, D9/758

CPC ... E04C 2/20; E04C 2/205; E04C 2/30; E04C 2002/3411-2002/3466; E04C 2/296; Y10T 428/24174; Y10T 428/24165; Y10T 428/24264; Y10T 428/24702; Y10T 428/24711; B32B 3/28; B32B 29/08; B65D 65/403

See application file for complete search history.

(56) **References Cited**

**U.S. PATENT DOCUMENTS**

1,000,694 A \* 8/1911 Schaefer et al. .... B65D 85/322 217/26.5  
3,011,602 A \* 12/1961 Ensrud ..... E04C 2/32 244/123.12

3,911,187 A \* 10/1975 Raley ..... B29C 51/22 428/180  
4,027,058 A \* 5/1977 Wootten ..... B21D 13/04 428/34.1  
4,078,548 A \* 3/1978 Kapany ..... F24S 70/25 126/648  
4,397,902 A \* 8/1983 Resch ..... B65D 85/32 428/119  
5,348,601 A \* 9/1994 Ray ..... B29C 53/22 156/155  
5,543,204 A \* 8/1996 Ray ..... B32B 3/28 428/179  
D668,117 S \* 10/2012 Shimizu ..... D14/441

(Continued)

*Primary Examiner* — Kevin K Rudzinski

*Assistant Examiner* — Kimberly Barnes

(74) *Attorney, Agent, or Firm* — Matthew J. Spark; Stefan J. Kirchanski; Zuber Lawler & Del Duca LLP

(57) **CLAIM**

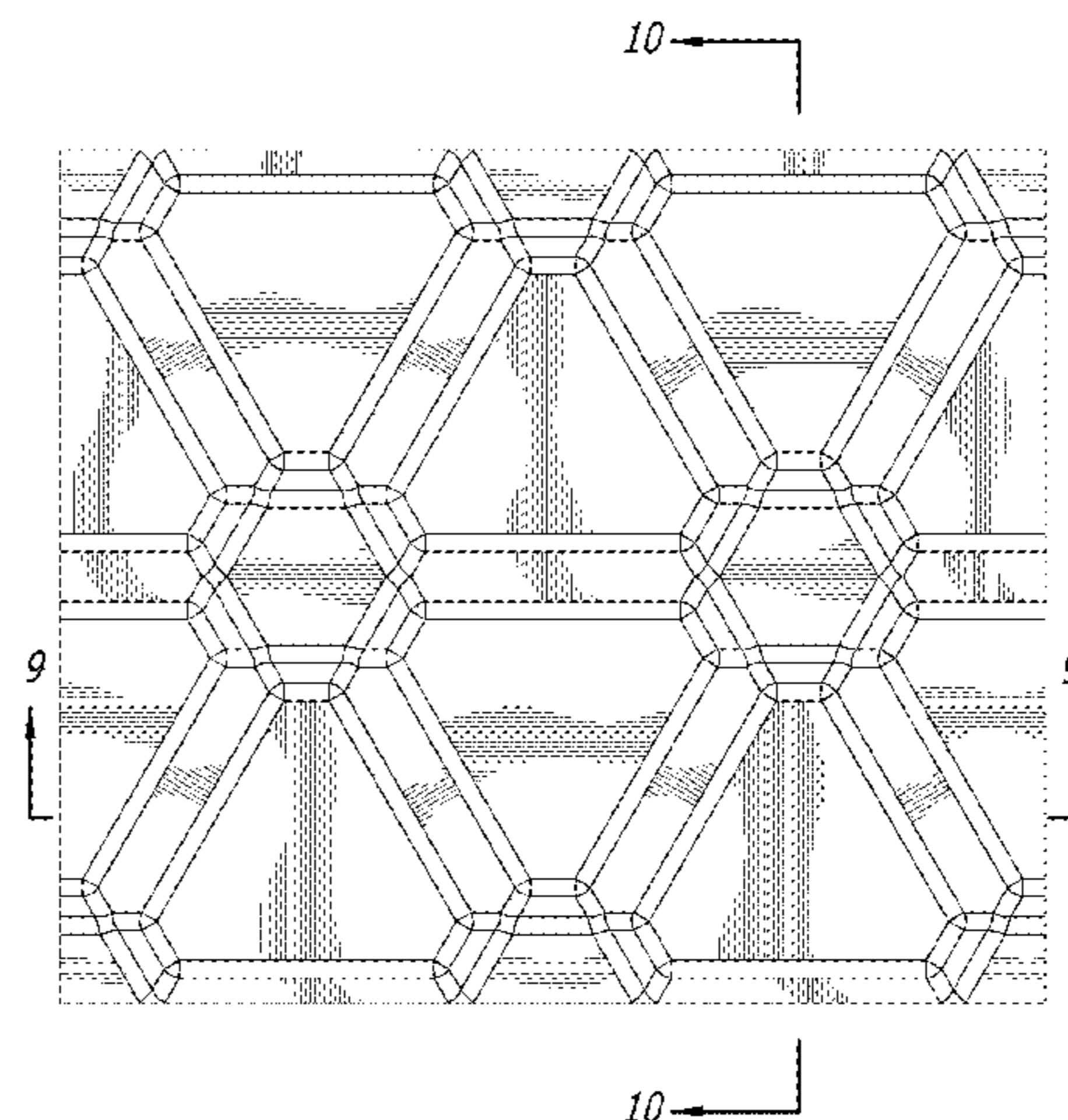
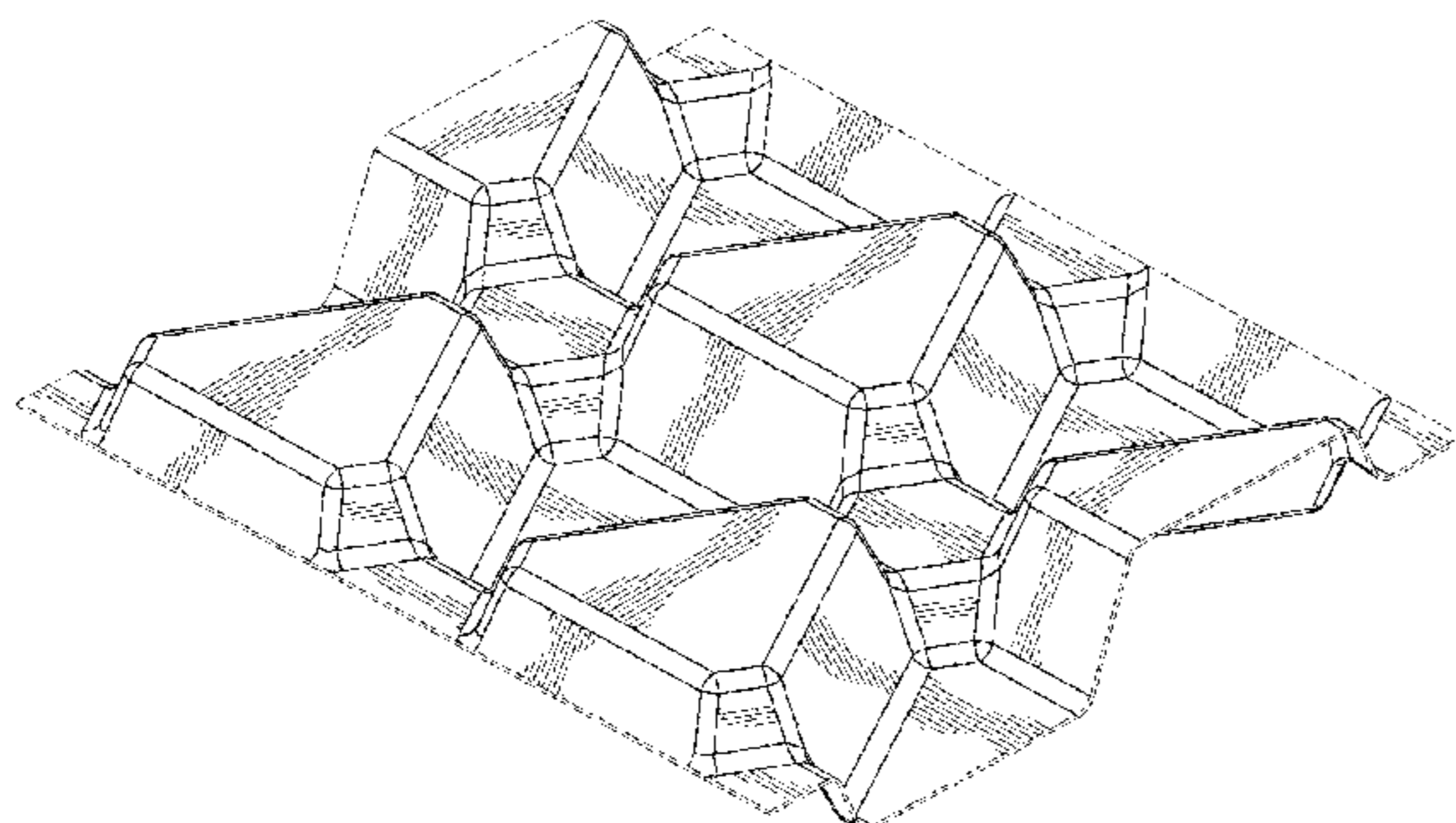
The ornamental design for a structural panel core, as shown and described.

**DESCRIPTION**

FIG. 1 is a top, front, right side perspective view of a structural panel core showing my new design; FIG. 2 is a top, rear, left side perspective view thereof; FIG. 3 is a front elevation view thereof; FIG. 4 is a rear elevation view thereof; FIG. 5 is a left side elevation view thereof; FIG. 6 is a right side elevation view thereof; FIG. 7 is a top plan view thereof; FIG. 8 is a bottom plan view thereof; FIG. 9 is a cross-sectional view taken along line 9-9 of FIG. 7; and, FIG. 10 is a cross-sectional view taken along line 10-10 of FIG. 7.

The broken lines around the perimeters of the drawings depict portions of the structural panel core that form no part of the claimed design.

**1 Claim, 6 Drawing Sheets**



(56)

**References Cited**

U.S. PATENT DOCUMENTS

9,090,288	B2 *	7/2015	Takahashi	.....	B21D 13/10
9,421,731	B2 *	8/2016	Furutani	.....	E04C 2/324
2011/0244213	A1 *	10/2011	Jones	.....	B29C 44/083
					428/304.4
2016/0167336	A1 *	6/2016	Shuert	.....	B32B 3/30
					428/178
2019/0017270	A1 *	1/2019	Raab	.....	E04C 2/296

\* cited by examiner

FIG. 1

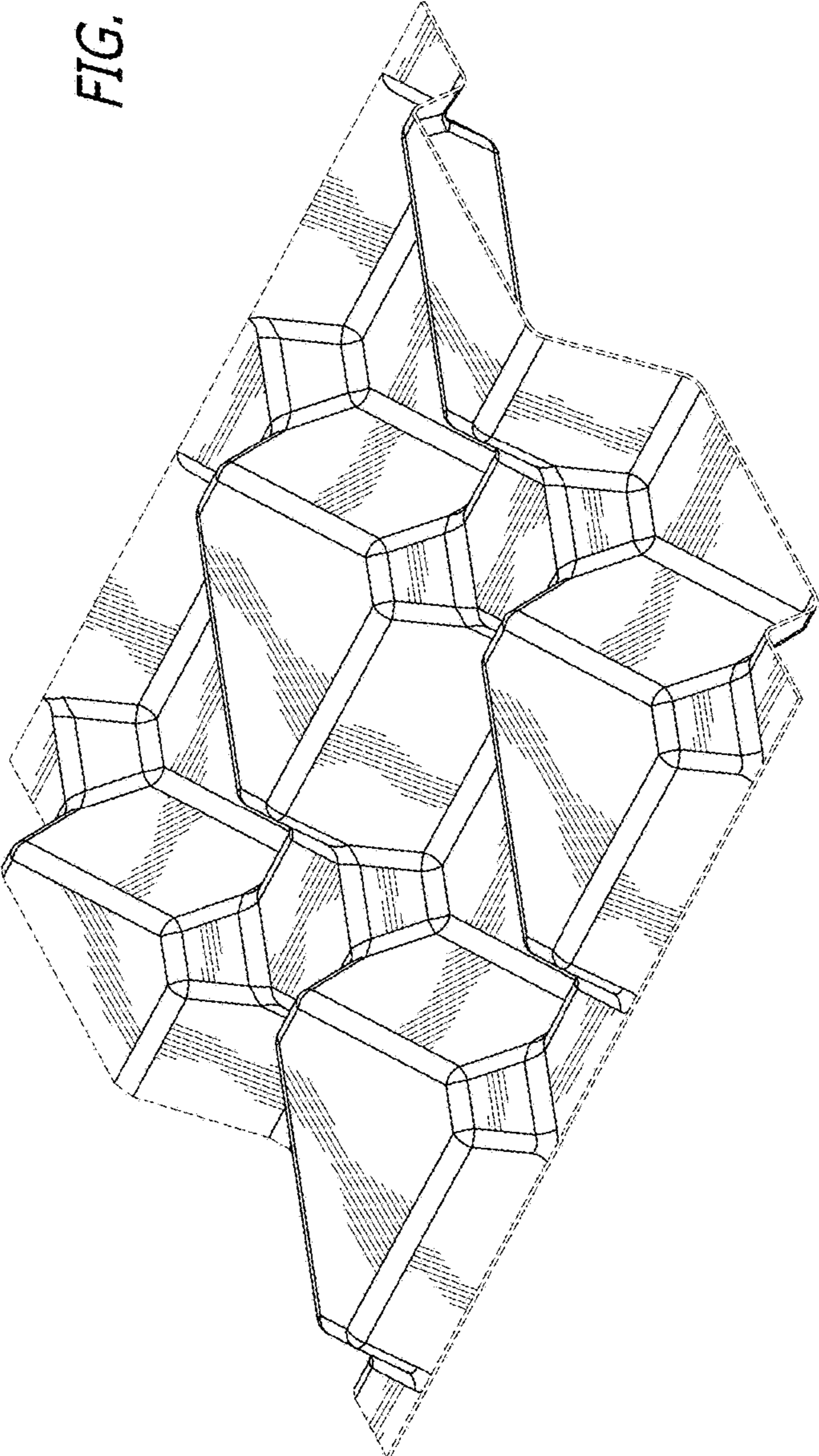
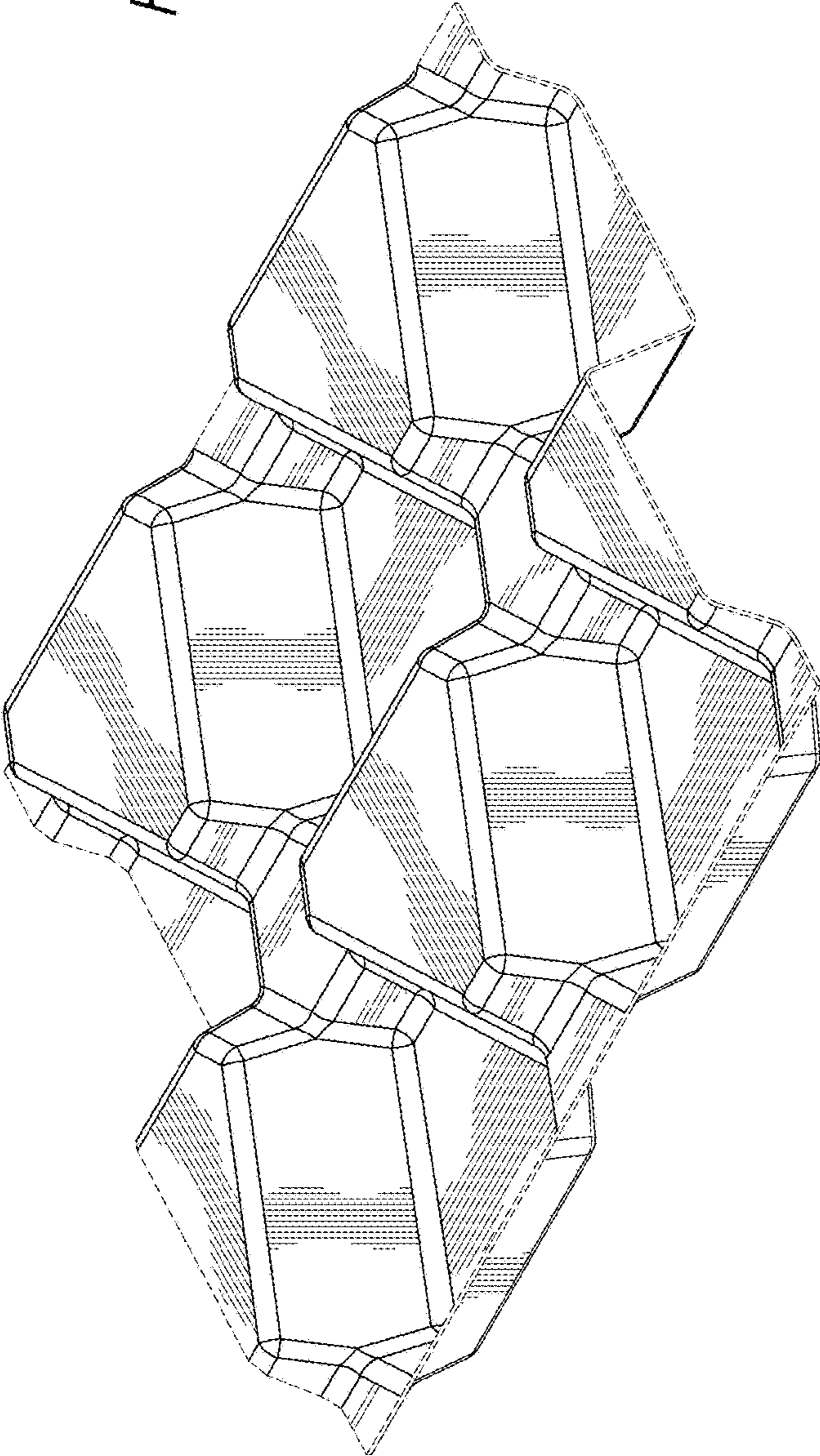




FIG. 2



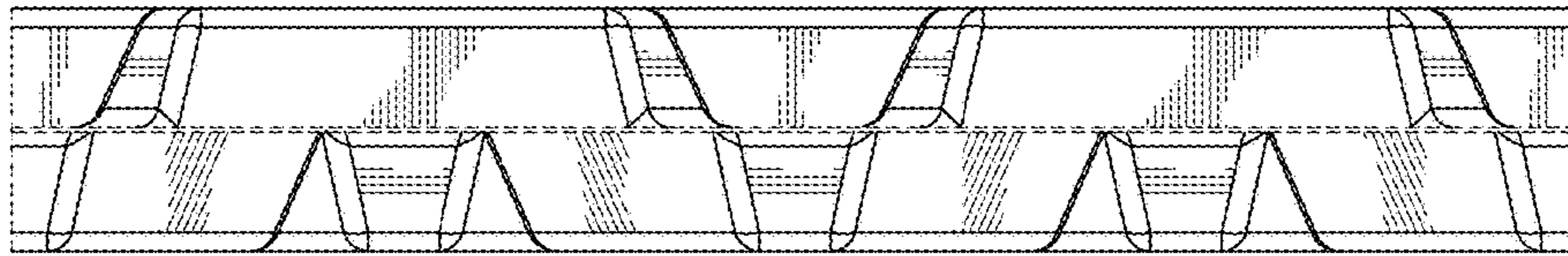


FIG. 3

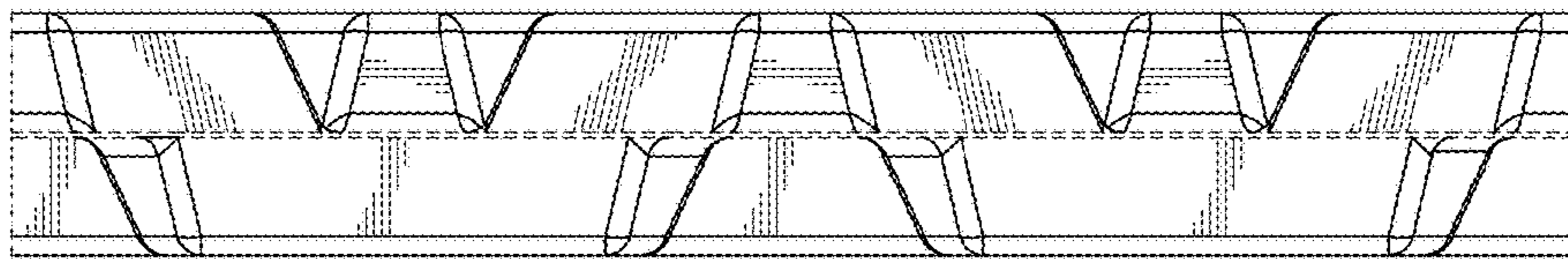


FIG. 4

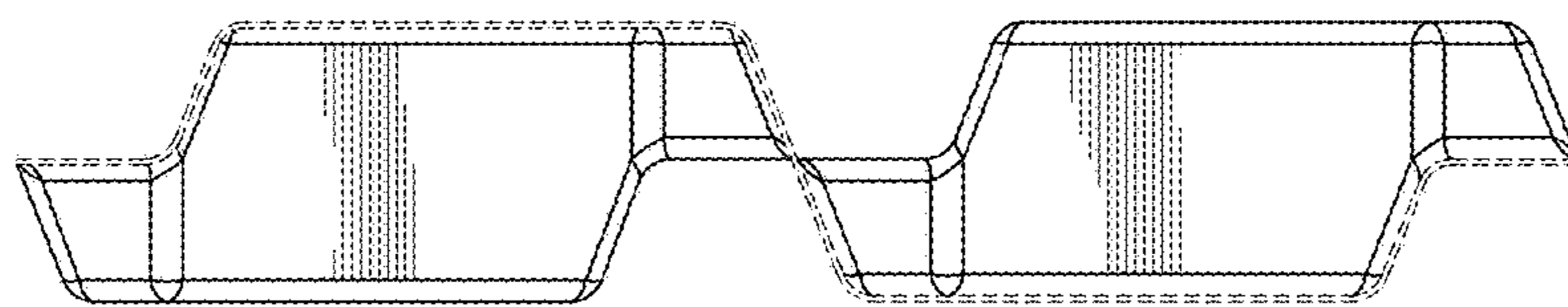


FIG. 5

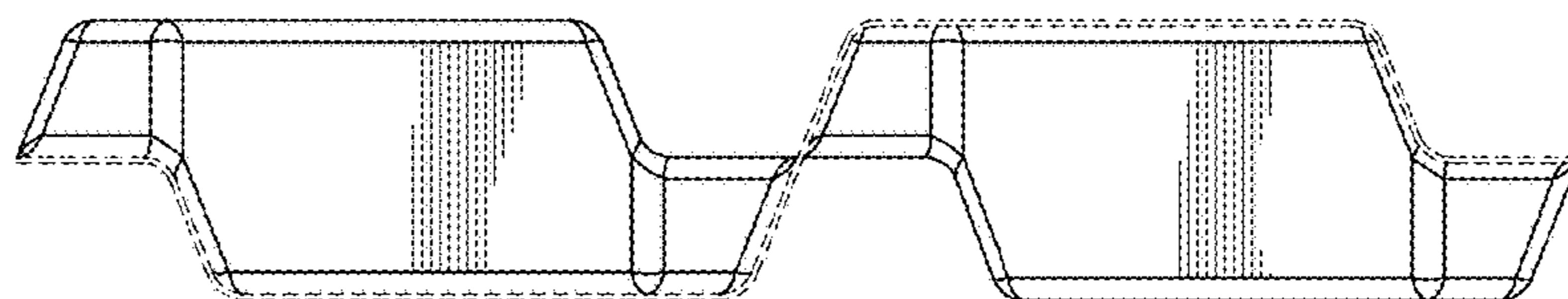


FIG. 6

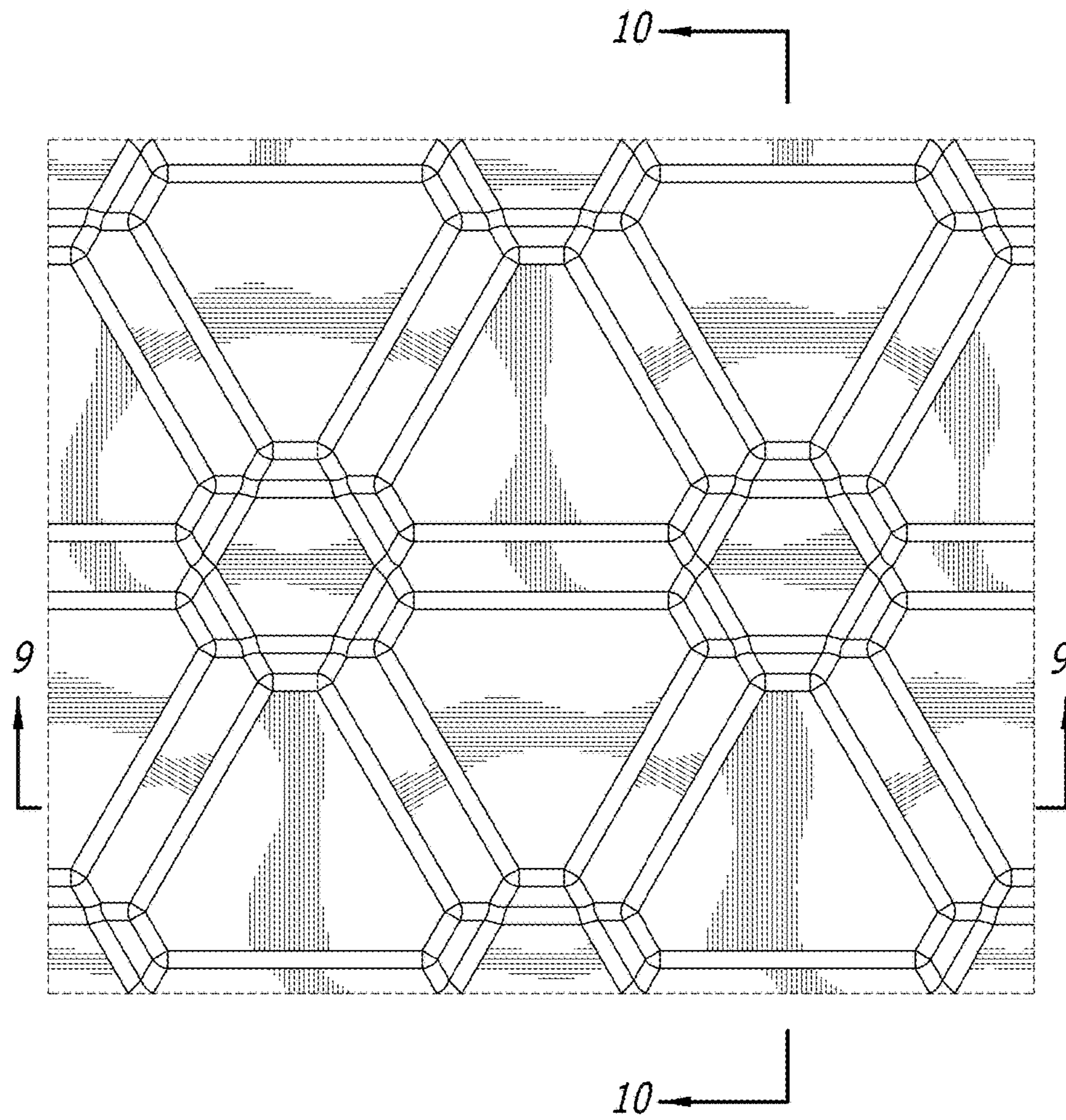
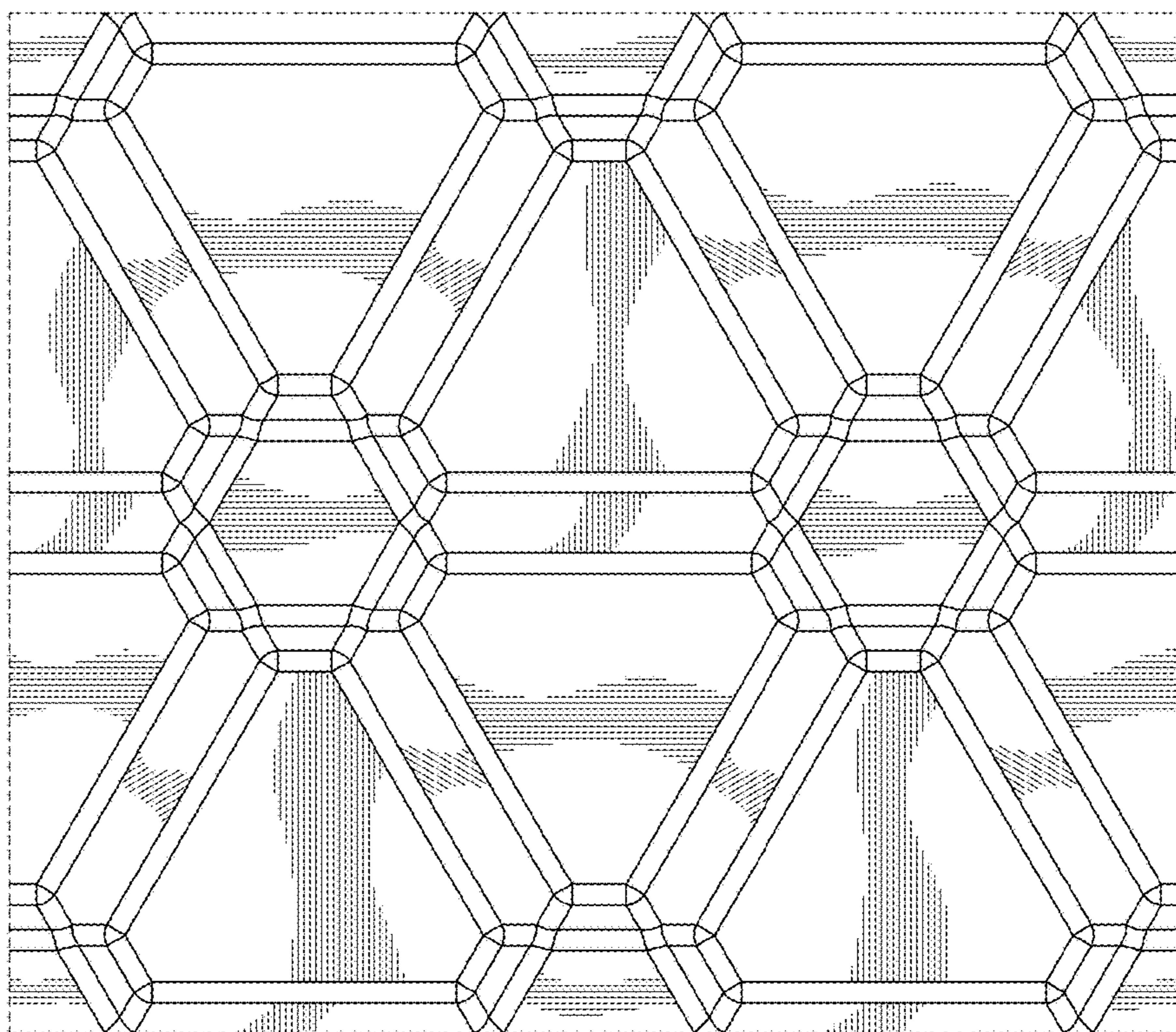


FIG. 7





*FIG. 8*

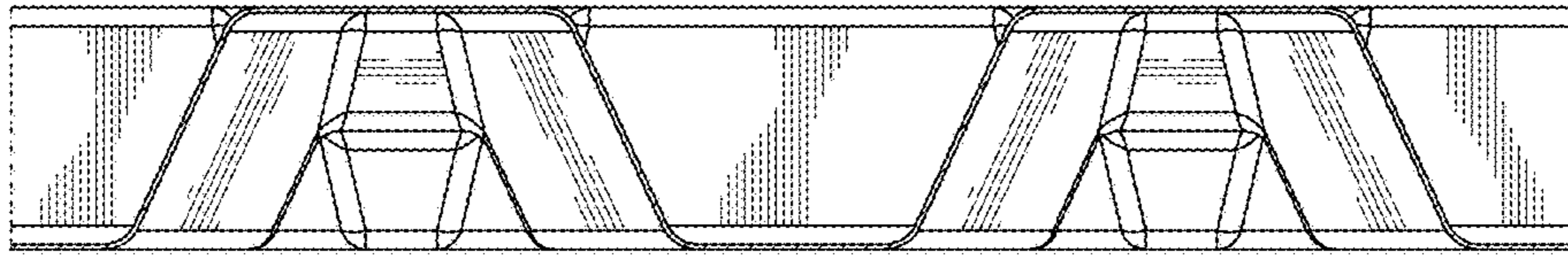


FIG. 9

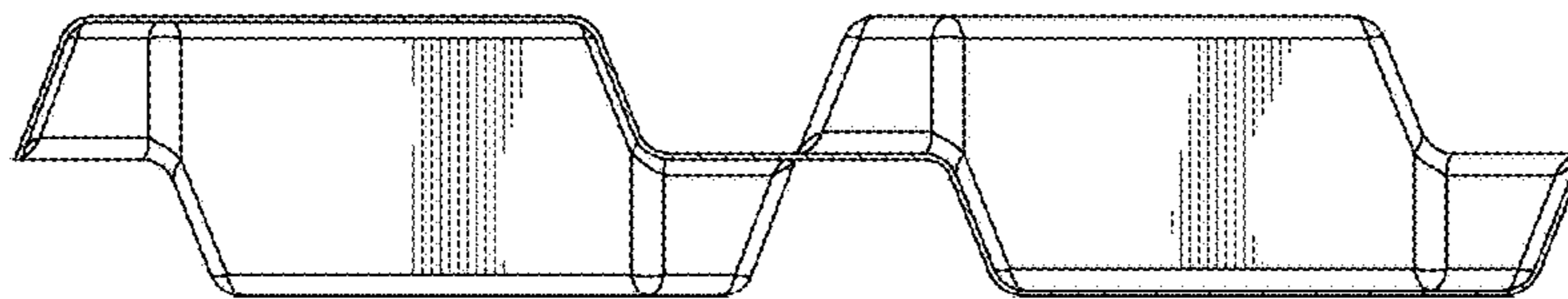


FIG. 10