



US00D848029S

(12) **United States Design Patent** (10) **Patent No.:** **US D848,029 S**  
**Green** (45) **Date of Patent:** **\*\* May 7, 2019**

(54) **LADDER TRAY**  
(71) Applicant: **LockNClimb, LLC**, Independence, KS (US)  
(72) Inventor: **Jeffrey Alan Green**, Independence, KS (US)  
(73) Assignee: **LOCK N CLIMB, LLC**, Independence, KS (US)  
(\*\*) Term: **15 Years**

D631,561 S \* 1/2011 Luciano ..... D25/68  
D678,551 S \* 3/2013 Stark ..... D25/68  
D681,235 S \* 4/2013 Anderson ..... D25/68  
2015/0354278 A1 \* 12/2015 Ellis ..... E06C 7/14  
182/129

\* cited by examiner

*Primary Examiner* — Cynthia Ramirez  
*Assistant Examiner* — Gino Colan  
(74) *Attorney, Agent, or Firm* — Katten Muchin Rosenman LLP

(21) Appl. No.: **29/591,919**  
(22) Filed: **Jan. 25, 2017**  
(51) **LOC (11) Cl.** ..... **25-04**  
(52) **U.S. Cl.**  
USPC ..... **D25/68**  
(58) **Field of Classification Search**  
USPC ..... D25/62, 68; 182/129, 107, 120;  
220/570, 476; 248/238, 210; 15/257.06  
CPC ..... E06C 7/14; E06C 7/00; B25H 3/06  
See application file for complete search history.

(57) **CLAIM**

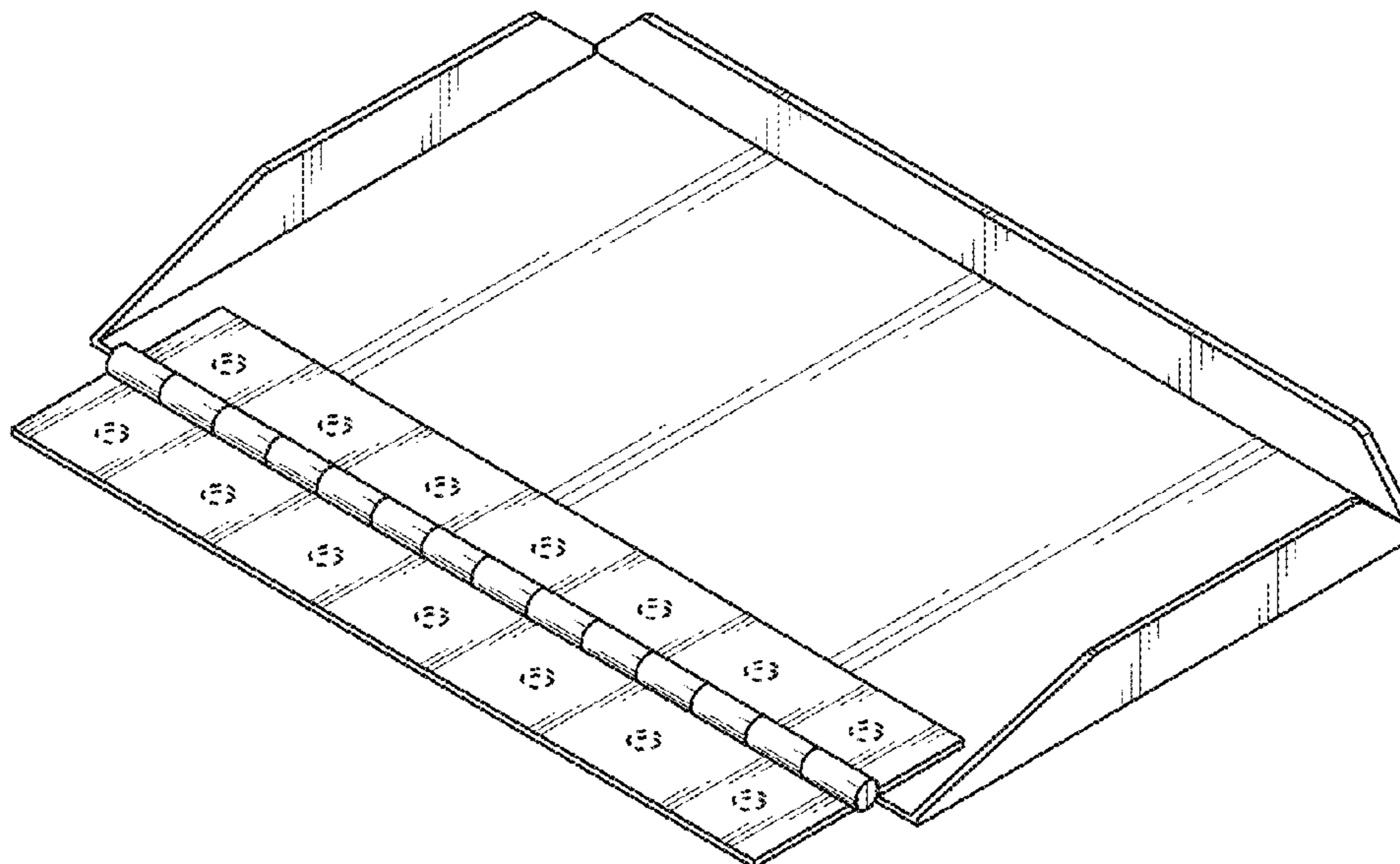
The ornamental design for a ladder tray, as shown and described.

**DESCRIPTION**

FIG. 1 is a front perspective view of a ladder tray showing my new design;  
FIG. 2 is a top plan view thereof;  
FIG. 3 is a bottom plan view thereof;  
FIG. 4 is a front elevation view thereof;  
FIG. 5 is a back elevation view thereof;  
FIG. 6 is a left side elevation view thereof;  
FIG. 7 is a right side elevation view thereof; and,  
FIG. 8 is a another perspective view thereof.  
The broken lines shown in the figures are for the purpose of illustrating environment and form no part of the claimed design.

(56) **References Cited**  
U.S. PATENT DOCUMENTS  
2,988,260 A \* 6/1961 Locke ..... B44D 3/126  
15/257.06  
3,829,051 A \* 8/1974 Emmons ..... E06C 7/14  
108/152  
6,158,551 A \* 12/2000 Gray ..... E06C 7/14  
182/107  
6,237,799 B1 \* 5/2001 Emerson ..... A47B 23/025  
220/476

**1 Claim, 4 Drawing Sheets**



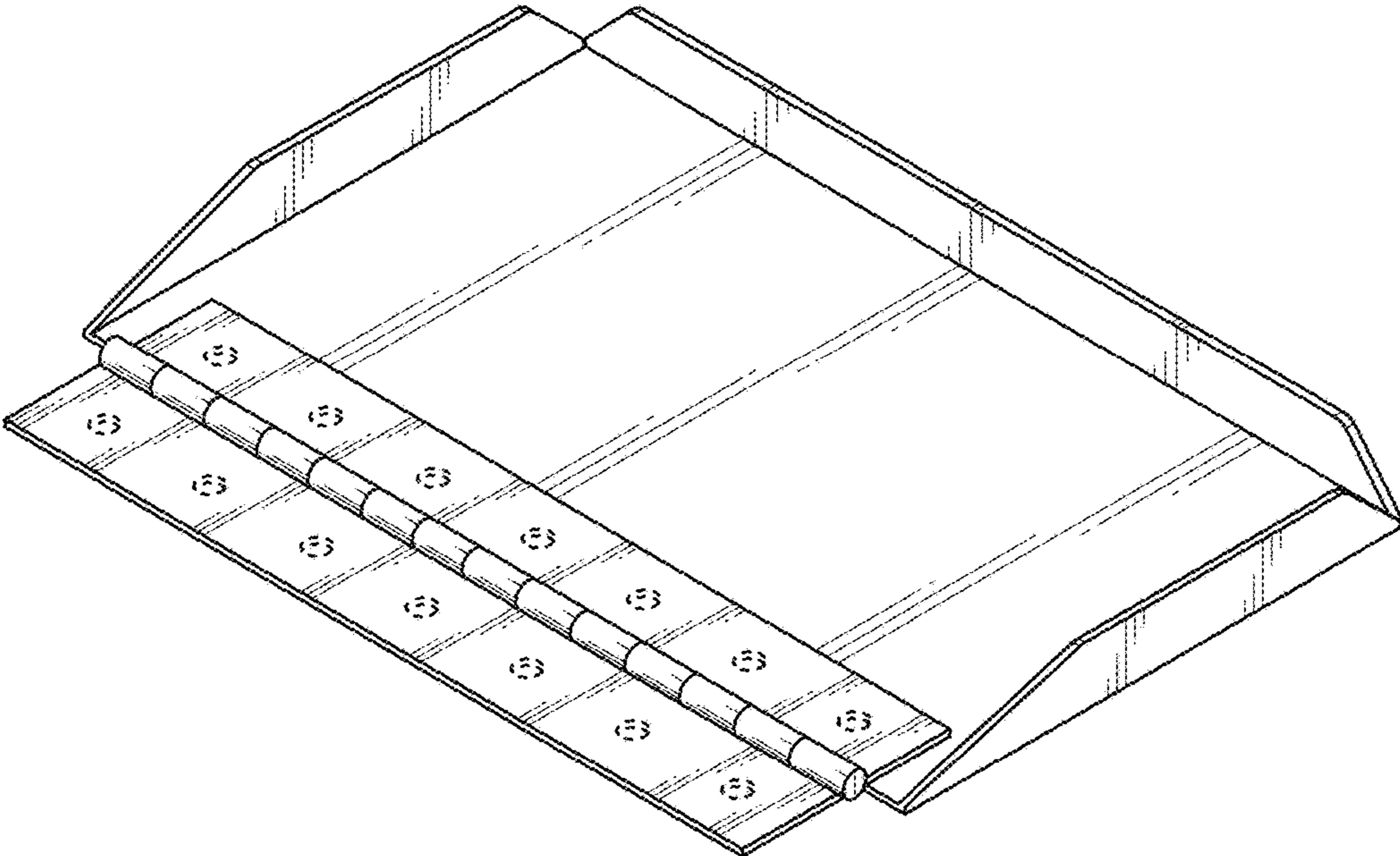


FIG. 1

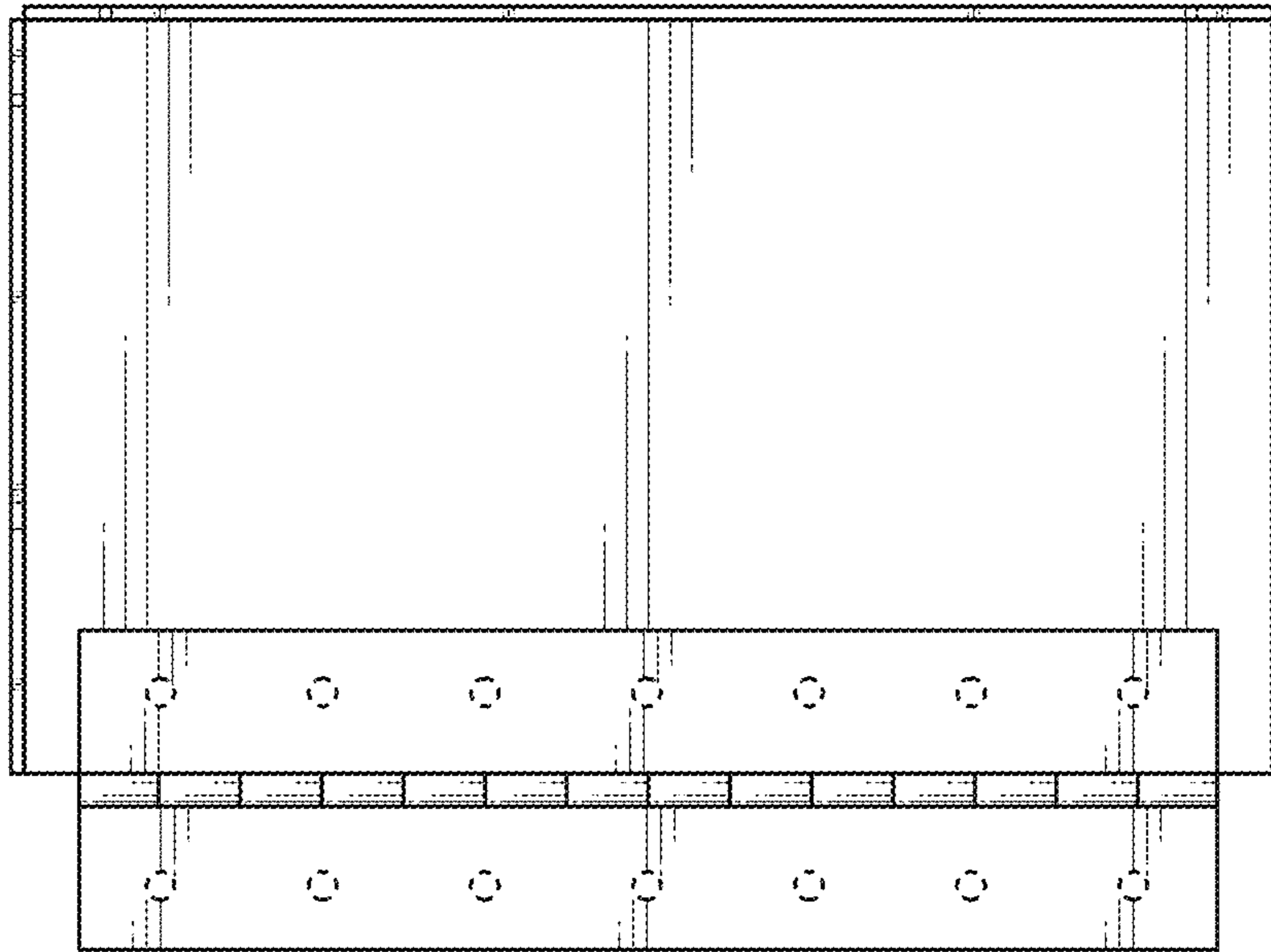


FIG. 2

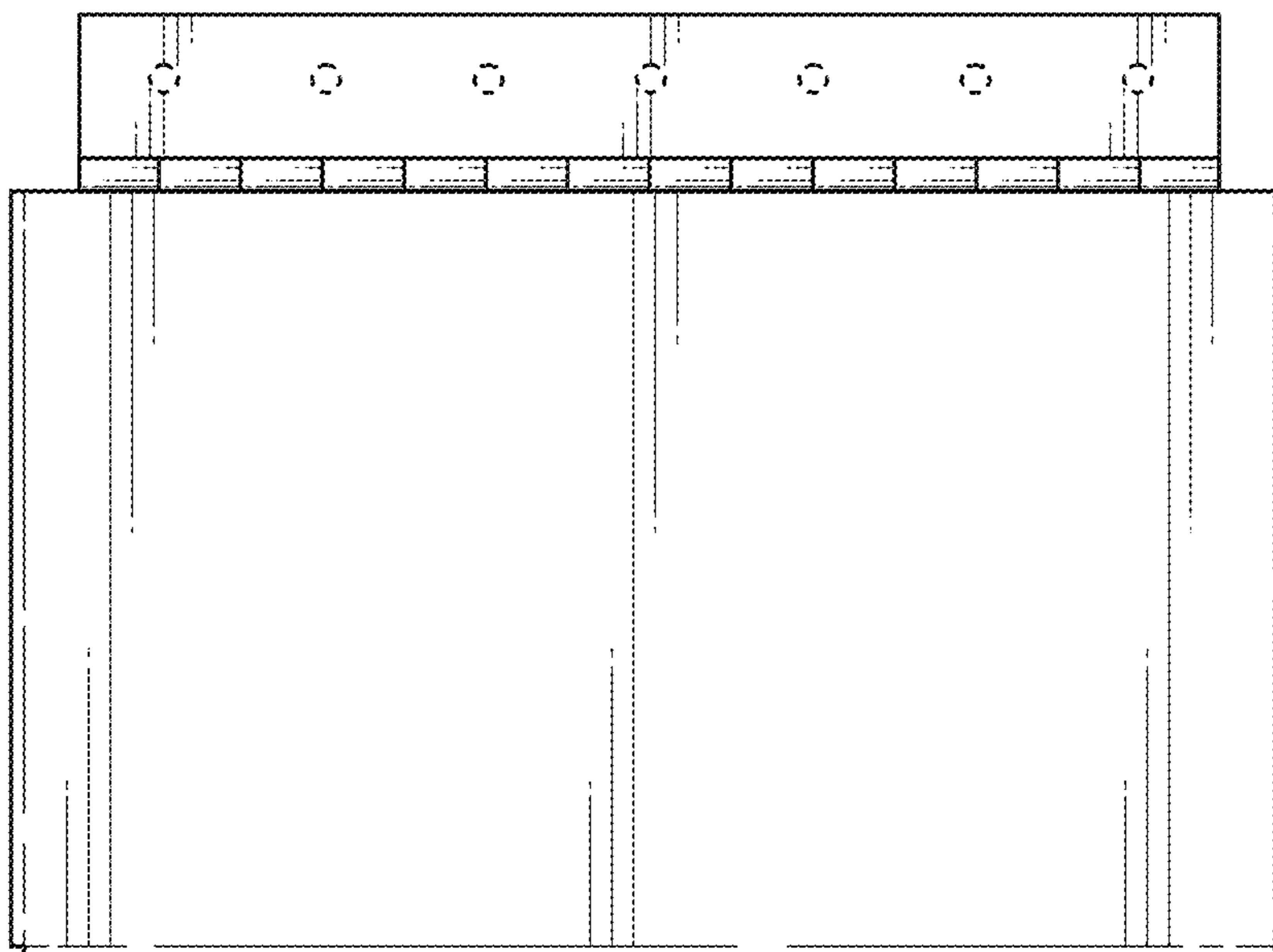


FIG. 3



FIG. 4

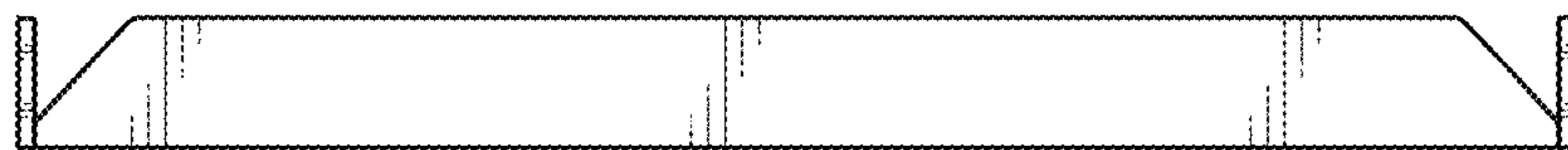


FIG. 5



FIG. 6



FIG. 7

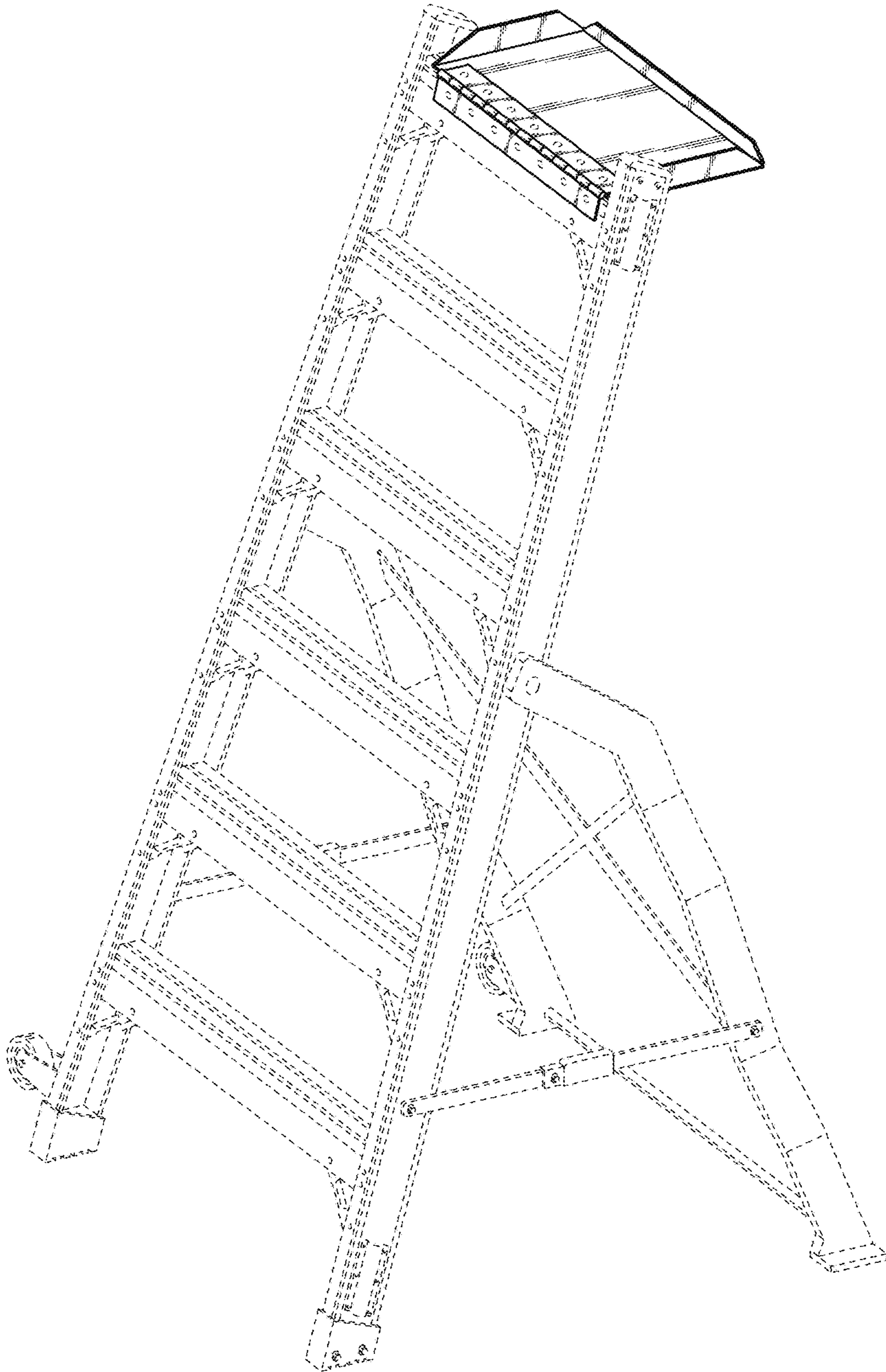


FIG. 8