



US00D848023S

(12) **United States Design Patent** (10) **Patent No.:** **US D848,023 S**
Lafond (45) **Date of Patent:** **** May 7, 2019**

- (54) **SAMPLE VIAL**
- (71) Applicant: **3088081 CANADA INC.,**
St-Mathieu-de-Beloeil (CA)
- (72) Inventor: **André Lafond,** Mont Saint Hilaire
(CA)
- (73) Assignee: **3088081 Canada Inc.,**
St-Mathieu-de-Beloeil (CA)
- (**) Term: **15 Years**
- (21) Appl. No.: **29/625,375**
- (22) Filed: **Nov. 9, 2017**
- (51) **LOC (11) Cl.** **24-02**
- (52) **U.S. Cl.**
USPC **D24/224**
- (58) **Field of Classification Search**
USPC D24/115, 117, 141, 216-232; D16/242;
D14/164, 175, 188, 203.1
CPC B01L 3/502; B01L 3/50825; B65D 1/09;
G01N 27/44743
See application file for complete search history.

- D679,829 S * 4/2013 Clark D24/224
- D706,945 S * 6/2014 Chan D24/216
- D773,432 S * 12/2016 Rowan D14/188
- D820,996 S * 6/2018 Knaus C12M 23/08
D24/224
- D821,603 S * 6/2018 Tanner D24/224
- D828,865 S * 9/2018 Zeng D16/242

OTHER PUBLICATIONS

3.00ml Micronic Tissue Storage Tubes—Quintech Life Sciences Pte Ltd. <http://www.quintechlifesciences.com/product-highlight/>; Oct. 10, 2017.

(Continued)

Primary Examiner — Susan Bennett Hattan
Assistant Examiner — Omeed Agilee
(74) *Attorney, Agent, or Firm* — Gwendoline Bruneau

(57) **CLAIM**

The ornamental design for a sample vial, as shown and described.

DESCRIPTION

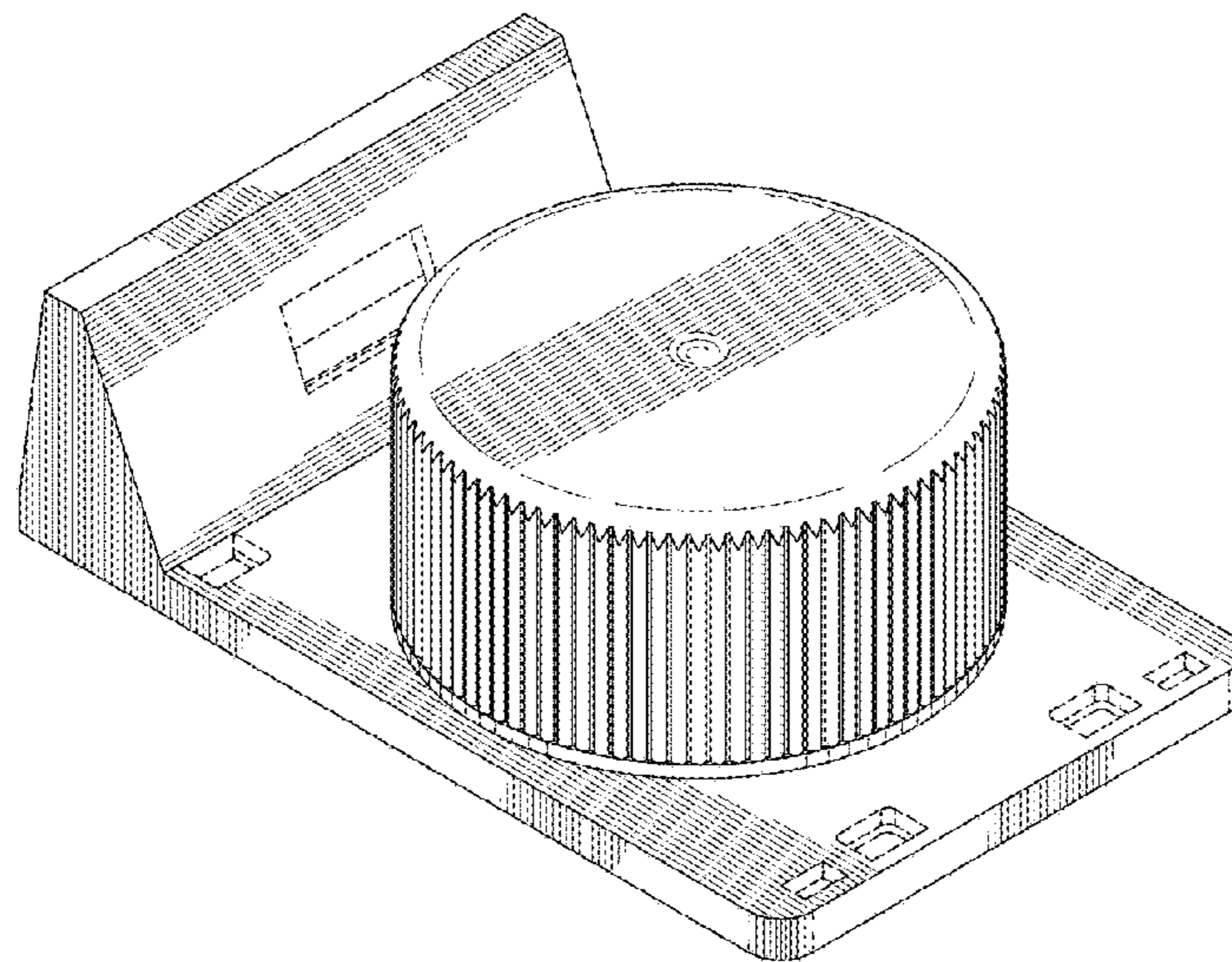
FIG. 1 is a first perspective side view of my new design; FIG. 2 is a bottom perspective thereof; FIG. 3 second perspective side view thereof; FIG. 4 is a front view thereof; FIG. 5 is a rear view thereof; FIG. 6 is a top view thereof; FIG. 7 is a bottom view thereof; FIG. 8 is a first side view thereof; and, FIG. 9 is a second side view thereof. The dot dash dot broken lines depict the boundaries of the claim in FIGS. 2 and 7 and form no part thereof. All other broken lines, the areas within them and all areas adjacent to shaded surfaces depict portions of the sample vial that form no part of the claim design.

1 Claim, 6 Drawing Sheets

(56) **References Cited**

U.S. PATENT DOCUMENTS

- D214,703 S * 7/1969 Kiven D16/203
- D230,634 S * 3/1974 Kardach D16/242
- D416,032 S * 11/1999 Bakshi D16/203
- 6,948,631 B2 * 9/2005 Lafond B65D 41/3409
215/209
- 7,241,417 B2 * 7/2007 Lee B01L 3/5023
422/408
- D552,739 S * 10/2007 Green D24/186
- D583,237 S * 12/2008 Fuchs D9/453
- 7,544,324 B2 * 6/2009 Tung A61B 10/0045
422/504
- D630,193 S * 1/2011 Bennett D14/167



(56)

References Cited

OTHER PUBLICATIONS

5mL CryoELITE Tissue Vial, WHT, STRL—Duran Wheaton Kimble <http://wheaton.com/5ml-cryoelite-tissue-vial-wht-strl.html>; Oct. 10, 2017.

Cryo 25 & 81 cardboard freezer box—Evergreen Scientific <http://www.evergreensci.com/labware-catalog/cryo-storage/cryo-25-and-81-cardboard-freezer-box/>; Oct. 10, 2017.

Nalgene 2118-9050 Polypropylene 15mL Wide-Mouth Straight-Sided Jar https://www.amazon.com/Nalgene-2118-9050-Polypropylene-Wide-Mouth-Straight-Sided/dp/B0030BYW10/ref=sr_1_fkmr0_1?ie=UTF8&qid=1508857735&sr=8-1-fkmr0&keywords=Nalgene+2118-9050+Polypropylene+15ml+Wide-Mouth+Straight-Sided+Jar+%28Pack+of+12%29; Oct. 10, 2017.

Tissue Sample Storage Tube with 2D Barcode and External Thread Screw Cap—FluidX Ltd. <http://fluidx.bio/tissue-sample-storage-tube-with-2d-barcode-and-external-thread-screw-cap.html>; Oct. 10, 2017.

* cited by examiner

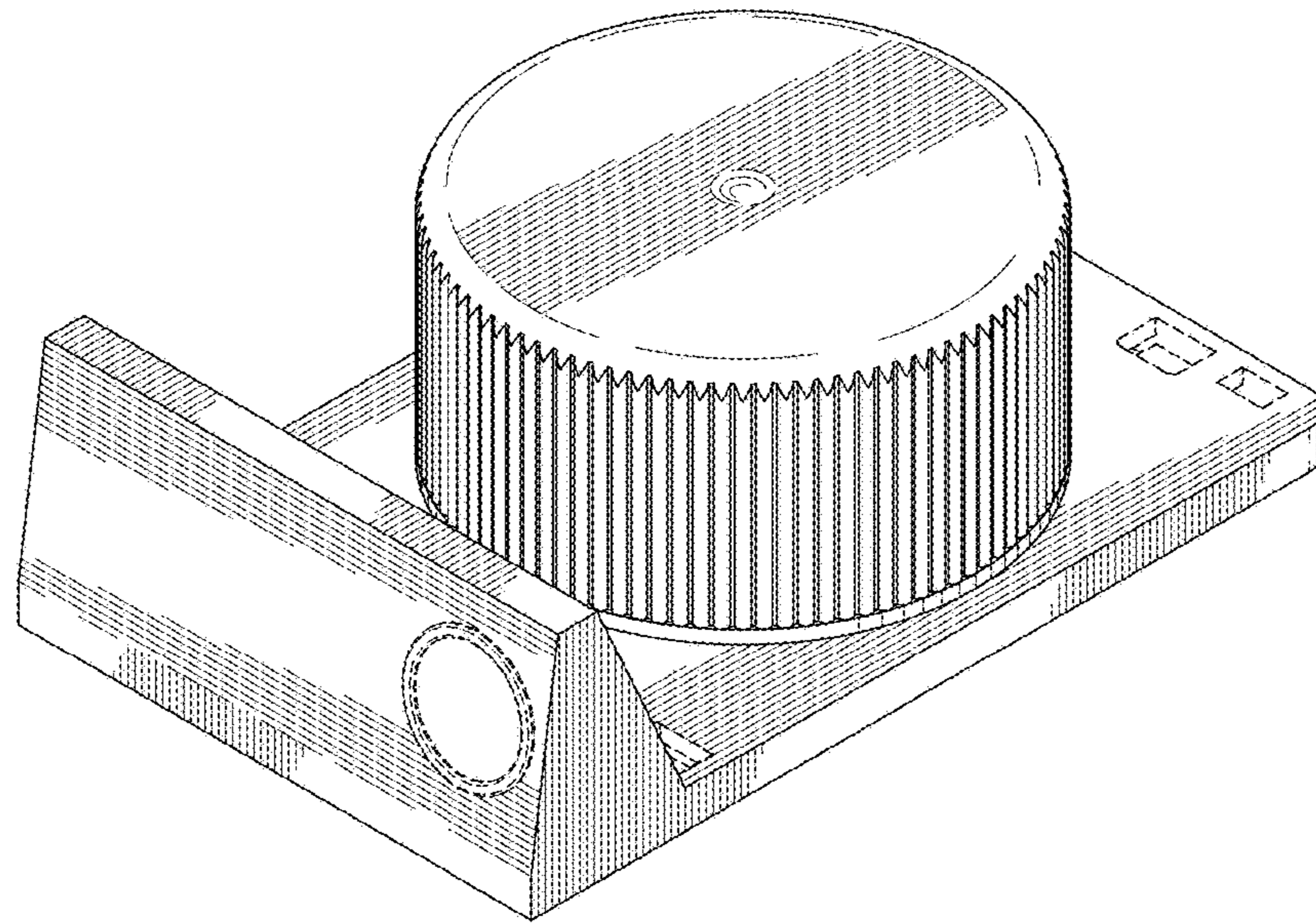


FIG. 1

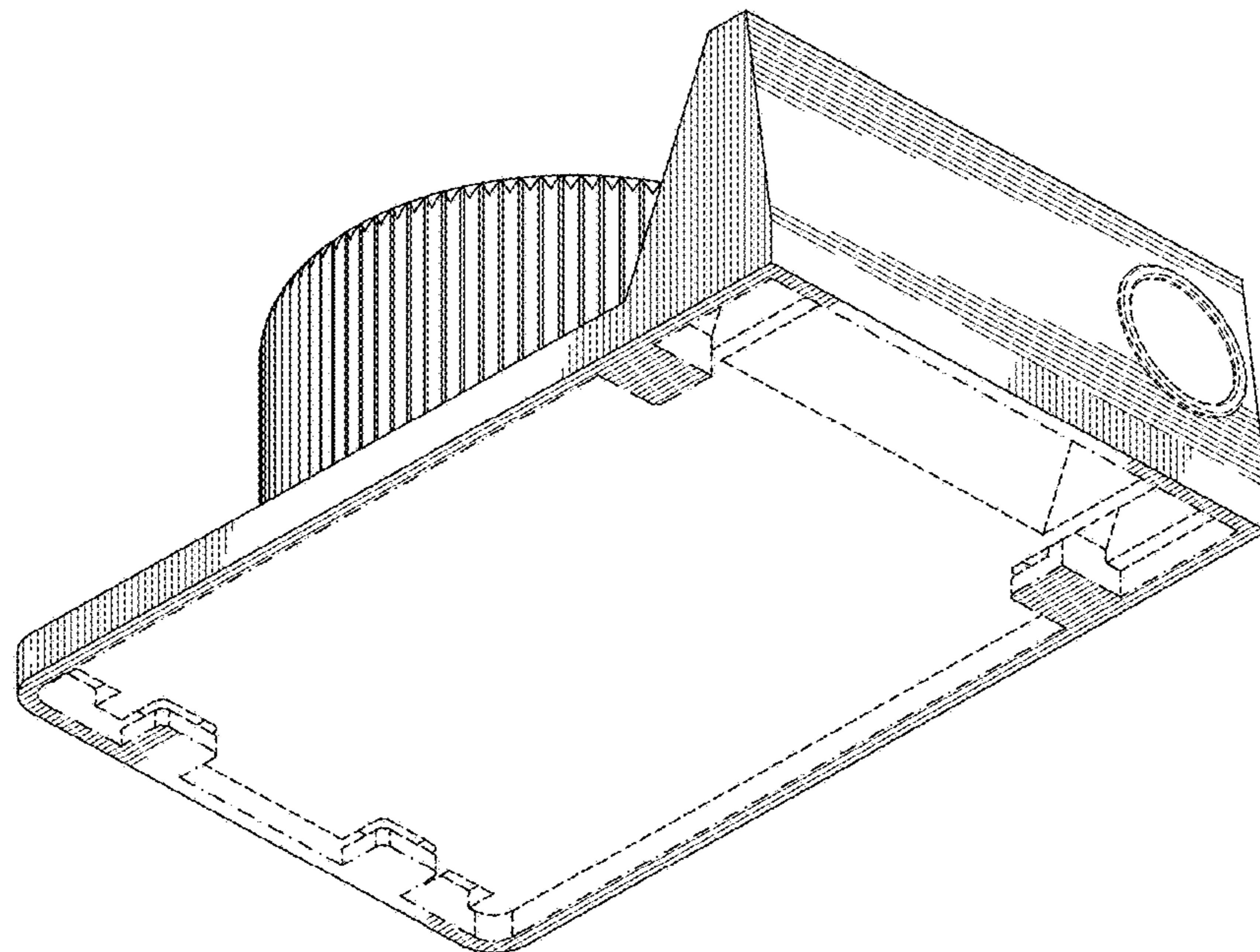


FIG. 2

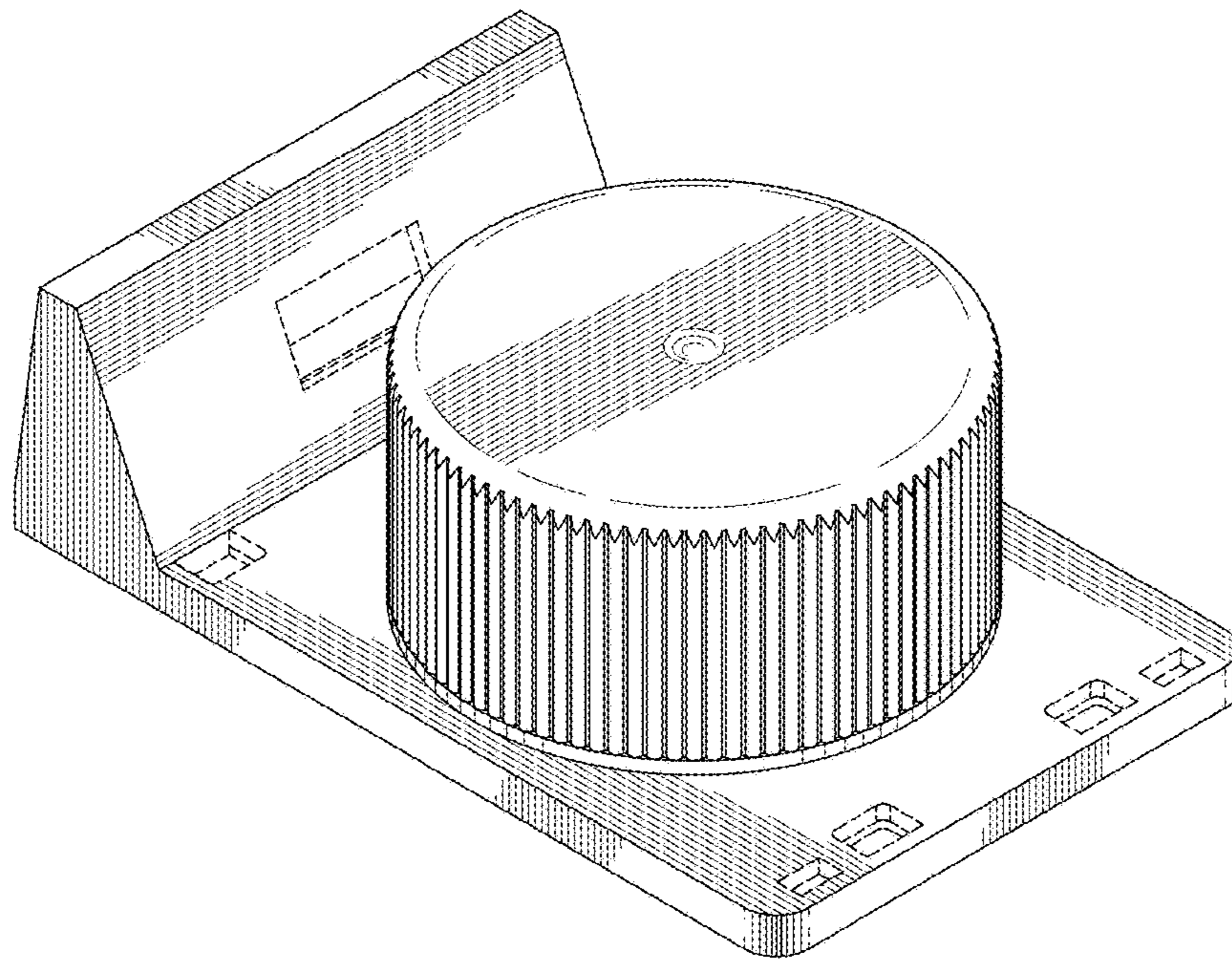


FIG. 3

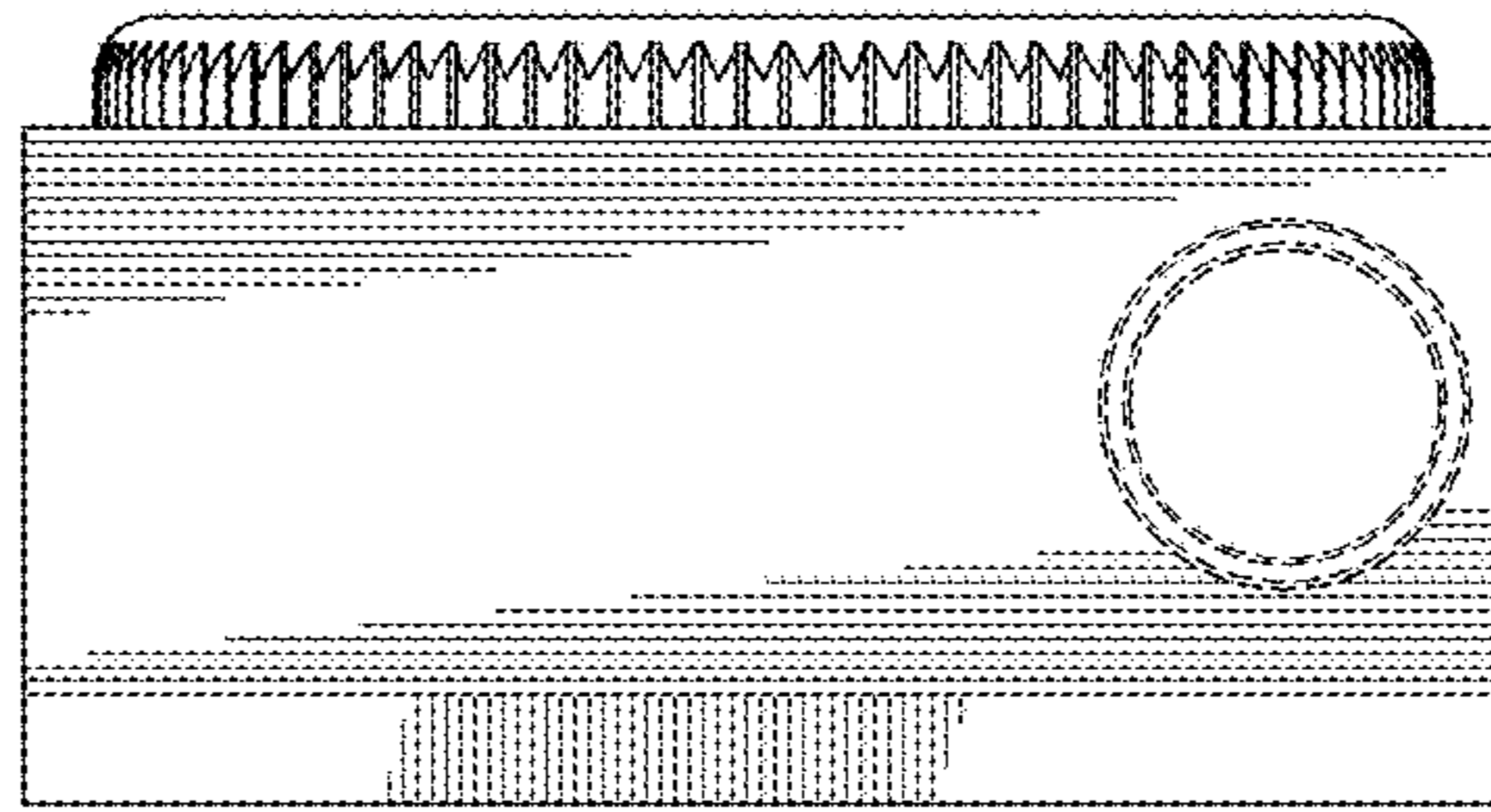


FIG. 4

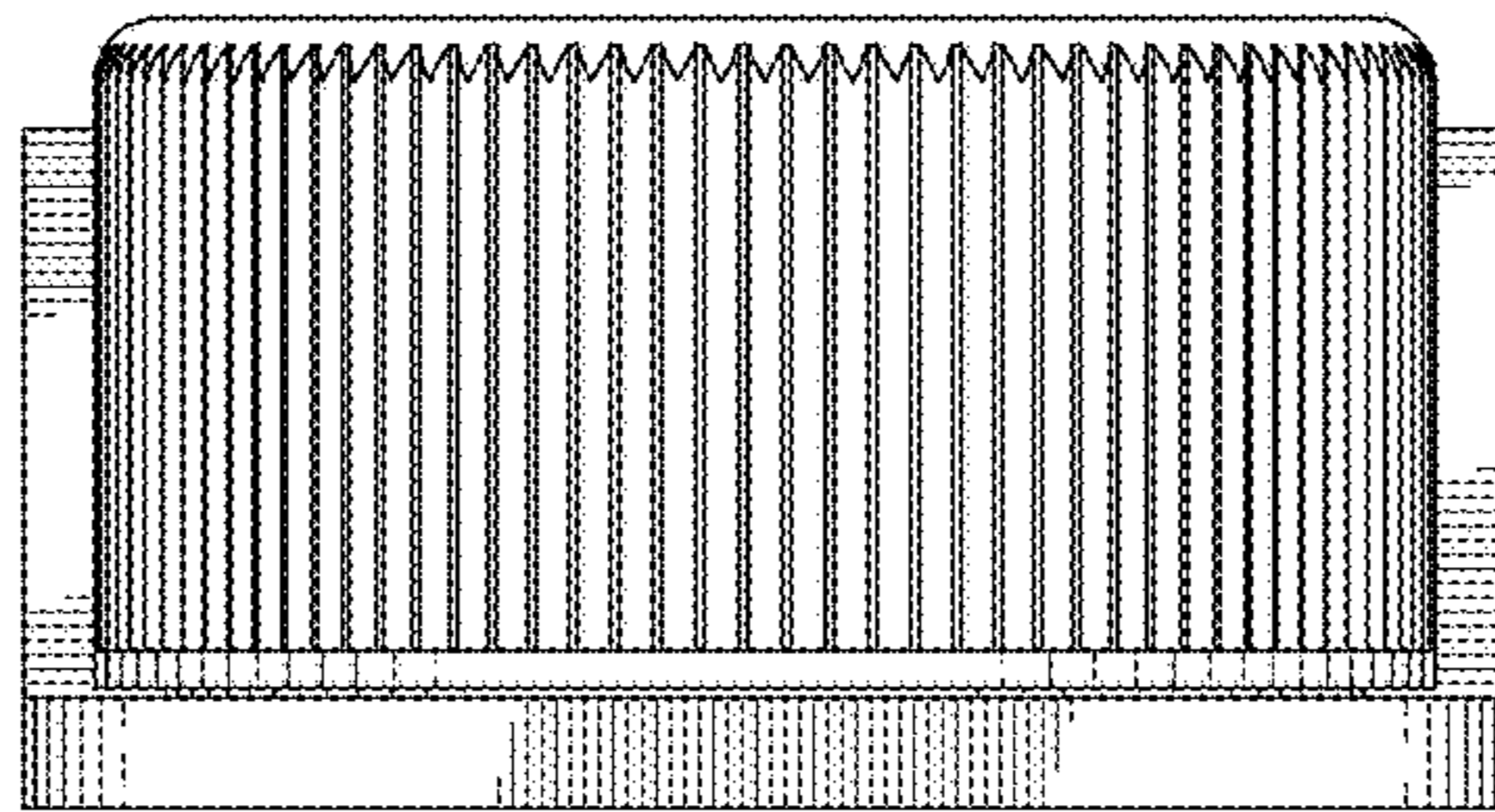


FIG. 5

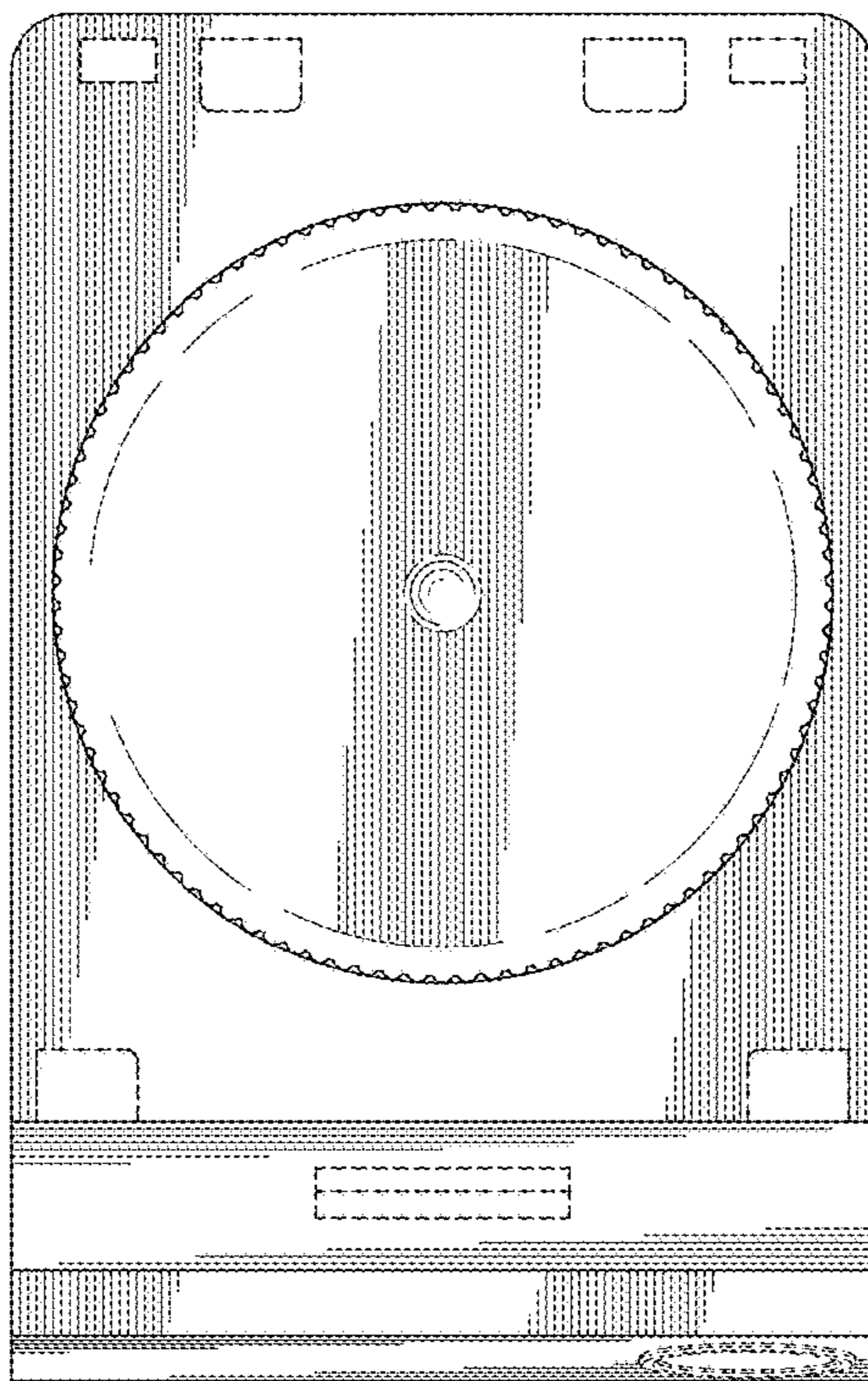


FIG. 6

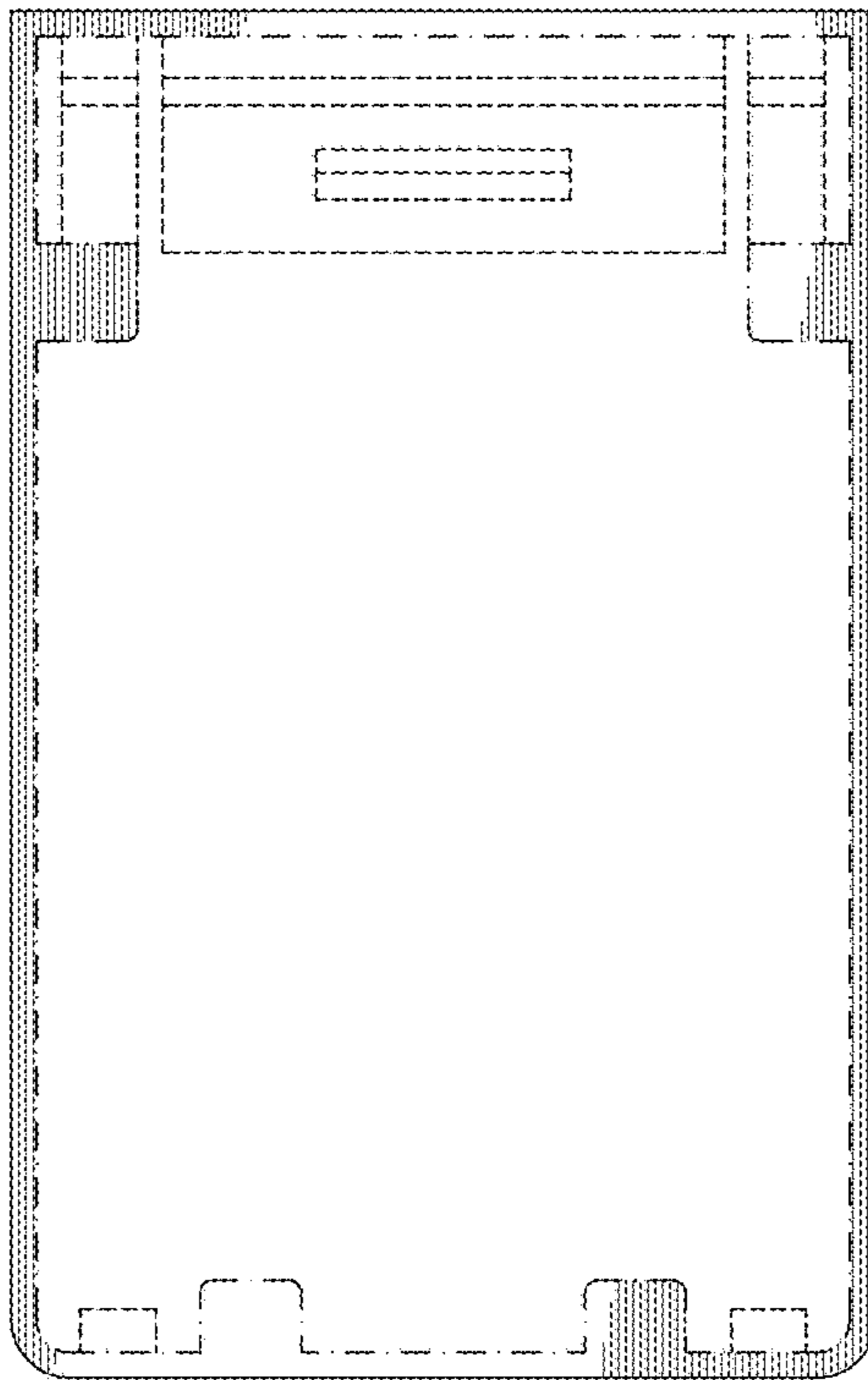


FIG. 7

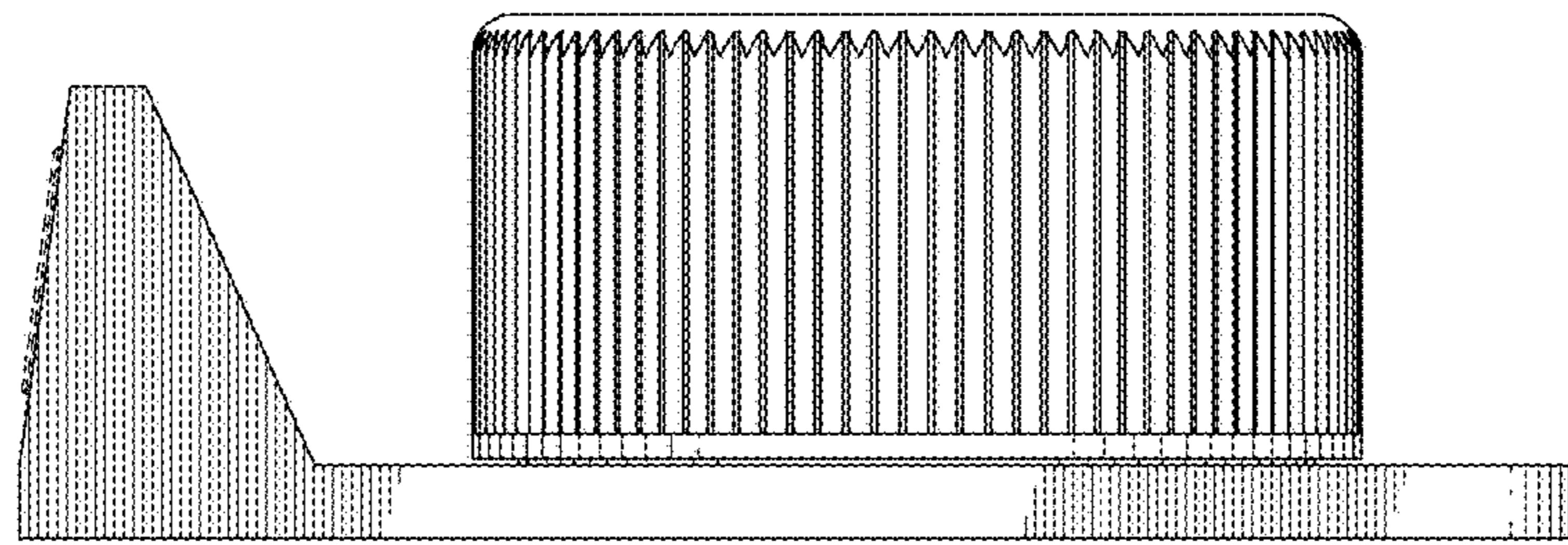


FIG. 1

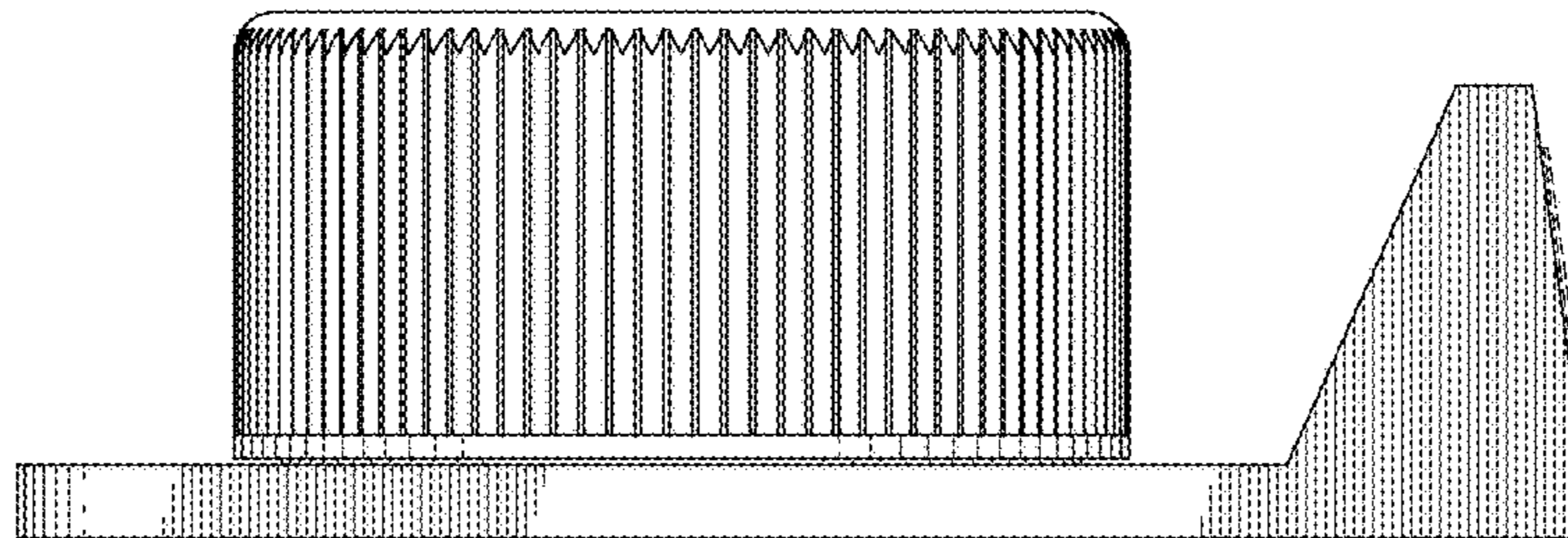


FIG. 2