



US00D848022S

(12) **United States Design Patent**  
**Park et al.**

(10) **Patent No.:** **US D848,022 S**

(45) **Date of Patent:** **\*\* May 7, 2019**

(54) **CONTAINER FOR STORING BIOLOGICAL MATERIAL**

(71) Applicant: **HOPE BIOSCIENCES, LLC**, Sugar Land, TX (US)

(72) Inventors: **Hyeonggeun Park**, Sugar Land, TX (US); **Soyun Chang**, Sugar Land, TX (US)

(73) Assignee: **HOPE BIOSCIENCES, LLC**, Sugar Land, TX (US)

(\*\*) Term: **15 Years**

(21) Appl. No.: **29/610,680**

(22) Filed: **Jul. 14, 2017**

(51) **LOC (11) Cl.** ..... **24-02**

(52) **U.S. Cl.**  
USPC ..... **D24/224**; D9/547; D9/523

(58) **Field of Classification Search**  
USPC ..... D24/107, 121, 133, 216, 222-230, 233; D9/523, 547, 549, 550, 724, 732  
CPC ..... B01F 13/0025; B01J 2219/00292; B01J 2220/64; B01L 3/14; B01L 3/021-3/0237; B01L 3/508-3/50825; B01L 3/52-3/523; G01F 11/02

See application file for complete search history.

(56) **References Cited**

**U.S. PATENT DOCUMENTS**

D214,021 S *	5/1969	Bacialli	.....	D23/211.1
D218,281 S *	8/1970	Diener	.....	D9/523
D229,542 S *	12/1973	Schweizer	.....	D9/523
D247,874 S *	5/1978	Kuypers	.....	D9/523
D358,219 S *	5/1995	Ushikubo	.....	D24/224
D394,987 S *	6/1998	Credle, Jr.	.....	D21/484
D405,014 S *	2/1999	Nask	.....	D9/417
D505,076 S *	5/2005	Logan	.....	D9/528
D558,577 S *	1/2008	Pettigrew	.....	D9/417
D581,797 S *	12/2008	Calvo	.....	D9/523

D586,656 S *	2/2009	Mount	.....	D9/417
7,807,461 B2	10/2010	Kang et al.		
D706,945 S *	6/2014	Chan	.....	D24/216
9,403,629 B2 *	8/2016	Accurso	.....	B65D 55/14
D770,637 S *	11/2016	Pansare	.....	D24/224
D784,552 S *	4/2017	Onishi	.....	D24/224
D788,588 S *	6/2017	Heisner	.....	D9/523

(Continued)

**FOREIGN PATENT DOCUMENTS**

WO	2007123363 A1	11/2007
WO	2013032052 A1	3/2013

**OTHER PUBLICATIONS**

Max 2 Stroke Oil—1 Litre Bottle. [online] Published on Jun. 23, 2017. Retrieved Jul. 23, 2018 from URL: <https://www.cmt.co.uk/2-stroke-oil-1-litre-bottle>.\*

(Continued)

*Primary Examiner* — Vy N Koenig

(74) *Attorney, Agent, or Firm* — Rao DeBoer Osterrieder, PLLC; Dileep P. Rao

(57) **CLAIM**

The ornamental design for a container for storing biological material, as shown and described.

**DESCRIPTION**

FIG. 1 is a right side elevation view of a container for storing biological materials showing our new design.

FIG. 2 is a front elevation view thereof.

FIG. 3 is a left side elevation view thereof.

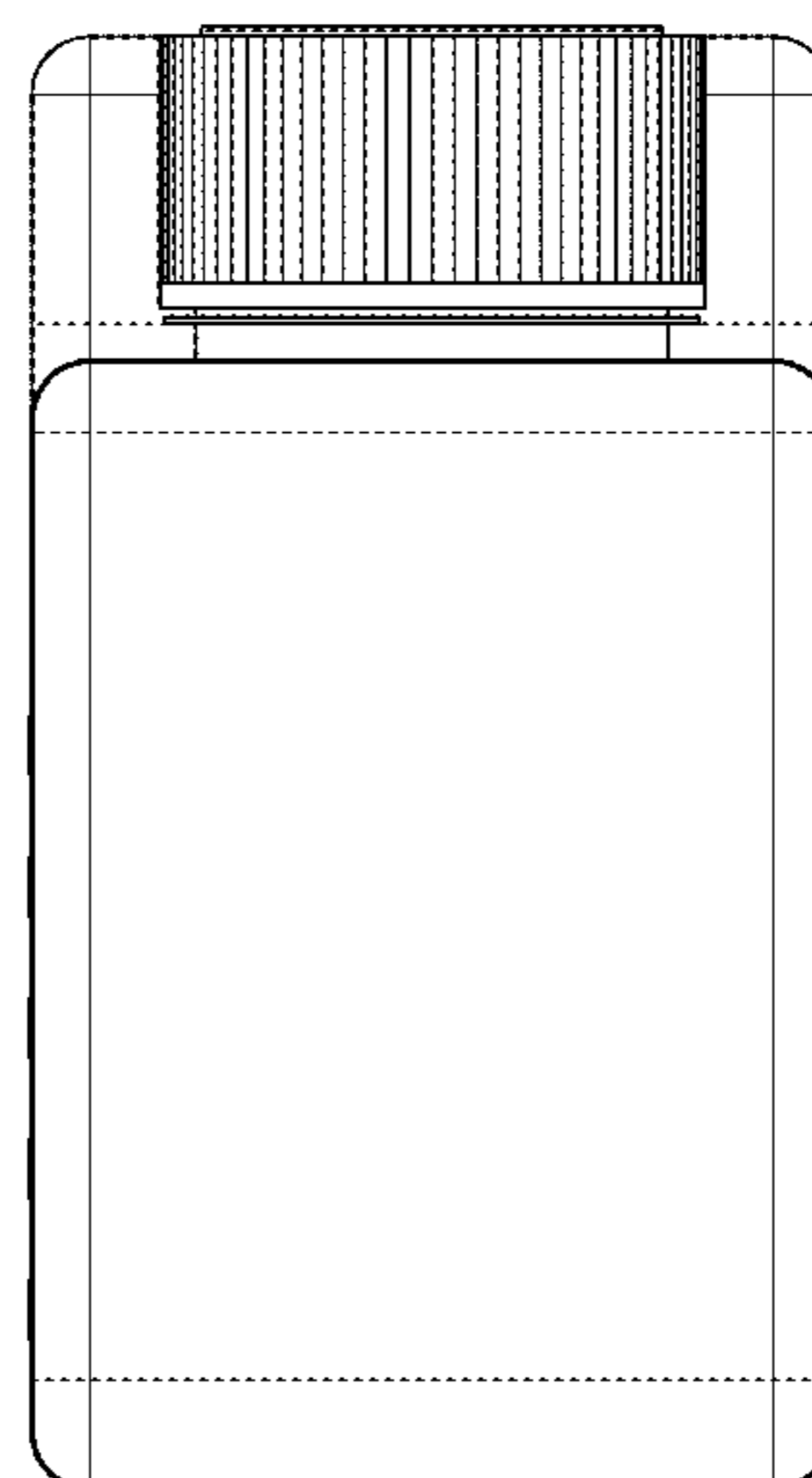
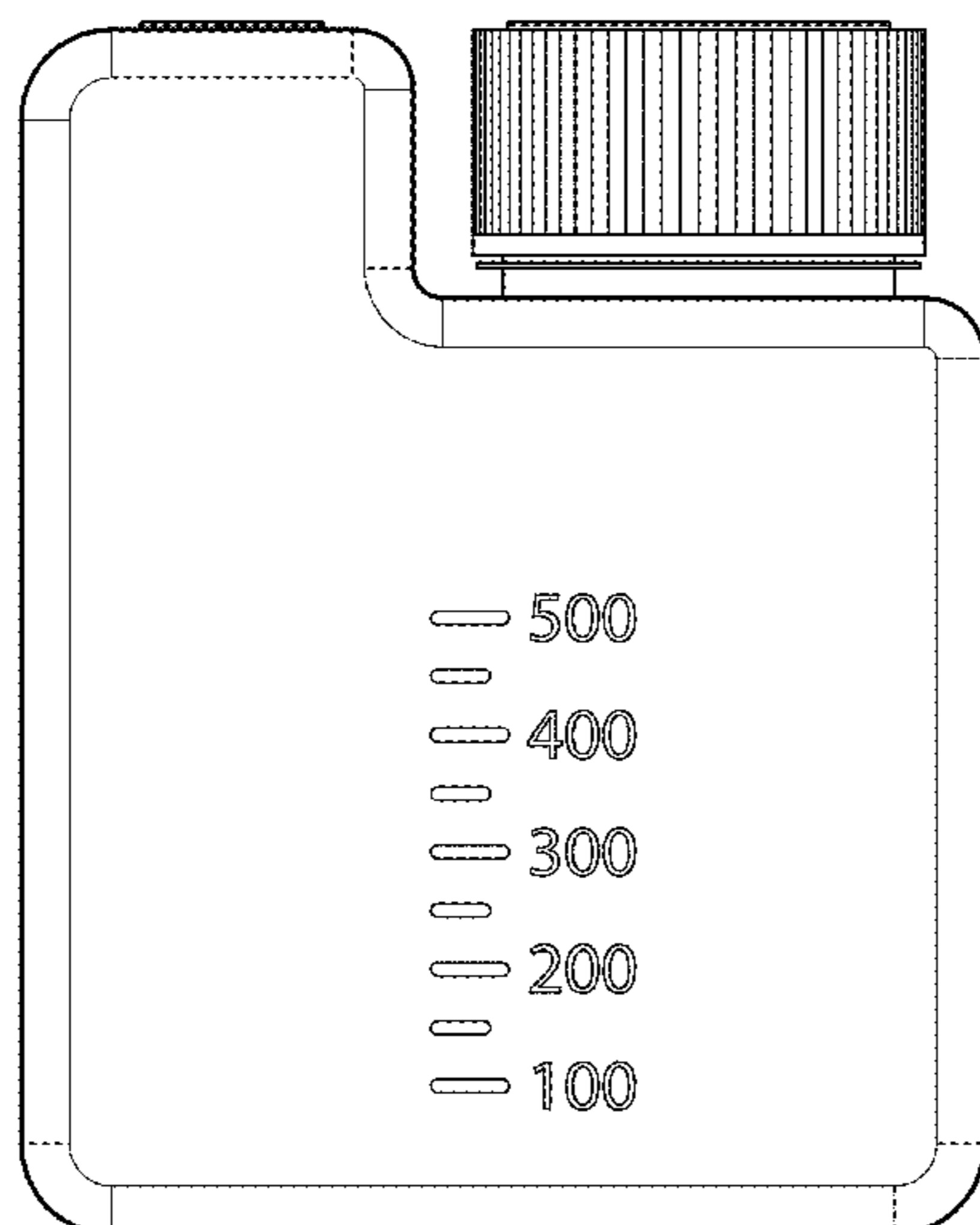
FIG. 4 is a rear elevation view thereof.

FIG. 5 is a top plan view thereof; and,

FIG. 6 is a bottom plan view thereof.

The broken lines in the drawings depict portions of the container for storing biological material that form no part of the claimed design.

**1 Claim, 3 Drawing Sheets**



(56)

**References Cited**

U.S. PATENT DOCUMENTS

D814,303 S \* 4/2018 Ascherl ..... D9/523  
2013/0089928 A1 4/2013 An et al.

OTHER PUBLICATIONS

Oil Ipone Samurai Bottle 4L + 1 liter 5L 2-Cycle Oil 100% synthesis  
2 Time. [online] Published on Apr. 10, 2015. Retrieved Jul. 6, 2018  
from URL: <https://picclick.com/Oil-IPONE-SAMURAI-Bottle-4L-1-liter-272103457854.html#&gid=1&pid=1>.\*

Wager, et al. Replicative Senescence of Mesenchymal Stem Cells:  
A Continuous and Organized Process, PLoS ONE. 3(5):e2213  
(2008).

\* cited by examiner

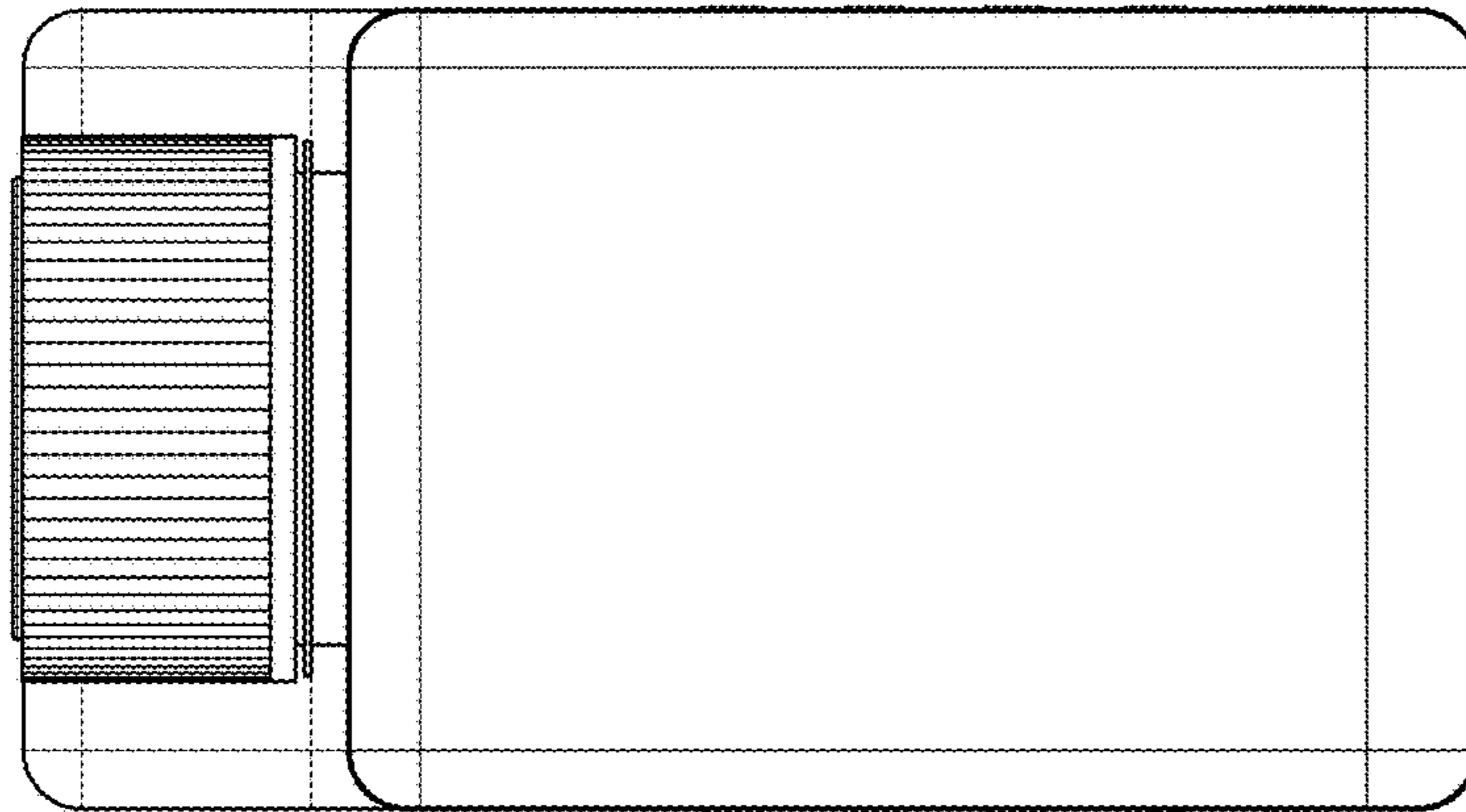


FIG. 2

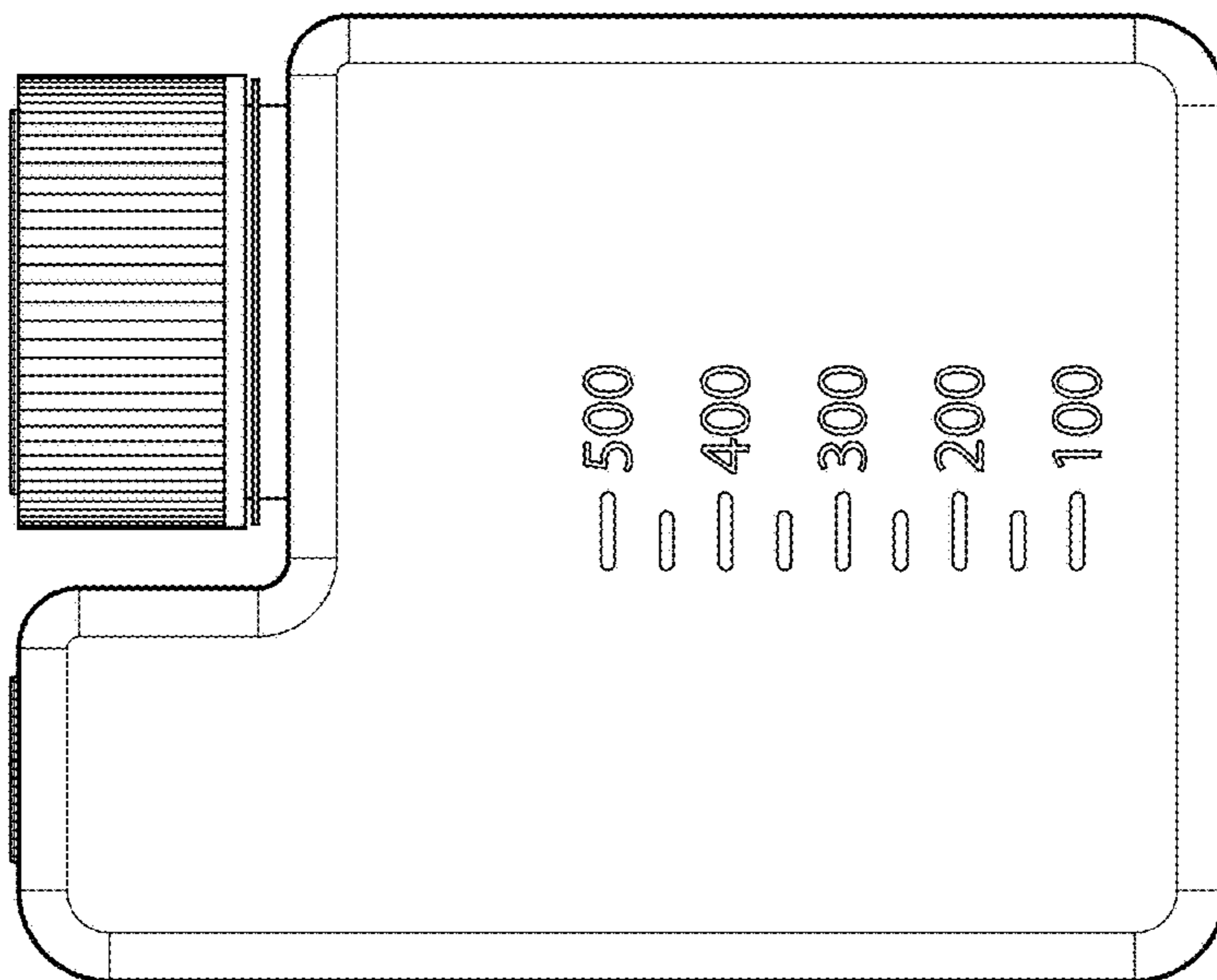


FIG. 1

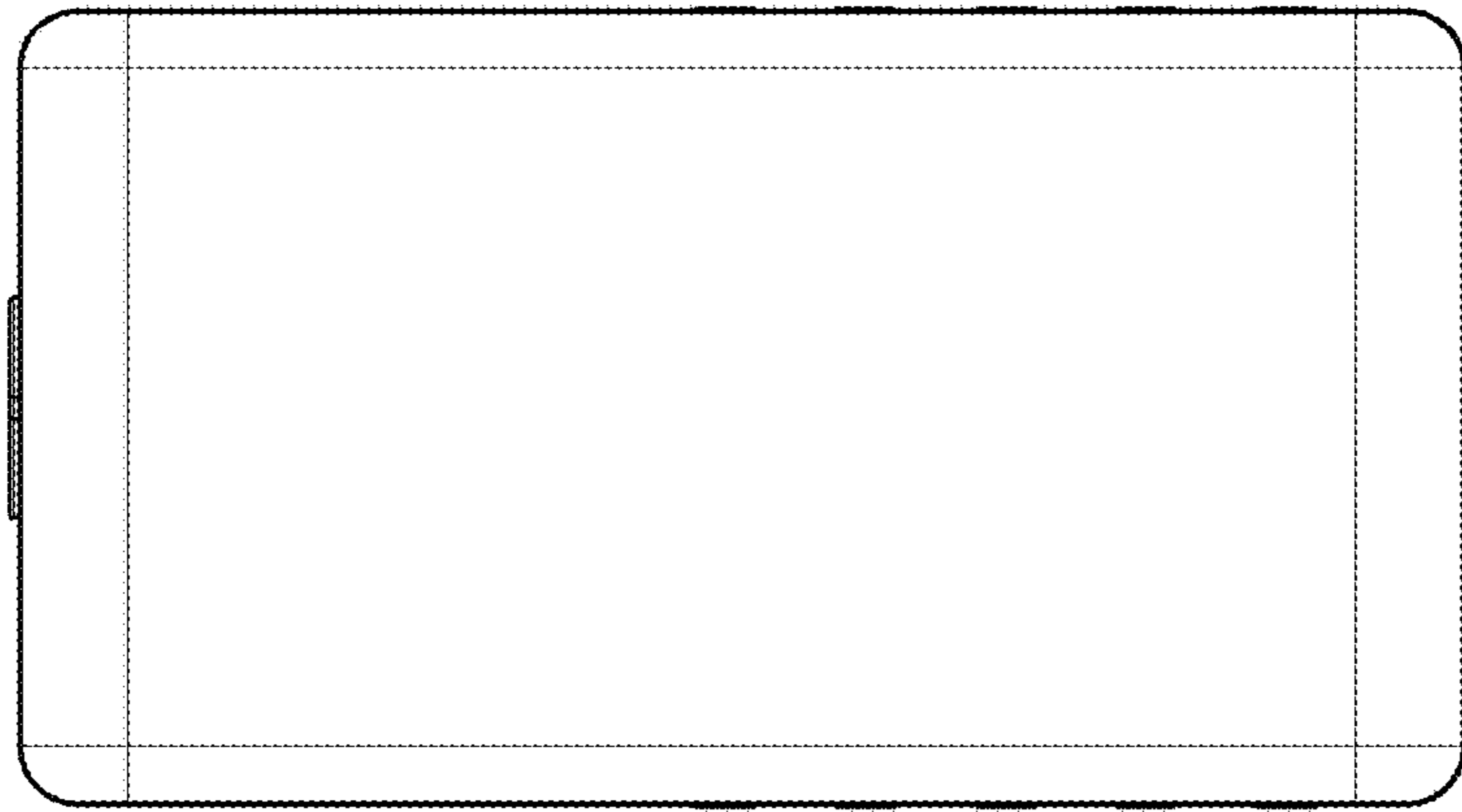


FIG. 4

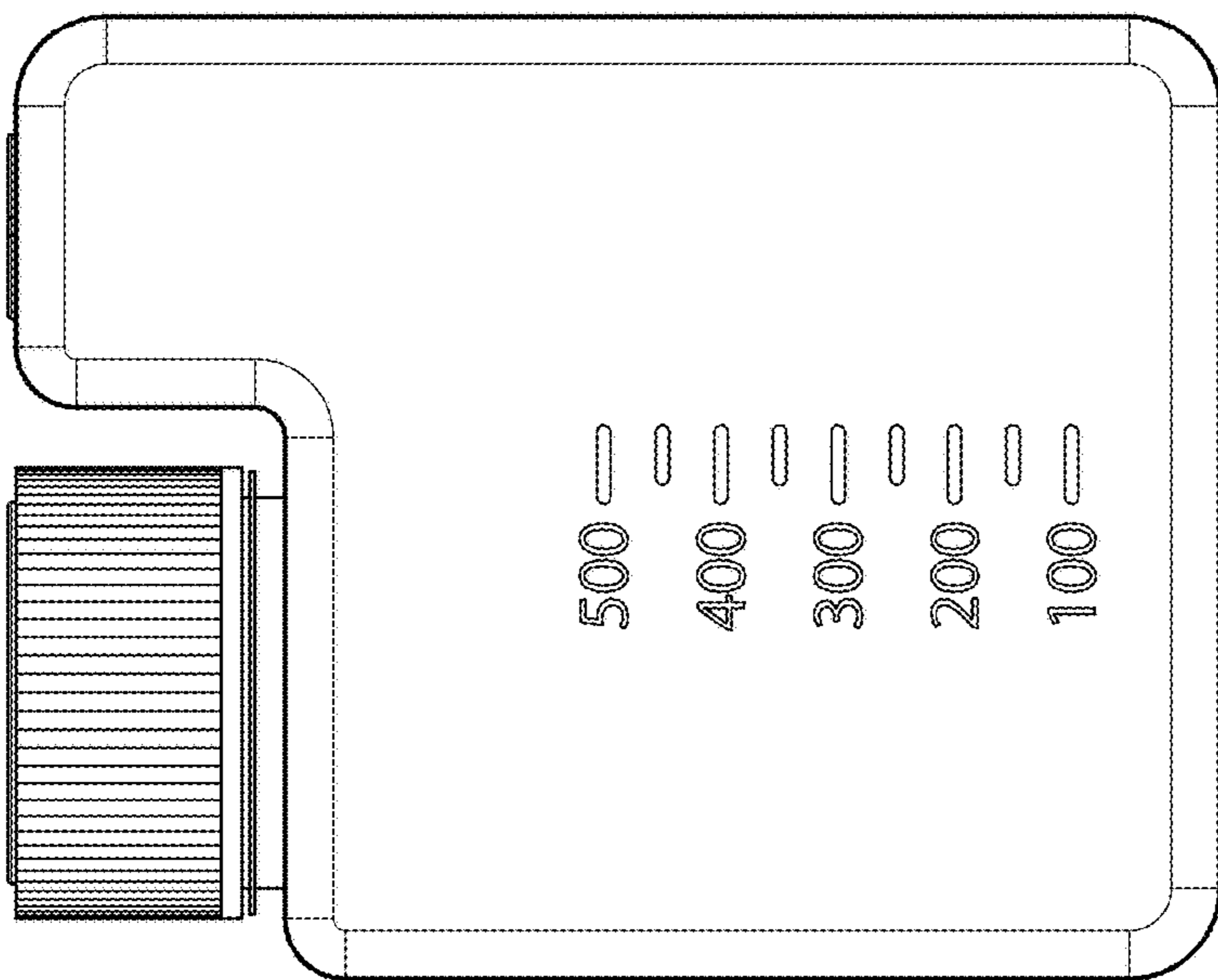
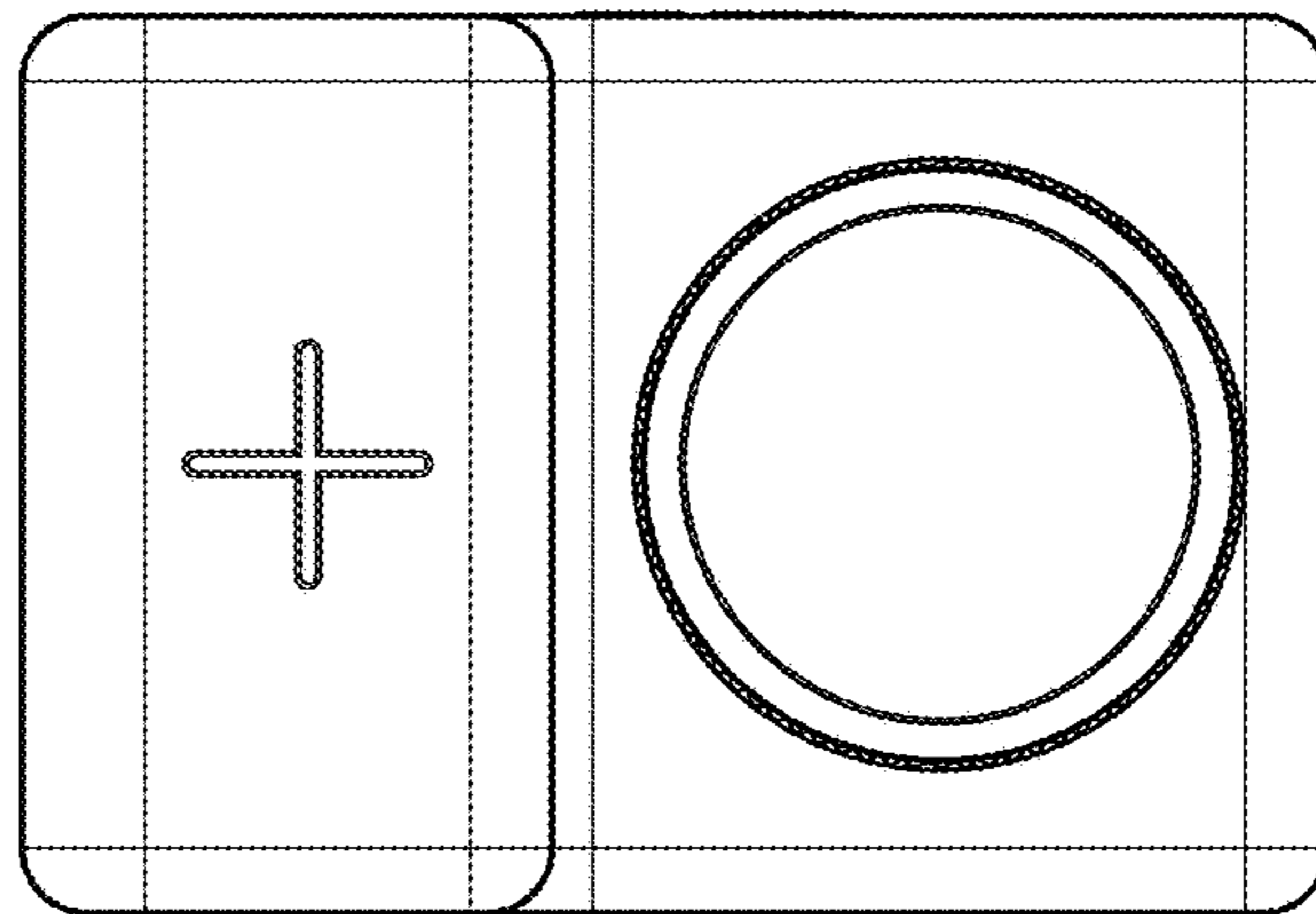


FIG. 3



**FIG. 5**

**FIG. 6**

