



US00D848020S

(12) **United States Design Patent** (10) **Patent No.:** **US D848,020 S**
Kobeli et al. (45) **Date of Patent:** **** May 7, 2019**

(54) **SEQUENCING OR SAMPLE PREPARATION INSTRUMENT**

Primary Examiner — Anhdao Doan
(74) *Attorney, Agent, or Firm* — Weaver Austin Villeneuve & Sampson LLP

(71) Applicants: **ILLUMINA, INC.**, San Diego, CA (US); **ILLUMINA, SINGAPORE PTE. LTD.**, Singapore (SG)

(72) Inventors: **Lea Sandra Kobeli**, San Francisco, CA (US); **Scott Michael Janis**, El Cerrito, CA (US); **Jay T. Flatley**, San Diego, CA (US); **Yulin Ye**, San Diego, CA (US); **Brian Elliot Sinofsky**, Escondido, CA (US); **Beng Keong Ang**, Singapore (SG); **Erik Allegoren**, San Diego, CA (US); **Anna Skaro Quackenbush**, San Diego, CA (US)

(57) **CLAIM**

We claim the ornamental design for an sequencing or sample preparation instrument, as shown and described.

(73) Assignees: **Illumina, Inc.**, San Diego, CA (US); **Illumina, Singapore Pte. Ltd.**, Singapore (SG)

DESCRIPTION

(**) Term: **15 Years**

FIG. 1 is an isometric view of an sequencing or sample preparation instrument showing the top, right side, and front of the analysis unit.

(21) Appl. No.: **29/617,029**

FIG. 2 is a front view of the sequencing or sample preparation instrument.

(22) Filed: **Sep. 11, 2017**

FIG. 3 is a rear view of the sequencing or sample preparation instrument.

(51) **LOC (11) Cl.** **24-01**

FIG. 4 is a right side view of the sequencing or sample preparation instrument.

(52) **U.S. Cl.**
USPC **D24/216**

FIG. 5 is a left side view of the sequencing or sample preparation instrument.

(58) **Field of Classification Search**
USPC D24/216–219, 231, 232, 233, 107, 169, D24/186; D10/81

FIG. 6 is a bottom view of the sequencing or sample preparation instrument.

(Continued)

FIG. 7 is a top view of the sequencing or sample preparation instrument.

(56) **References Cited**

FIG. 8 is an isometric view of the sequencing or sample preparation instrument showing the left, rear, and top of the analysis unit.

U.S. PATENT DOCUMENTS

6,207,421 B1 3/2001 Middendorf et al.
D542,931 S 5/2007 Pukall et al.

(Continued)

FIG. 9 is an isometric view of the sequencing or sample preparation instrument with the tablet interface folded flat against the top of the analysis unit; and,

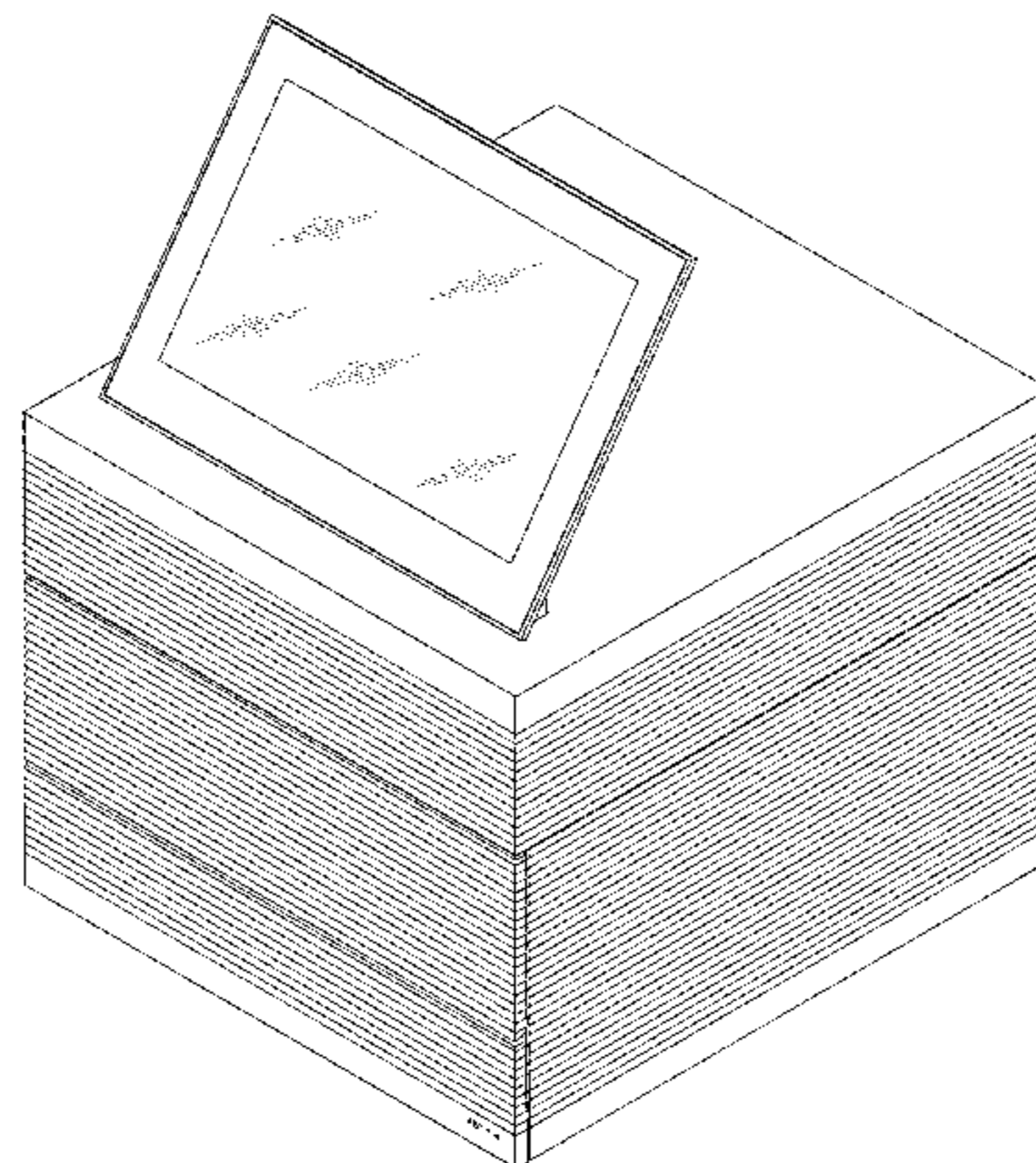
OTHER PUBLICATIONS

Prior Art Statement, dated Jul. 20, 2016, 1 pg.
U.S. Appl. No. 29/581,054, filed Oct. 14, 2016, Kobeli et al.

FIG. 10 is a right side view of the sequencing or sample preparation instrument.

The broken lines immediately adjacent the shaded areas represent the bounds of the claim, while all other broken lines are directed to environment and are for illustrative purposes only; the broken lines form no part of the claimed design.

1 Claim, 10 Drawing Sheets



(58) **Field of Classification Search**

CPC G01N 2035/00306; G01N 2035/00326;
G01N 2035/00336; G01N 2030/027;
G01N 35/1085; G01N 2021/6432; C12Q
1/6869; C12Q 1/6806

See application file for complete search history.

(56) **References Cited**

U.S. PATENT DOCUMENTS

D588,276	S	3/2009	Isozaki et al.	
D687,561	S	8/2013	Iseki	
D717,460	S	11/2014	Manian	
D719,666	S	12/2014	Manian	
D719,667	S	12/2014	Manian	
D729,405	S	5/2015	Ramstad et al.	
D737,459	S	8/2015	Kurihara et al.	
D751,728	S	3/2016	Latorraca et al.	
D759,519	S *	6/2016	Apotheloz	D24/232
D761,142	S *	7/2016	Golta	D24/216
D774,659	S *	12/2016	Quackenbush	D24/216
D817,509	S *	5/2018	McMullin	D24/216
2010/0267049	A1	10/2010	Rutter et al.	
2018/0100182	A1 *	4/2018	Mulakapurath Narayanan	
				C12Q 1/6806

* cited by examiner

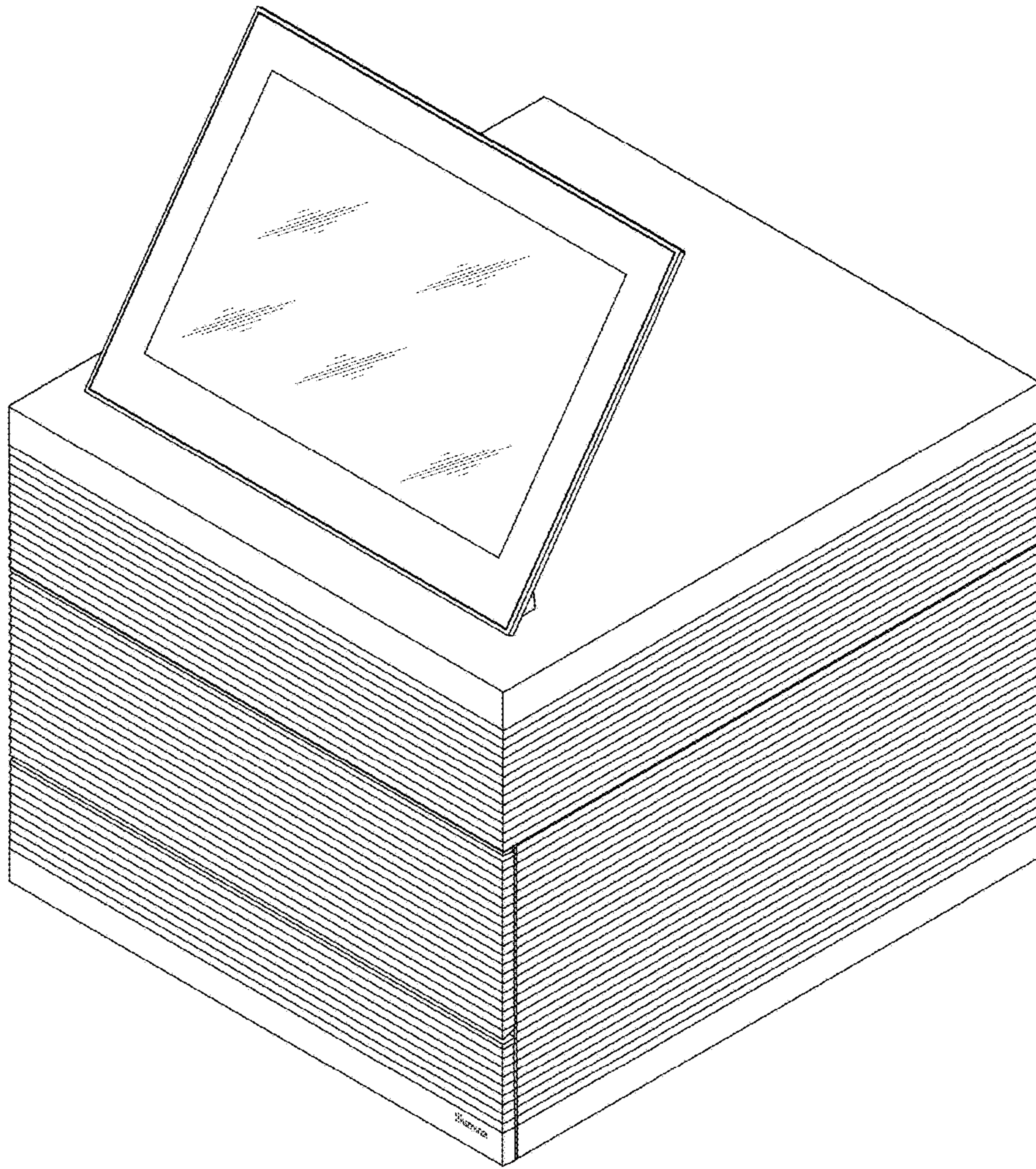


Fig. 1

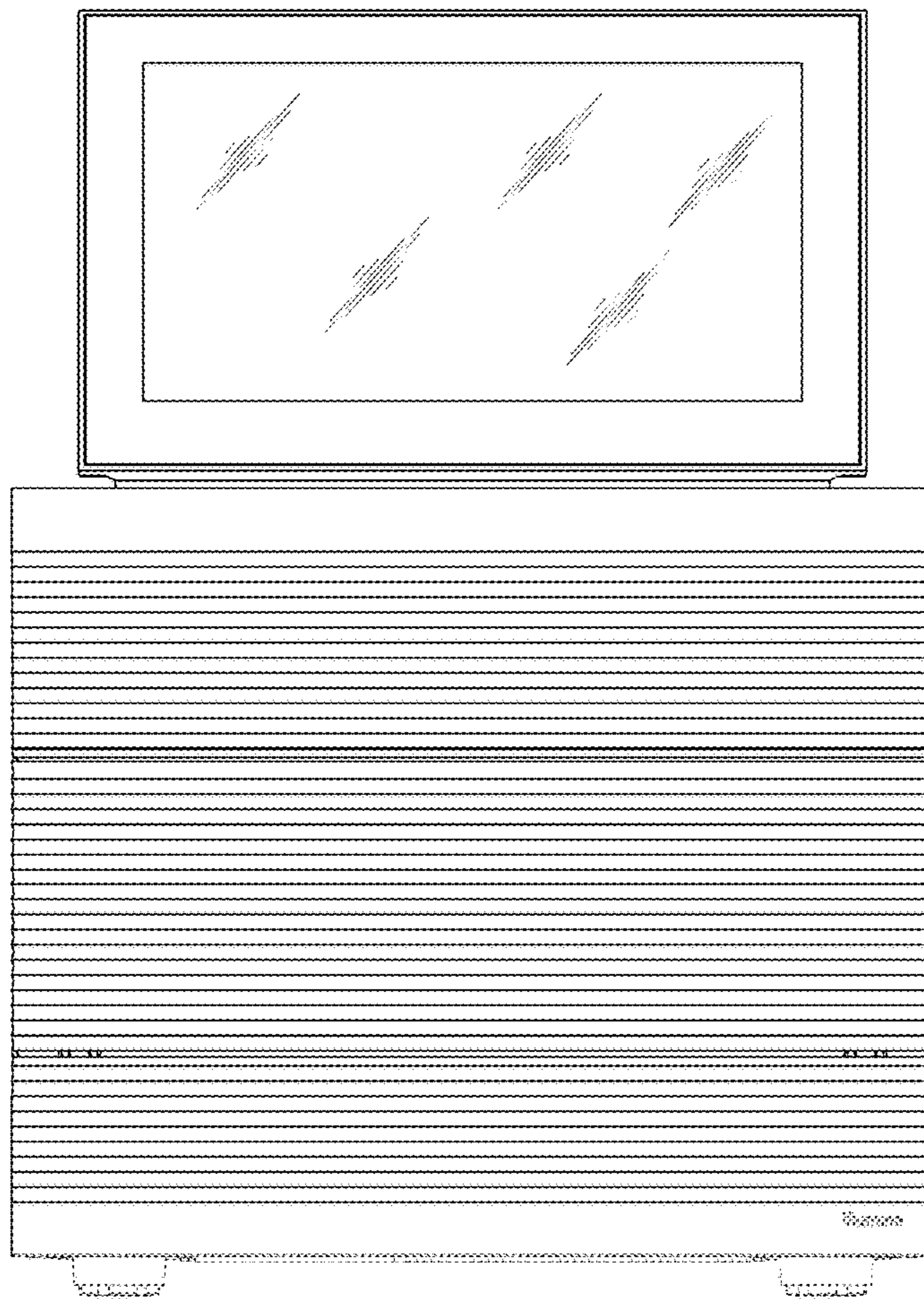


Fig. 2

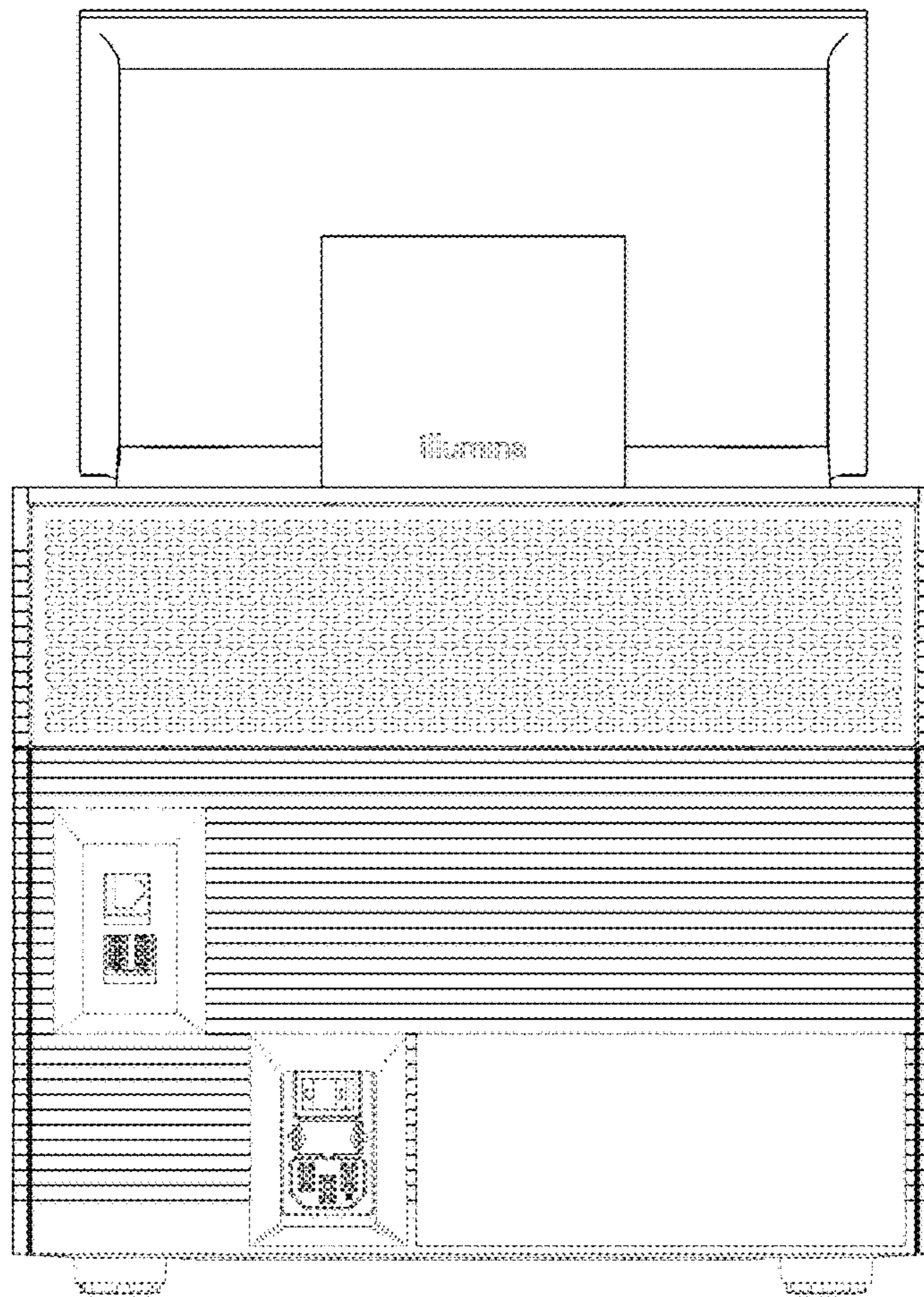


Fig. 3

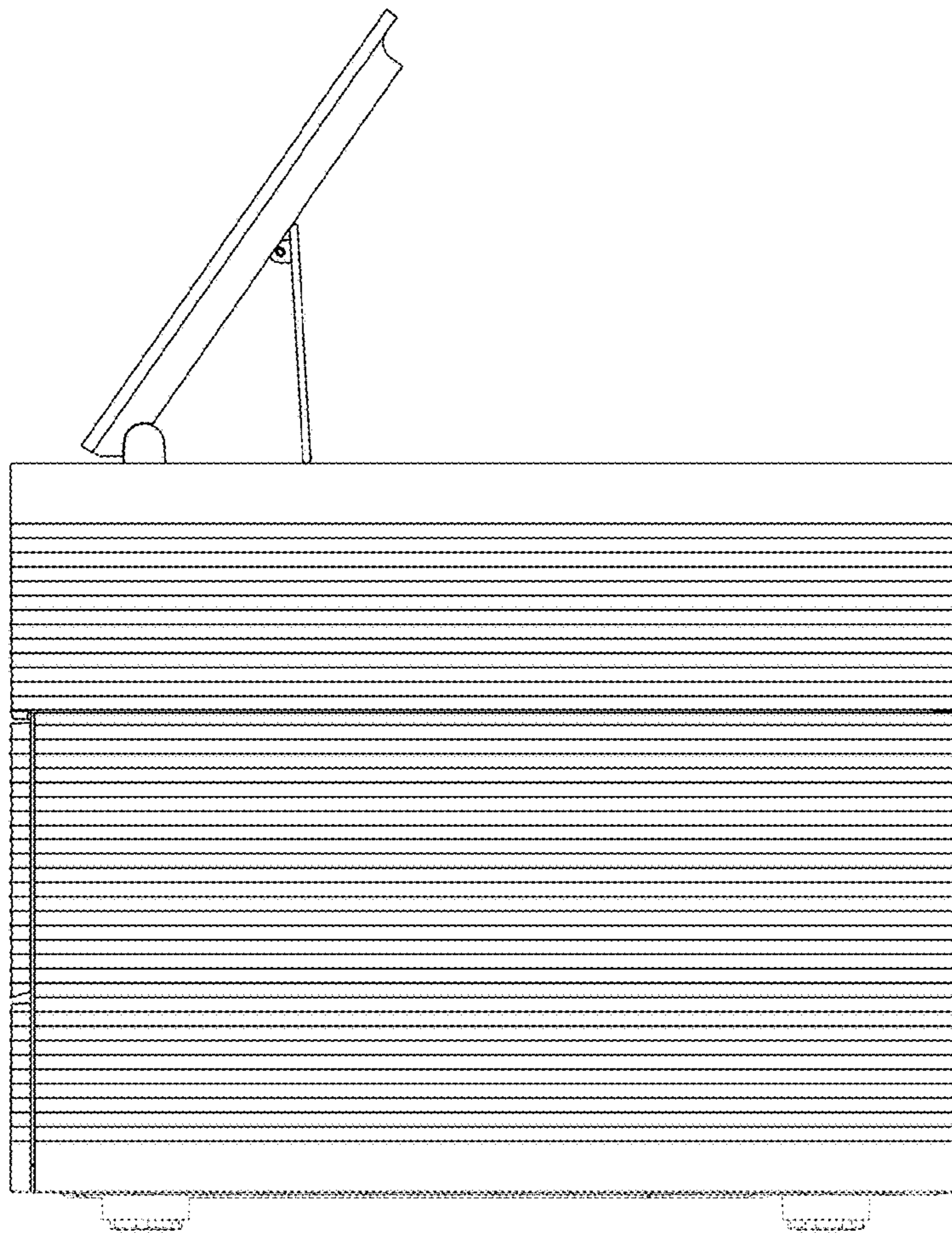


Fig. 4

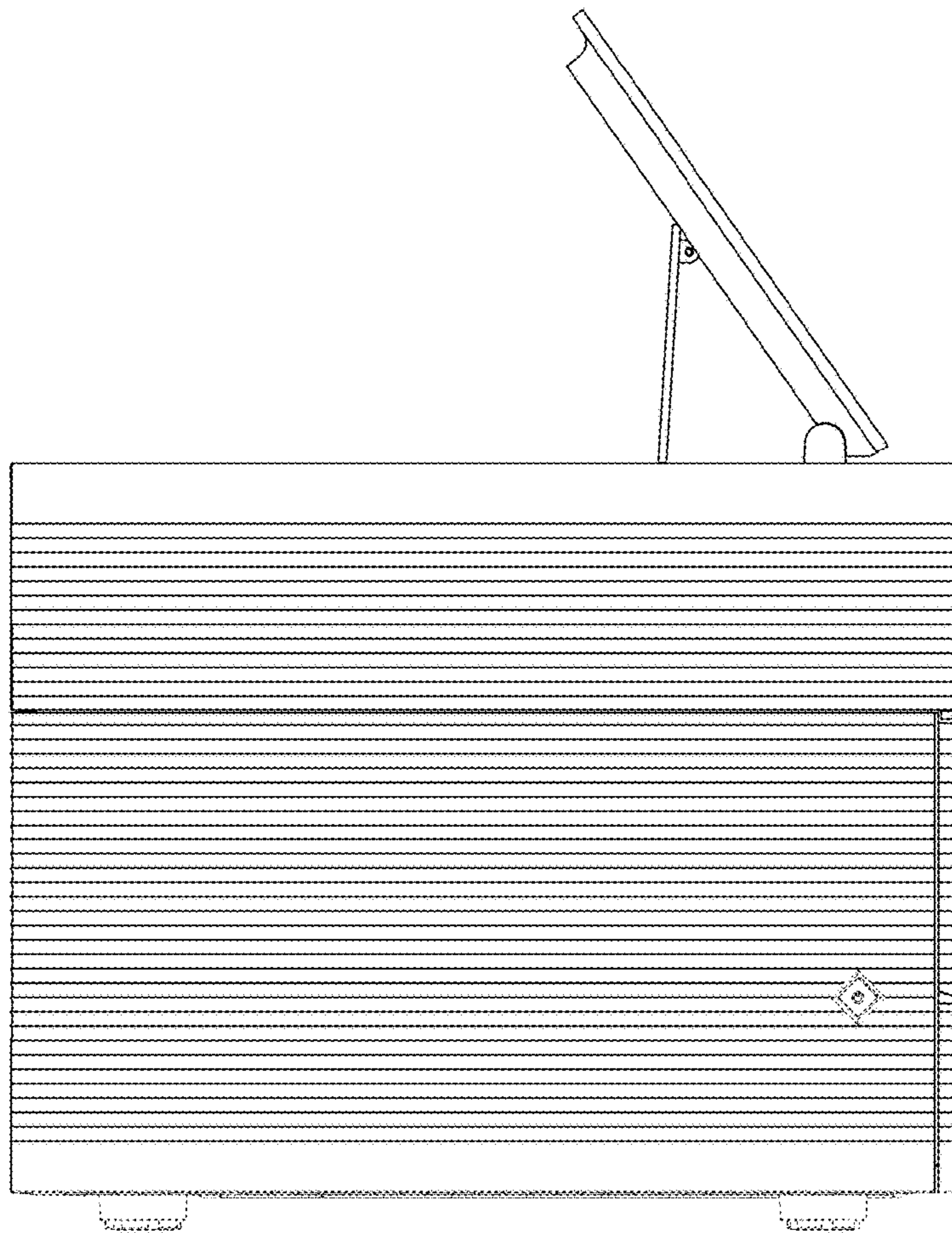


Fig. 5

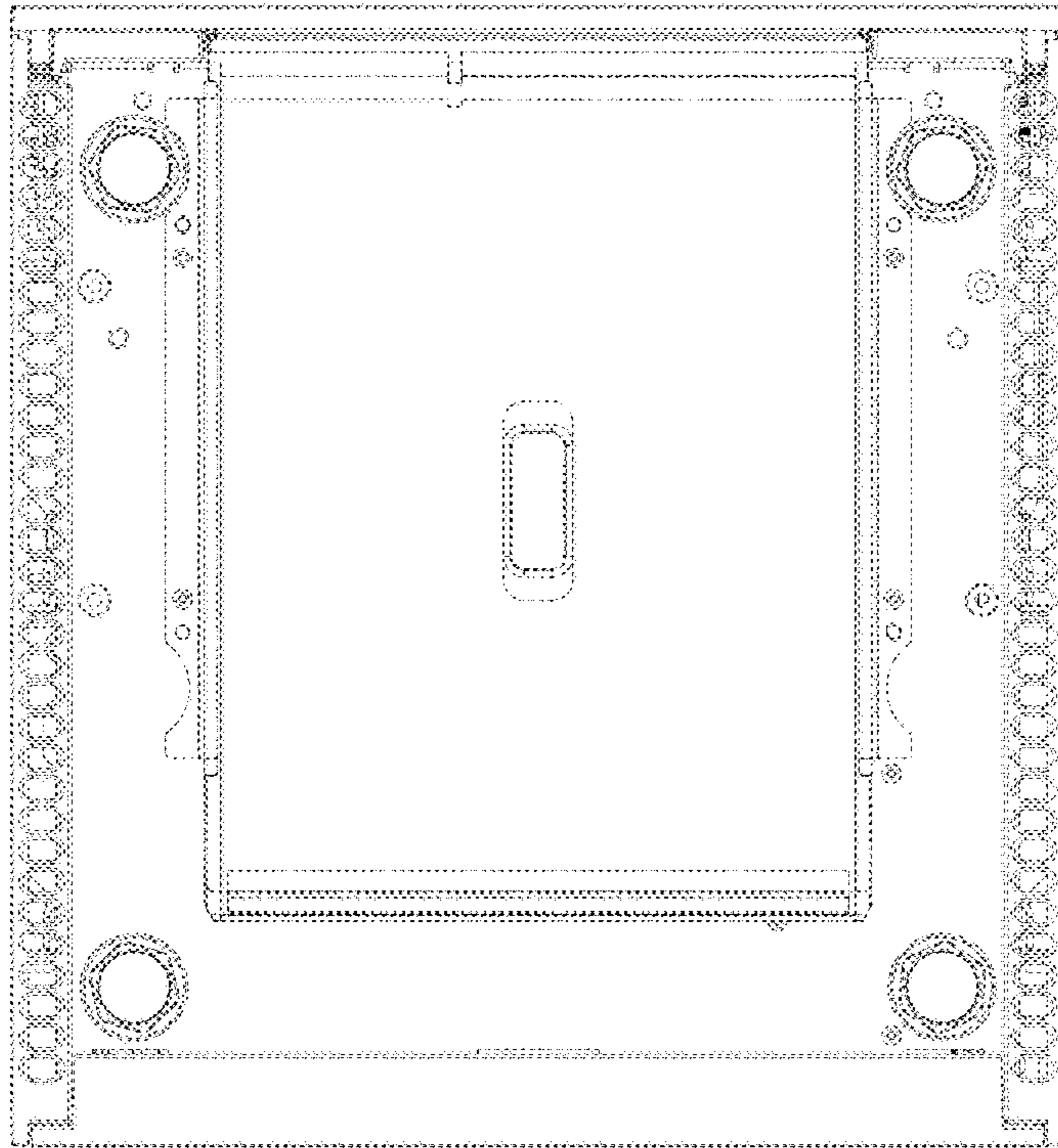


Fig. 6

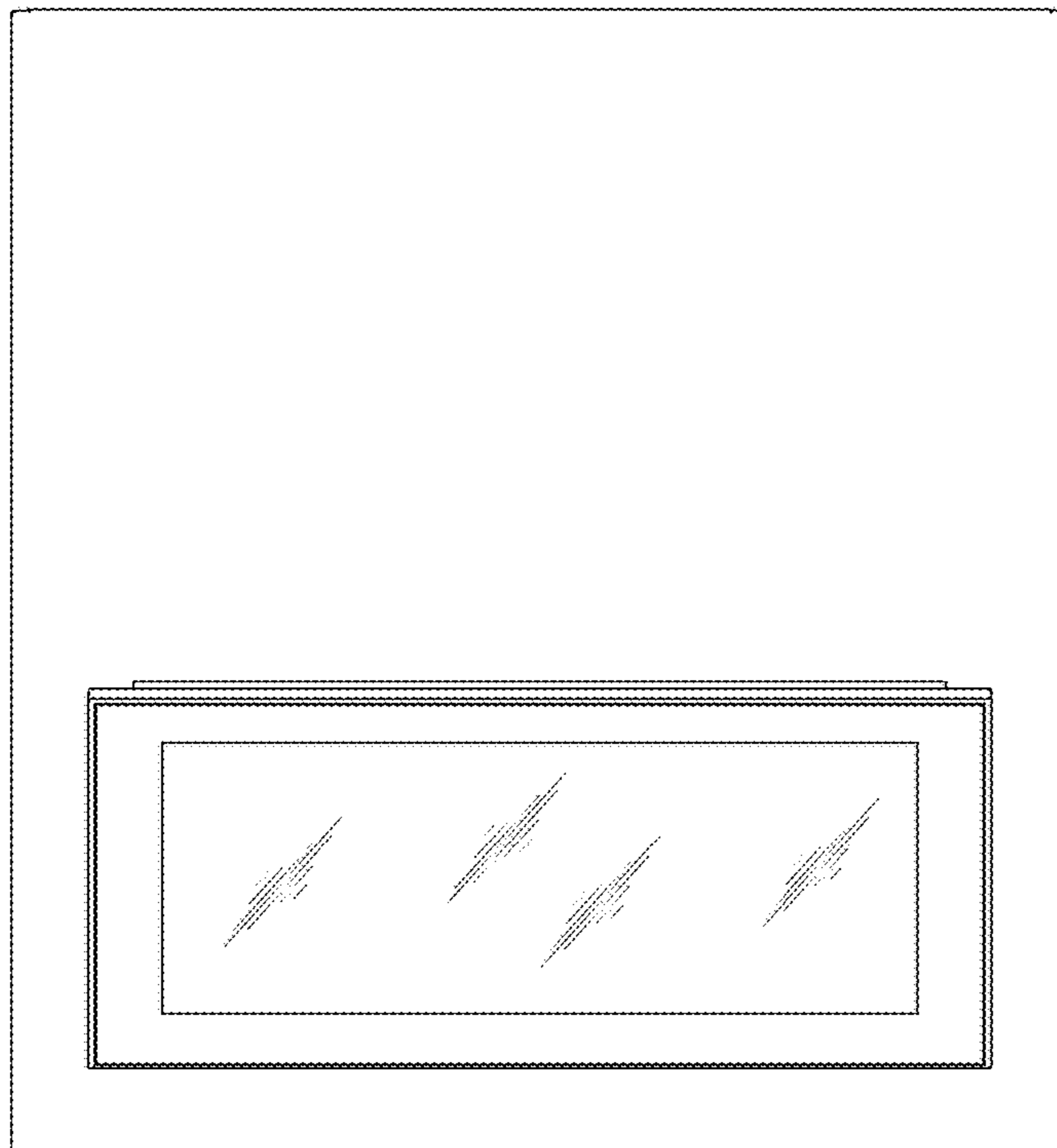


Fig. 7

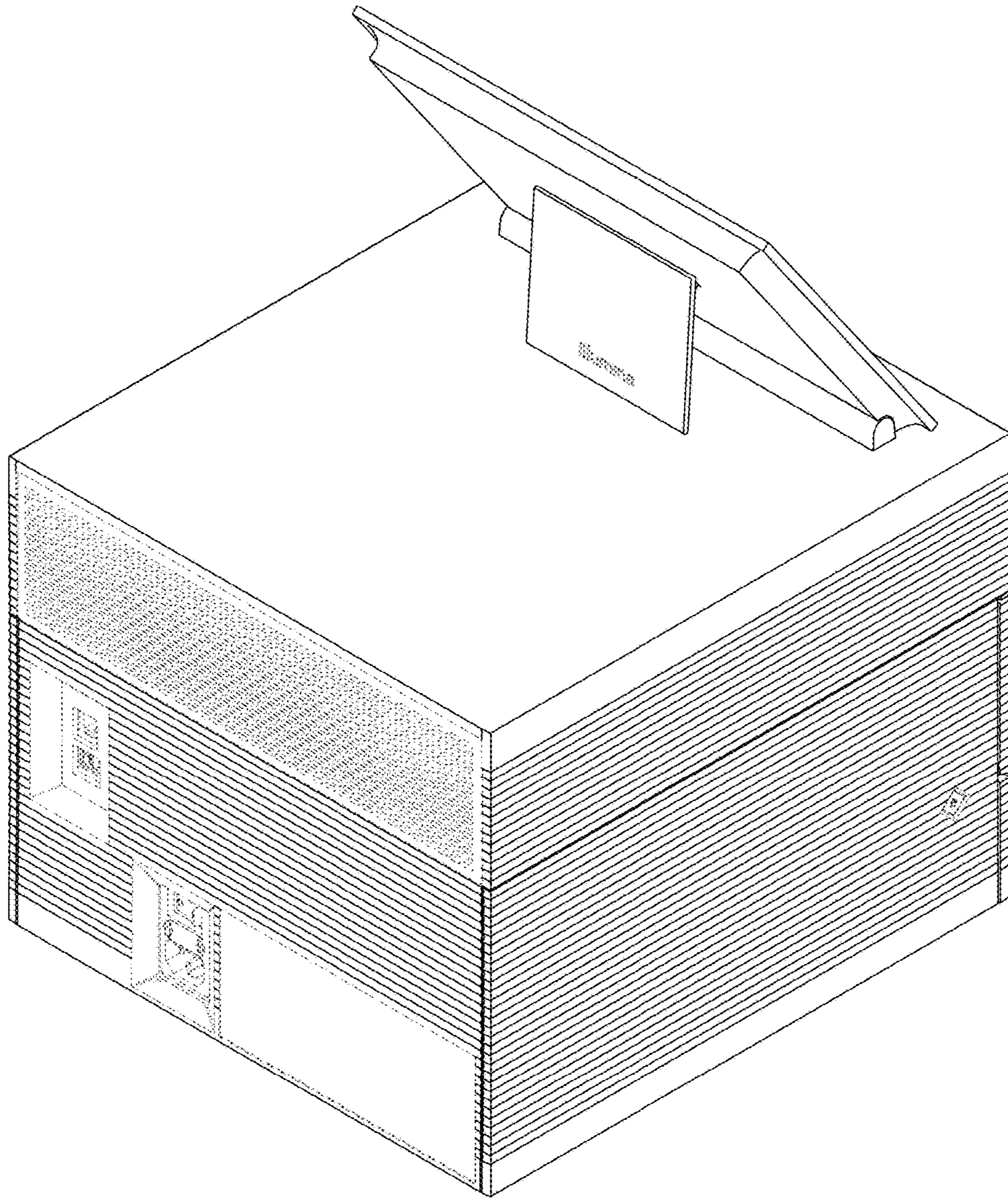


Fig. 8

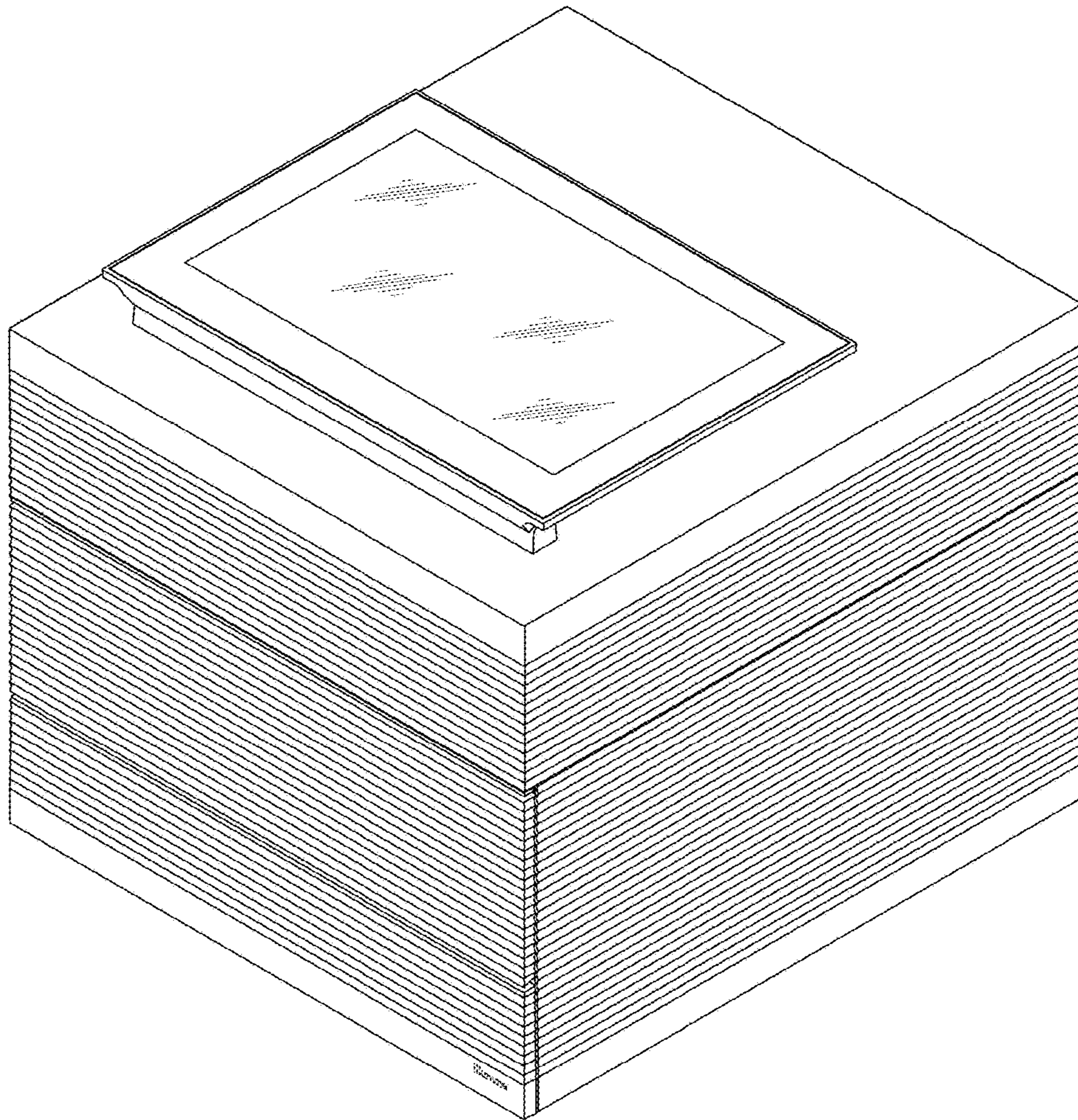


Fig. 9

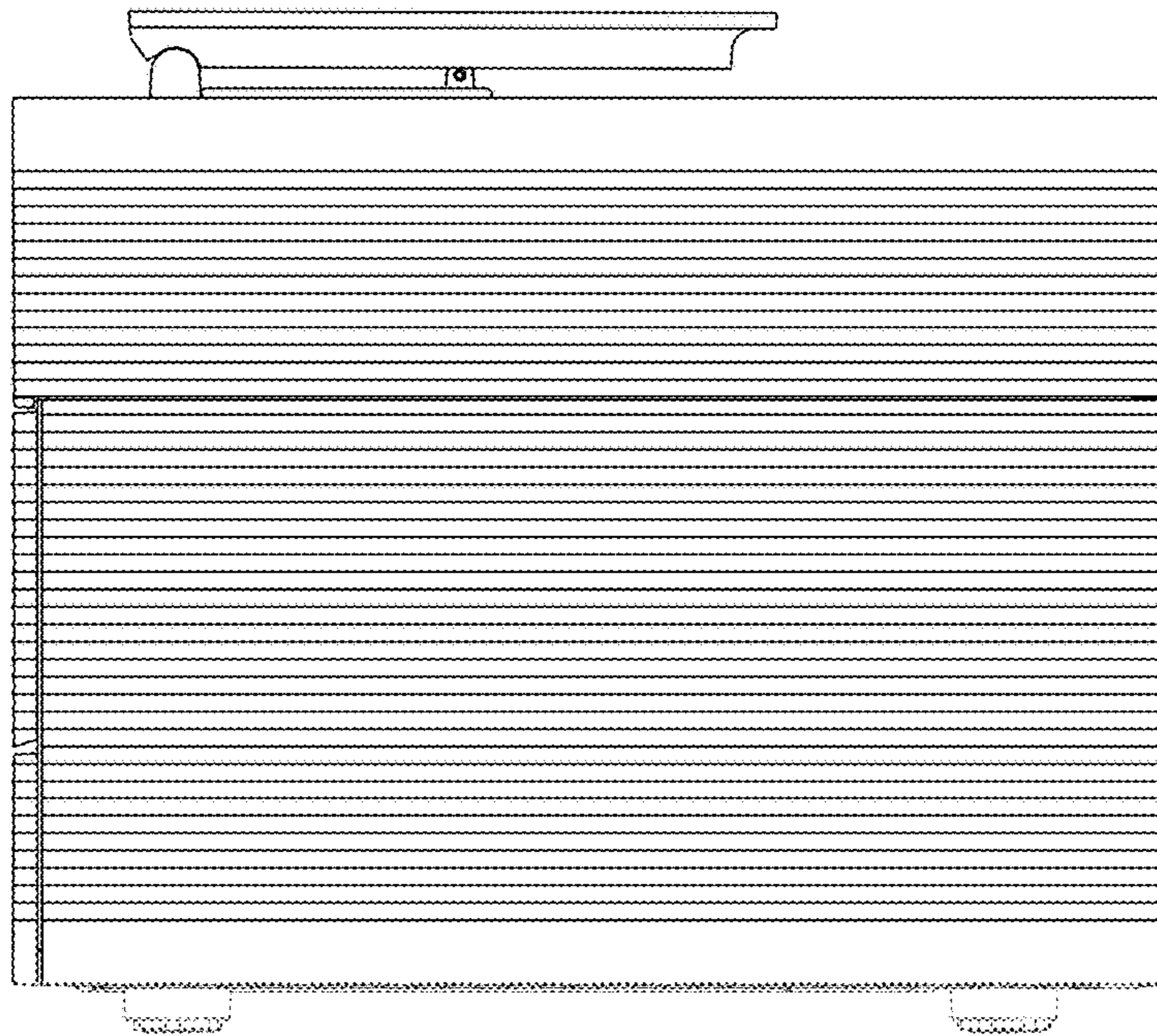


Fig. 10