



US00D848018S

(12) **United States Design Patent**
Yang et al.

(10) **Patent No.:** **US D848,018 S**

(45) **Date of Patent:** **** May 7, 2019**

(54) **ISOLATION DEVICE**
(71) Applicants: **SHANXI ZDGSY BIO-SCIENTIFIC CO., LTD.**, Shanxi (CN); **SHANXI UNIVERSITY OF CHINESE MEDICINE**, Shanxi OT (CN)

7,284,454 B2 * 10/2007 Cote B01L 3/0224
73/864.18
D584,418 S * 1/2009 Rylski D24/222
D591,865 S * 5/2009 Hintikka D24/222
7,726,212 B2 * 6/2010 Magnussen B01L 3/0217
73/864.16
D664,263 S * 7/2012 Ramsamy D24/222

(72) Inventors: **Guisheng Yang**, Toronto (CA); **Junsen Yang**, Lvliang (CN)

(Continued)

(73) Assignees: **SHANXI ZDGSY BIO-SCIENTIFIC CO. LTD.**, Shanxi (CN); **SHANXI UNIVERSITY OF CHINESE MEDICINE**, Shanxi (CN)

OTHER PUBLICATIONS

DNA RNA Isolation Device. [online] Retrieved Jul. 11, 2018 from URL: http://www.bjlat.com/productshow.html?product_id=695.*

(**) Term: **15 Years**

Primary Examiner — Vy N Koenig

(21) Appl. No.: **29/583,801**

(74) *Attorney, Agent, or Firm* — Barnes & Thornburg LLP

(22) Filed: **Nov. 9, 2016**

(57) **CLAIM**

(30) **Foreign Application Priority Data**

The ornamental design for an isolation device, as shown and described.

May 9, 2016 (CA) 168384

DESCRIPTION

(51) **LOC (11) Cl.** **24-02**

(52) **U.S. Cl.**
USPC **D24/216**

(58) **Field of Classification Search**
USPC D24/107, 121, 133, 216, 222-230, 233;
D9/523, 547, 549, 550, 724, 732
CPC B01F 13/0025; B01J 2219/00292; B01J
2220/64; B01L 3/14; B01L 3/021-3/0237;
B01L 3/508-3/50825; B01L 3/52-3/523;
G01F 11/02

FIG. 1 is a front view of an isolation device, according to a first embodiment of our new design;
FIG. 2 is right side view thereof;
FIG. 3 is a left side view thereof;
FIG. 4 is a bottom plan view thereof;
FIG. 5 is a top plan view thereof;
FIG. 6 is a rear view thereof;
FIG. 7 is a front perspective view thereof;
FIG. 8 is a rear perspective view thereof;
FIG. 9 is a front view of an isolation device, according to an alternative embodiment of our new design;
FIG. 10 is a right side view thereof;
FIG. 11 is a left side view thereof;
FIG. 12 is a bottom plan view thereof;
FIG. 13 is a top plan view thereof; and,
FIG. 14 is a rear view thereof.

See application file for complete search history.

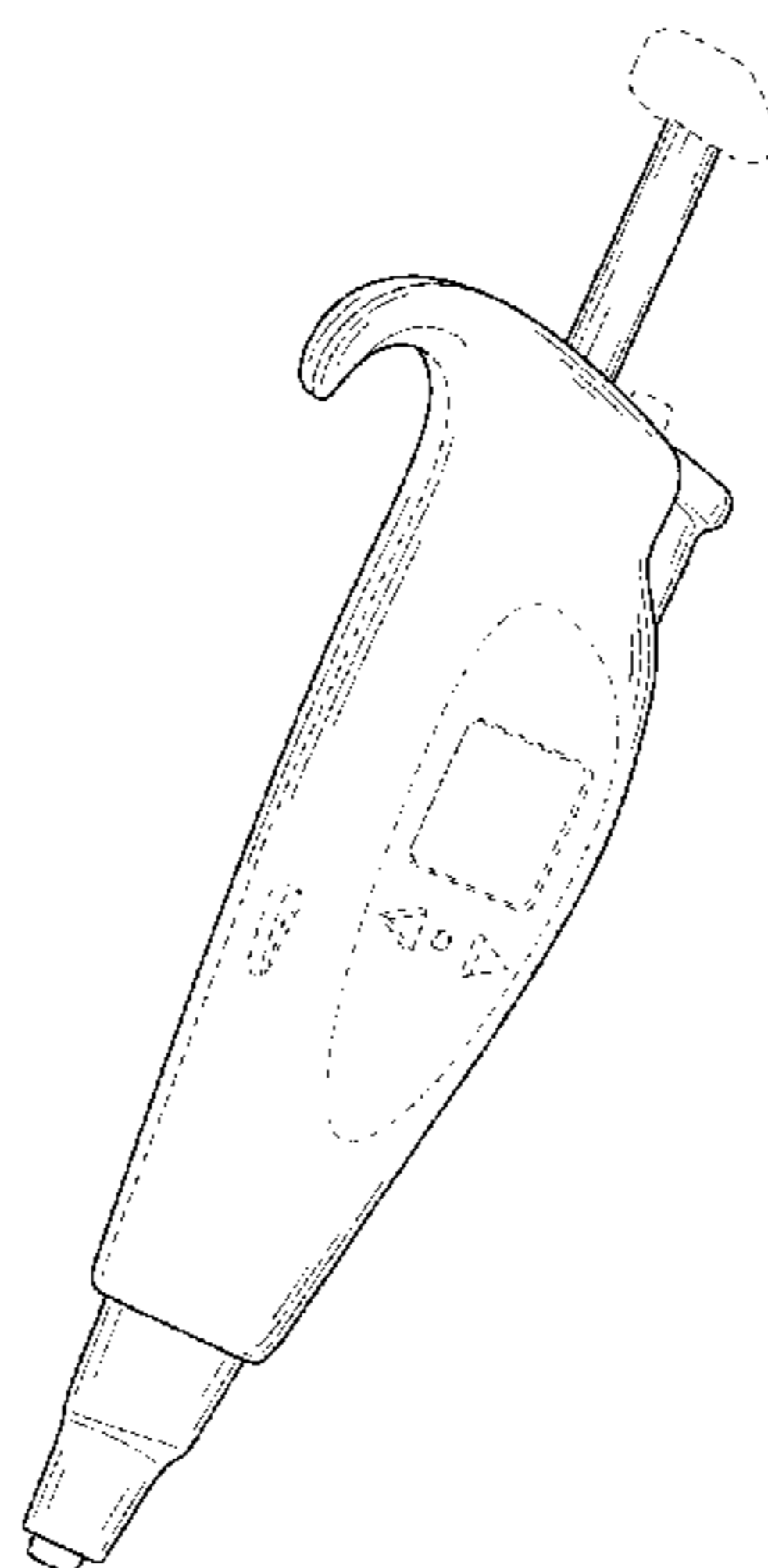
The broken lines in the drawings depict portions of the isolation device that form no part of the claimed design.

(56) **References Cited**

U.S. PATENT DOCUMENTS

D252,823 S * 9/1979 Withers D24/114
D426,643 S * 6/2000 Rainin D24/222
D438,630 S * 3/2001 Honore D24/222
6,568,288 B2 * 5/2003 Rainin B01L 3/0217
73/864.16

1 Claim, 12 Drawing Sheets



(56)

References Cited

U.S. PATENT DOCUMENTS

8,297,134 B2 * 10/2012 Wilmer B01L 3/0224
73/864.14
D672,469 S * 12/2012 Christensen D24/222
D703,828 S * 4/2014 Jackson D24/222
D770,056 S * 10/2016 LaCroix D24/222
9,630,174 B2 * 4/2017 Sarna B01L 3/0224
D798,445 S * 9/2017 Heni D24/133
D809,668 S * 2/2018 Ramsamy D24/222
9,901,919 B2 * 2/2018 Heinonen B01L 3/0224
9,931,625 B2 * 4/2018 Voyeux B01L 3/022
9,931,628 B2 * 4/2018 LaCroix B01L 3/0224
9,999,881 B2 * 6/2018 Hintikka B01L 3/0237

* cited by examiner

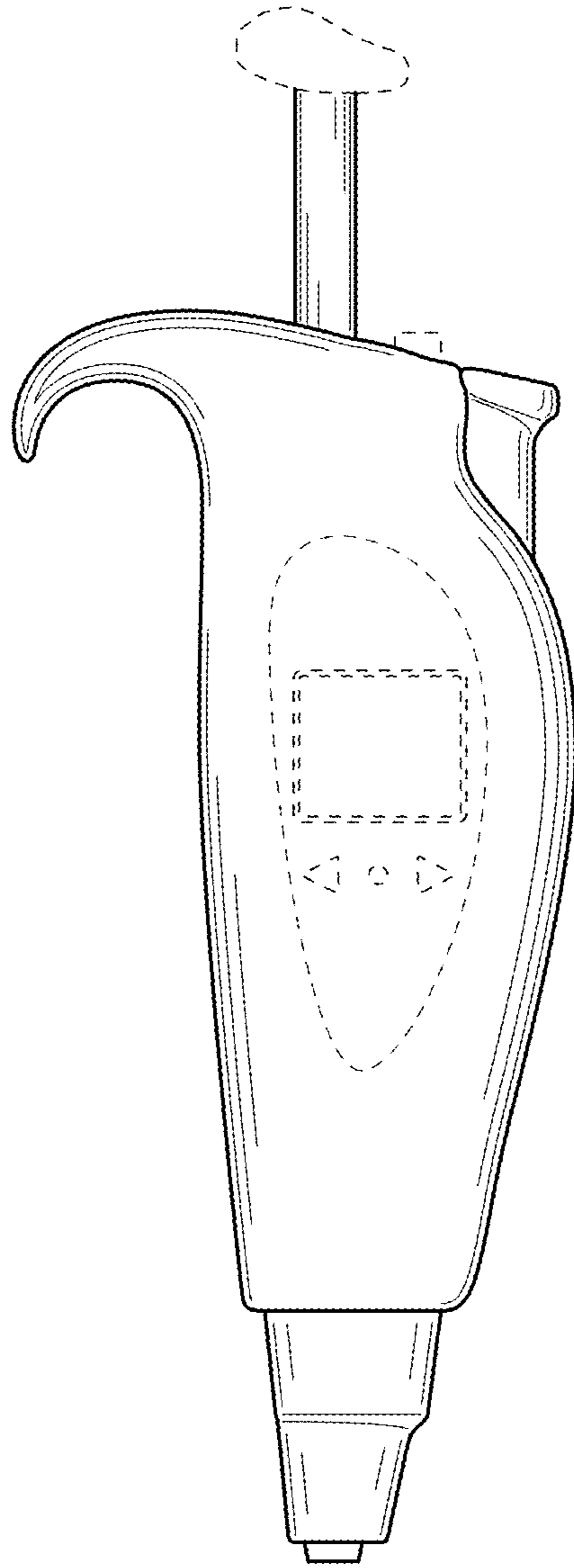


FIG. 1

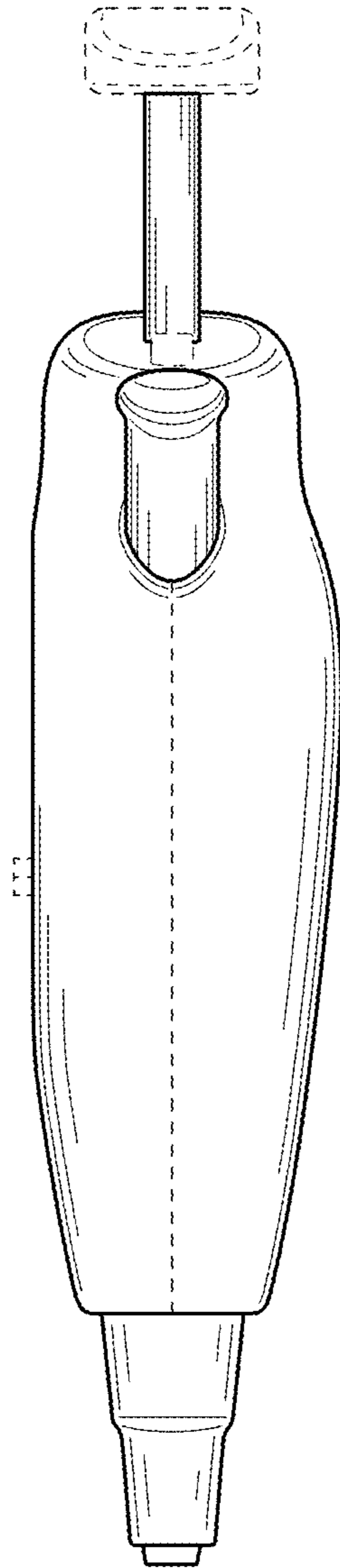


FIG. 2

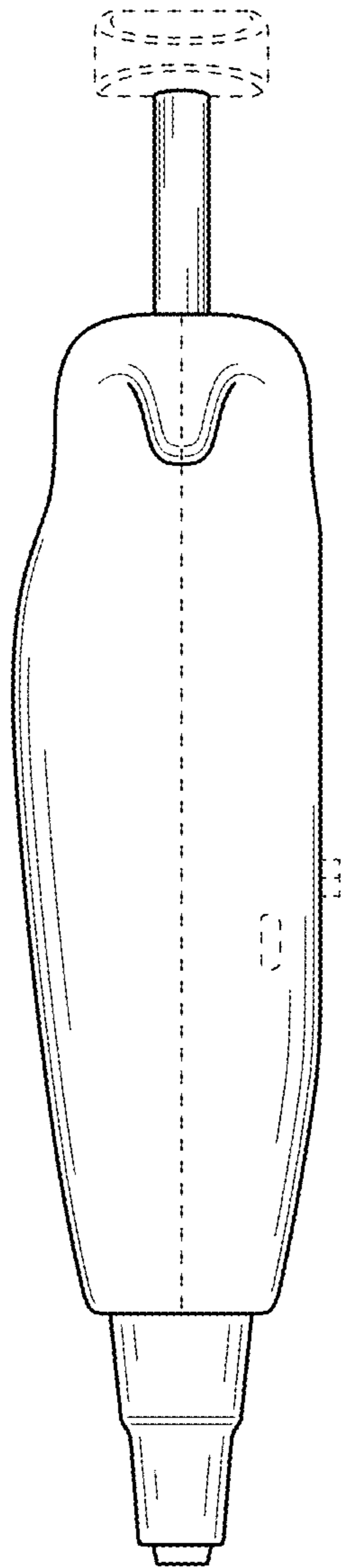


FIG. 3

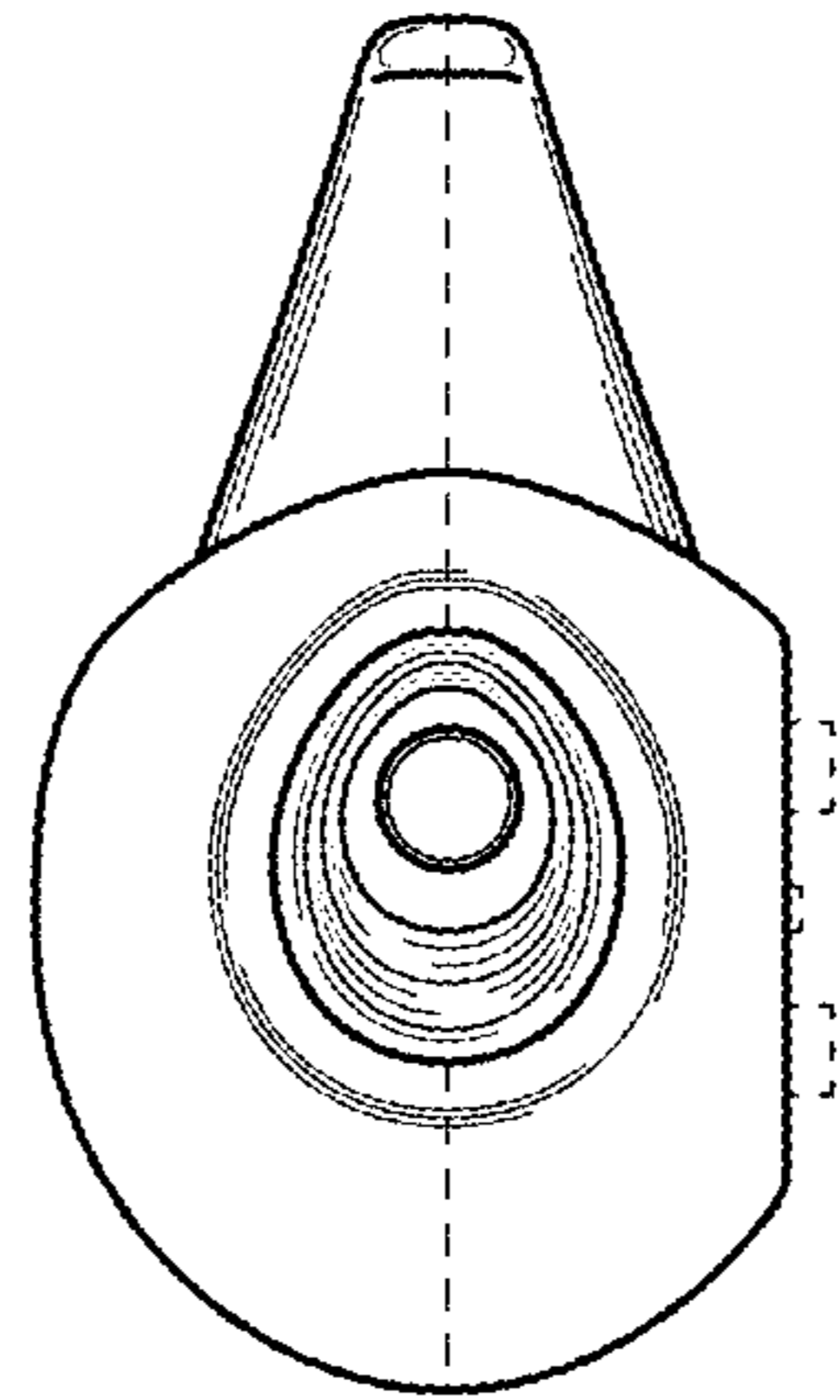


FIG. 4

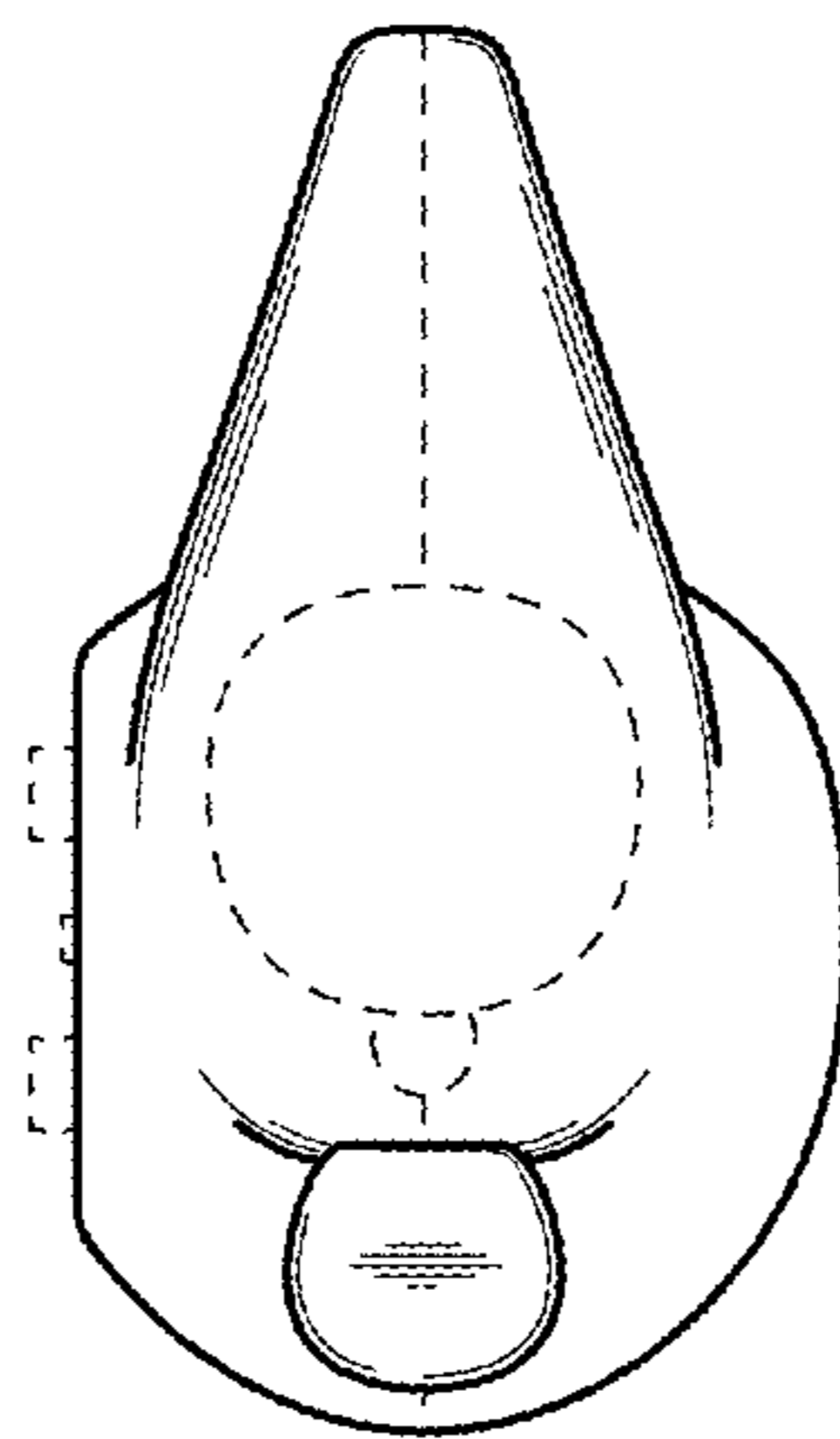


FIG. 5

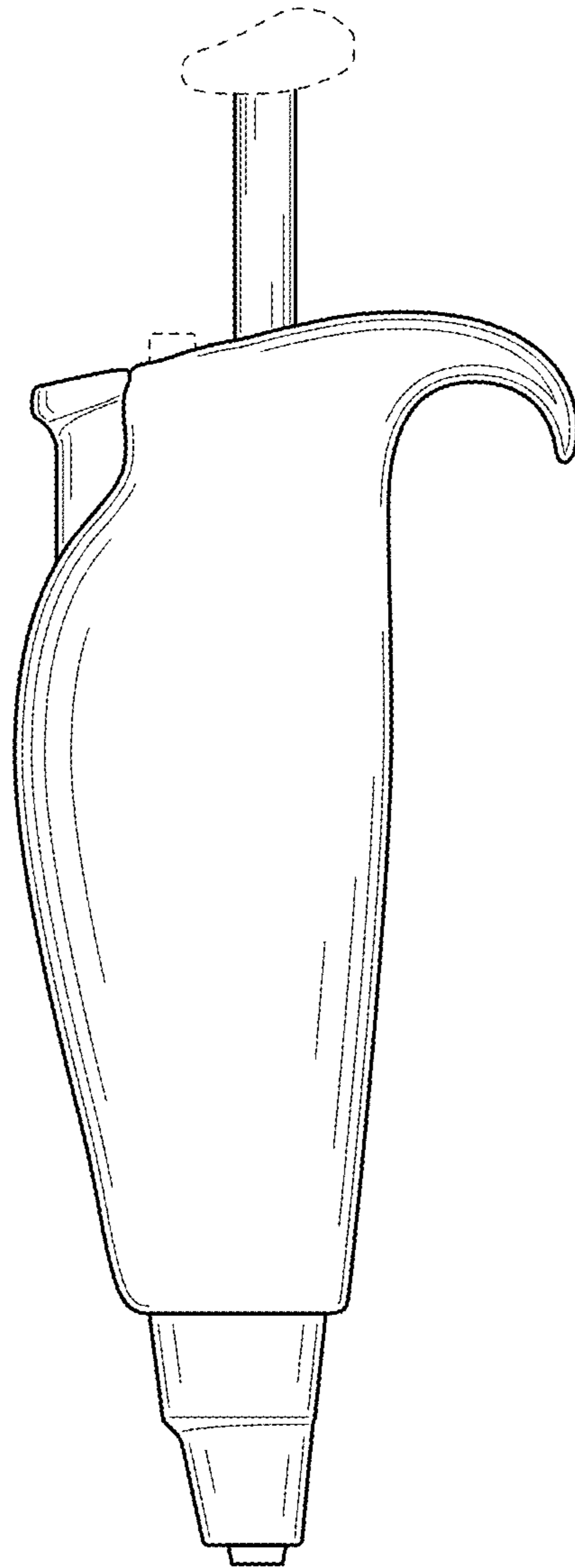


FIG. 6

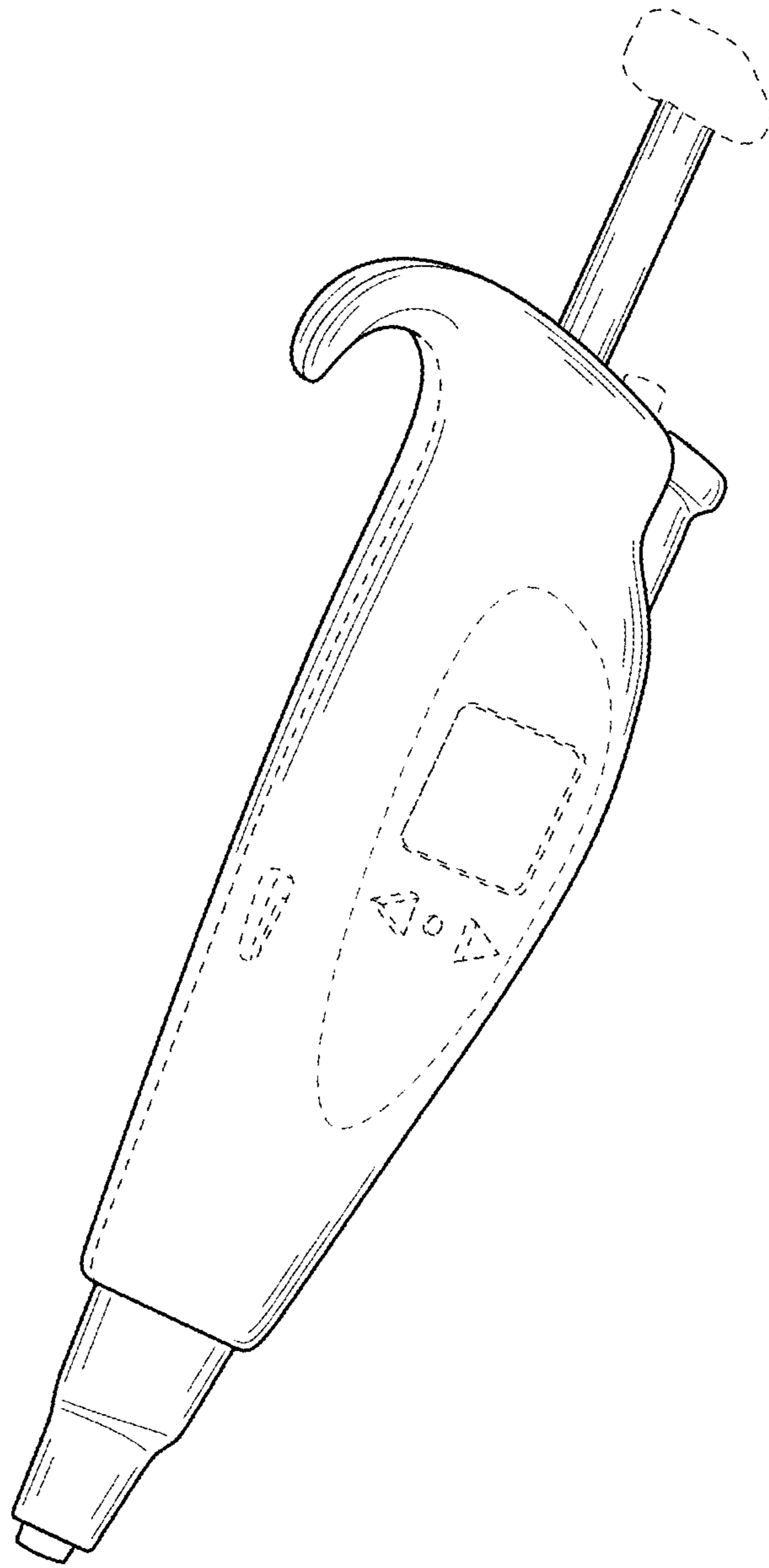


FIG. 7

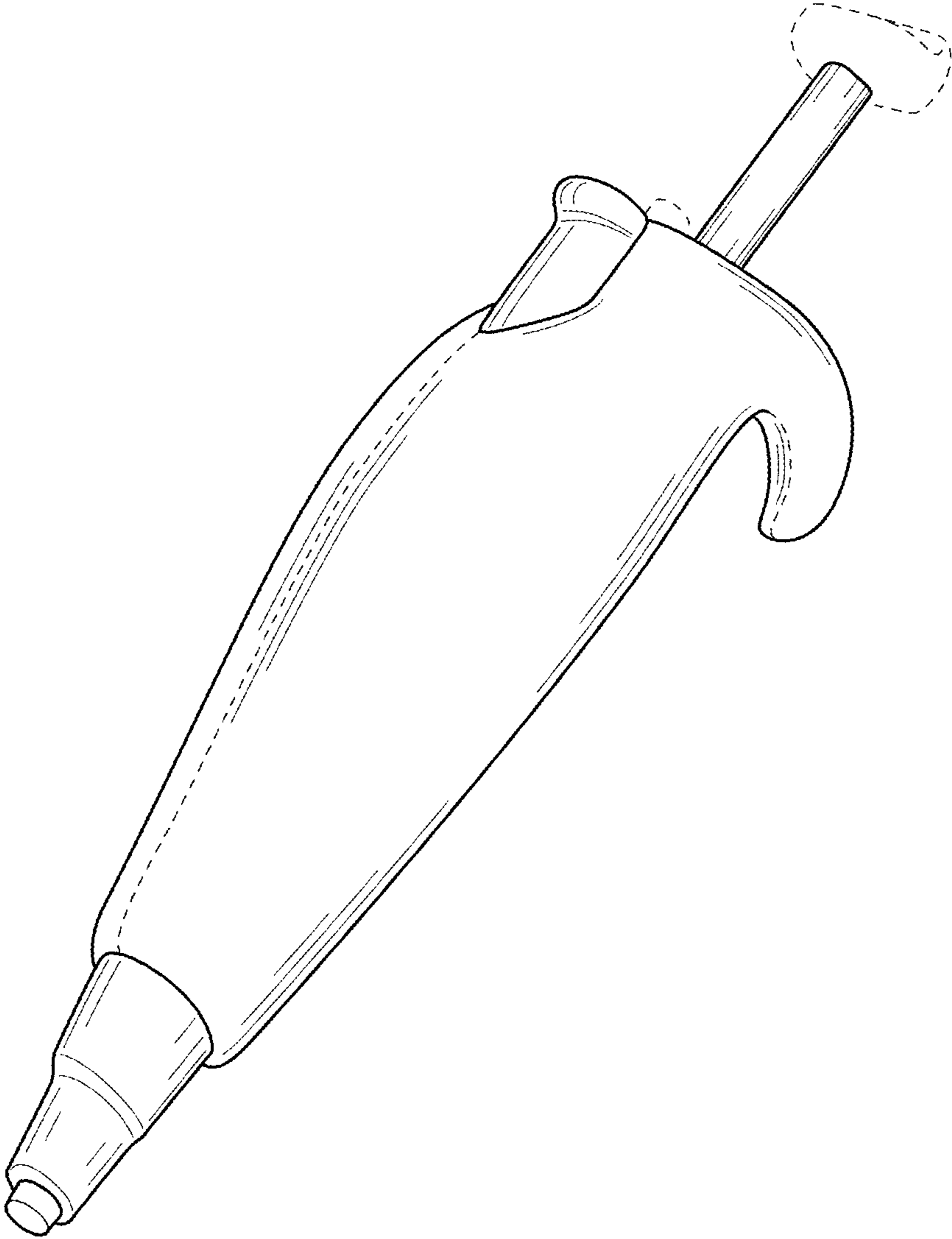


FIG. 8

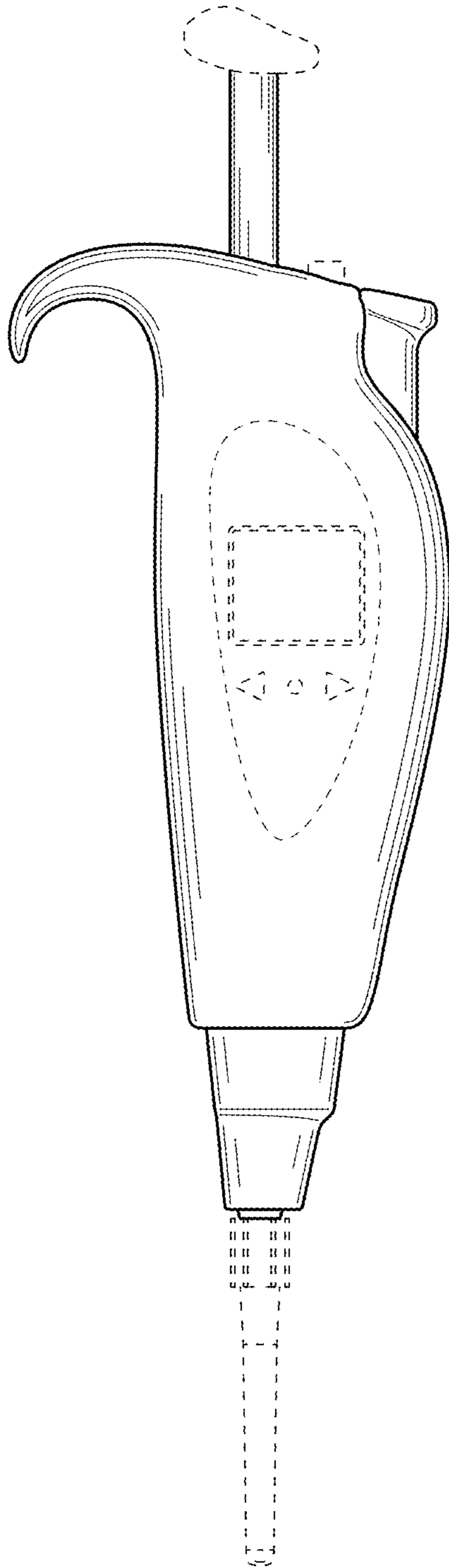


FIG. 9

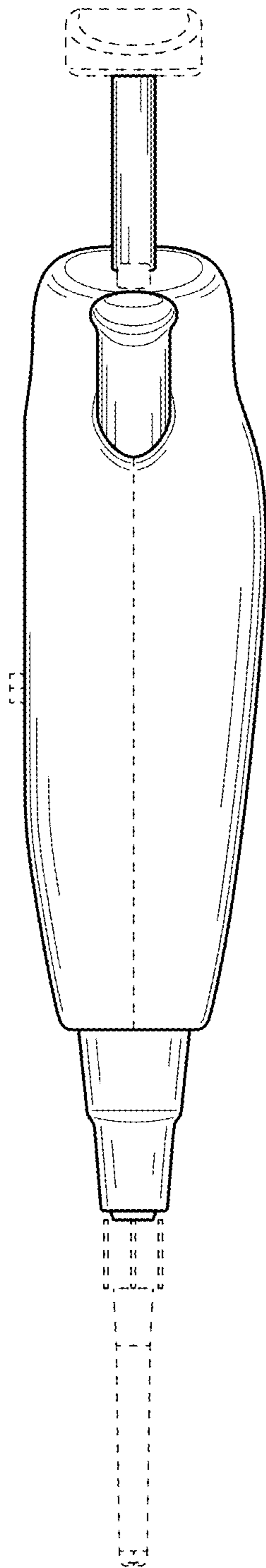


FIG. 10

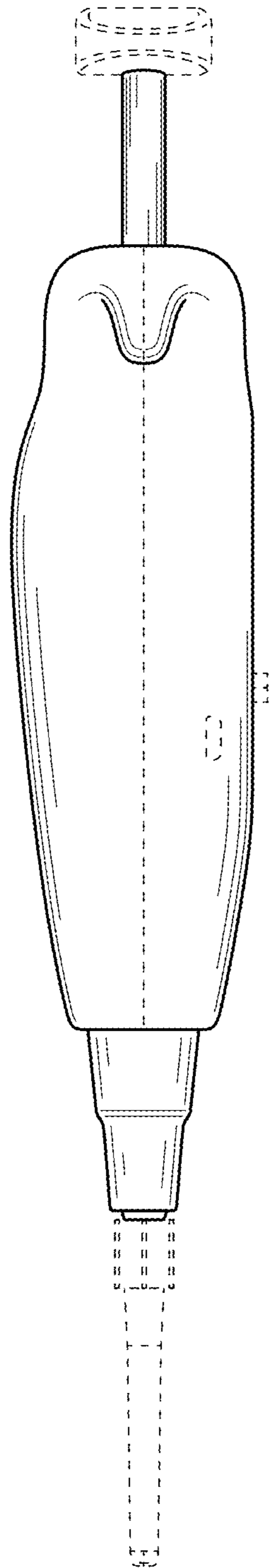


FIG. 11

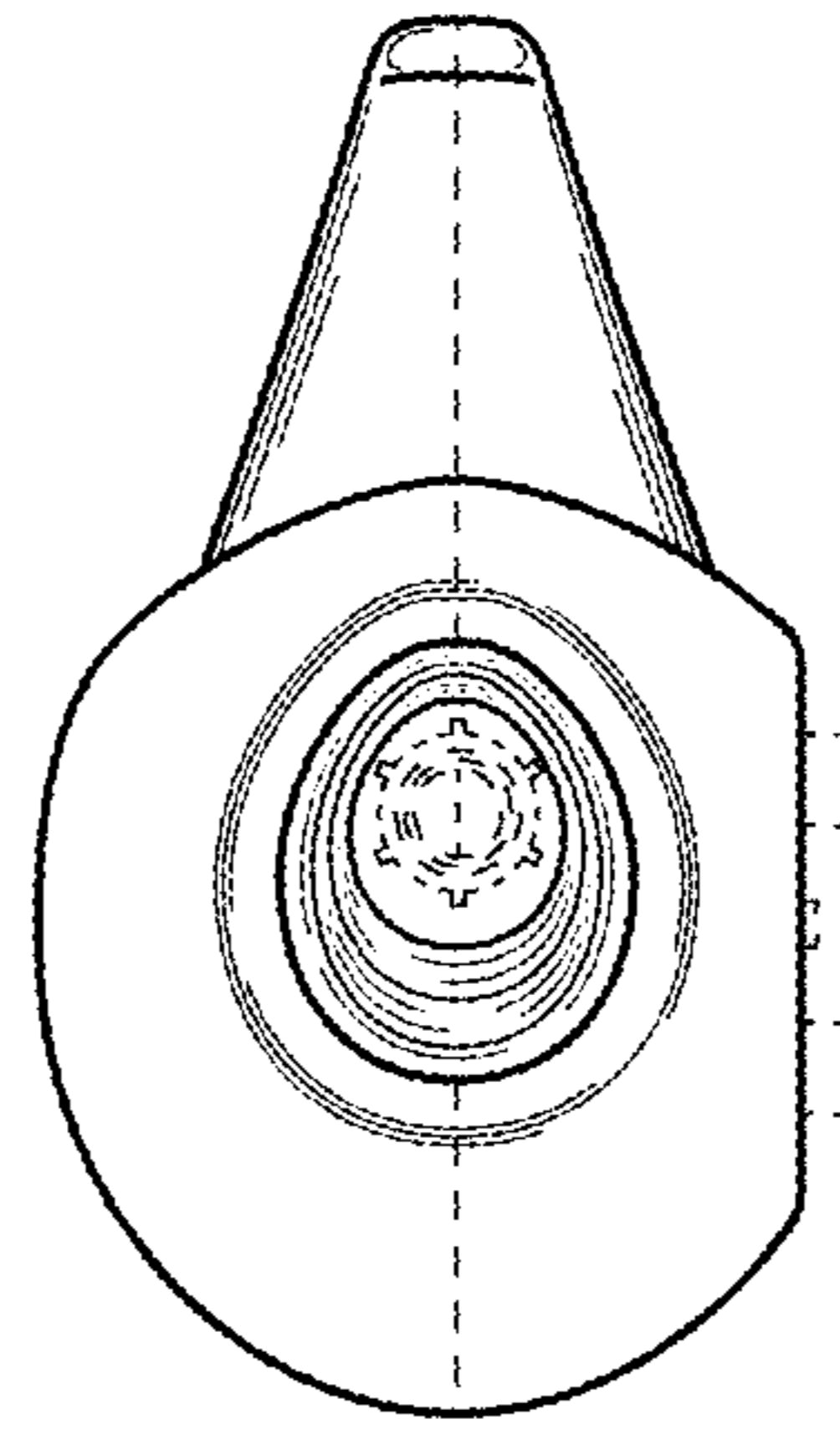


FIG. 12

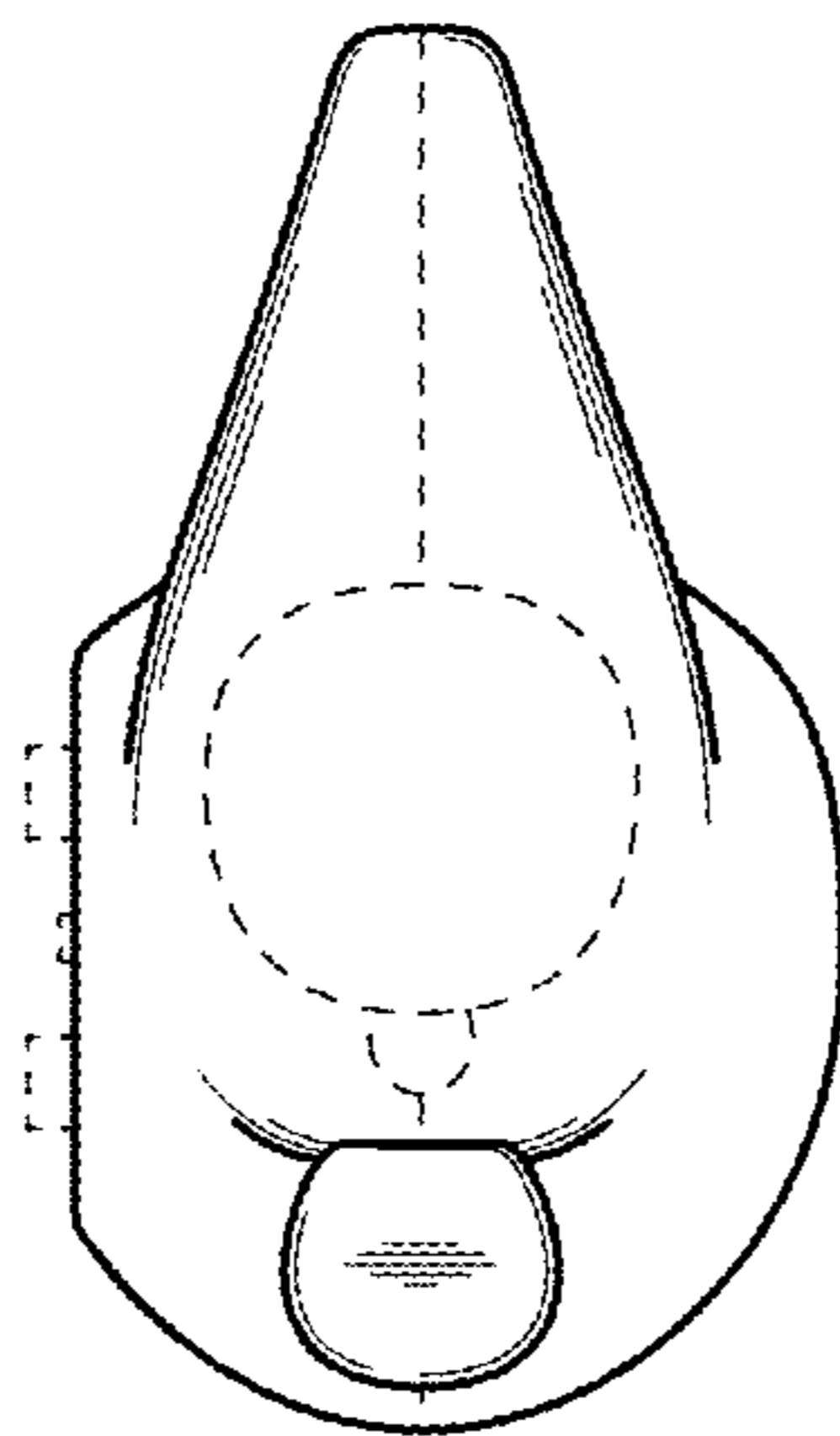


FIG. 13

REPLACEMENT SHEET

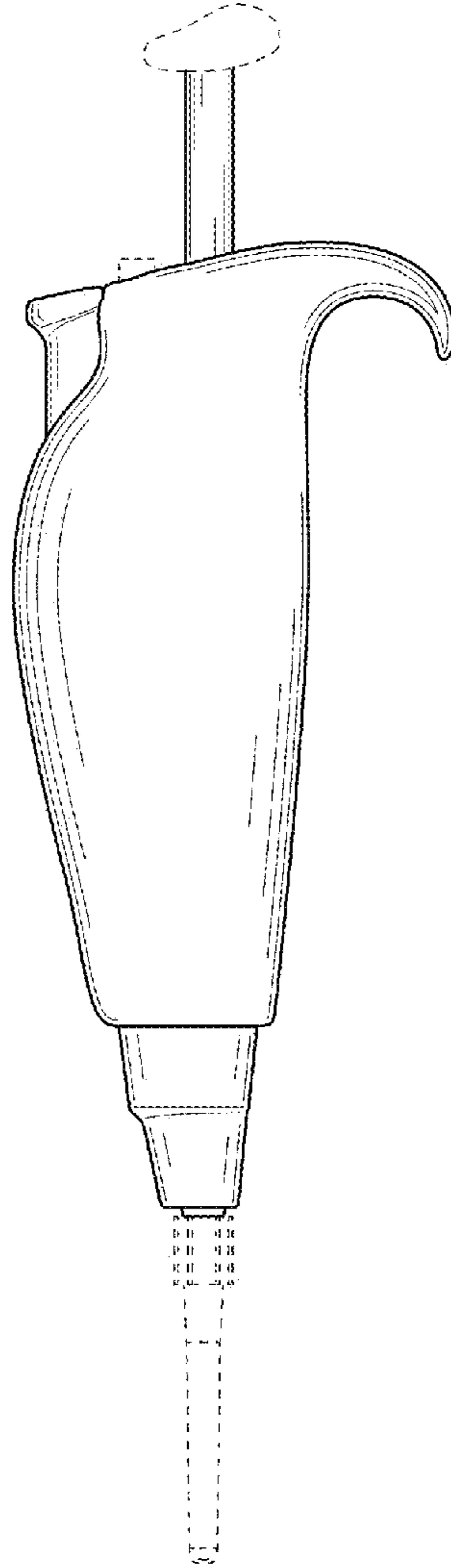


FIG. 14