



US00D848009S

(12) **United States Design Patent** (10) **Patent No.:** **US D848,009 S**
O’Keefe (45) **Date of Patent:** **** May 7, 2019**

- (54) **MESSAGE ROLLER**
- (71) Applicant: **The Nexxbar Equipment Inc.**, Mount Pearl (CA)
- (72) Inventor: **Ross P. O’Keefe**, Mount Pearl (CA)
- (73) Assignee: **Ross P. O’Keefe**, Mount Pearl (CA)
- (**) Term: **15 Years**
- (21) Appl. No.: **29/628,151**
- (22) Filed: **Dec. 1, 2017**
- (51) **LOC (11) Cl.** **28-03**
- (52) **U.S. Cl.**
USPC **D24/211**
- (58) **Field of Classification Search**
USPC D24/200, 211, 212, 213, 214, 215;
601/19, 22, 40, 46, 52, 63, 99, 110–133,
601/118–120, 125, DIG. 12, DIG. 14,
601/DIG. 15, DIG. 16, DIG. 17
CPC A61H 1/00; A61H 2015/0007; A61H
2015/0014; A61H 2015/0042; A61H
15/00; A61H 11/00; A61H 21/00; A61H
37/00
See application file for complete search history.

- (56) **References Cited**
U.S. PATENT DOCUMENTS
D271,051 S * 10/1983 McCoy D21/679
4,648,387 A 3/1987 Simmons
4,712,539 A * 12/1987 Kim A61H 15/0092
601/120
4,878,489 A * 11/1989 Kamayachi A61H 23/0263
601/72
D347,898 S * 6/1994 Belcher D24/200
5,364,338 A 11/1994 Terashima
5,545,456 A 8/1996 Suida
D376,650 S * 12/1996 Kain D24/215
D384,158 S * 9/1997 Kain D24/200
D398,400 S * 9/1998 Havelind D24/211

- D417,319 S * 11/1999 Weiss, Jr. D30/119
- 6,267,738 B1 * 7/2001 Louis A61H 1/008
601/118
- D446,308 S * 8/2001 Schmitmeyer D24/200
- D448,851 S * 10/2001 Louis D24/211
- 6,849,055 B1 2/2005 Williams
- D623,310 S * 9/2010 Cheng D24/211
- D648,034 S * 11/2011 Rice D24/215
- D655,058 S * 2/2012 Blair D1/199
- D660,428 S * 5/2012 Hohl D24/133
- D691,731 S * 10/2013 Grippo A61H 7/003
D24/215
- D704,852 S * 5/2014 Yang D24/211
- D723,710 S * 3/2015 Ishibashi D24/215
- 9,005,146 B2 4/2015 Phillips
- 9,107,795 B2 8/2015 Faussett
- D738,519 S * 9/2015 Phillips D24/211

(Continued)

Primary Examiner — Sandra S Snapp

(57) **CLAIM**

The ornamental designs for a massage roller, as shown and described.

DESCRIPTION

FIG. 1 is a front perspective view of a massage roller in an extended configuration, illustrating an embodiment of the design;

FIG. 2 is a front elevation view thereof;

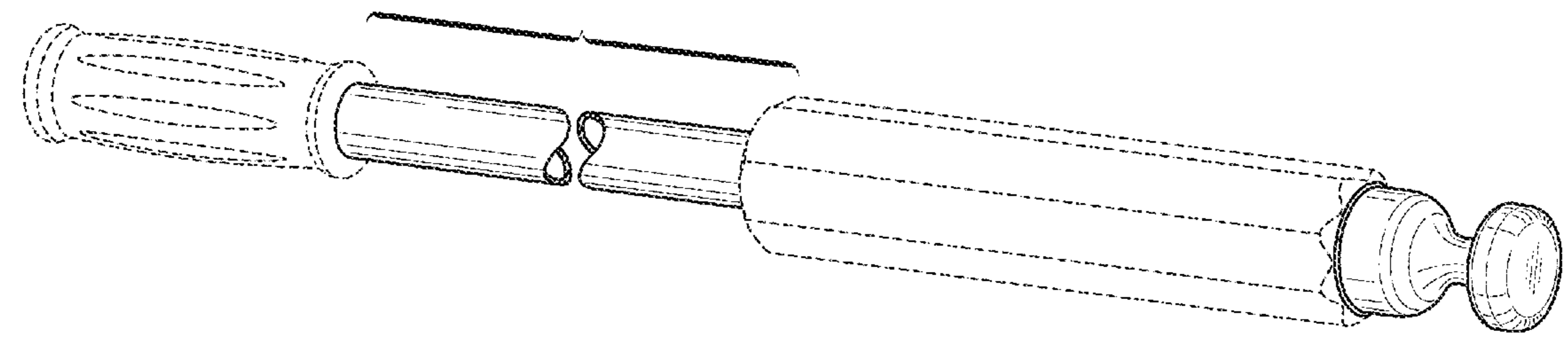
FIG. 3 is a left elevation view thereof;

FIG. 4 is a right elevation view thereof; and,

FIG. 5 is a front perspective view of the massage roller in a retracted configuration.

The broken lines depict portions of the massage roller and form no part of the claimed design. The pairs of closely adjacent, spaced wavy break lines in the drawings form no part of the claimed design. The massage roller is shown with a symbolic break in its length. The appearance of any portion of the massage roller between the break lines forms no part of the claimed design.

1 Claim, 2 Drawing Sheets



(56)

References Cited

U.S. PATENT DOCUMENTS

D752,767 S *	3/2016	Stock	D24/214
9,849,060 B2 *	12/2017	Ishibashi	A61H 15/0092
D807,972 S *	1/2018	Hao	D21/679
2003/0023139 A1 *	1/2003	Hartz	A61H 19/34 600/38
2013/0096472 A1	4/2013	Bertram et al.	
2014/0276280 A1	9/2014	Oller, Jr.	
2015/0011921 A1	1/2015	Sidhu	
2016/0008213 A1	1/2016	Cheng	

* cited by examiner

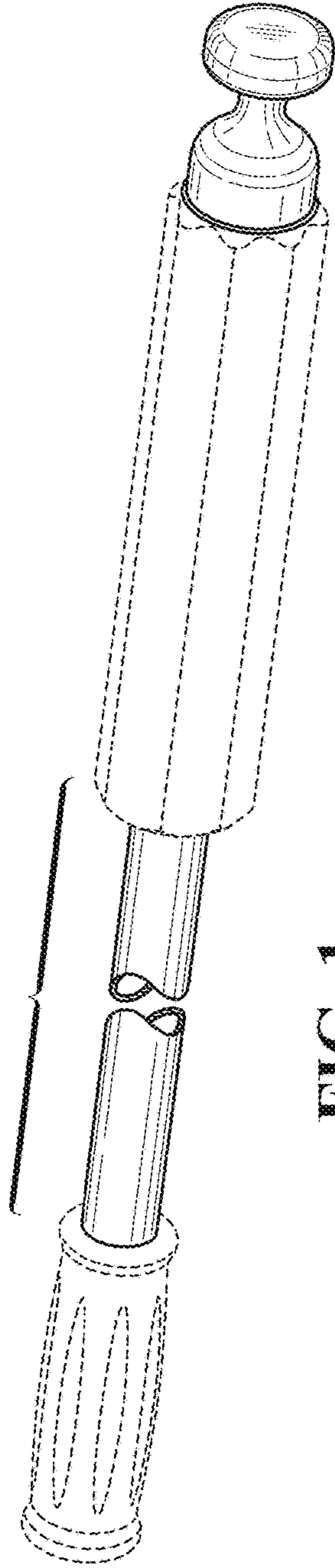


FIG. 1

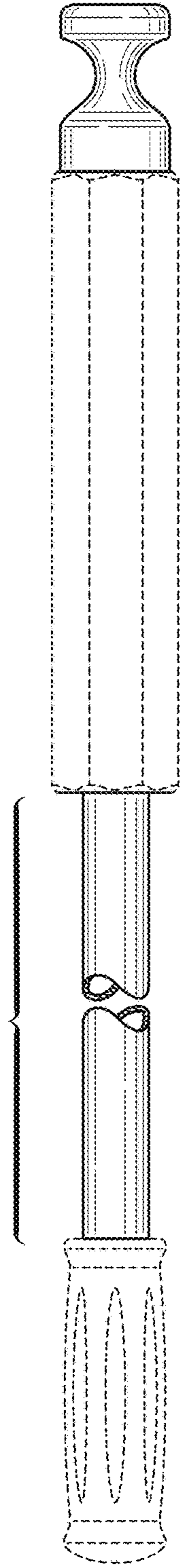


FIG. 2

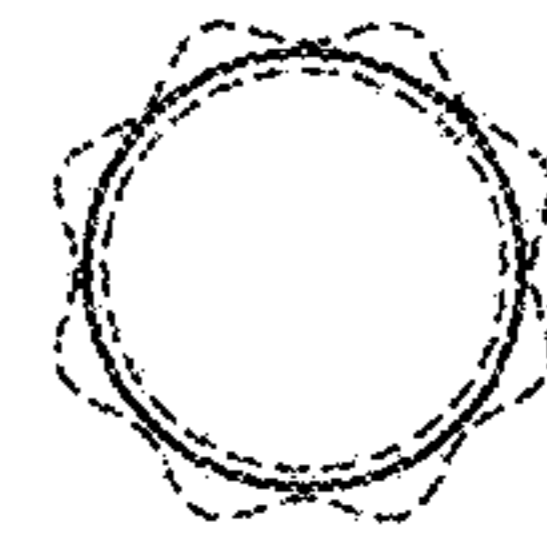


FIG. 3

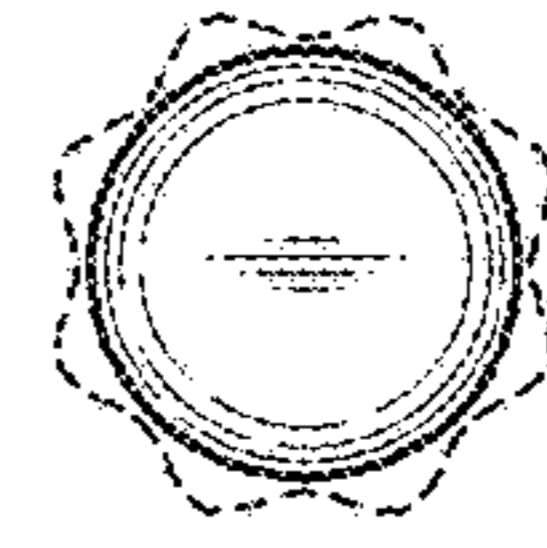


FIG. 4

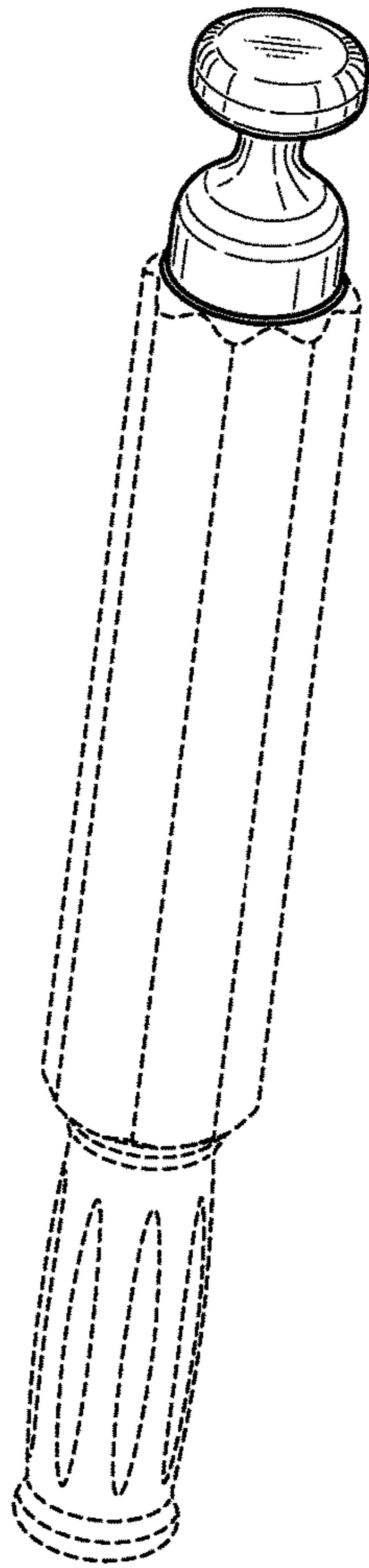


FIG. 5