



US00D848005S

(12) **United States Design Patent** (10) **Patent No.:** **US D848,005 S**  
**Adams** (45) **Date of Patent:** **\*\* May 7, 2019**

(54) **REVERSIBLE WRIST SUPPORT**  
(71) Applicant: **Steven E. Adams**, Grass Valley, CA (US)  
(72) Inventor: **Steven E. Adams**, Grass Valley, CA (US)  
(\*\*) Term: **15 Years**  
(21) Appl. No.: **29/579,720**  
(22) Filed: **Oct. 3, 2016**  
(51) **LOC (11) Cl.** ..... **24-02**  
(52) **U.S. Cl.**  
USPC ..... **D24/190**  
(58) **Field of Classification Search**  
USPC ..... D24/189, 190, 191, 192; 602/7, 16, 23, 602/27, 28, 56, 60, 61, 62, 65, 66; D29/120.1, 121.2, 113, 117.1-119, 123; D2/618, 619, 621, 610  
CPC .... A61F 5/0106; A61F 5/0118; A61F 5/0104; A61F 5/0109; A61F 5/0111; A61F 5/0102; A61F 5/0123; A61F 5/05841; A61F 5/05866  
See application file for complete search history.

(56) **References Cited**  
U.S. PATENT DOCUMENTS  
D427,383 S \* 6/2000 Inman ..... D2/610  
6,146,348 A \* 11/2000 Slautterback ..... A61F 5/05866  
602/21

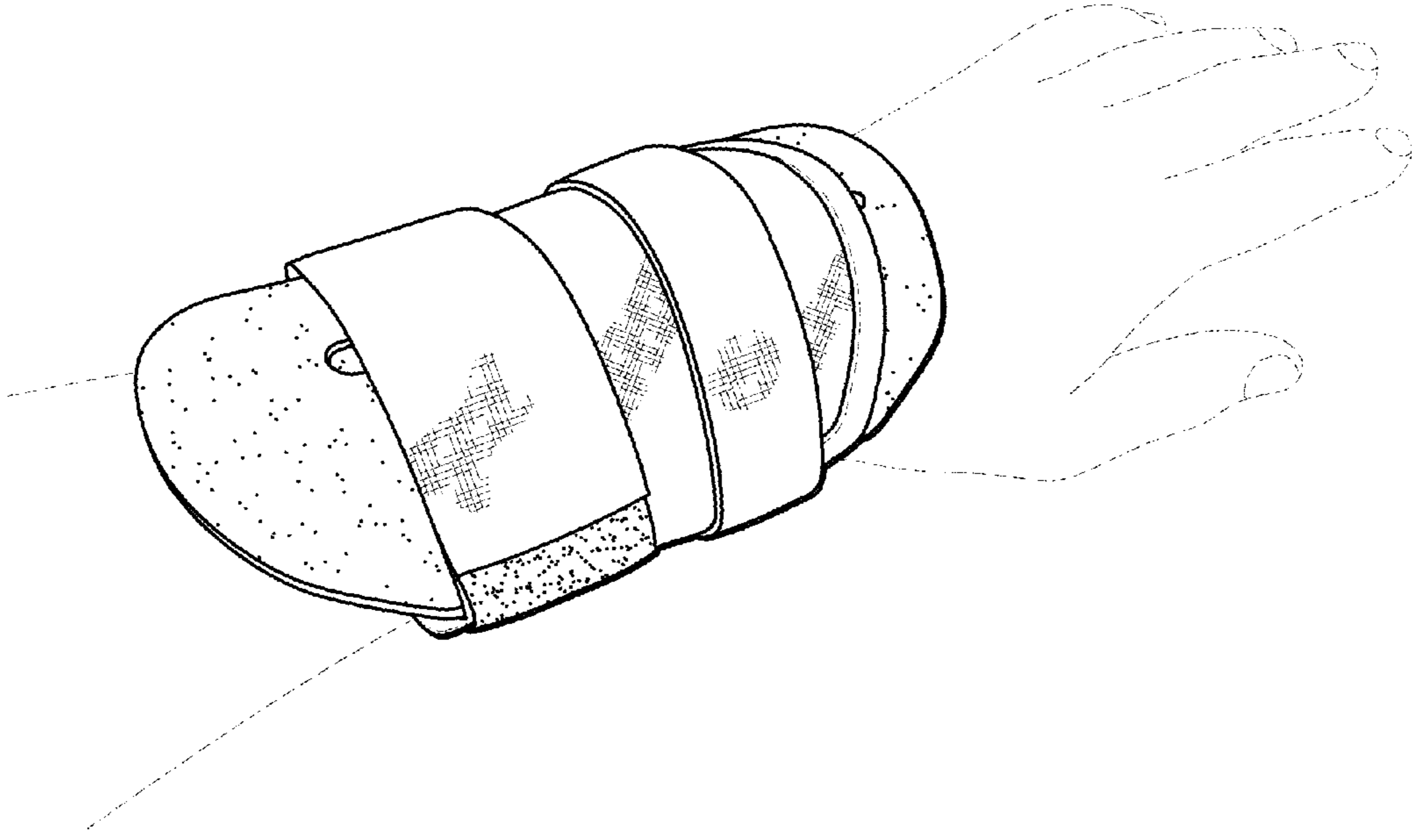
D461,901 S \* 8/2002 Rodgers ..... D24/190  
D477,088 S \* 7/2003 Brown ..... A61F 5/0118  
D24/190  
D486,610 S \* 2/2004 Alivo, Jr. .... D29/120.1  
D580,064 S \* 11/2008 Lin ..... D24/190  
D617,464 S \* 6/2010 Weaver, II ..... D24/190  
D656,685 S \* 3/2012 Best ..... D29/120.1  
D665,088 S \* 8/2012 Joseph ..... D24/190  
D767,774 S \* 9/2016 Wellendorf ..... D24/190  
2005/0096575 A1 \* 5/2005 Weaver, II ..... A61F 5/0118  
602/21

\* cited by examiner  
*Primary Examiner* — Cathron C Brooks  
*Assistant Examiner* — Samantha Q Lawrence  
(74) *Attorney, Agent, or Firm* — Heisler & Associates

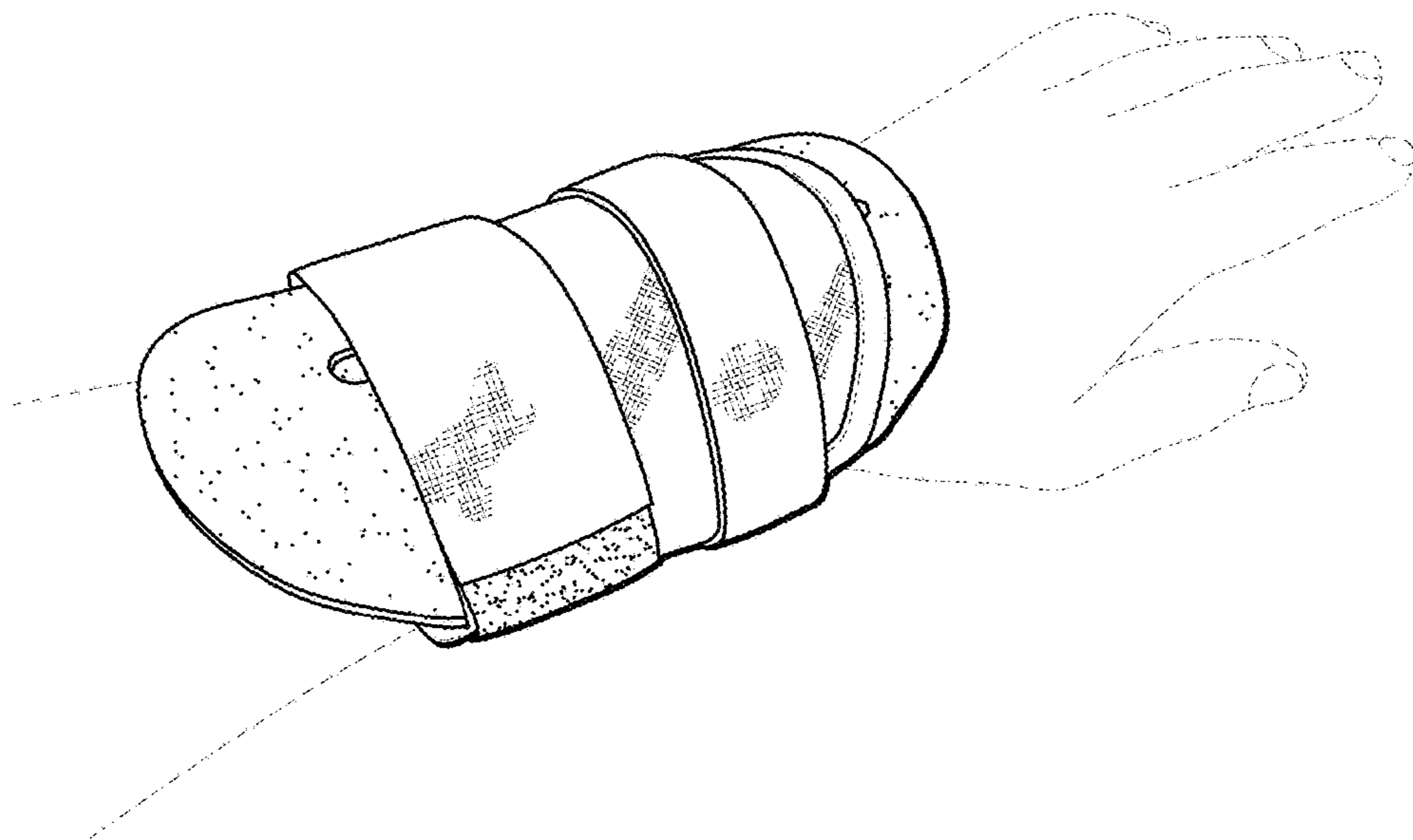
(57) **CLAIM**  
The ornamental design for a reversible wrist support, as shown and described.

**DESCRIPTION**  
FIG. 1 is a perspective view of a reversible wrist support; FIG. 2 is a top plan view of the invention; FIG. 3 is a right side view of the invention; FIG. 4 is a left side view of the invention; FIG. 5 is a bottom plan view of the invention; FIG. 6 is a rear elevation view of the invention; and, FIG. 7 is a front elevation view of the invention. The broken lines shown in FIG. 1 illustrate environment and form no part of the claimed design. The remaining broken lines shown in FIGS. 1-5 illustrate stitching and form no part of the claimed design.

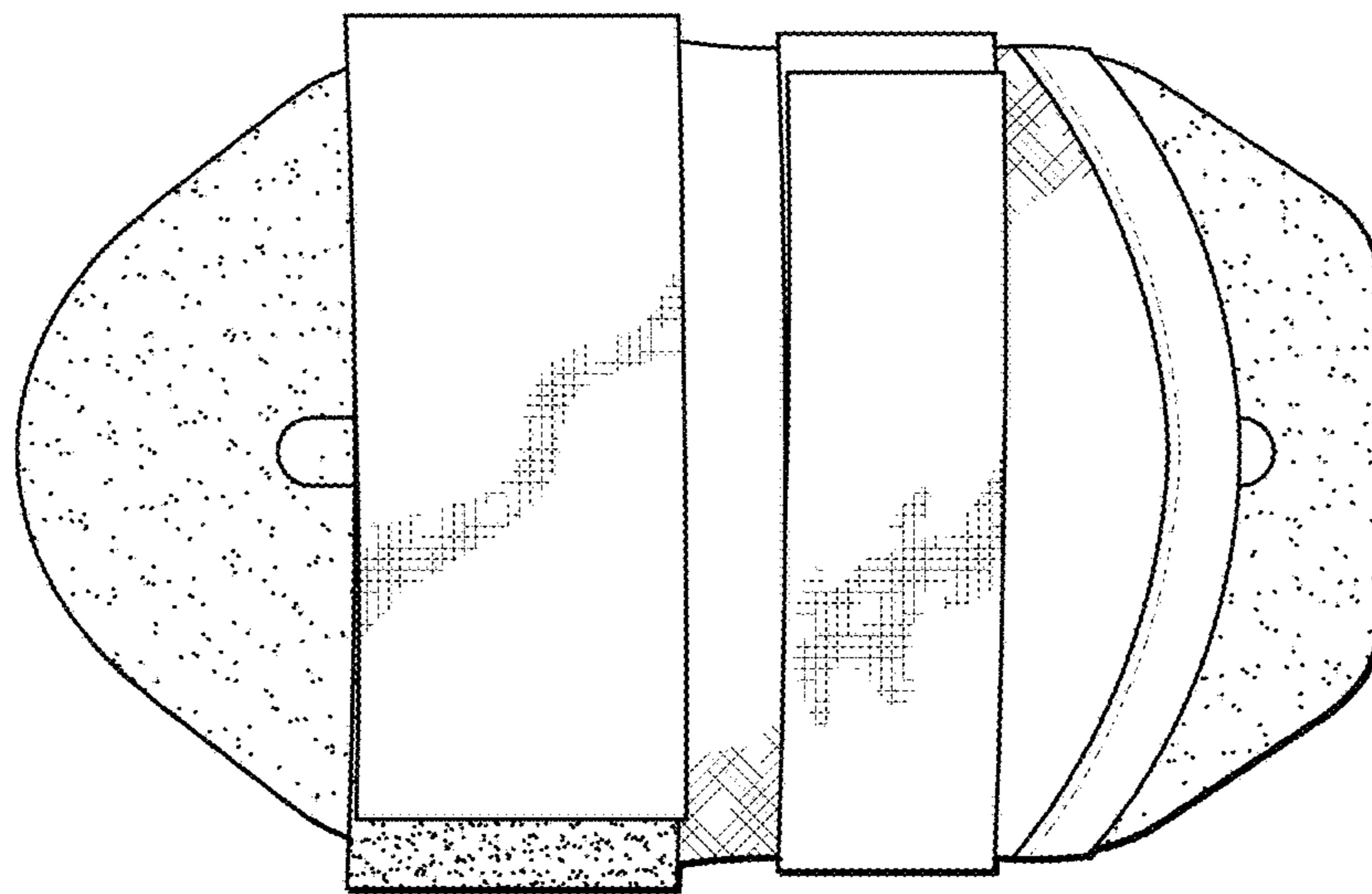
**1 Claim, 4 Drawing Sheets**



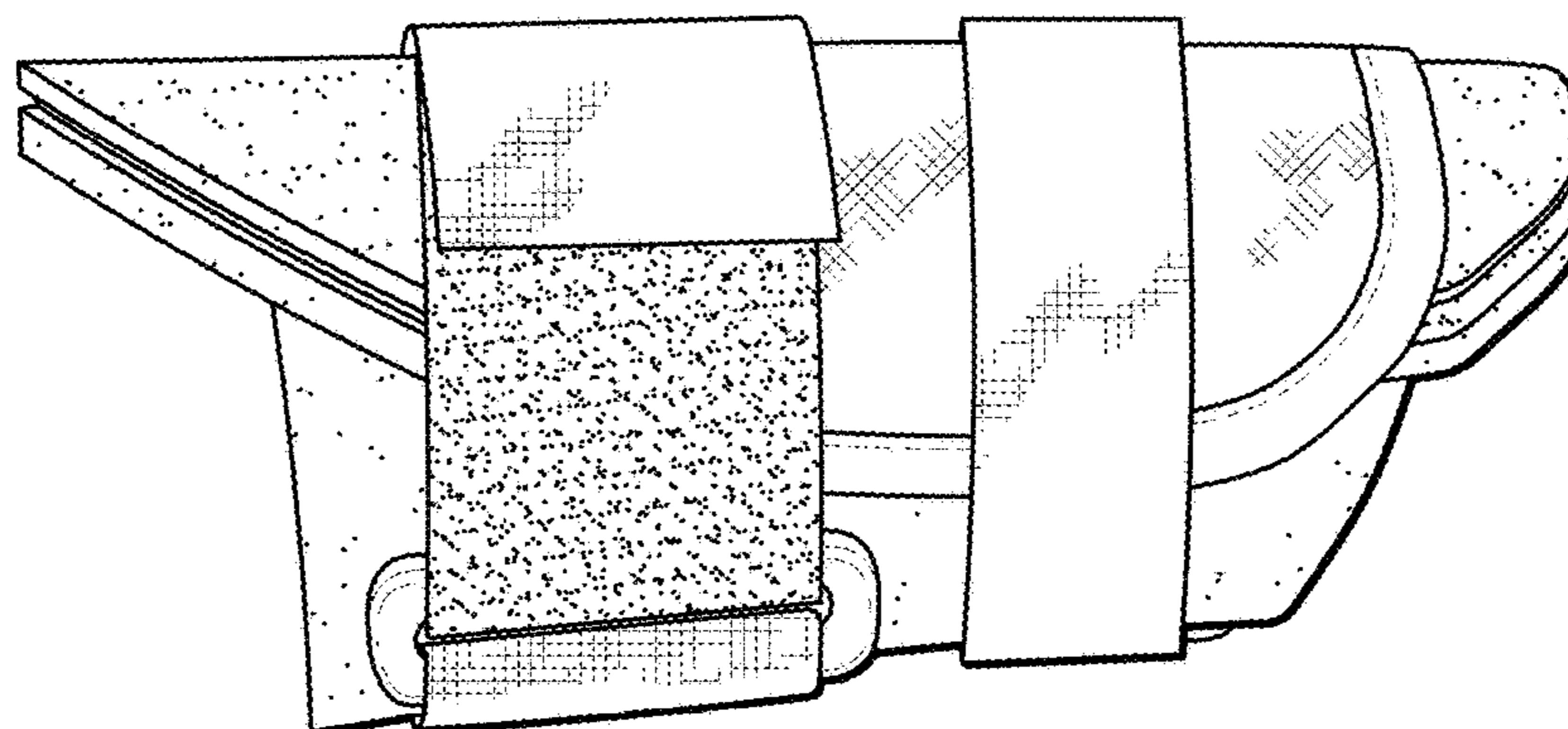
**FIG. 1**



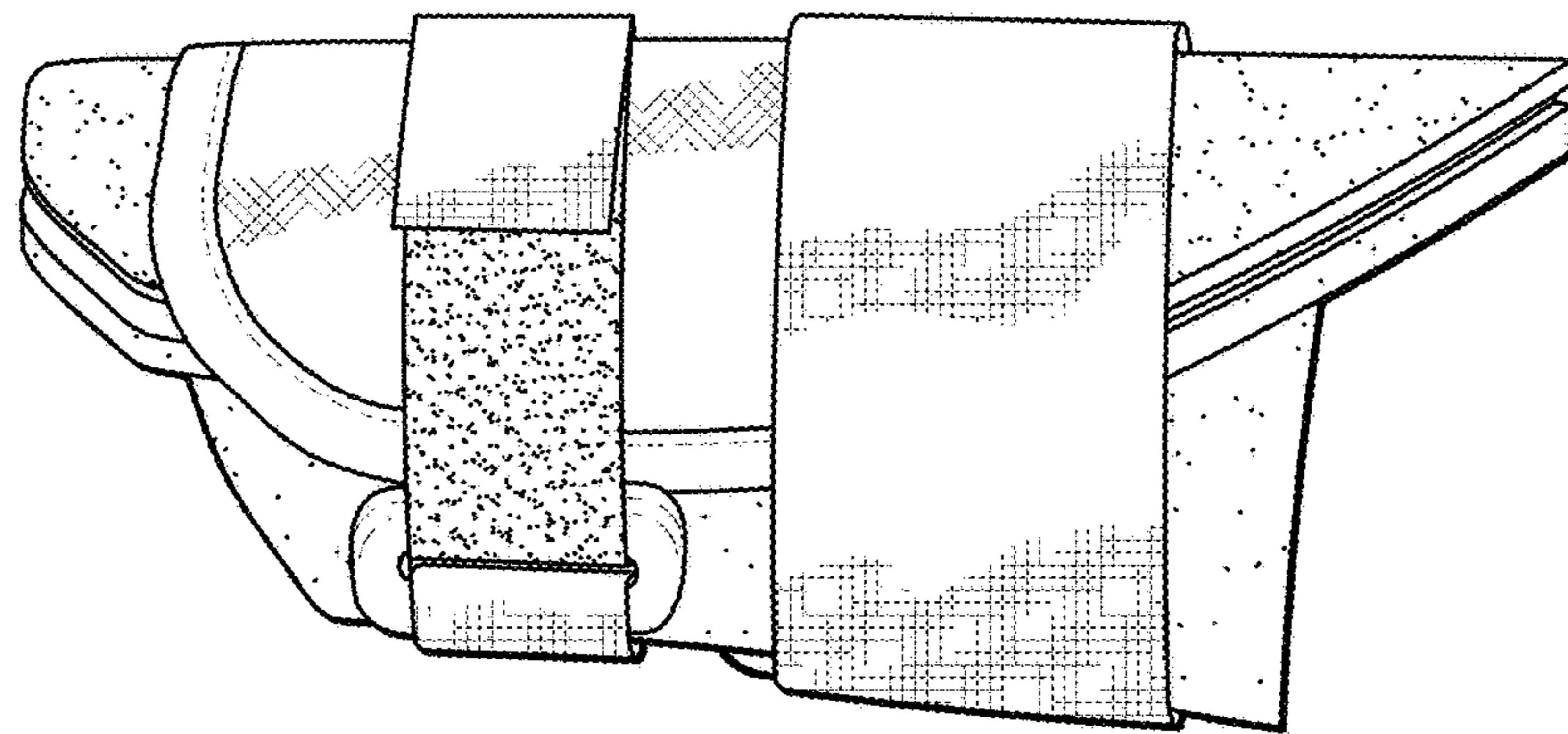
**FIG. 2**



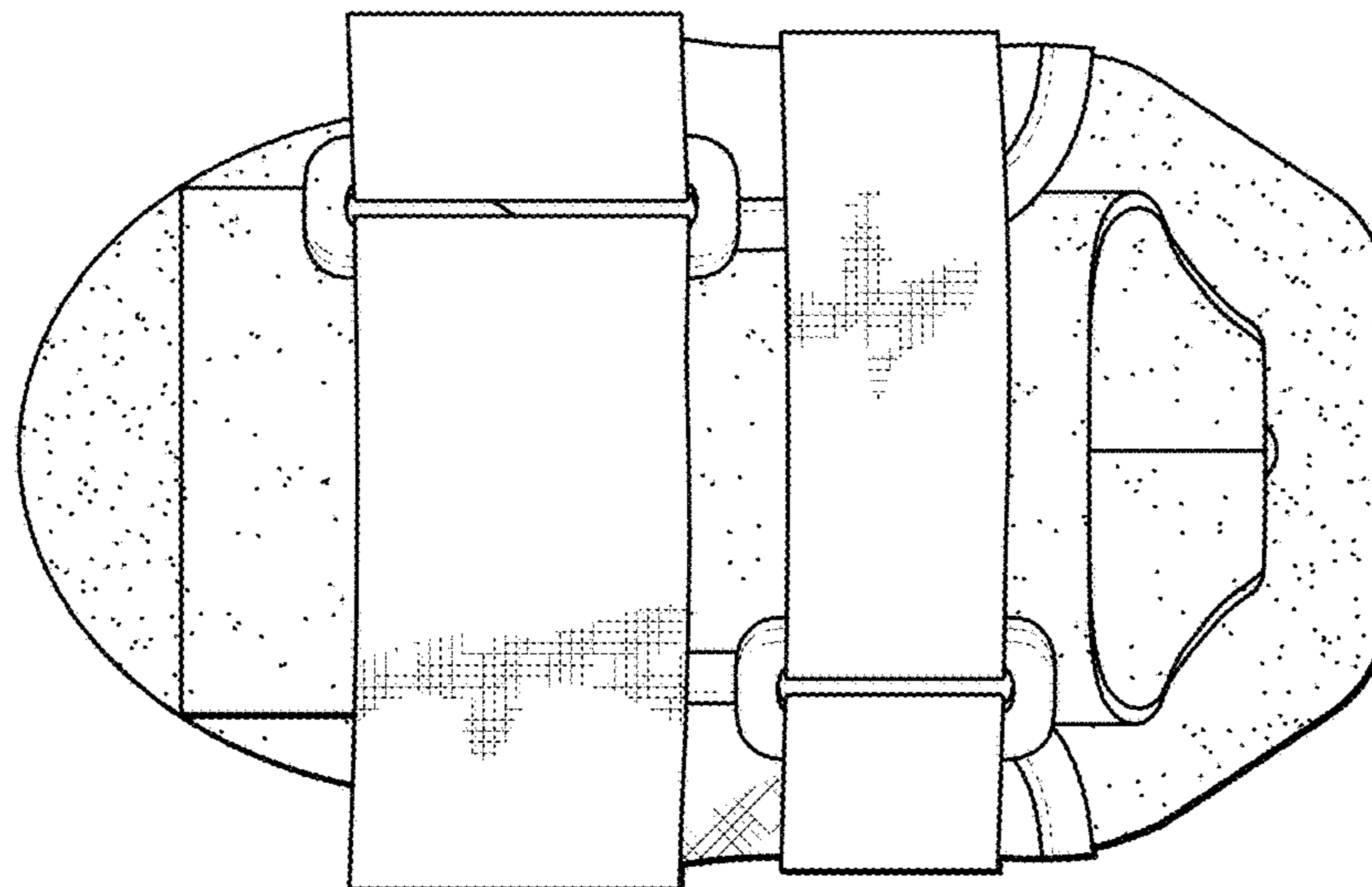
**FIG. 3**



**FIG. 4**

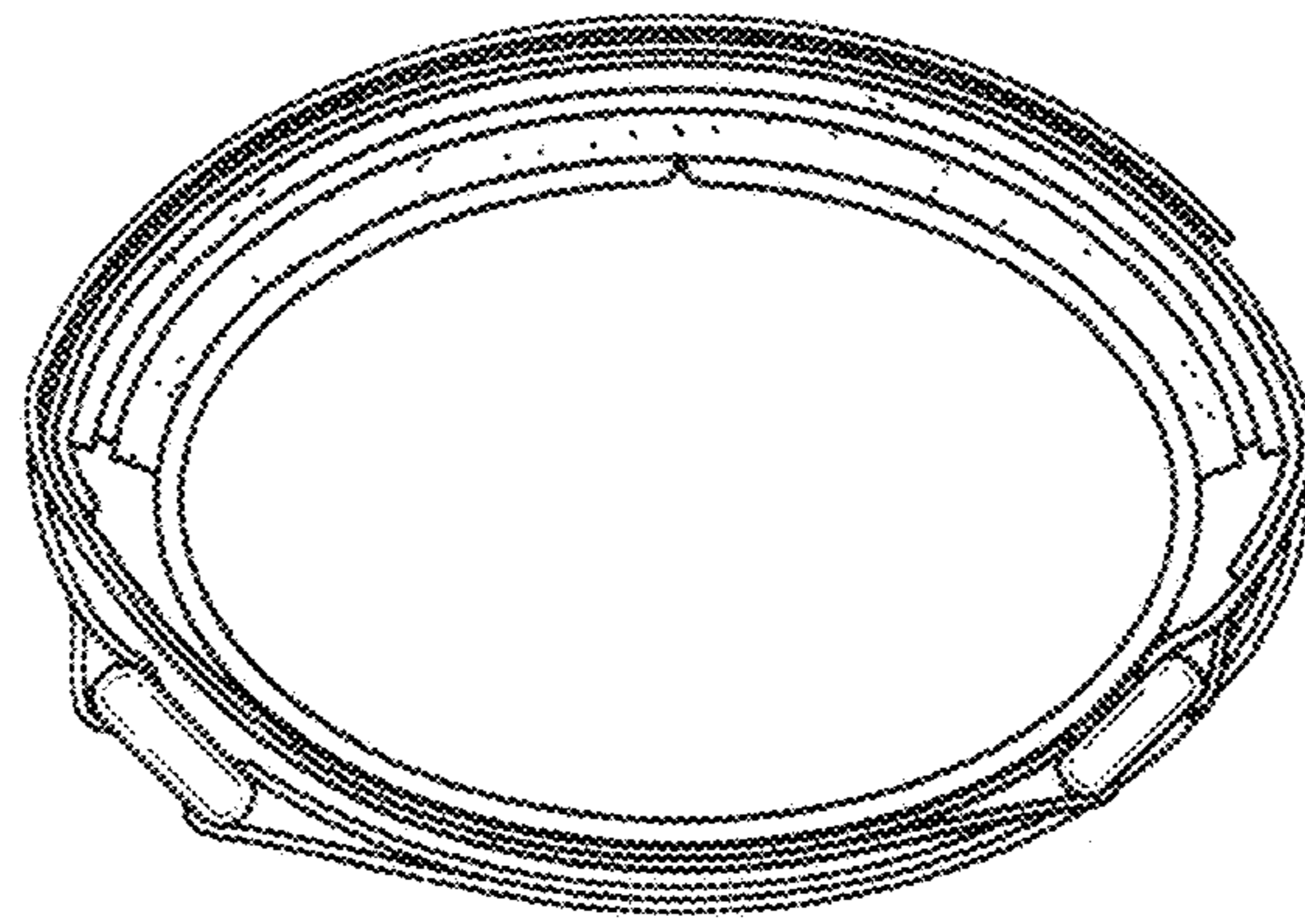


**FIG. 5**





*FIG. 6*



*FIG. 7*

