



US00D848004S

(12) **United States Design Patent** (10) **Patent No.:** **US D848,004 S**
Del Rossi et al. (45) **Date of Patent:** **** May 7, 2019**

(54) **BANDAGE**

(71) Applicant: **VOMARIS INNOVATIONS, INC.**,
Tempe, AZ (US)

(72) Inventors: **Joseph Del Rossi**, Tempe, AZ (US);
Mary Maijer, Tempe, AZ (US)

(73) Assignee: **VOMARIS INNOVATIONS, INC.**,
Tempe, AZ (US)

(**) Term: **15 Years**

(21) Appl. No.: **29/628,173**

(22) Filed: **Dec. 1, 2017**

(51) **LOC (11) Cl.** **24-04**

(52) **U.S. Cl.**
USPC **D24/189**

(58) **Field of Classification Search**
USPC D24/124–128, 132, 133, 185–193, 199,
D24/200, 206, 209, 210, 212–215;
D29/100, 108, 121.1, 121.2; D30/146
CPC A61F 13/023; A61F 15/008; A61F 15/004;
A61F 2013/00646; A61M 2025/0246;
A61M 1/0088; A61M 27/00
See application file for complete search history.

(56) **References Cited**

U.S. PATENT DOCUMENTS

D253,424 S *	11/1979	Roeder	D24/125
D253,425 S *	11/1979	Roeder	D24/125
D253,674 S *	12/1979	Whitehead	604/358
5,109,874 A *	5/1992	Bellingham	A61F 15/004 128/888
D387,169 S *	12/1997	Dunshee	D24/189
D389,244 S *	1/1998	Dunshee	D24/189
D424,699 S *	5/2000	Allen	D24/189
D438,962 S *	3/2001	Velazquez	D24/125
D476,416 S *	6/2003	MacDonagh	D24/124
D611,611 S *	3/2010	Sachi	D24/189
D731,644 S *	6/2015	Robles	D24/125

D746,996 S *	1/2016	Karlsson	D24/189
D790,071 S *	6/2017	Ahsani	D24/189
2011/0092874 A1 *	4/2011	Baschnagel	A61F 13/0203 602/54

OTHER PUBLICATIONS

The Ohio State University. Study Shows Electric Bandages Can Fight Biofilm Infection, Antimicrobial Resistance. Nov. 6, 2017 [earliest online date]: <URL:https://wexnermedical.osu.edu/mediaroom/pressreleaselisting/study-shows-electric-bandages-can-fight-biofilm-infection-antimicrobial-resistance>. (Year: 2017).*
Twitter. Procellera Rx. Oct. 11, 2013 [earliest online date], [site visited Aug. 8, 2018]. Available from Internet, <URL:https://twitter.com/Procellera/status/388749878521634816>. (Year: 2013).*

* cited by examiner

Primary Examiner — George D. Kirschbaum

Assistant Examiner — Darcey E Heflin

(74) *Attorney, Agent, or Firm* — K&L Gates LLP; Louis C. Cullman; Brian J. Novak

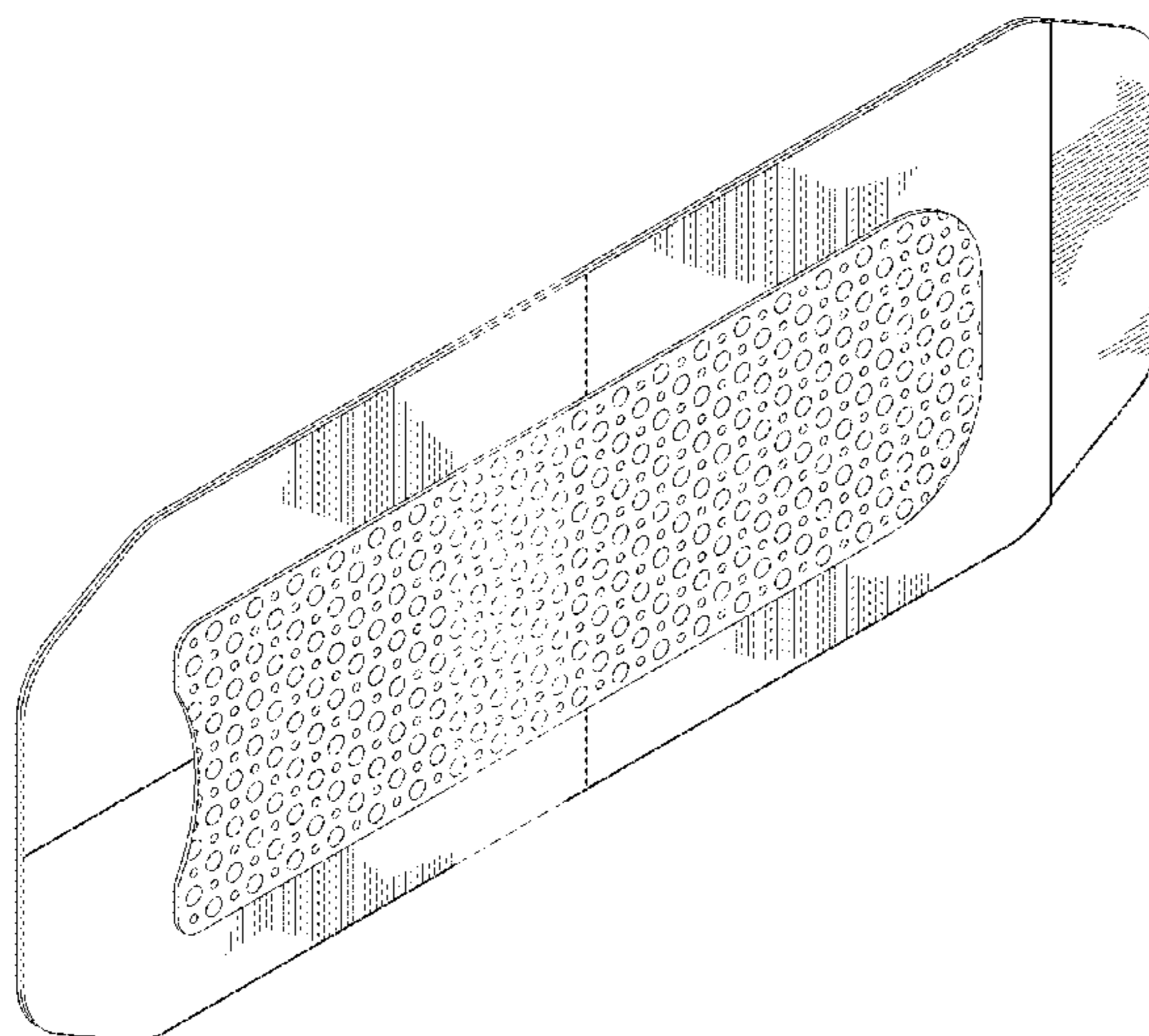
(57) **CLAIM**

The ornamental design for a bandage, as shown and described.

DESCRIPTION

FIG. 1 is a perspective view of a bandage of our design. FIG. 2 is a top view of the bandage of FIG. 1. FIG. 3 is a bottom view of the bandage of FIG. 1. FIG. 4 is a first side view of the bandage of FIG. 1. FIG. 5 is a second side view of the bandage of FIG. 1. FIG. 6 is a front view of the bandage of FIG. 1; and, FIG. 7 is a back view of the bandage of FIG. 1. The broken lines shown in the figures are included for the purpose of illustrating portions of the bandage and form no part of the claimed design. Randomly dashed lines represent surface shading.

1 Claim, 4 Drawing Sheets



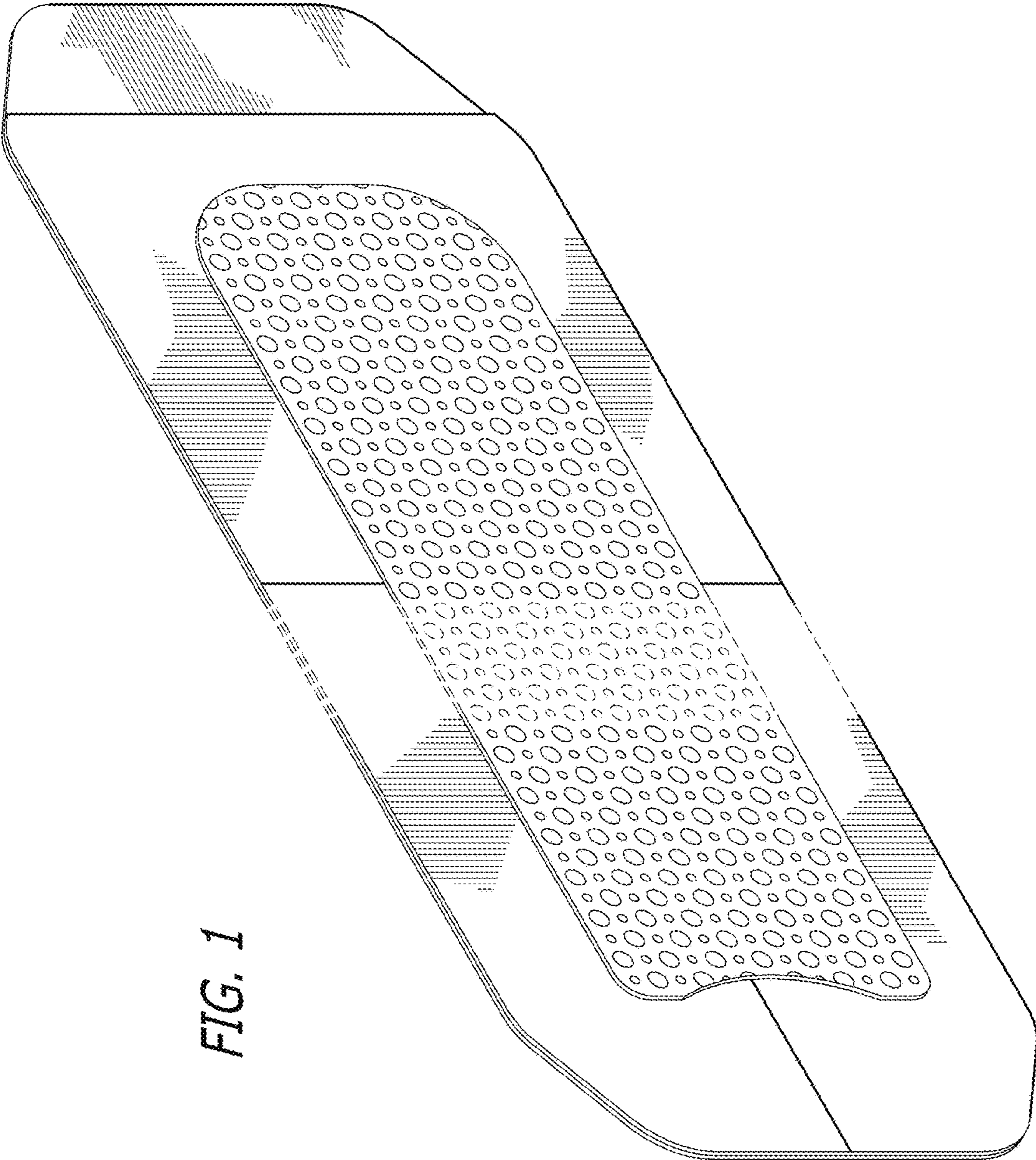


FIG. 1

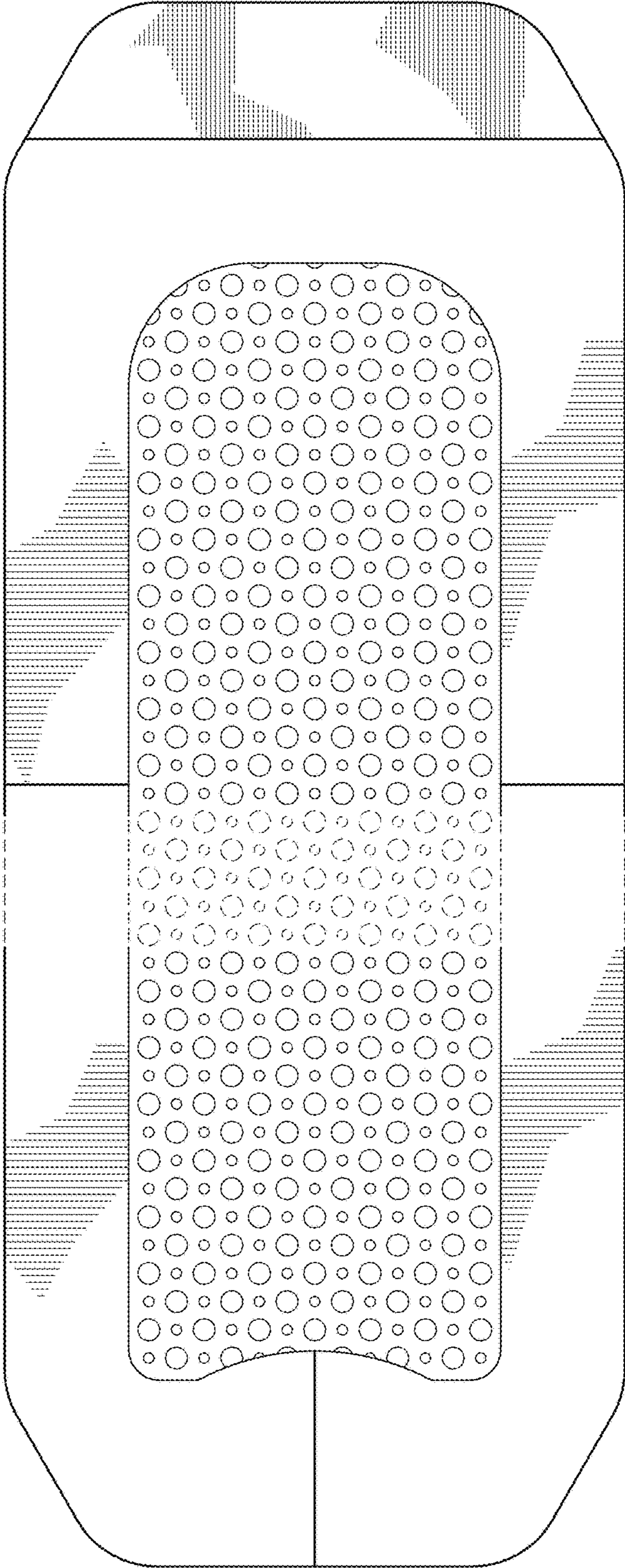


FIG. 2

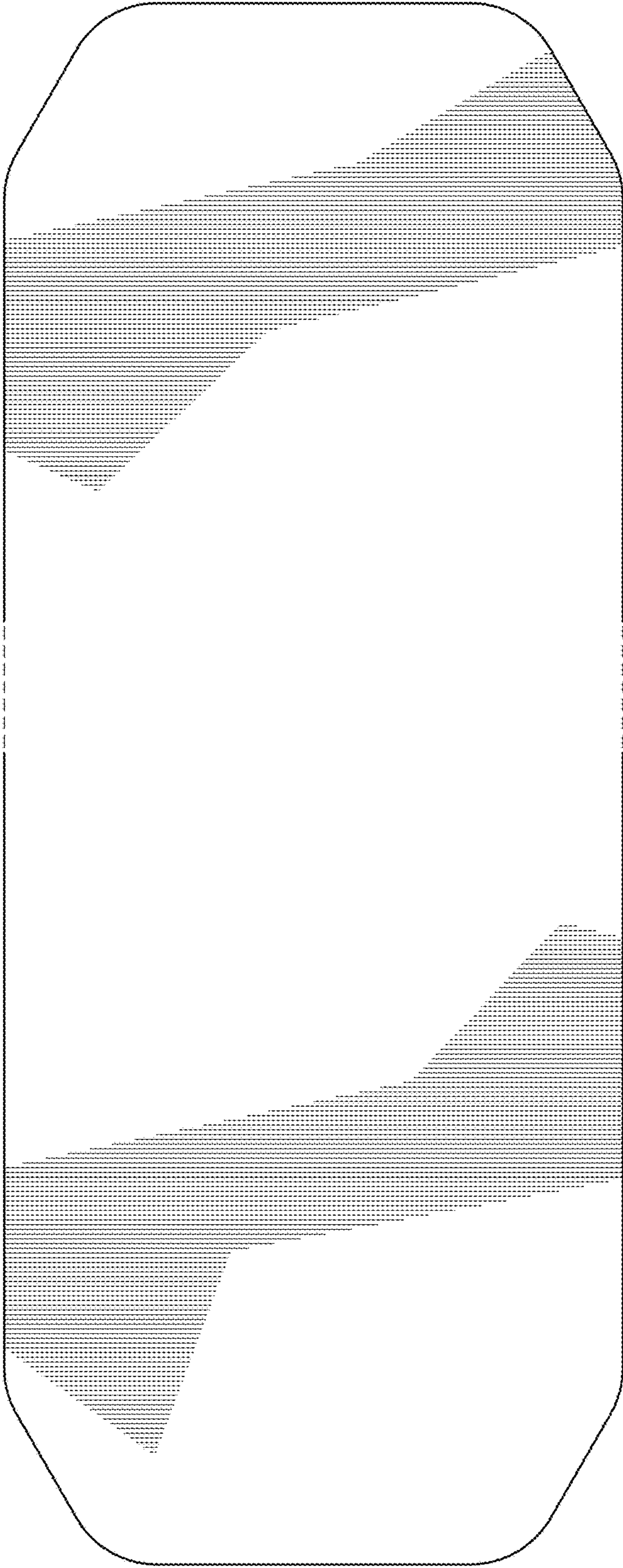


FIG. 3

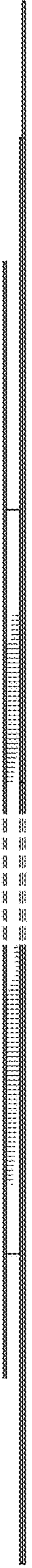


FIG. 4

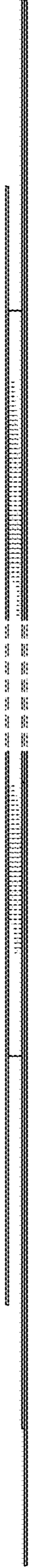


FIG. 5



FIG. 6



FIG. 7