



US00D848003S

(12) **United States Design Patent** (10) **Patent No.:** **US D848,003 S**
Worcester (45) **Date of Patent:** **** May 7, 2019**

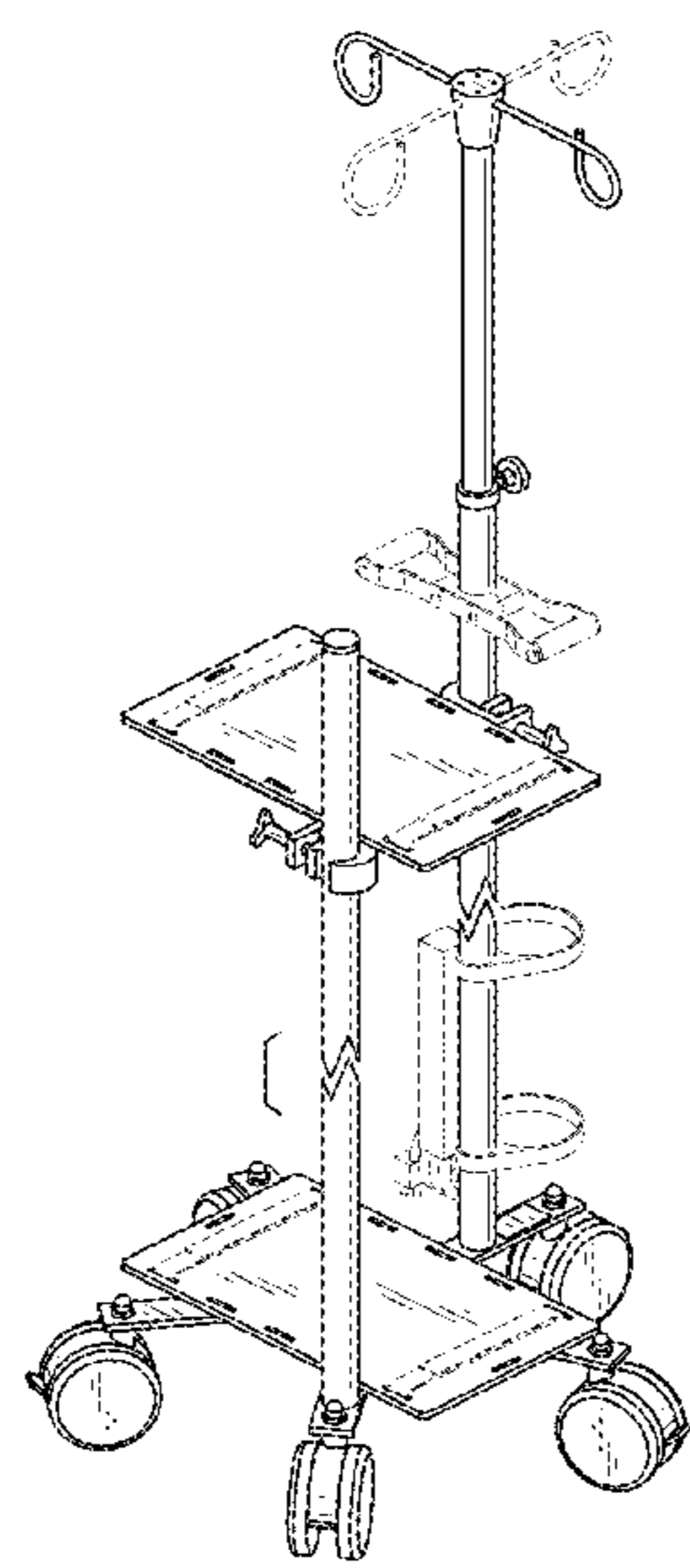
(54) **MEDICAL EQUIPMENT STAND** 4,818,135 A * 4/1989 Desjardins F16B 7/1472
 248/413
 (71) Applicant: **Norman Charles Worcester**, Dana 4,905,944 A * 3/1990 Jost A61M 5/1415
 Point, CA (US) 248/125.8
 D308,725 S 6/1990 Kraus
 D310,570 S 9/1990 Wells
 (72) Inventor: **Norman Charles Worcester**, Dana D315,214 S * 3/1991 Nowak D24/128
 Point, CA (US) D325,440 S 4/1992 Landis et al.
 5,110,076 A * 5/1992 Snyder A61M 5/1415
 248/125.3
 (**) Term: **15 Years** 5,135,191 A 8/1992 Schmuhl
 D331,108 S * 11/1992 Curbbun D24/128
 D336,708 S * 6/1993 Boughey D34/21
 (21) Appl. No.: **29/599,968** (Continued)
 (22) Filed: **Apr. 7, 2017**
 (51) **LOC (11) Cl.** **24-00** *Primary Examiner* — David G Muller
 (52) **U.S. Cl.** *Assistant Examiner* — Nathan M Johnston
 USPC **D24/185** (74) *Attorney, Agent, or Firm* — Dunlap Bennett &
 Ludwig PLLC; Brendan E. Squire
 (58) **Field of Classification Search**
 USPC D24/185, 186, 130, 143, 150, 164, 170,
 D24/171, 172, 183, 188, 221, 234;
 D6/406.1, 406.2, 682; D34/14, 17, 19,
 D34/21, 23; 351/206, 224, 226;
 248/125.8, 142.1, 447.1
 CPC .. A61B 90/50; A61B 1/00149; F16M 11/126;
 F16M 11/24; F16M 11/42; A61M 5/1415;
 Y10T 74/20329
 See application file for complete search history.

(56) **References Cited**
 U.S. PATENT DOCUMENTS
 D252,300 S 7/1979 Pryor
 4,225,104 A * 9/1980 Larson A61G 7/0503
 16/422
 D260,816 S 9/1981 Zissimopoulos et al.
 D263,995 S 4/1982 Steele
 4,332,378 A * 6/1982 Pryor A61M 5/1415
 135/67
 D281,453 S 11/1985 DiGianfilippo et al.
 4,725,027 A * 2/1988 Bekanich A61M 5/1415
 248/125.8
 4,744,536 A * 5/1988 Bancalari A61M 5/1415
 248/125.8

(57) **CLAIM**
 The ornamental design for a medical equipment stand, as shown and described.

DESCRIPTION
 FIG. 1 is a front perspective of a medical equipment stand showing my new design;
 FIG. 2 is a front elevation view thereof;
 FIG. 3 is a rear elevation view thereof;
 FIG. 4 is a left side elevation view thereof;
 FIG. 5 is a right side elevation view thereof;
 FIG. 6 is a top plan view thereof; and,
 FIG. 7 is a bottom plan view thereof.
 The broken lines shown in the drawings illustrate portions of the medical equipment stand that form no part of the claimed design.
 The medical equipment stand is shown with a symbolic break in its length. The appearance of any portion of the article between the break lines forms no part of the claimed design.

1 Claim, 3 Drawing Sheets



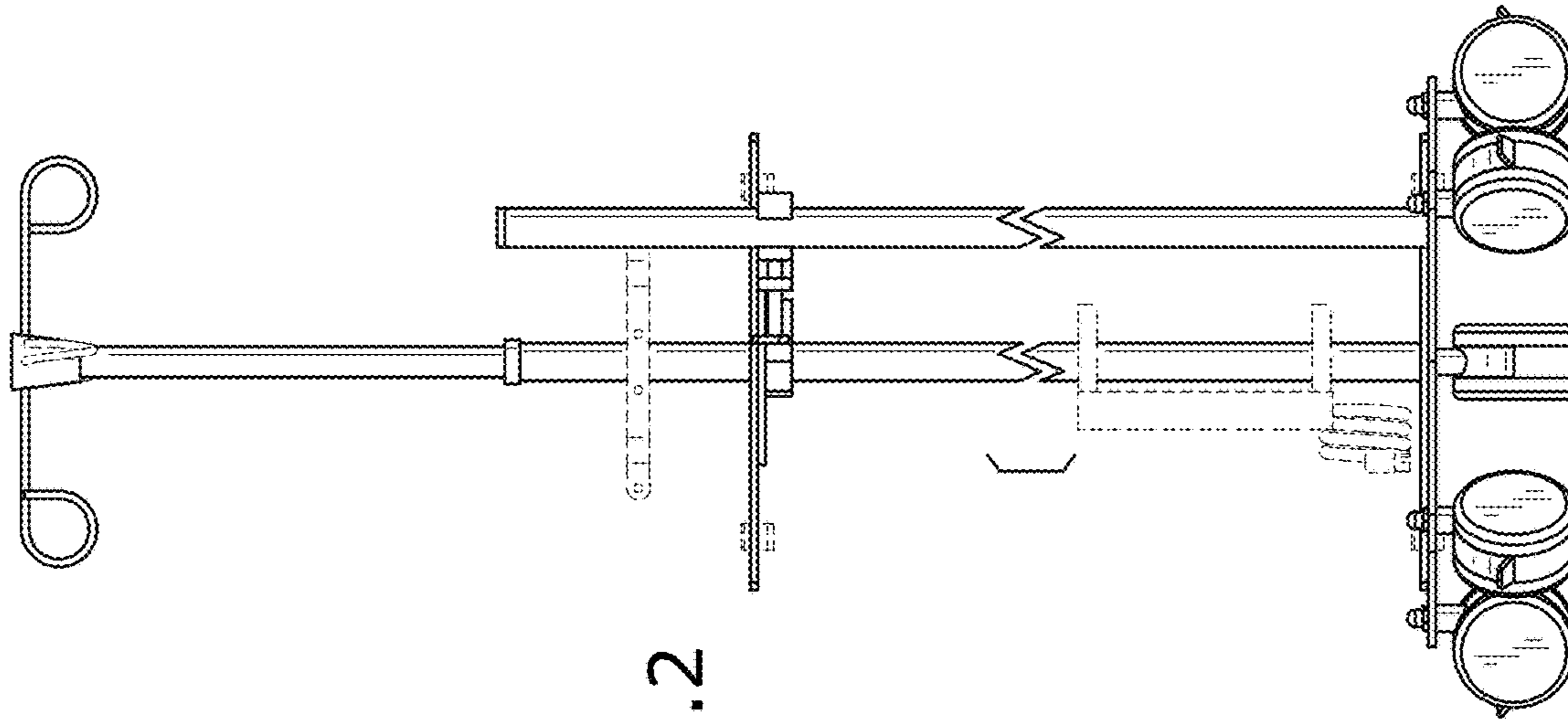


FIG. 2

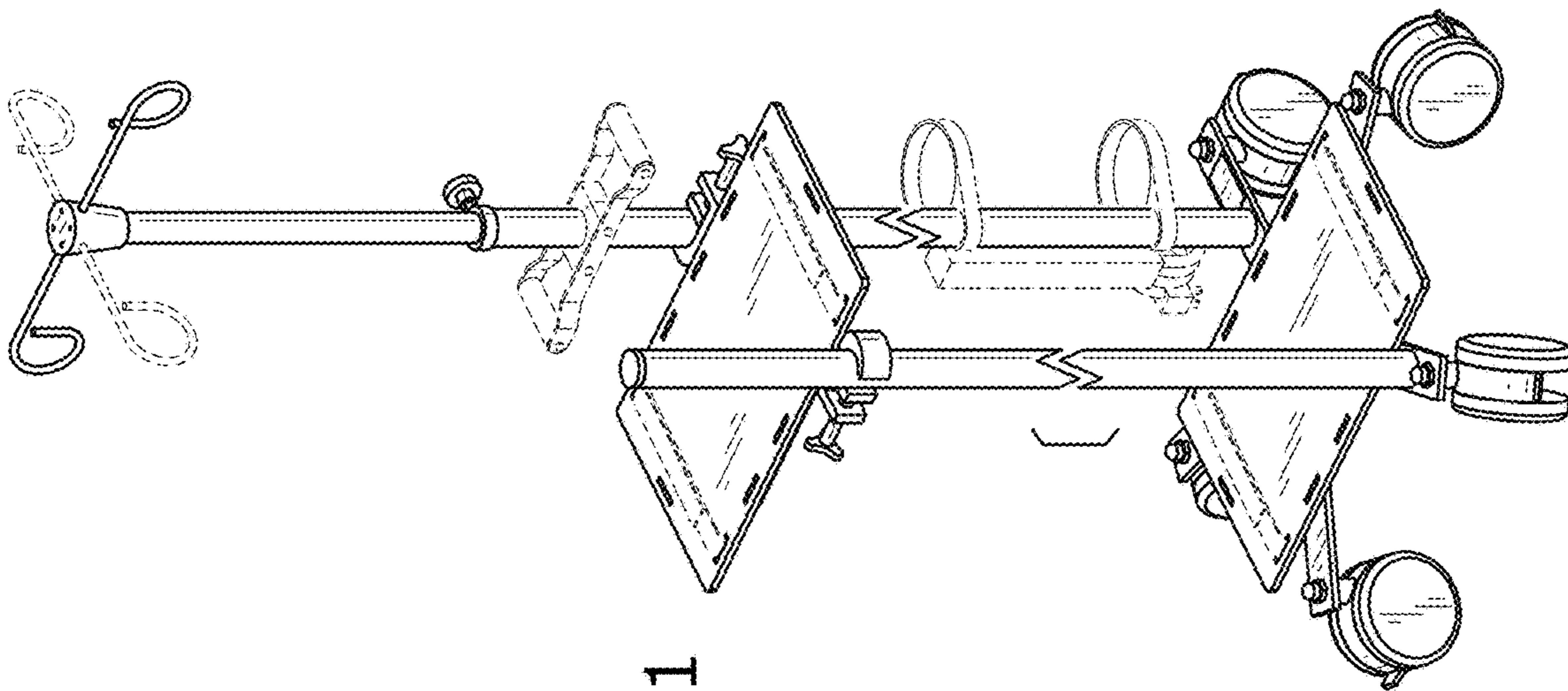


FIG. 1

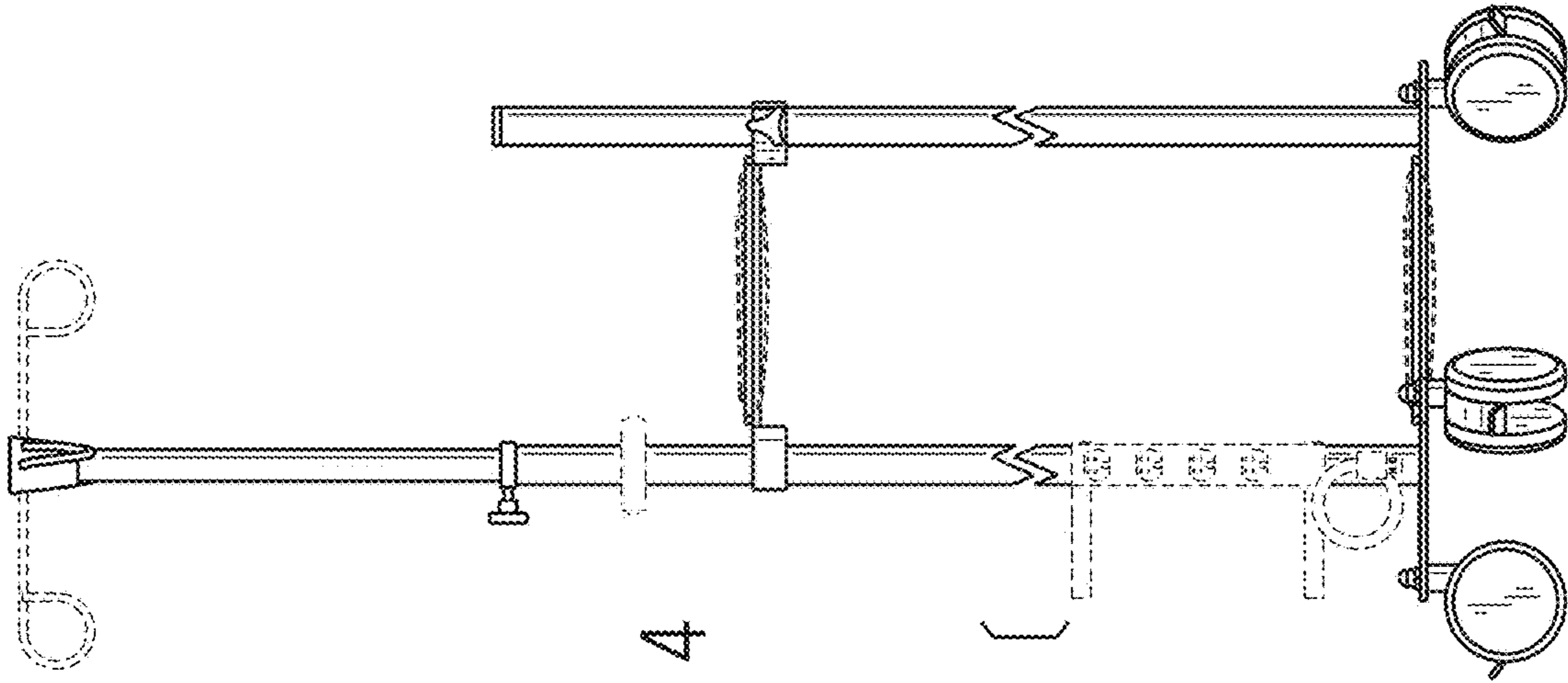


FIG. 4

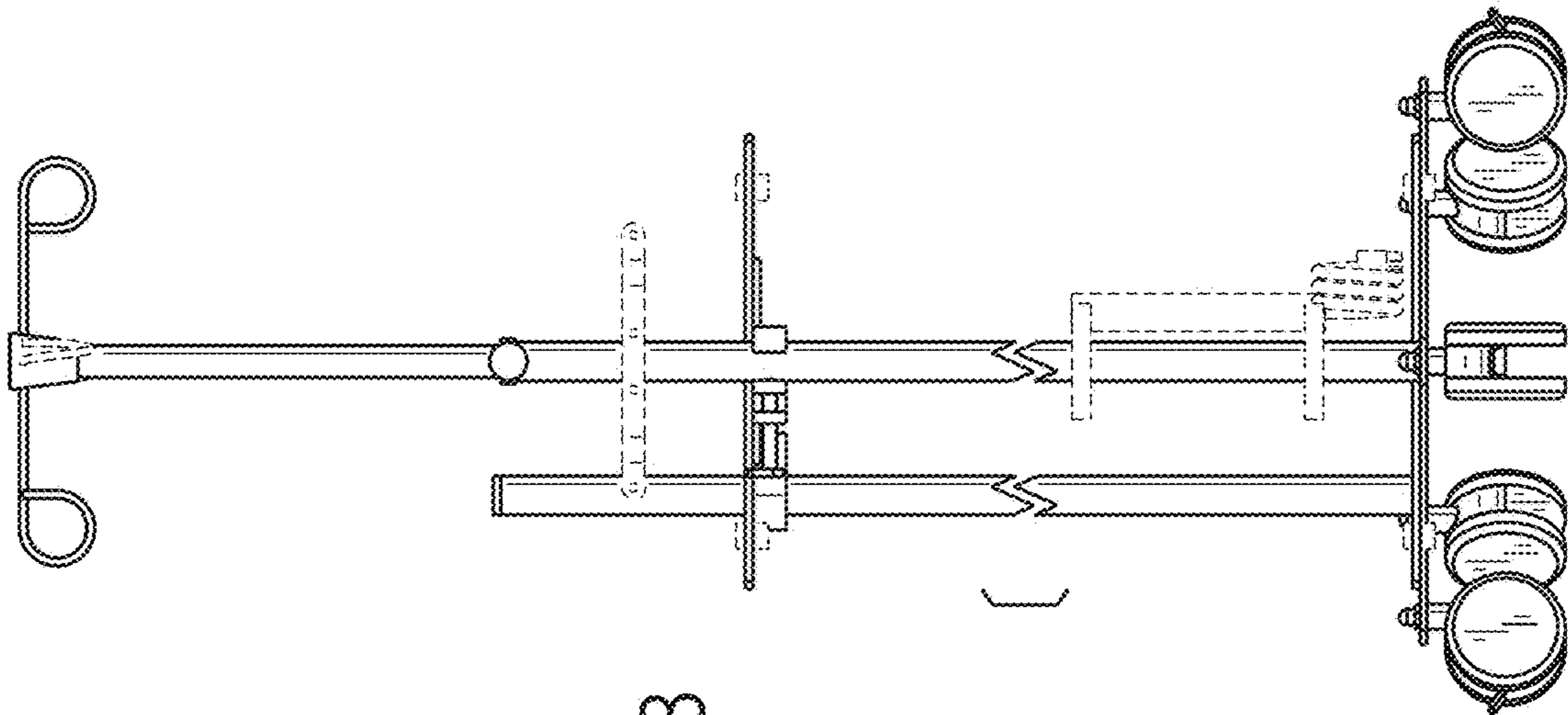


FIG. 3

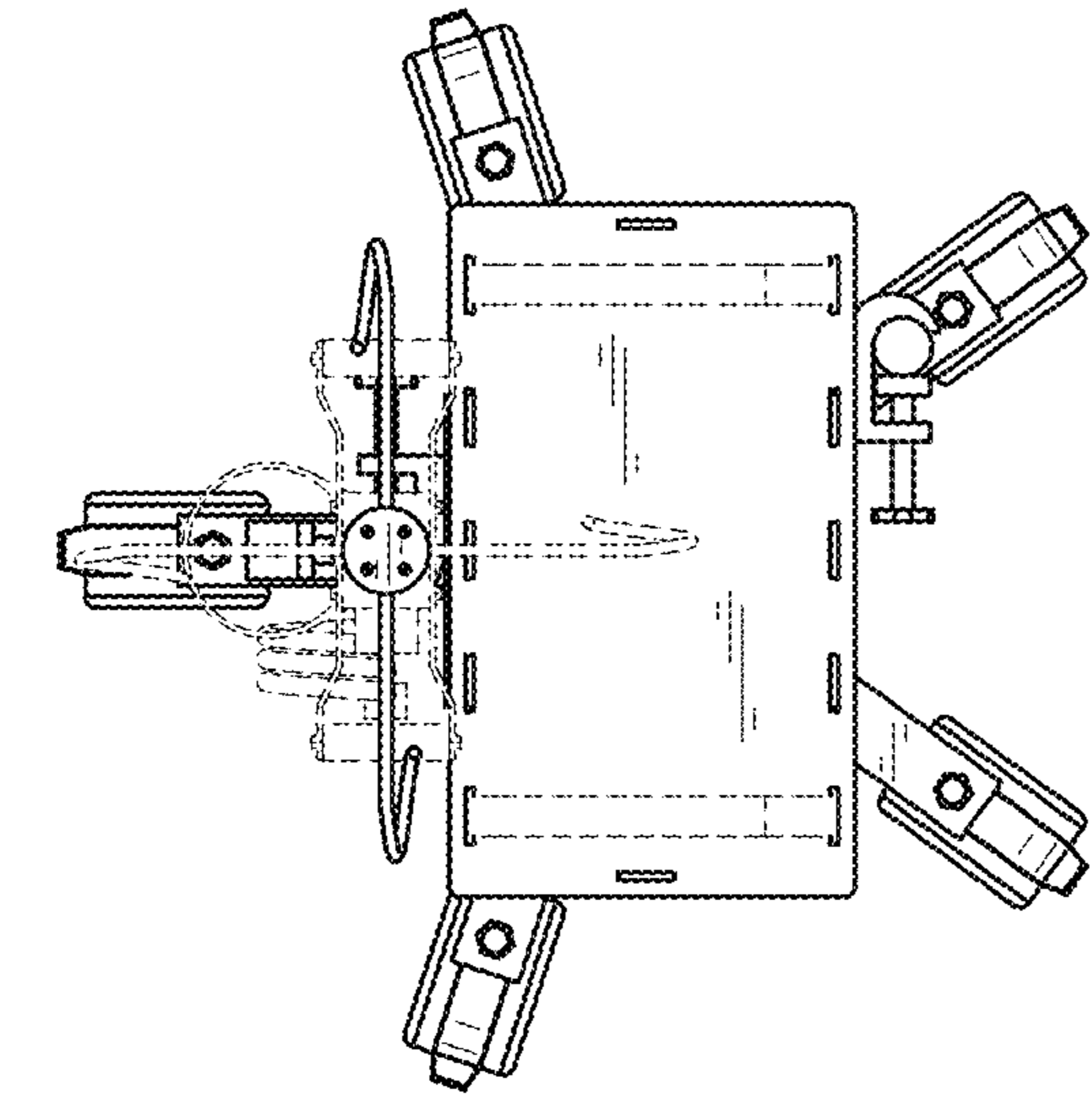


FIG. 6

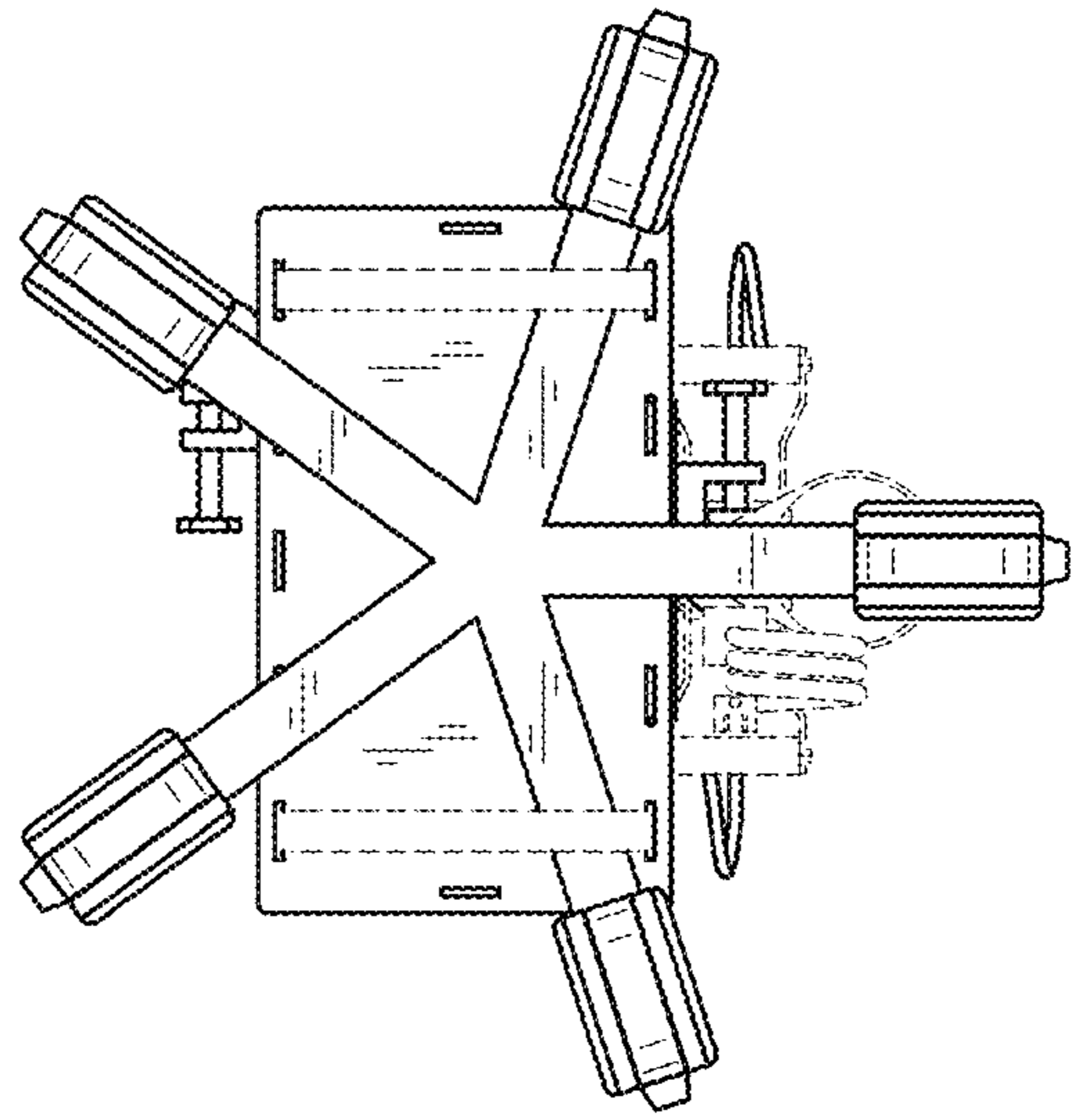


FIG. 7

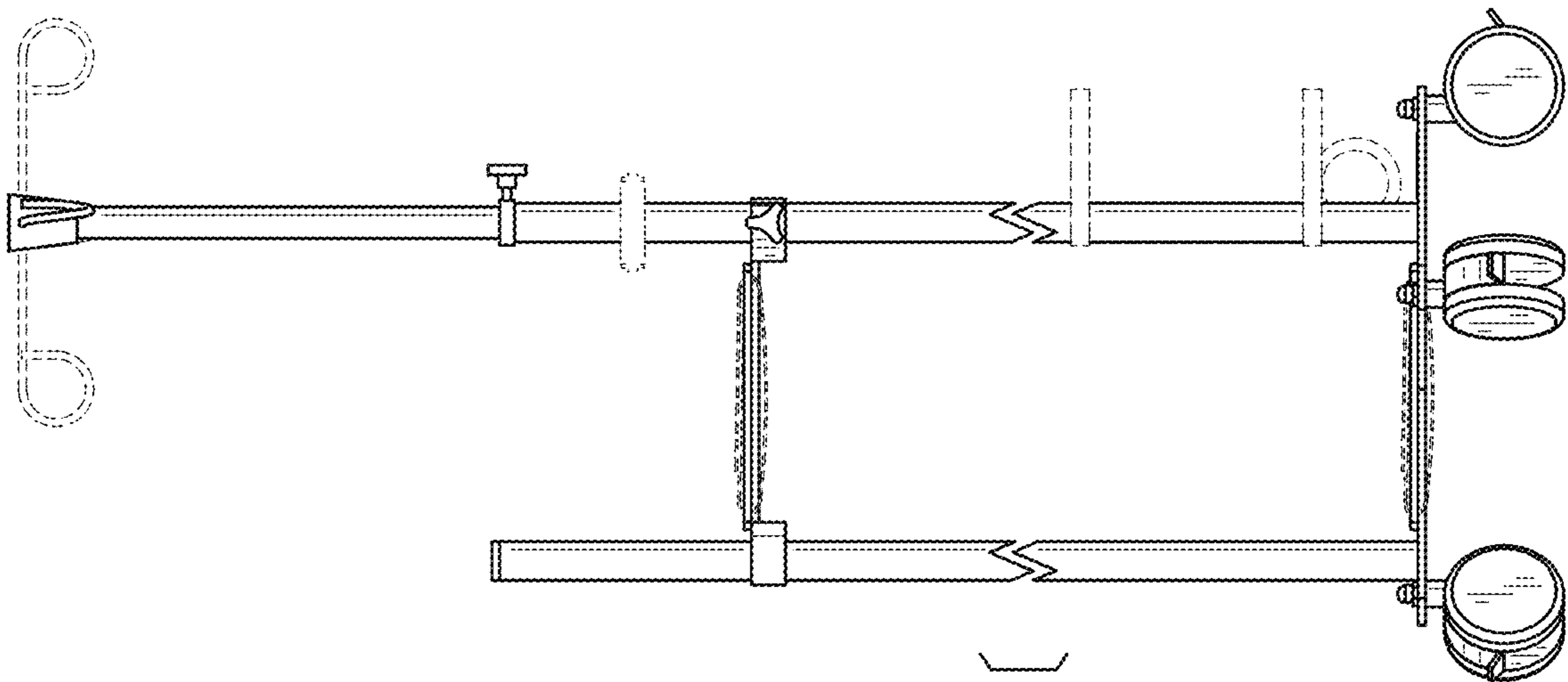


FIG. 5