



US00D848002S

(12) **United States Design Patent** (10) **Patent No.:** **US D848,002 S**
Simson (45) **Date of Patent:** **** May 7, 2019**

(54) **PATIENT LIFT**
(71) Applicant: **Anton K. Simson**, Truckee, CA (US)
(72) Inventor: **Anton K. Simson**, Truckee, CA (US)
(**) Term: **15 Years**
(21) Appl. No.: **29/610,339**
(22) Filed: **Jul. 11, 2017**

D403,828 S * 1/1999 Greaves D34/33
D454,998 S * 3/2002 Czemerer D34/28
D475,952 S * 6/2003 Nelson D12/131
D549,345 S * 8/2007 Mascull D24/183
D590,565 S * 4/2009 Spidare D34/18
D721,179 S * 1/2015 Matsuda D24/183
2016/0296400 A1 * 10/2016 Simson A61G 7/1017

Related U.S. Application Data

(63) Continuation-in-part of application No. 29/559,299, filed on Mar. 25, 2016.
(51) **LOC (11) Cl.** **24-02**
(52) **U.S. Cl.**
USPC **D24/183**
(58) **Field of Classification Search**
USPC D24/183, 184, 190, 191, 192;
D29/101.3, 120.1, 121.1, 121.2, 122;
D6/382, 383, 384, 406.1–406.6, 596, 601,
D6/604, 610, 611, 710, 712, 716.2, 716.4,
D6/716.6, 718, 718.3; D2/720, 826, 860,
D2/861
CPC A61G 1/003–1/013; A61G 1/04–1/052;
A61G 7/1036; A61G 7/1053–7/1057
See application file for complete search history.

(56) **References Cited**

U.S. PATENT DOCUMENTS

D318,920 S * 8/1991 Bruhl, Jr. D24/184
D373,278 S * 9/1996 Chow D6/601
D374,368 S * 10/1996 Sprigle D6/596

OTHER PUBLICATIONS

DME Innovations Co. EquityNet. [online] Retrieved Jun. 7, 2018 from URL: <https://www.equitynet.com/c/dme-innovations-co>.*

* cited by examiner

Primary Examiner — Vy N Koenig
(74) *Attorney, Agent, or Firm* — Charmasson, Buchaca & Leach, LLP

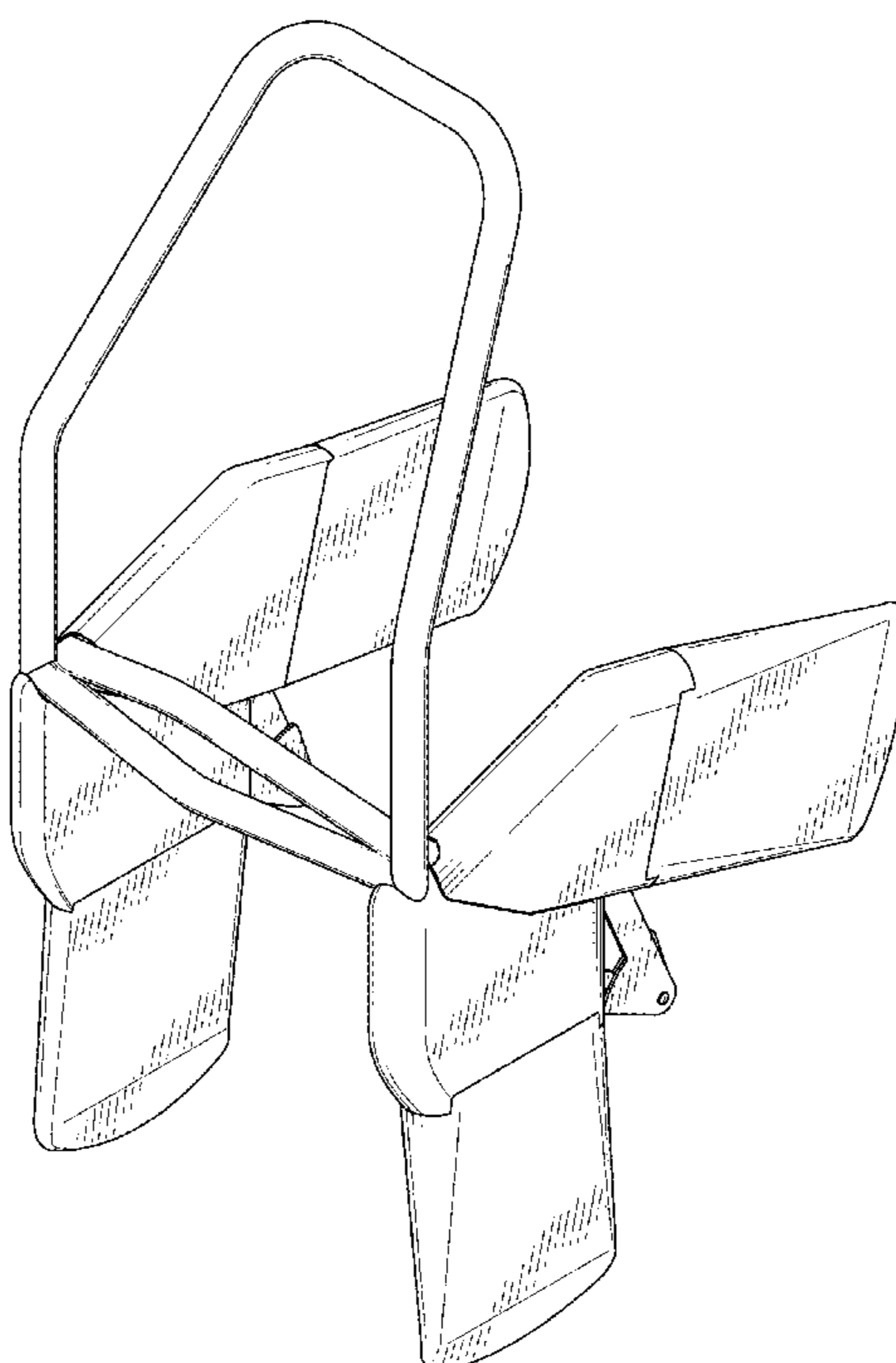
(57) **CLAIM**

The ornamental design for a patient lift, as shown and described.

DESCRIPTION

FIG. 1 is a top front left perspective view of a patient lift according to my new design.
FIG. 2 is a bottom back right perspective view thereof.
FIG. 3 is a front elevation view thereof.
FIG. 4 is a back elevation view thereof.
FIG. 5 is a top plan view thereof.
FIG. 6 is a bottom plan view thereof; and,
FIG. 7 is a right side plan view thereof, the left side plan view being a mirror image thereof.
Shading lines are used to show solid material and are not intended to indicate surface decoration.

1 Claim, 7 Drawing Sheets



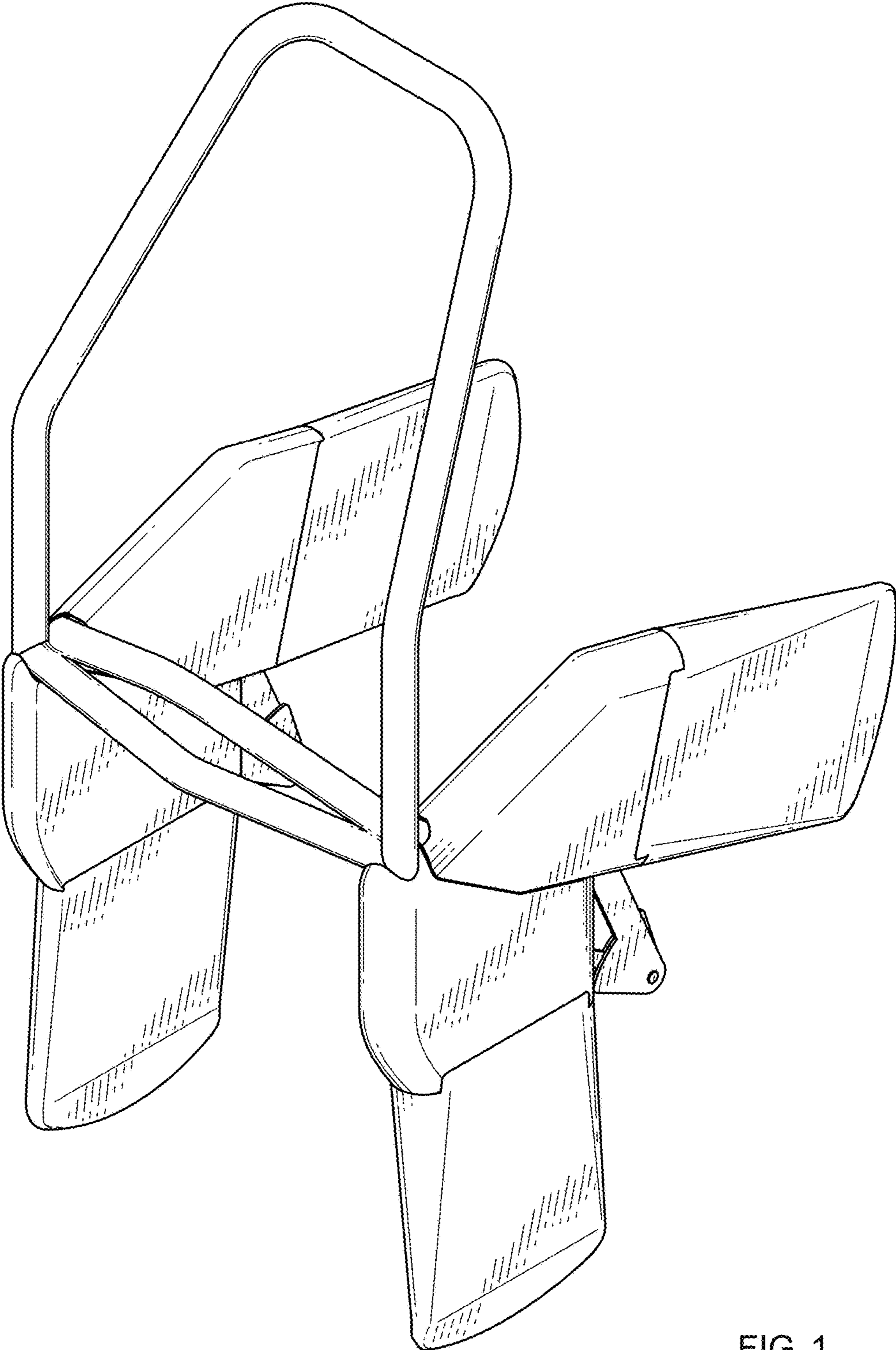


FIG. 1

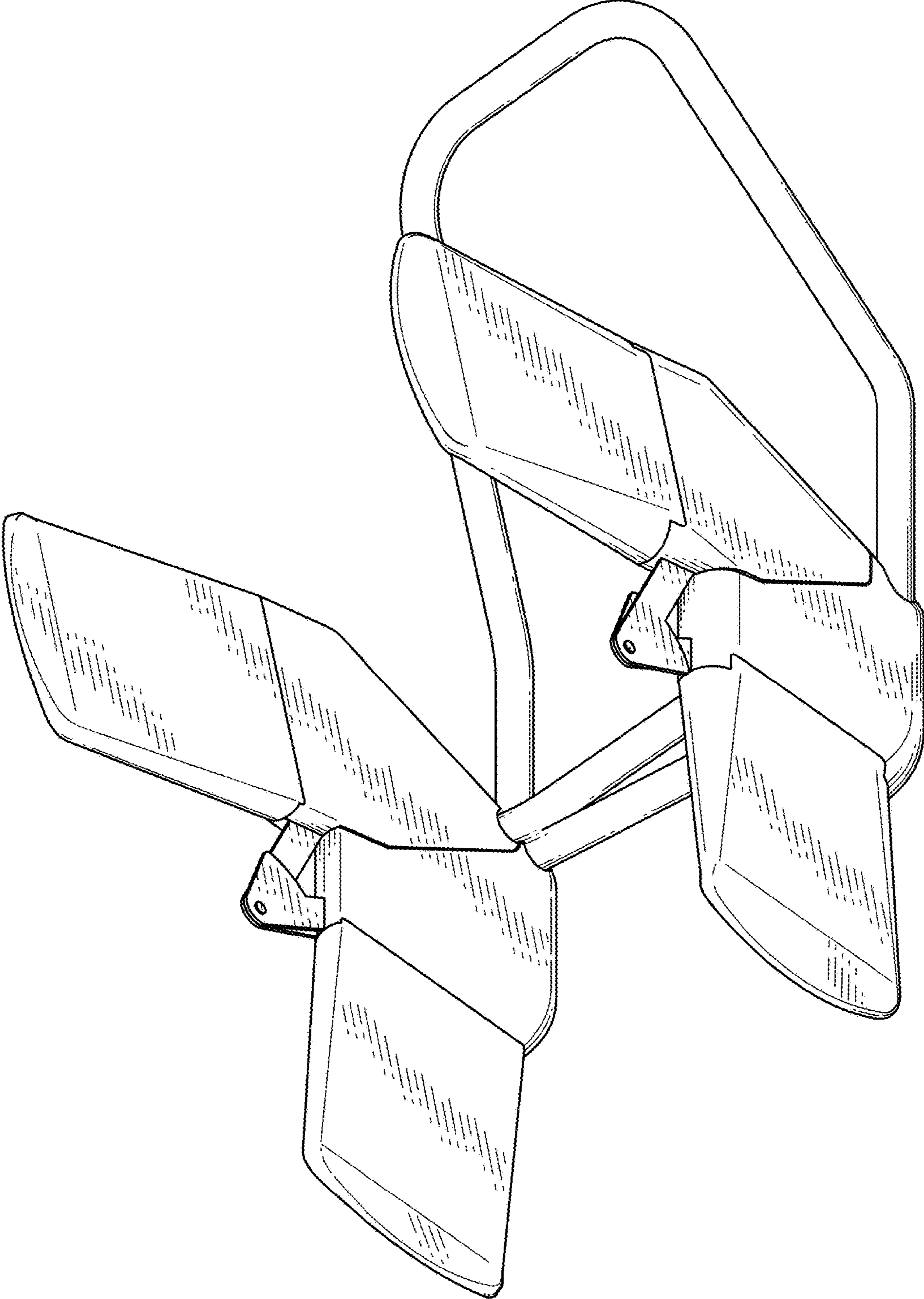


FIG. 2

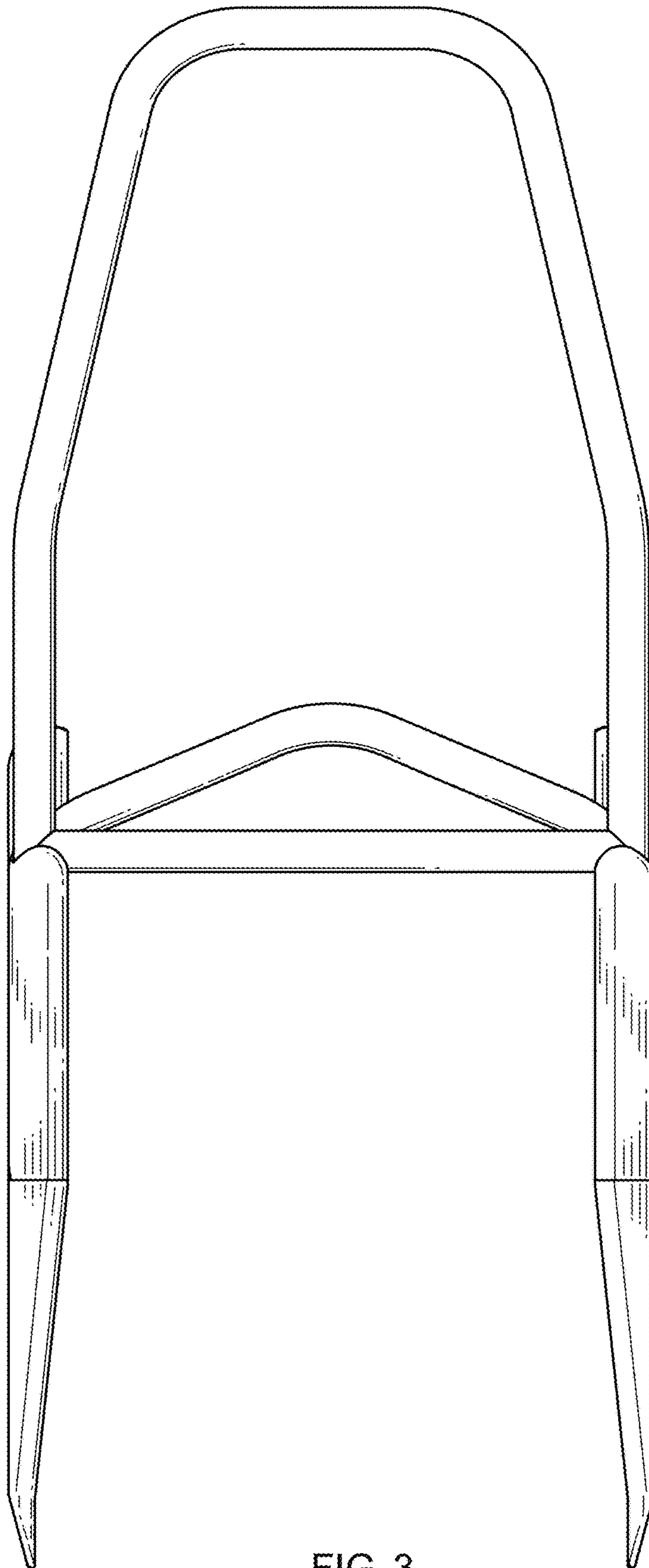


FIG. 3

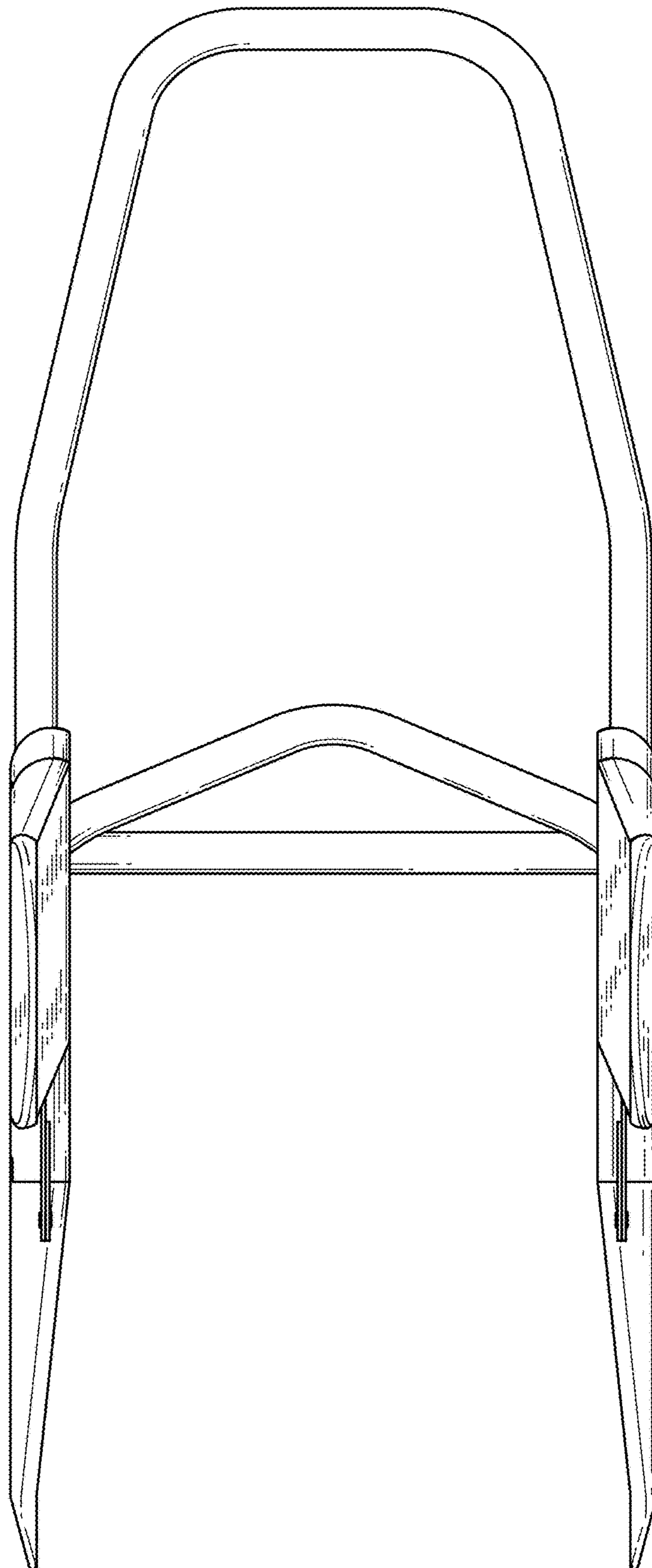


FIG. 4

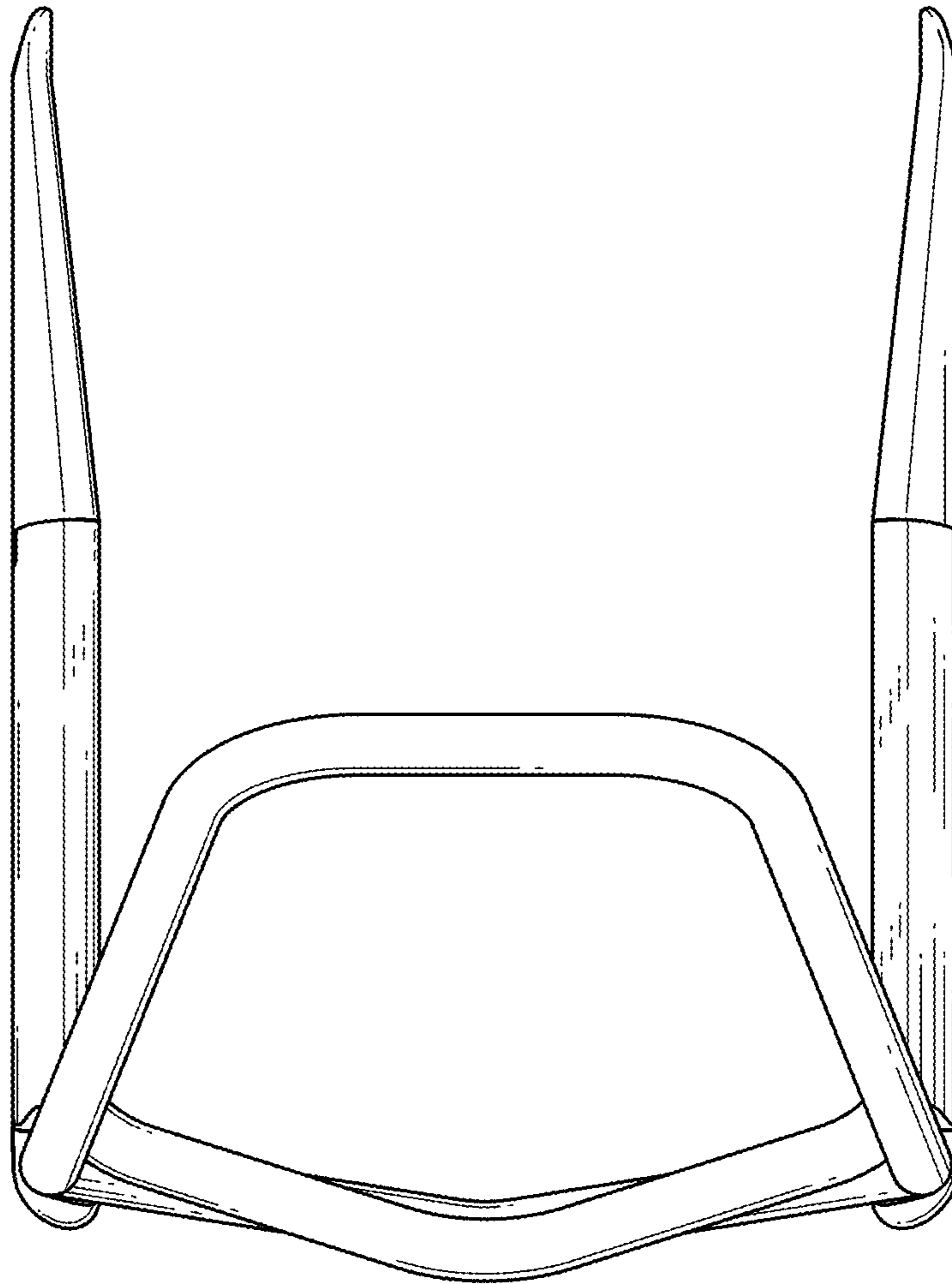


FIG. 5

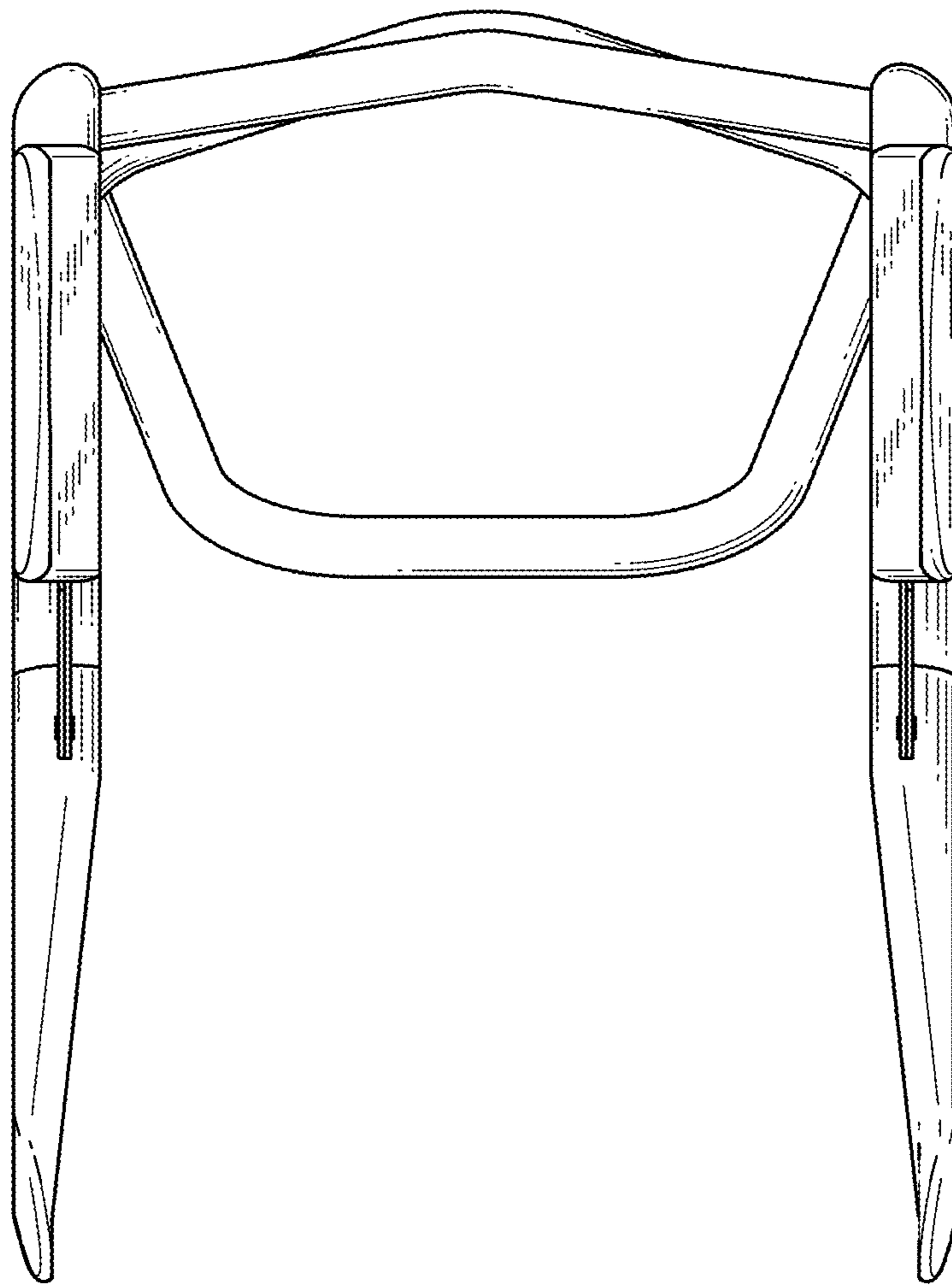


FIG. 6

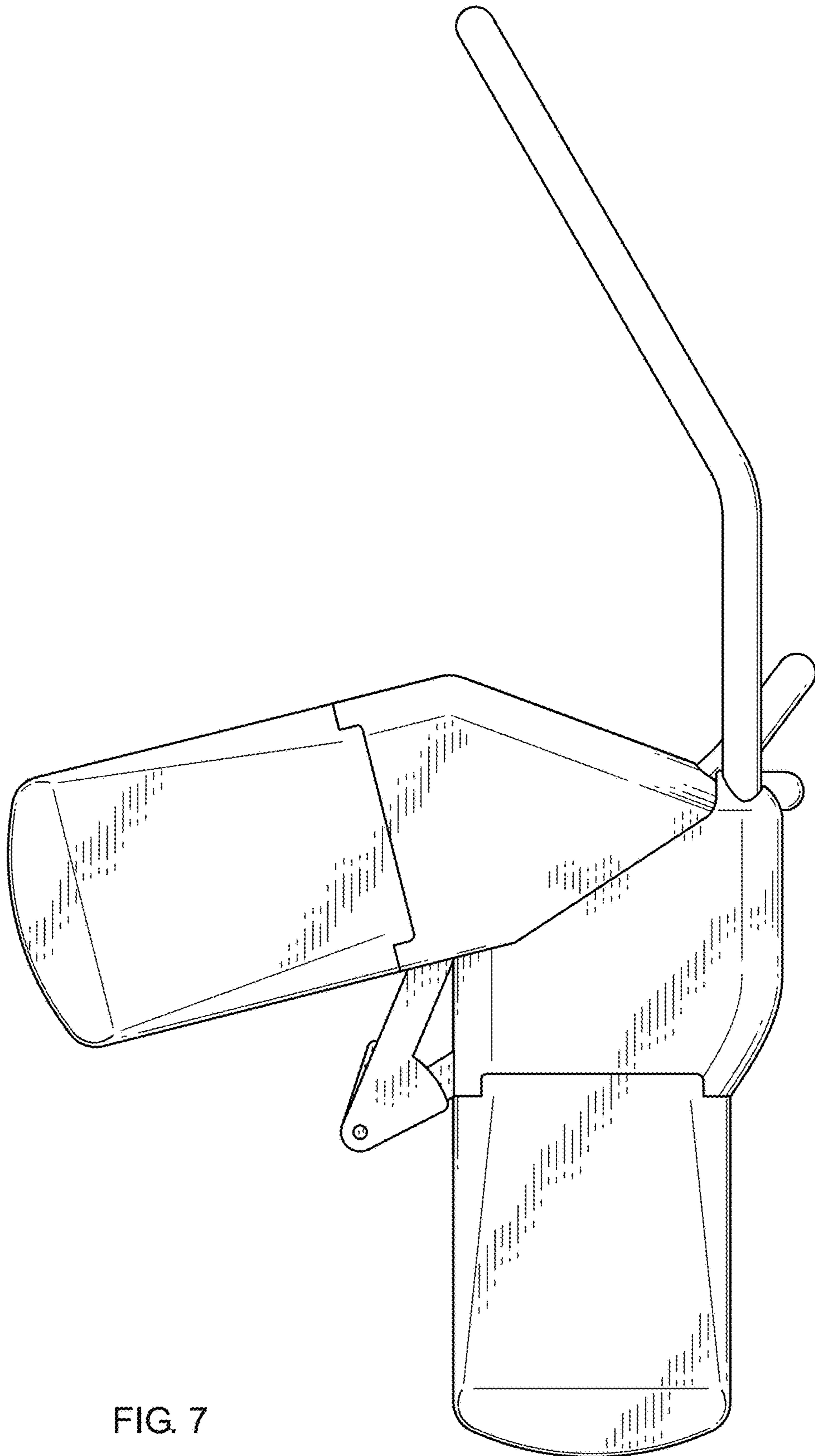


FIG. 7