



US00D848001S

(12) **United States Design Patent**
Buddemeyer et al.

(10) **Patent No.:** **US D848,001 S**

(45) **Date of Patent:** **** *May 7, 2019**

(54) **ORTHODONTIC POST AND PIN ASSEMBLY**

(71) Applicants: **Darren G Buddemeyer**, Ladue, MO
(US); **Matthew K Malabey**,
Wentzville, MO (US)

(72) Inventors: **Darren G Buddemeyer**, Ladue, MO
(US); **Matthew K Malabey**,
Wentzville, MO (US)

(73) Assignee: **OrthoSolutions, LC**, St. Ann, MO (US)

(*) Notice: This patent is subject to a terminal disclaimer.

(**) Term: **15 Years**

(21) Appl. No.: **29/620,309**

(22) Filed: **Oct. 5, 2016**

(51) **LOC (11) Cl.** **24-02**

(52) **U.S. Cl.**
USPC **D24/180**

(58) **Field of Classification Search**
USPC D24/180-182, 156
CPC A61C 7/00; A61C 7/36; A61C 7/34; A61C
7/28; A61C 7/22; A61C 7/18; A61C 7/12;
A61C 7/10; A61C 7/08
See application file for complete search history.

(56) **References Cited**

U.S. PATENT DOCUMENTS

3,924,621 A * 12/1975 Cassimally A61C 7/00
606/236
5,183,388 A * 2/1993 Kumar A61C 7/36
433/19

D346,860 S * 5/1994 Kesling D24/180
6,036,488 A * 3/2000 Williams A61C 7/10
433/17
6,309,215 B1 * 10/2001 Phan A61C 7/00
433/24
6,558,160 B2 * 5/2003 Schnaitter A61C 7/00
433/19
7,578,672 B2 * 8/2009 Sheikh A61C 7/36
433/19
9,393,085 B2 * 7/2016 Mohr A61C 7/36
2006/0234180 A1 * 10/2006 Huge A61C 7/36
433/19
2015/0202075 A1 * 7/2015 Vincent A61C 7/08
128/848
2016/0100915 A1 * 4/2016 Buddemeyer A61C 7/36
433/19

* cited by examiner

Primary Examiner — Wan Laymon

(74) *Attorney, Agent, or Firm* — Paul M Denk

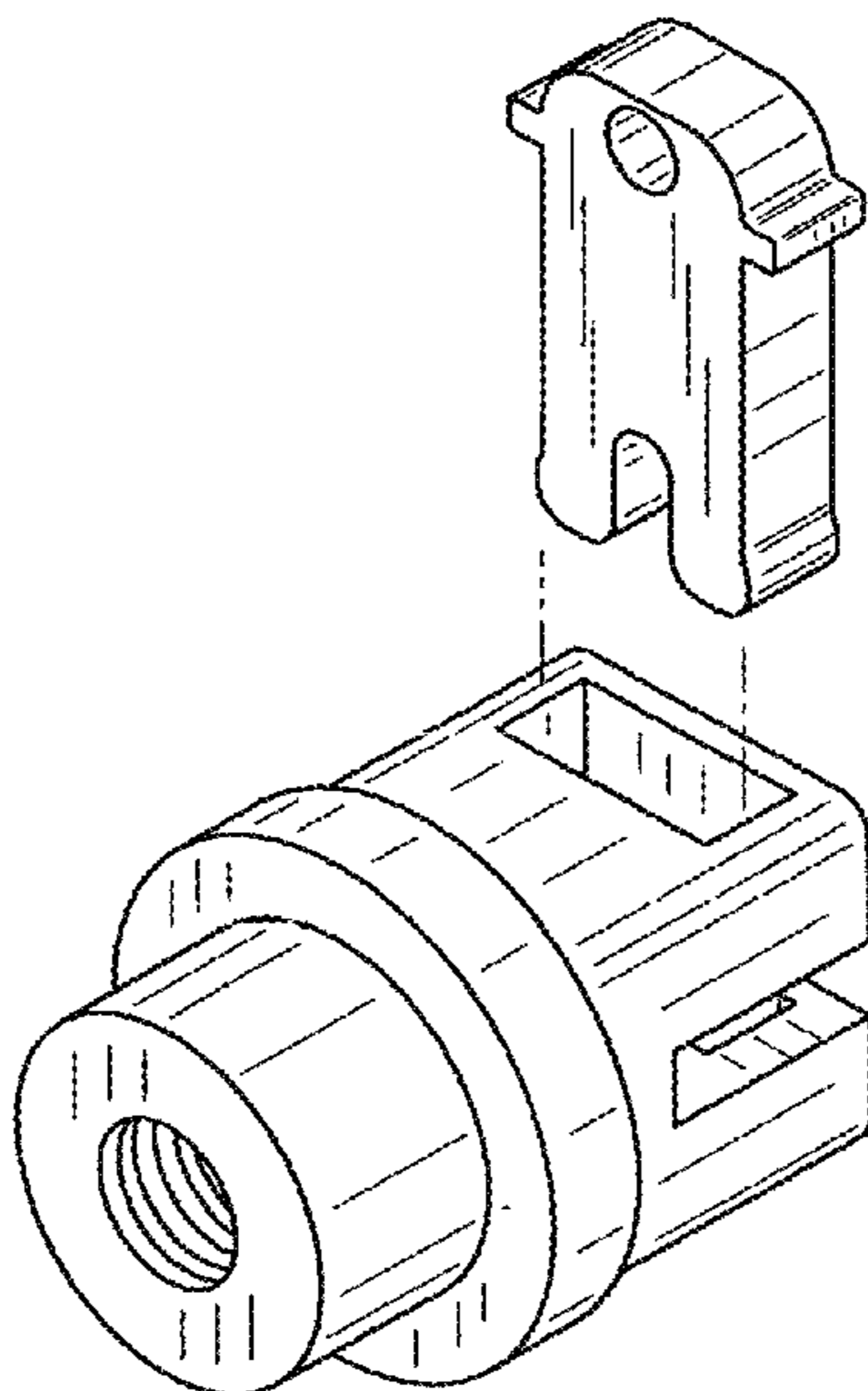
(57) **CLAIM**

The ornamental design for an orthodontic post and pin assembly, as shown and described.

DESCRIPTION

FIG. 1 is an isometric view of the orthodontic post and pin assembly of this invention;
FIG. 2 is an isometric view of the orthodontic post and pin assembly, with the pin being separated from the post;
FIG. 3 is a front view of the invention disclosed in FIG. 1;
FIG. 4 is a rear view of the assembly of FIG. 1;
FIG. 5 is a top view; and,
FIG. 6 is a right side view, the left side view being a mirror image thereof; and,
FIG. 7 is a bottom view.

1 Claim, 1 Drawing Sheet



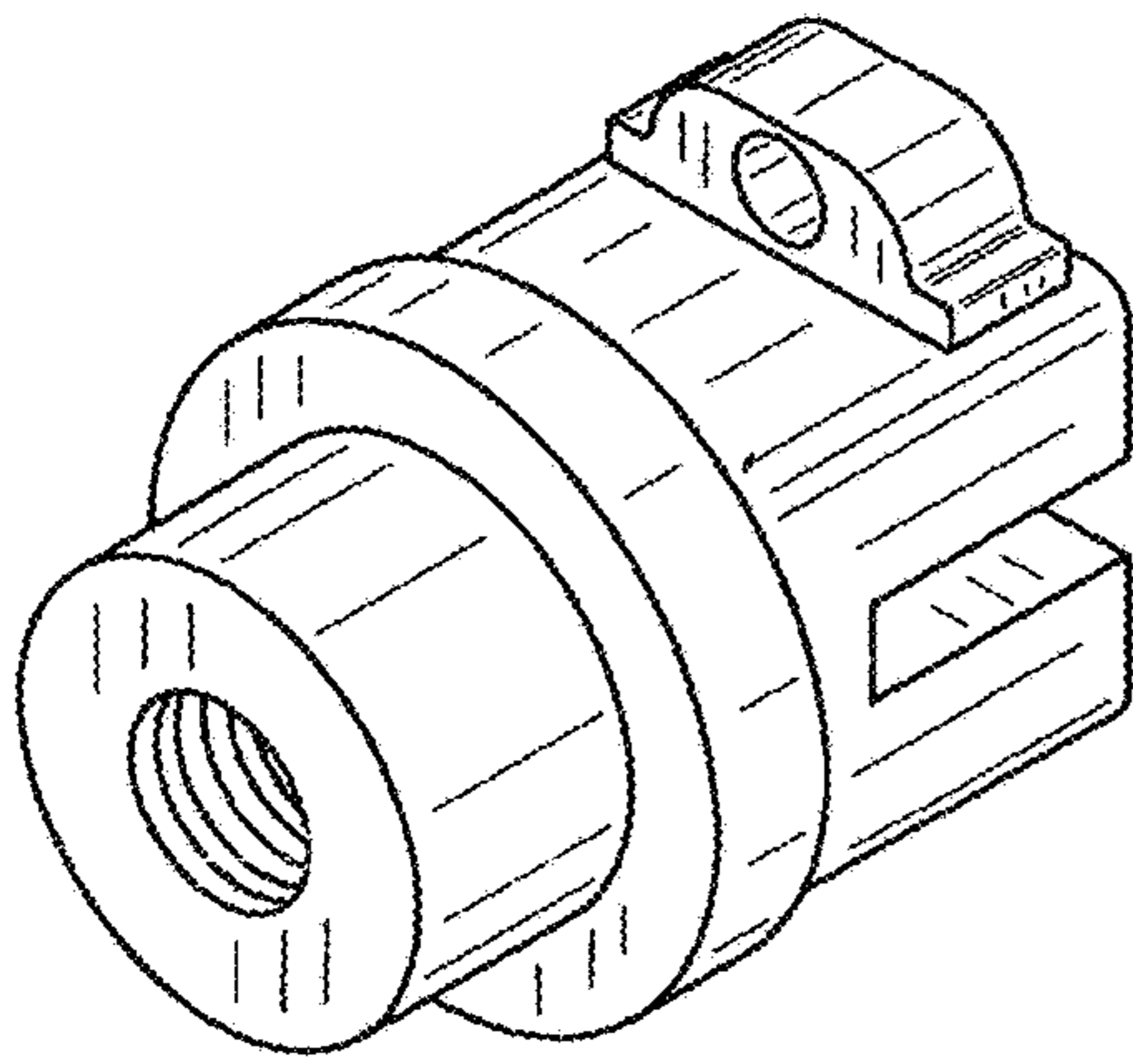


FIG. 1

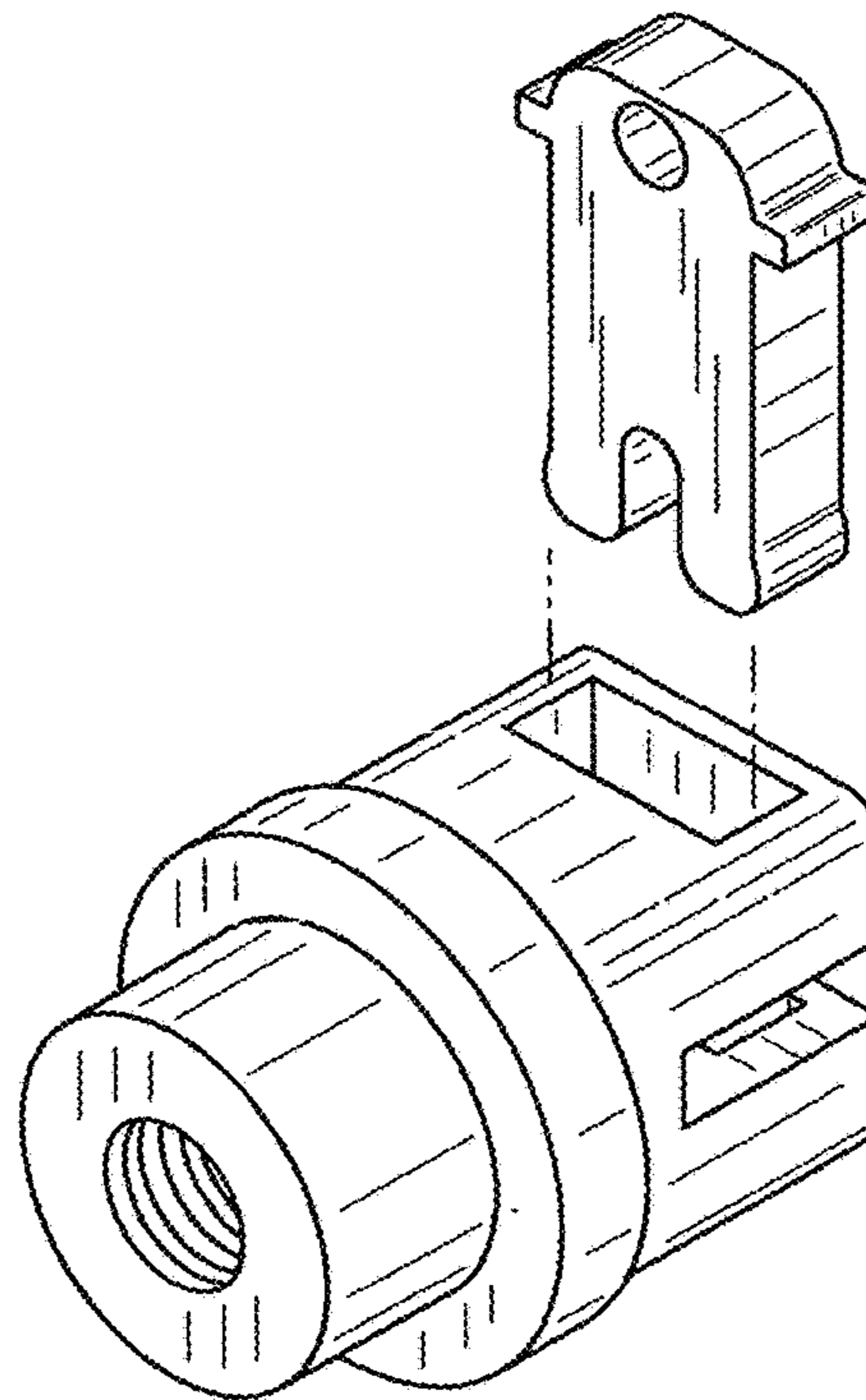


FIG. 2

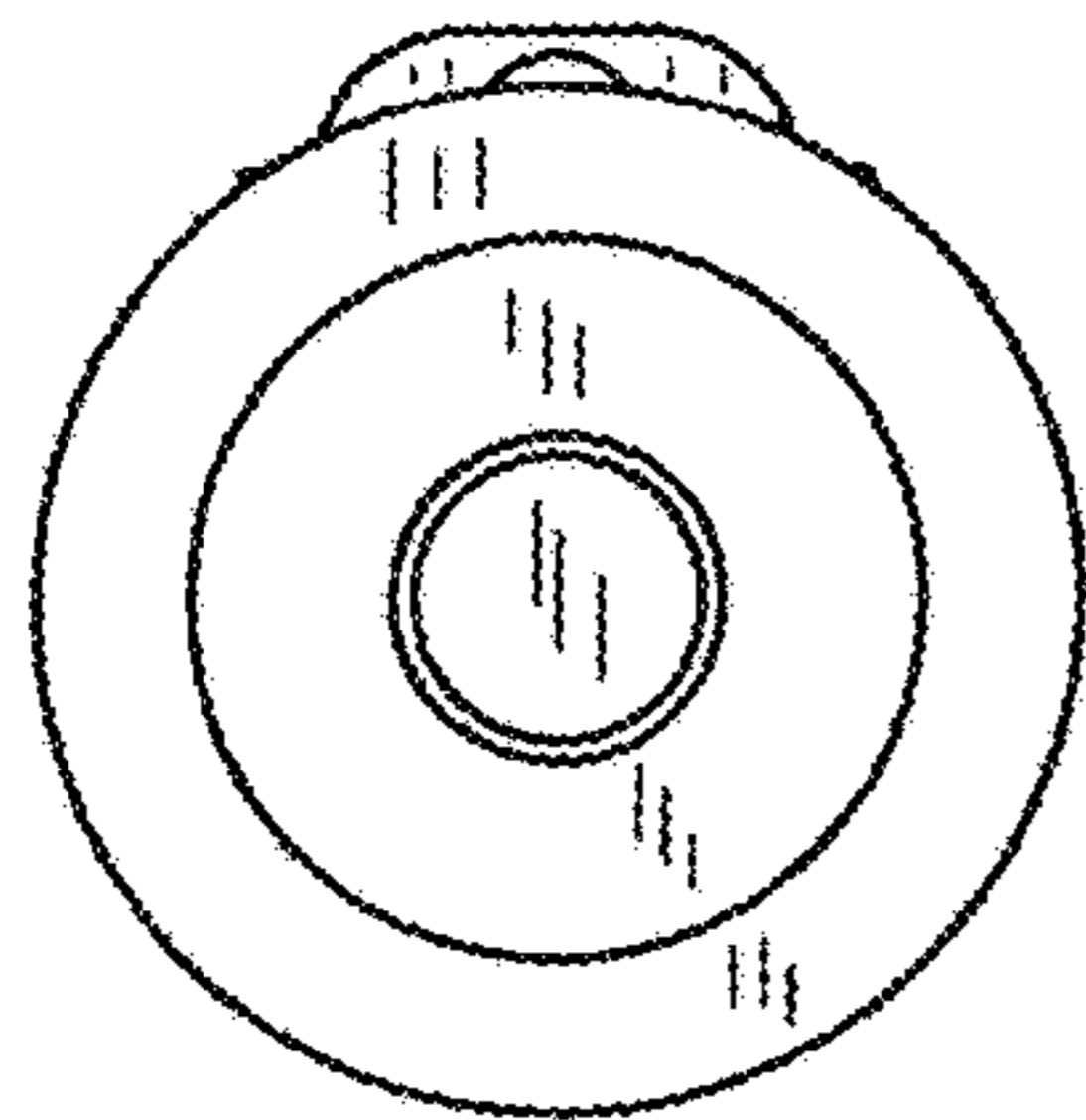


FIG. 3

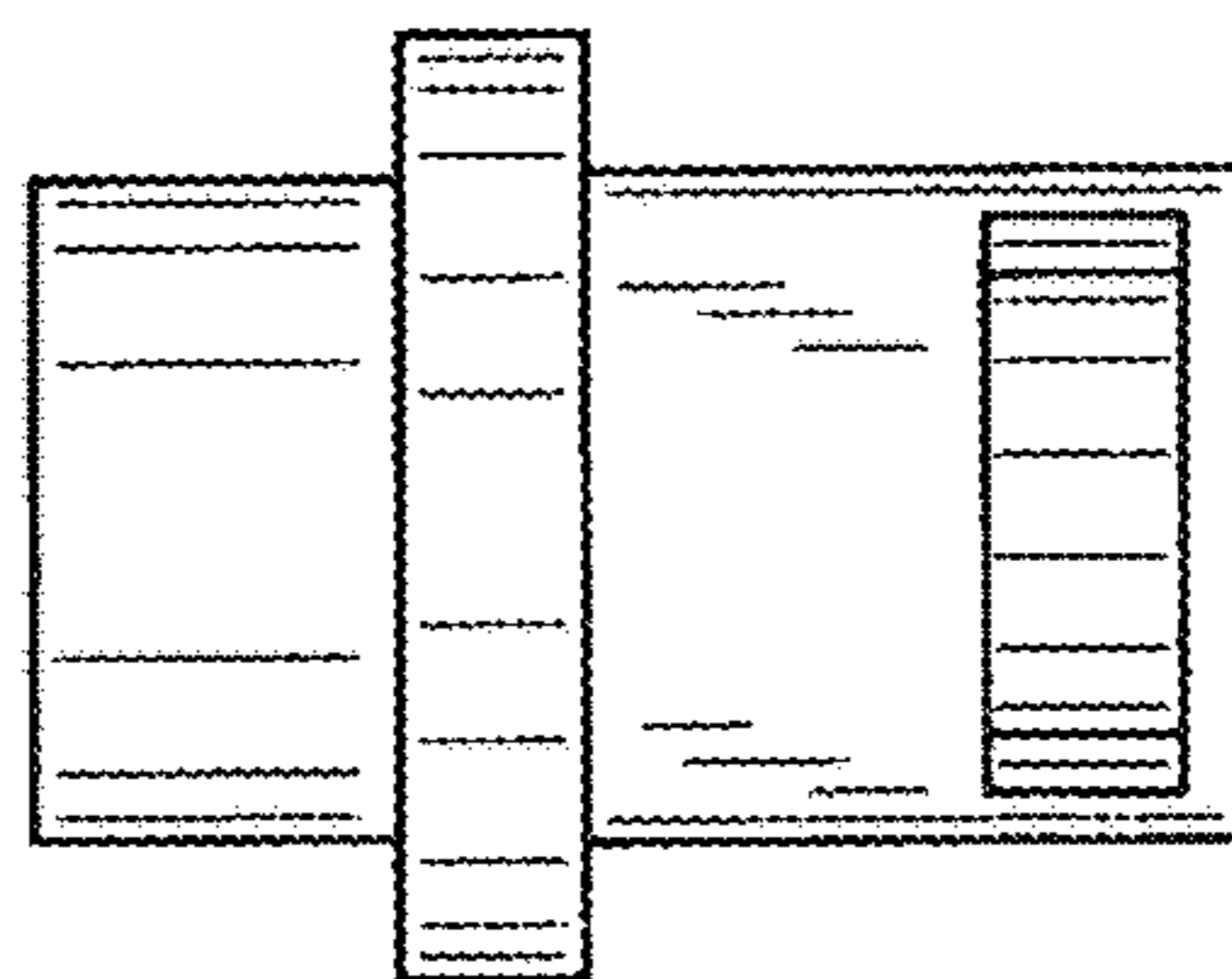


FIG. 5

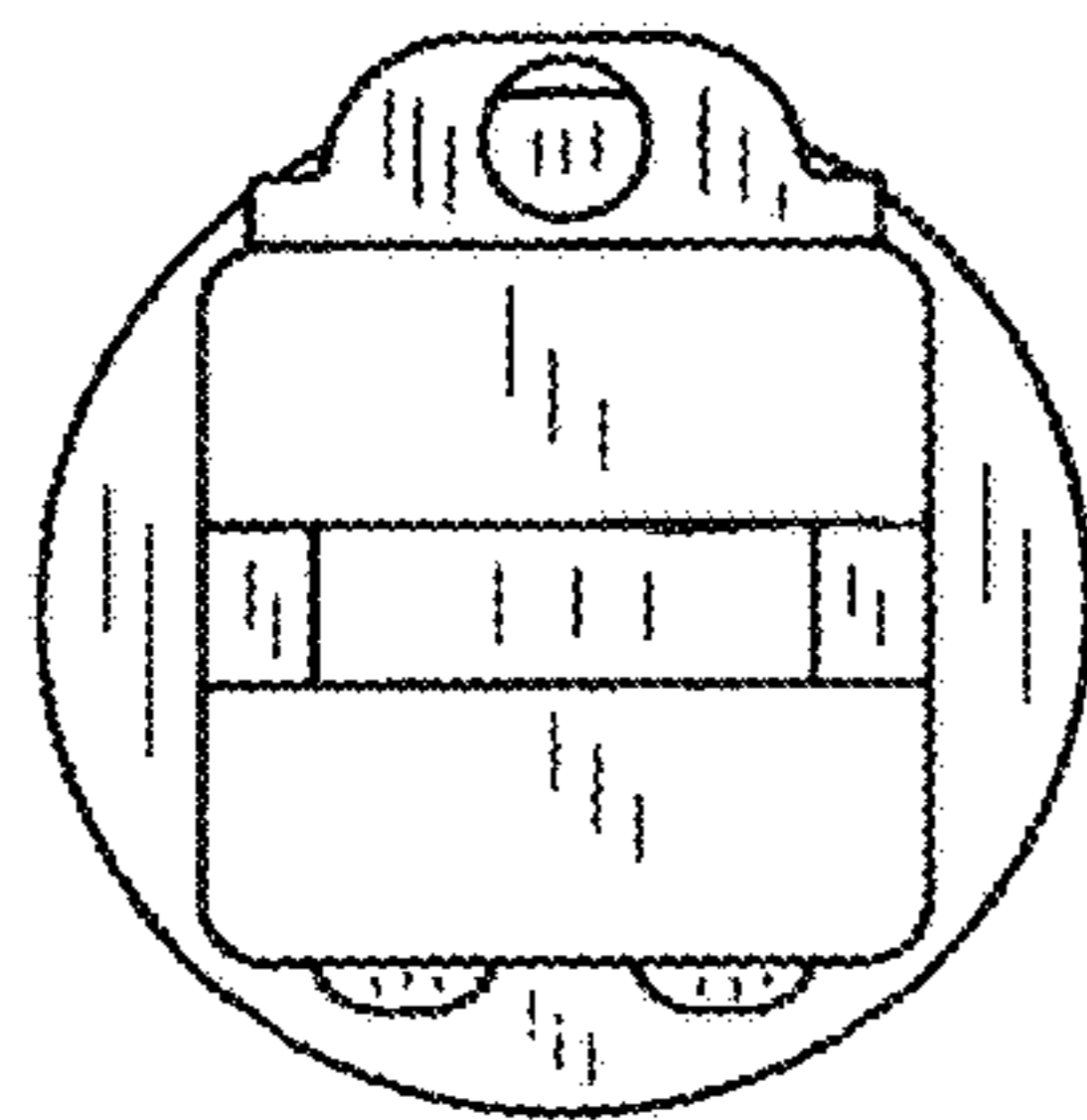


FIG. 4

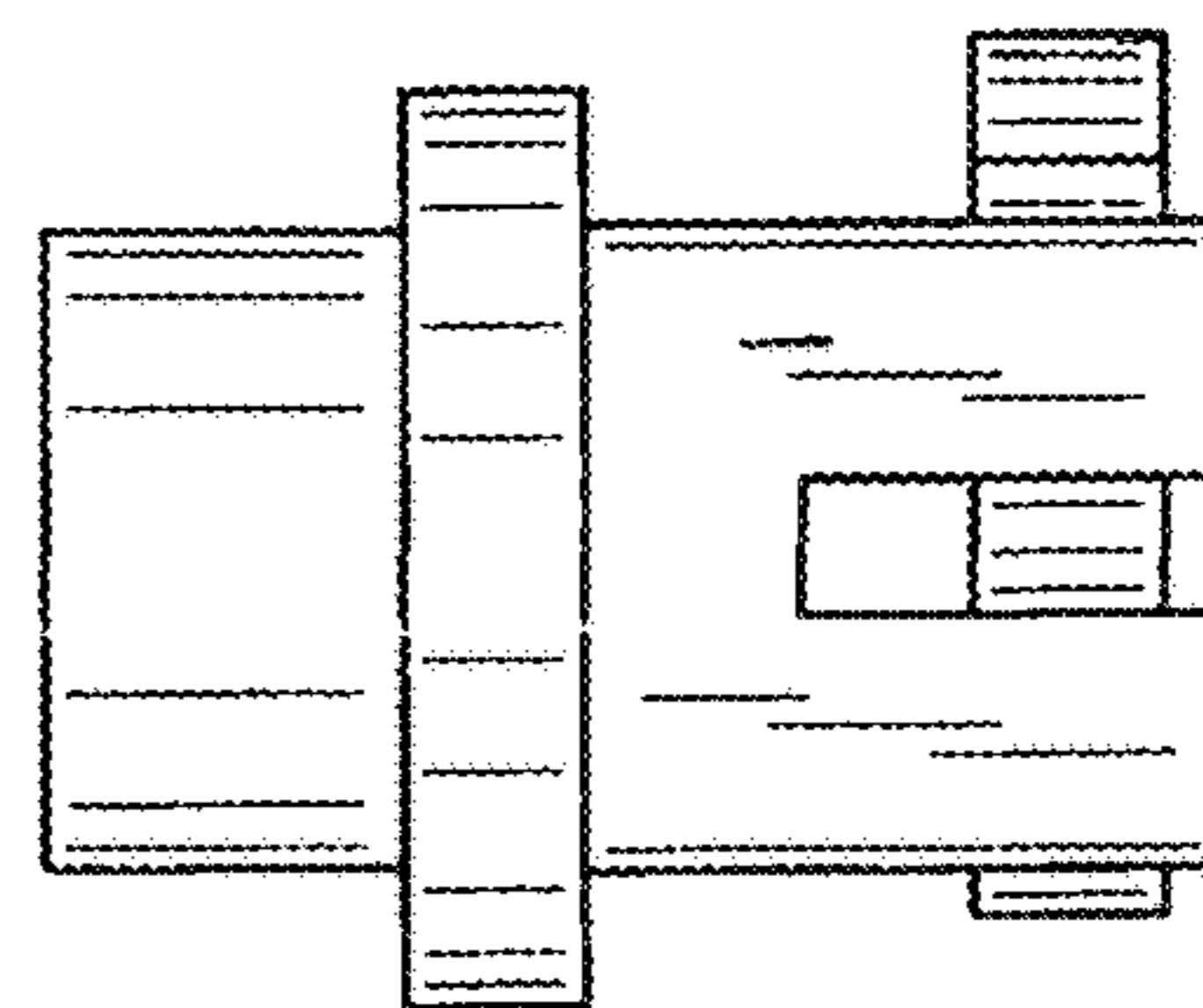


FIG. 6

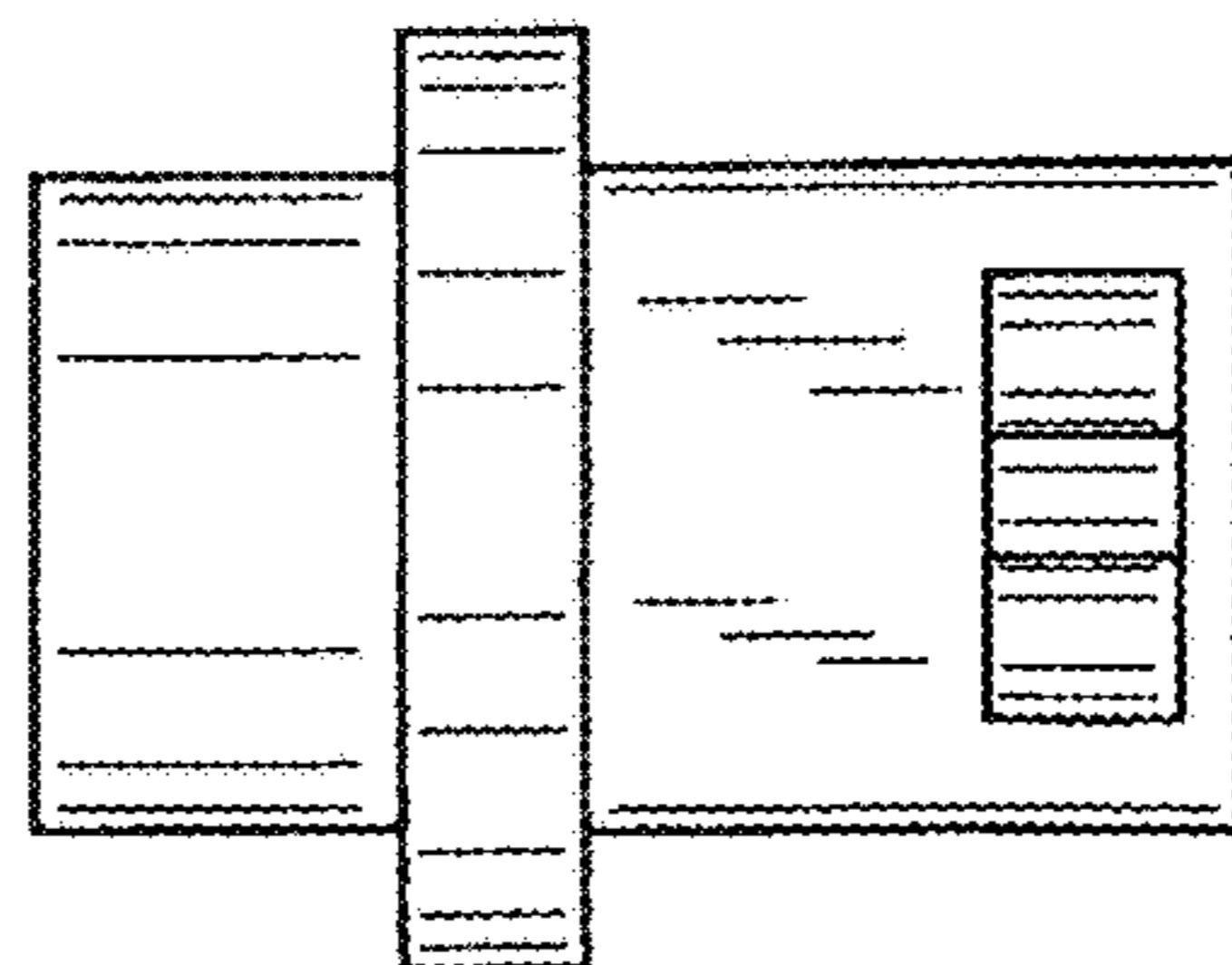


FIG. 7