



US00D847998S

(12) **United States Design Patent** (10) **Patent No.:** **US D847,998 S**  
**Nakar et al.** (45) **Date of Patent:** **\*\* May 7, 2019**

(54) **CPR DEVICE**  
 (71) Applicant: **Medical Feedback Technologies LTD,**  
 Rishon Lezion (IL)  
 (72) Inventors: **Udi Nakar,** Rishon Lezion (IL); **Slav**  
**Gaft,** Rishon Lezion (IL)  
 (73) Assignee: **MEDICAL FEEDBACK**  
**TECHNOLOGIES LTD,** Rishon,  
 Lezion (IL)  
 (\*\*) Term: **15 Years**

D609,813 S \* 2/2010 Molden ..... D24/167  
 D671,649 S \* 11/2012 McCormack ..... D24/168  
 D689,614 S \* 9/2013 Browne ..... D24/167  
 D700,080 S \* 2/2014 Broadbent ..... D10/70  
 D753,832 S \* 4/2016 Lin ..... D24/186  
 D774,651 S \* 12/2016 Kaib ..... D24/186  
 D777,331 S \* 1/2017 Jayalath ..... D24/186  
 D812,229 S \* 3/2018 Al-Siddiq ..... D24/167  
 2002/0007832 A1 \* 1/2002 Doherty ..... A61H 31/005  
 128/202.29  
 2008/0071316 A1 \* 3/2008 Freeman ..... A61H 31/005  
 607/5  
 2018/0200528 A1 \* 7/2018 Savage ..... A61N 1/3918

\* cited by examiner

(21) Appl. No.: **29/611,376**  
 (22) Filed: **Jul. 20, 2017**

*Primary Examiner* — Anhdao Doan  
 (74) *Attorney, Agent, or Firm* — Troutman Sanders LLP;  
 Chris Davis

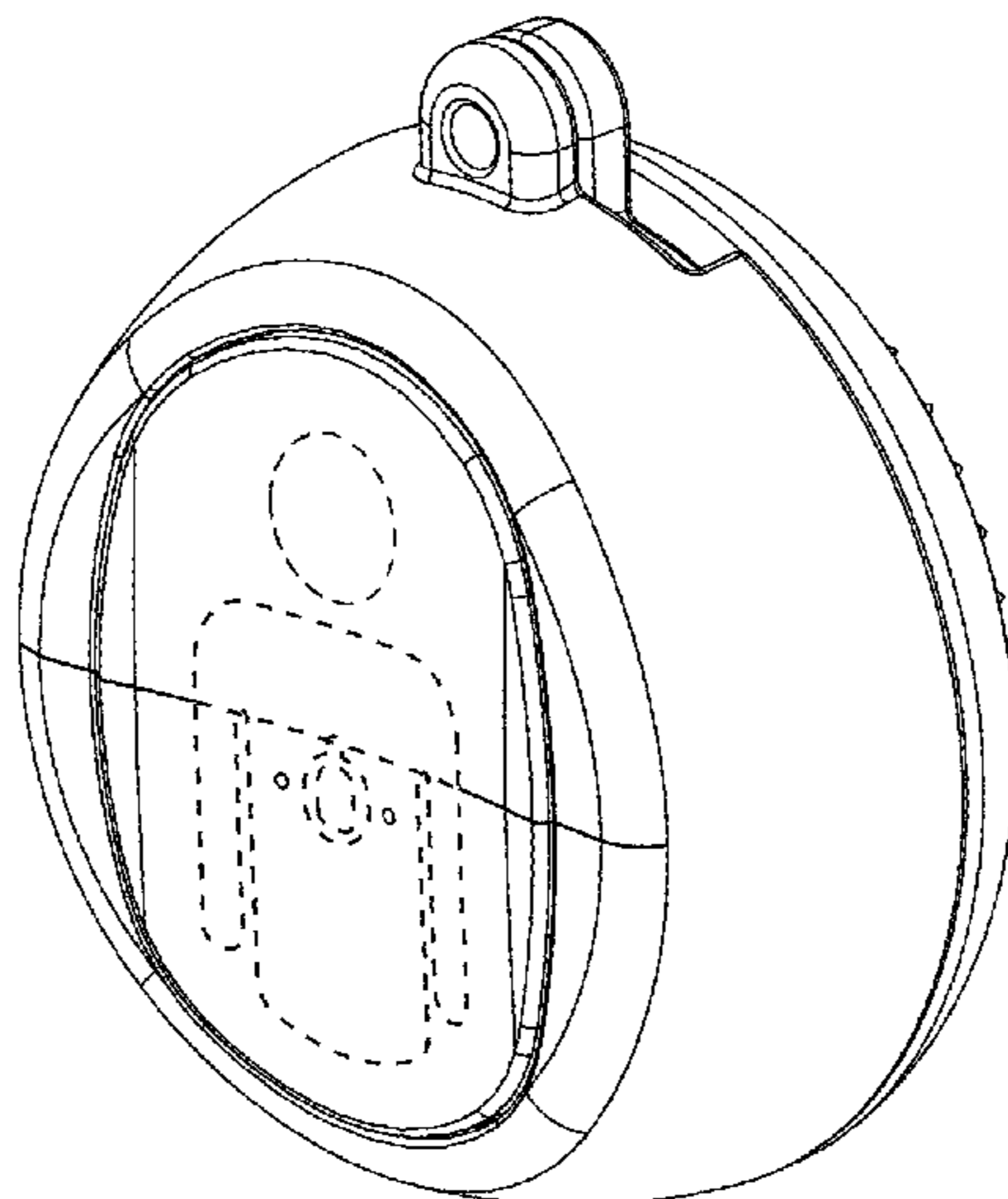
(30) **Foreign Application Priority Data**  
 May 22, 2017 (IL) ..... 60419  
 (51) **LOC (11) Cl.** ..... **24-01**  
 (52) **U.S. Cl.**  
 USPC ..... **D24/167**  
 (58) **Field of Classification Search**  
 USPC ..... D24/107, 165, 167, 168, 185, 186, 187,  
 D24/200; D10/70, 98; D14/344  
 CPC ..... A61N 1/39; A61N 1/3925; A61N 1/3968;  
 A61N 1/3987; A61N 1/3993; A61H  
 31/004; A61H 31/005; A61H 31/006;  
 A61H 31/007  
 See application file for complete search history.

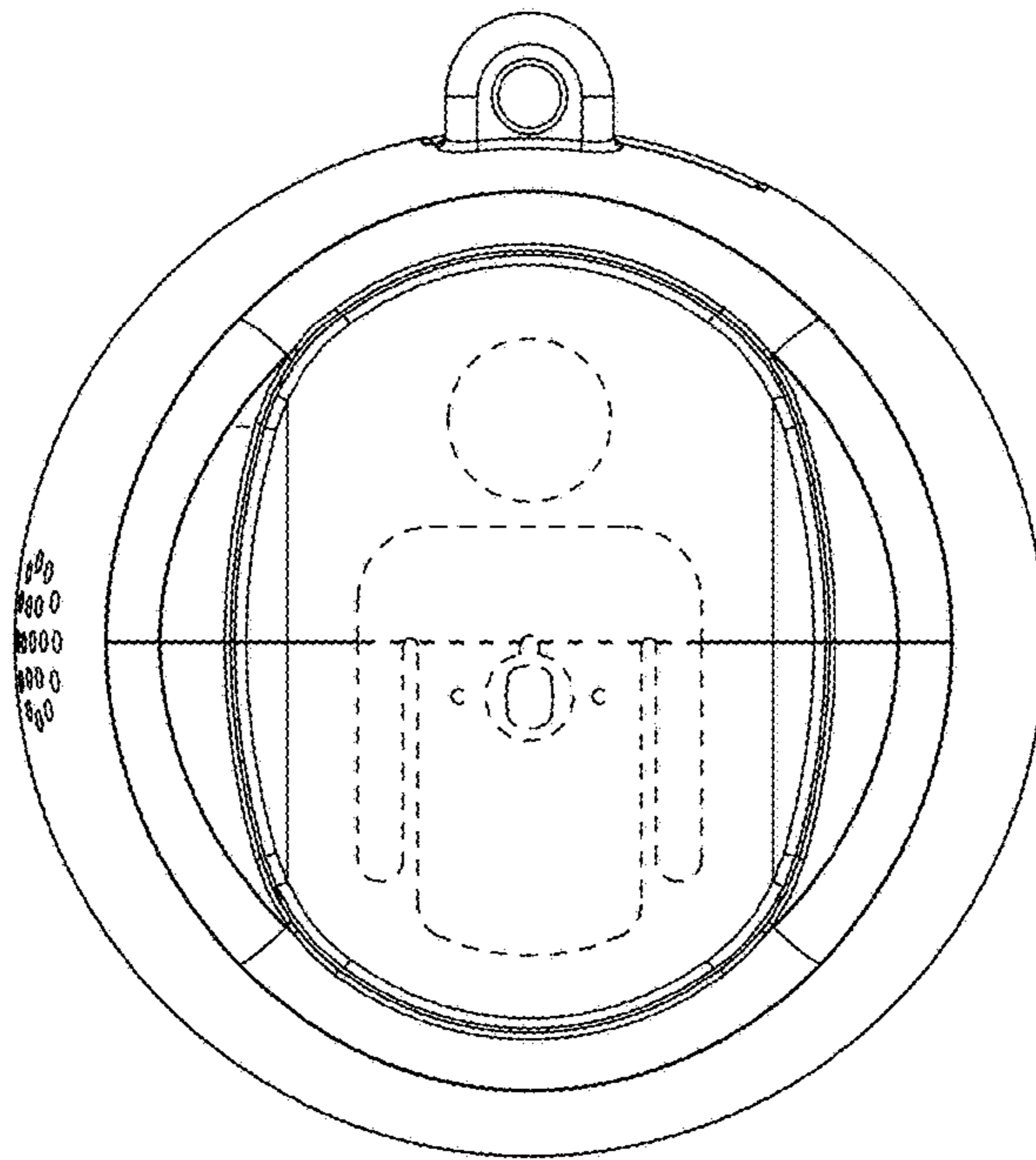
(57) **CLAIM**  
 The ornamental design for a CPR device, as shown and  
 described.

(56) **References Cited**  
 U.S. PATENT DOCUMENTS  
 4,095,590 A \* 6/1978 Harrigan ..... A61H 31/005  
 434/265  
 D466,215 S \* 11/2002 Lindseth ..... D24/167

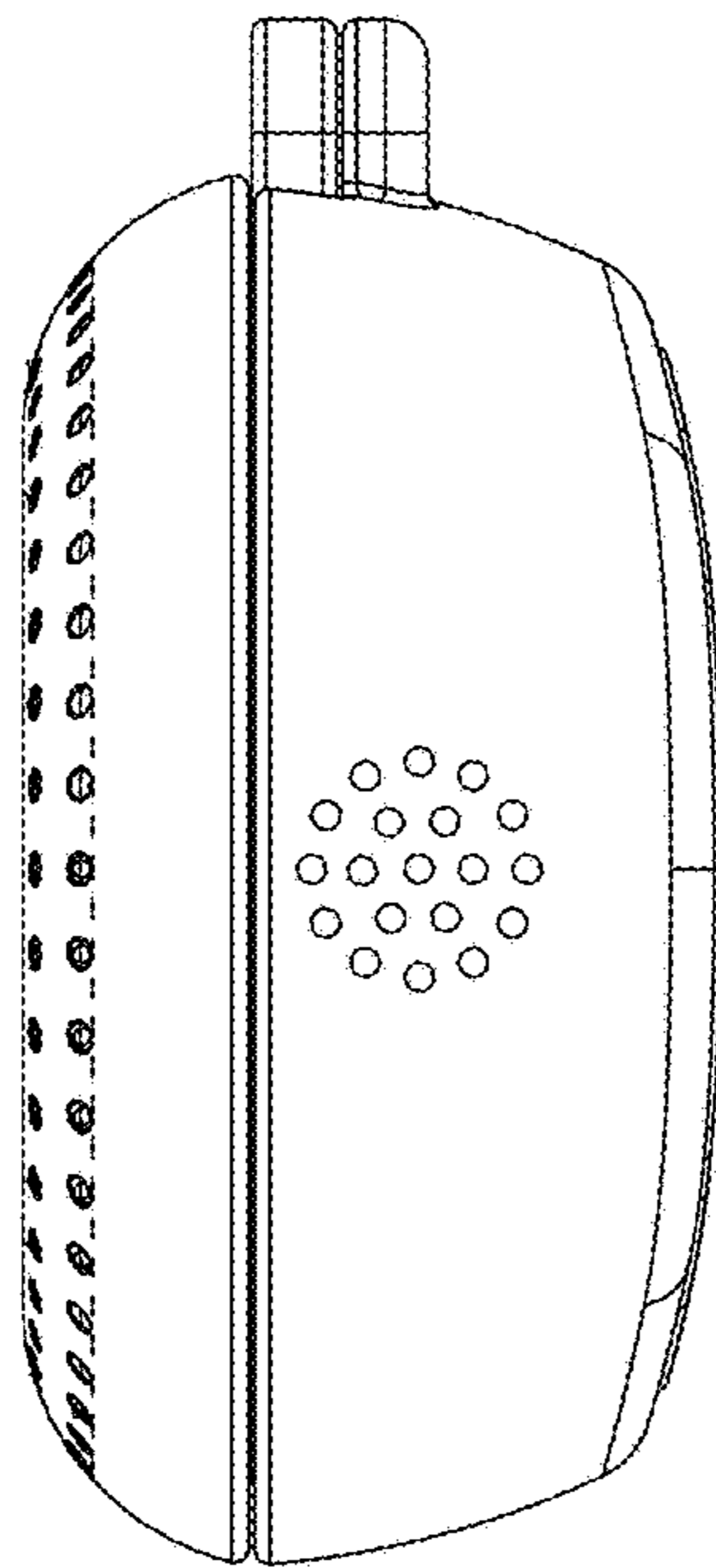
**DESCRIPTION**  
 FIG. 1 is a top view of a device showing our new design.  
 FIG. 2 is a left view thereof.  
 FIG. 3 is a right view thereof.  
 FIG. 4 is a front view thereof.  
 FIG. 5 is a rear view thereof.  
 FIG. 6 is a bottom view thereof.  
 FIG. 7 is a perspective view thereof, showing the top of the  
 device for clarity of illustration; and,  
 FIG. 8 is a perspective view thereof, showing the bottom of  
 the device for clarity of illustration.  
 The broken lines shown represent unclaimed subject matter  
 and form no part of the claimed design.

**1 Claim, 8 Drawing Sheets**

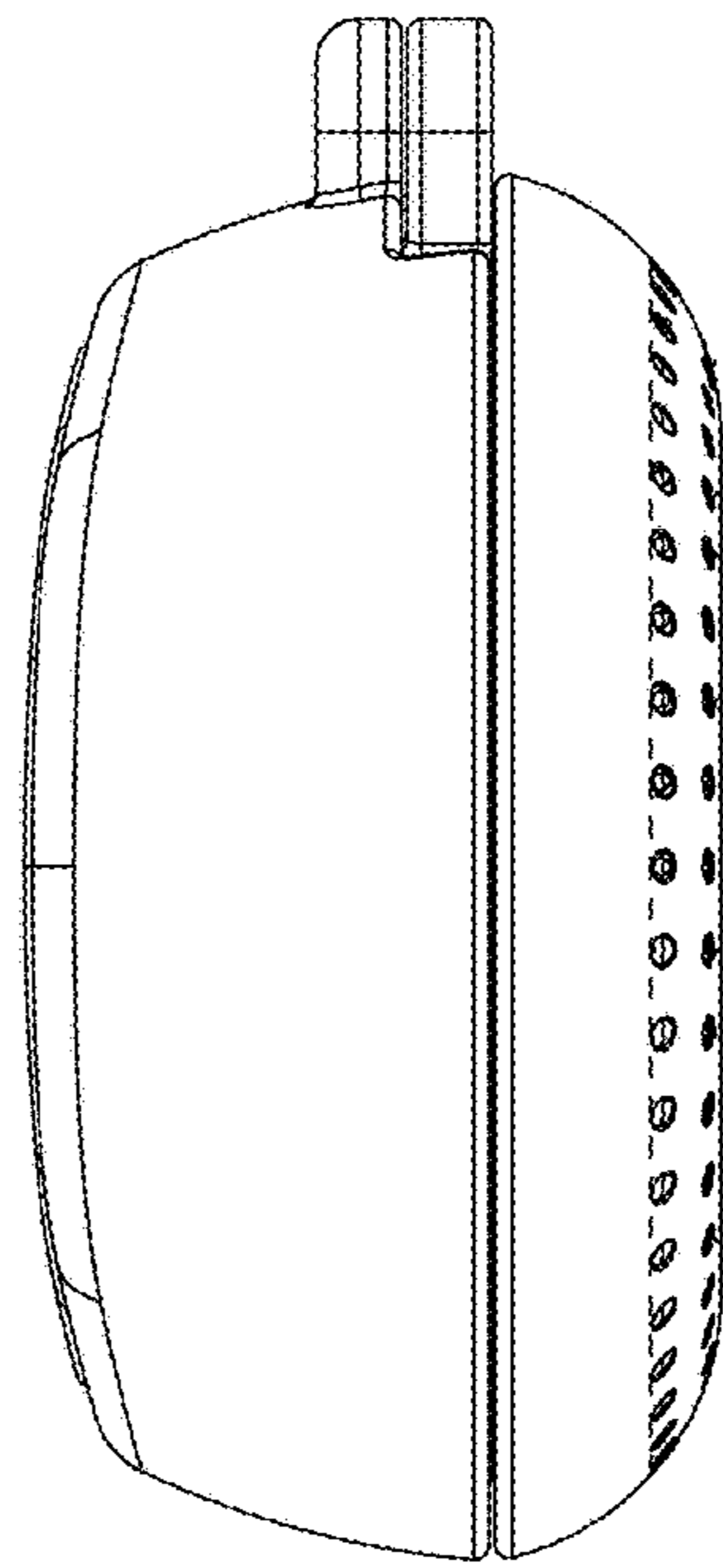




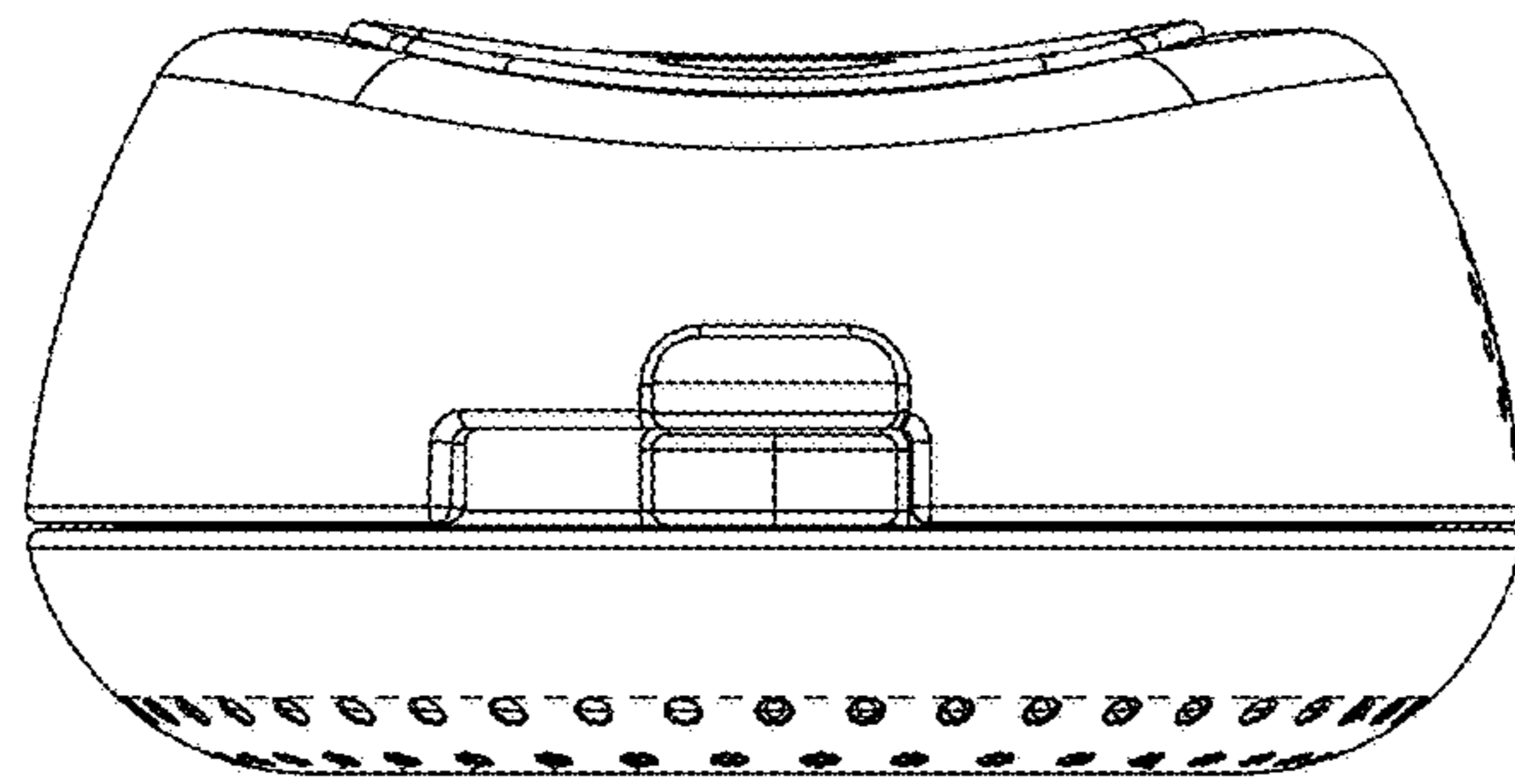
**FIG. 1**



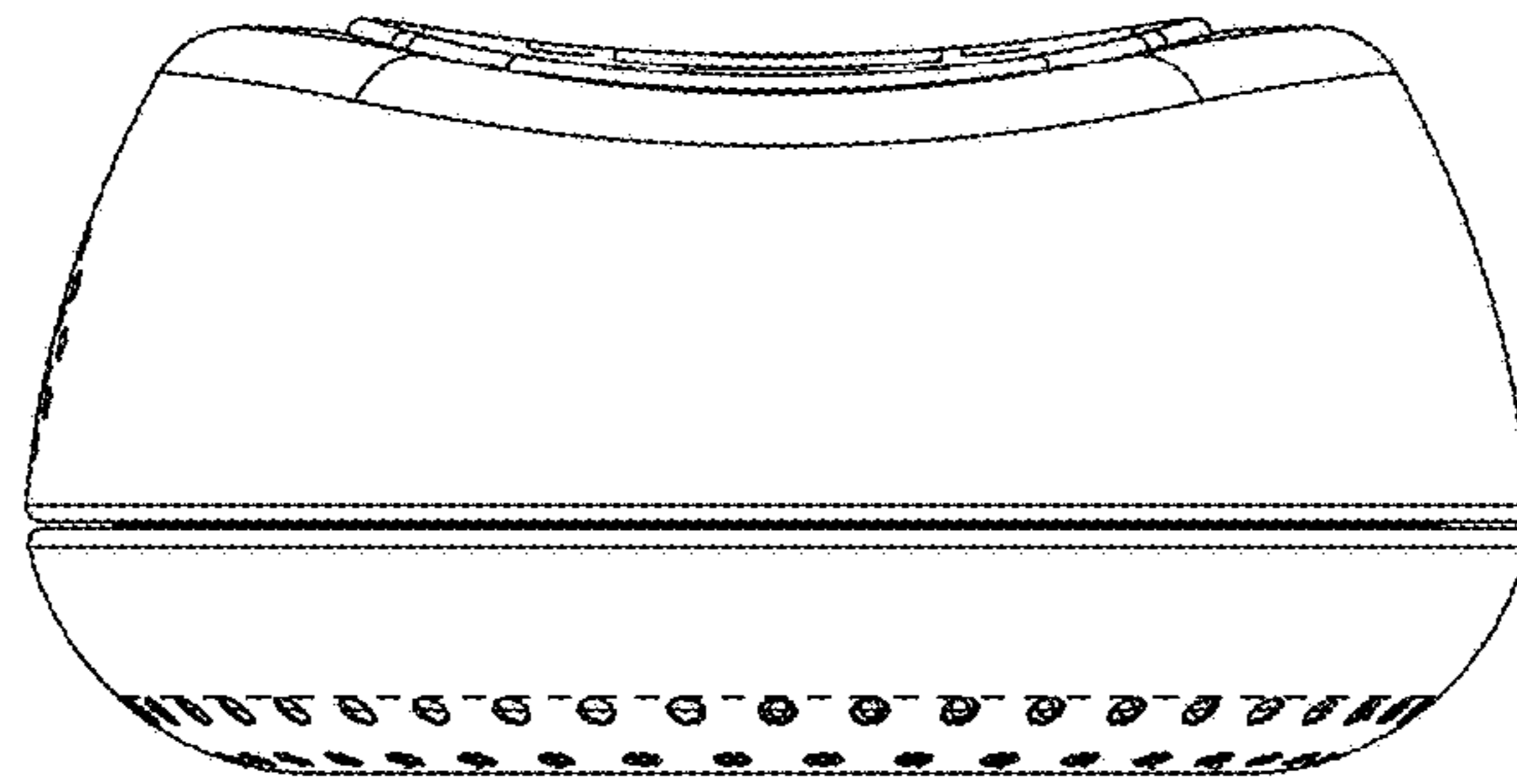
**FIG. 2**



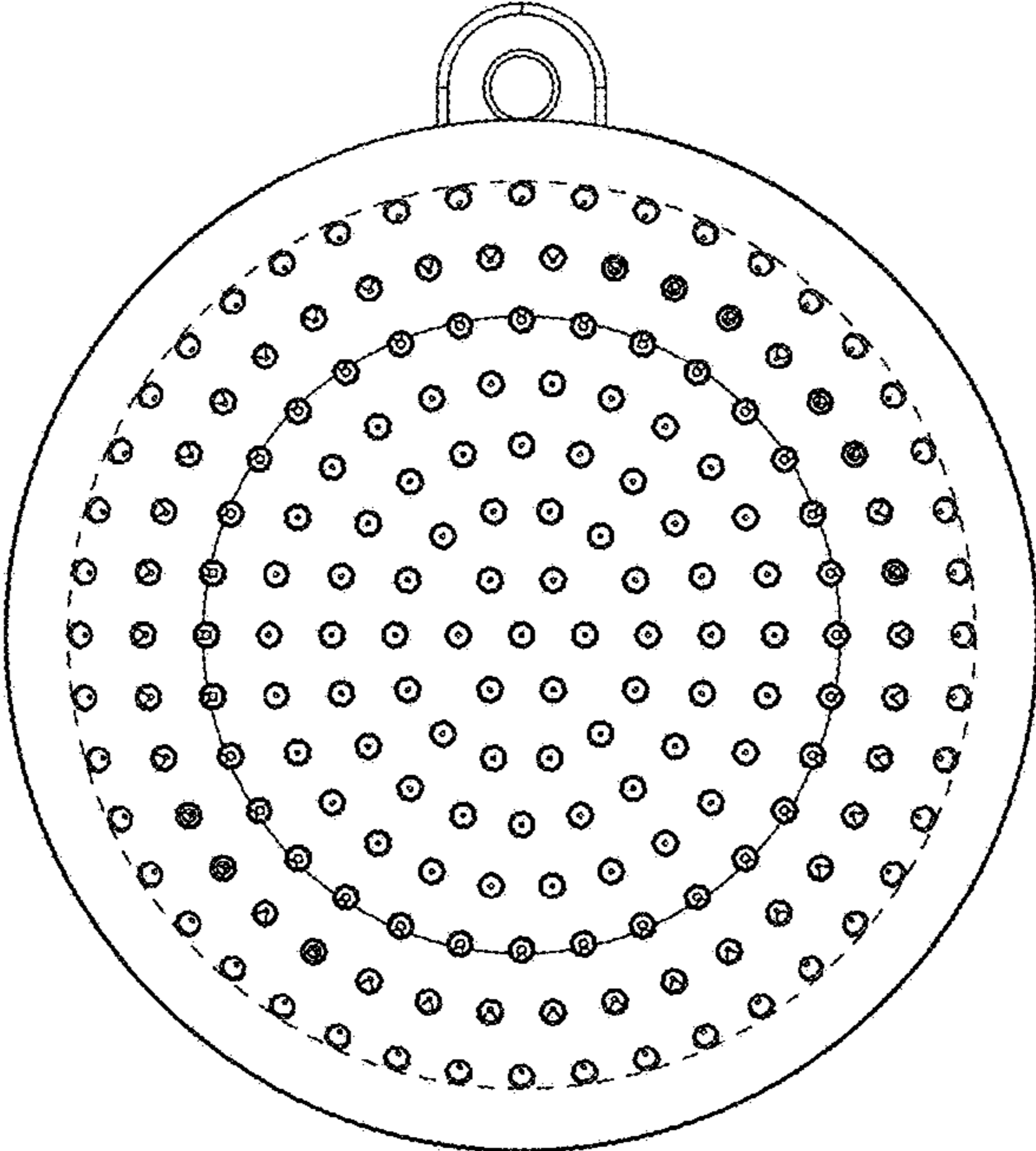
**FIG. 3**



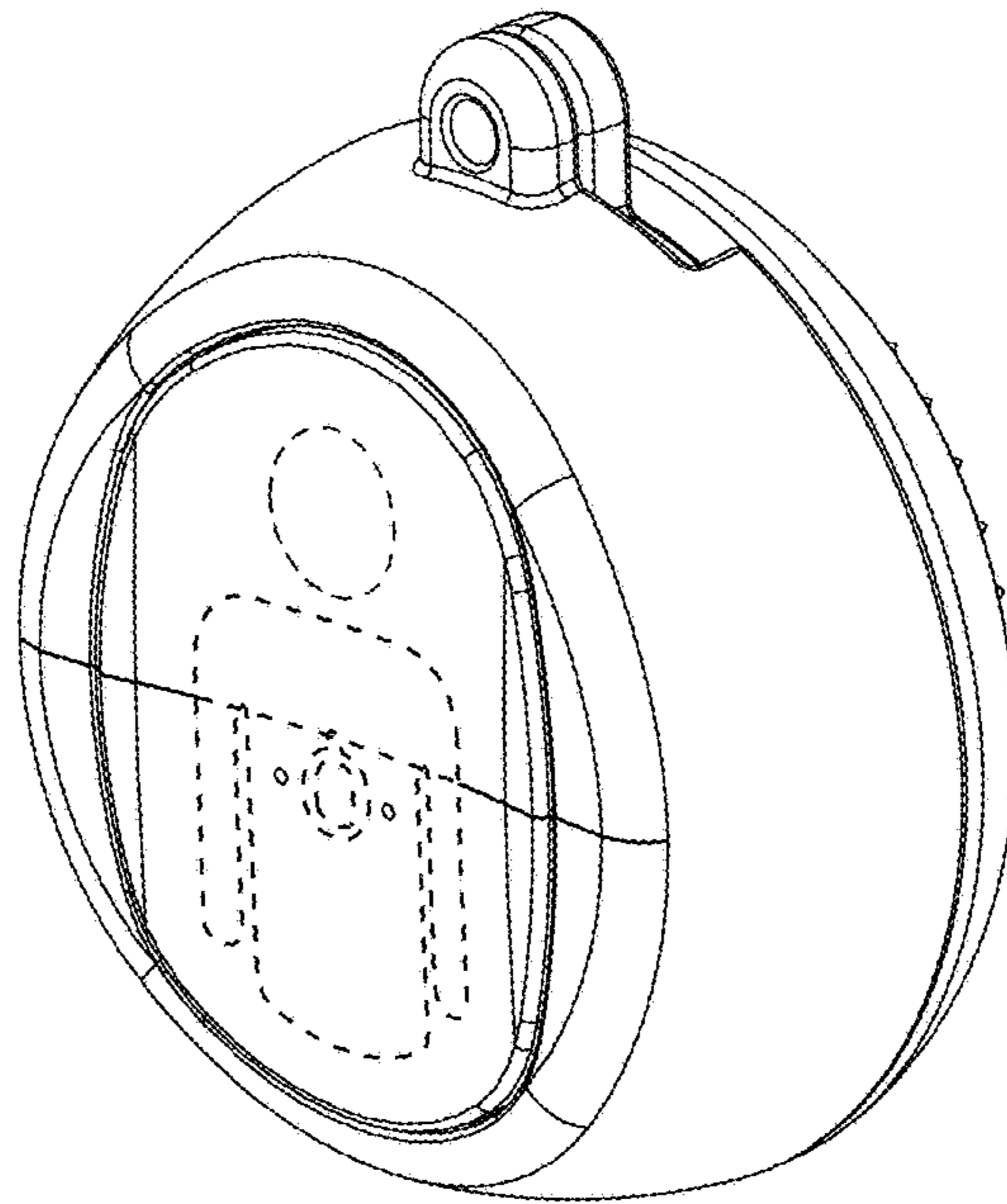
**FIG. 4**



**FIG. 5**

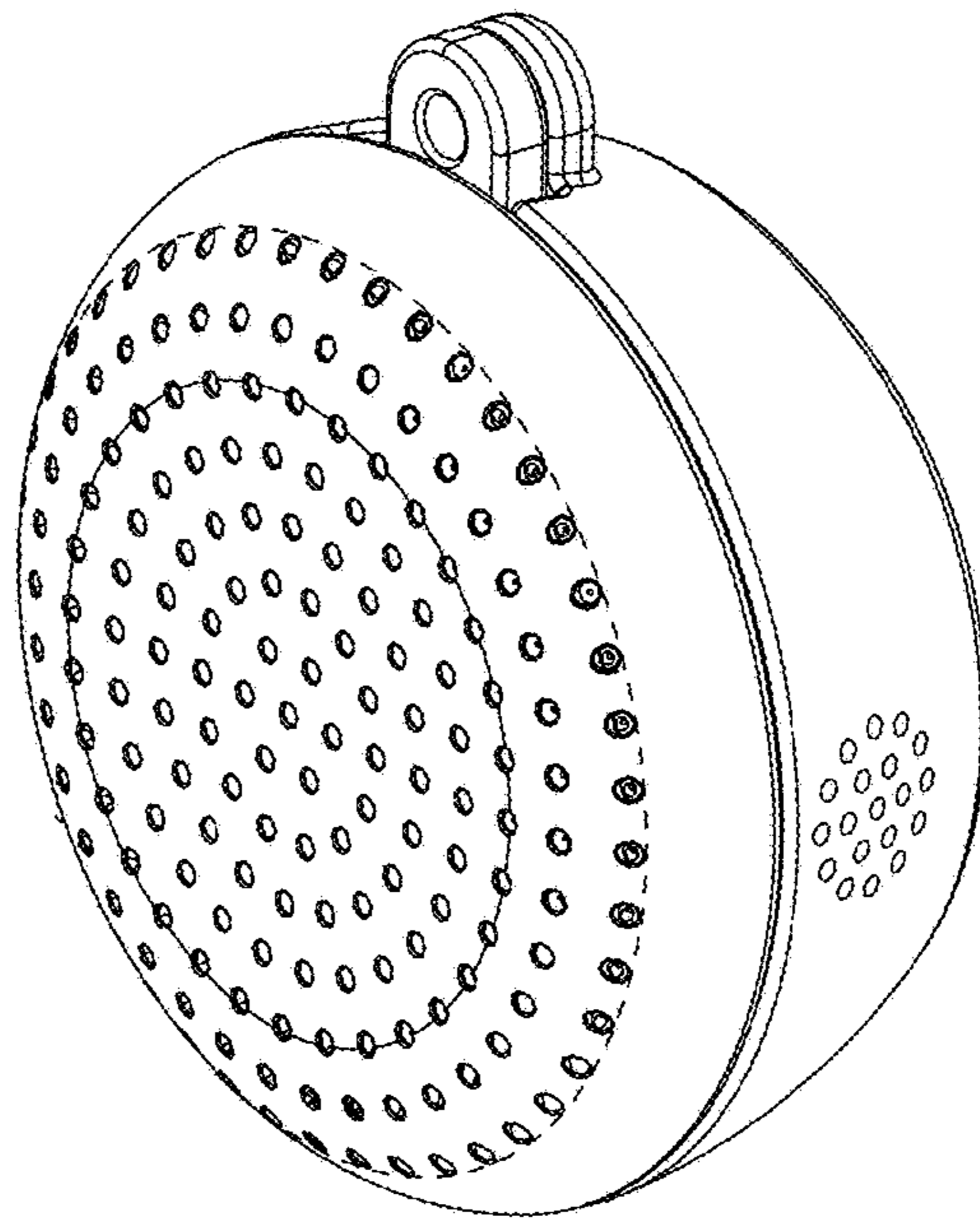


**FIG. 6**



**FIG. 7**





**FIG. 8**