



US00D847996S

(12) **United States Design Patent**
Surgeon et al.

(10) **Patent No.:** **US D847,996 S**

(45) **Date of Patent:** **** May 7, 2019**

(54) **SPINAL IMPLANT**

(71) Applicant: **Warsaw Orthopedic, Inc.**, Warsaw, IN (US)

(72) Inventors: **Carrie L. Surgeon**, Memphis, TN (US); **William D. Armstrong**, Memphis, TN (US); **Anthony J. Melkent**, Germantown, TN (US); **Virginia L. Richardson**, Memphis, TN (US); **Scott David Renner**, Memphis, TN (US); **Lawrence G. Lenke**, New York, NY (US); **Ronald A. Lehman**, Englewood, NJ (US); **Tyler R. Koski**, Wilmette, IL (US); **Russell P. Nockels**, Chicago, IL (US); **Ian J. Harding**, Bristol (GB)

(73) Assignee: **Warsaw Orthopedic, Inc.**, Warsaw, IN (US)

(**) Term: **15 Years**

(21) Appl. No.: **29/624,420**

(22) Filed: **Oct. 31, 2017**

(51) **LOC (11) Cl.** **24-03**

(52) **U.S. Cl.**
USPC **D24/155**

(58) **Field of Classification Search**
USPC D24/155-157
CPC A61F 2/4611; A61F 2/442; A61F 2/447; A61F 2220/0025; A61F 2310/00023; A61F 2310/00017; A61F 2002/4475; A61F 2002/30841; A61F 2002/2835; A61F 2002/30904; A61F 2002/30785; A61F 2002/443; A61F 2002/30578
See application file for complete search history.

(56) **References Cited**

U.S. PATENT DOCUMENTS

D620,110 S * 7/2010 Courtney D24/155
D620,112 S * 7/2010 Courtney D24/155

D620,113 S * 7/2010 Courtney D24/155
D630,749 S * 1/2011 Tornier D24/155
D653,757 S * 2/2012 Binder A61F 2/446
D24/155
D665,081 S * 8/2012 Hansell A61F 2/4465
D24/155
D718,860 S * 12/2014 Farris D24/155
8,900,310 B2 * 12/2014 Carlson A61F 2/446
623/17.16
D722,695 S * 2/2015 Kaufmann D24/155
8,979,927 B2 * 3/2015 Huntsman A61F 2/4455
623/17.11
D731,063 S * 6/2015 VerHage D24/155

(Continued)

Primary Examiner — Charles D Hanson

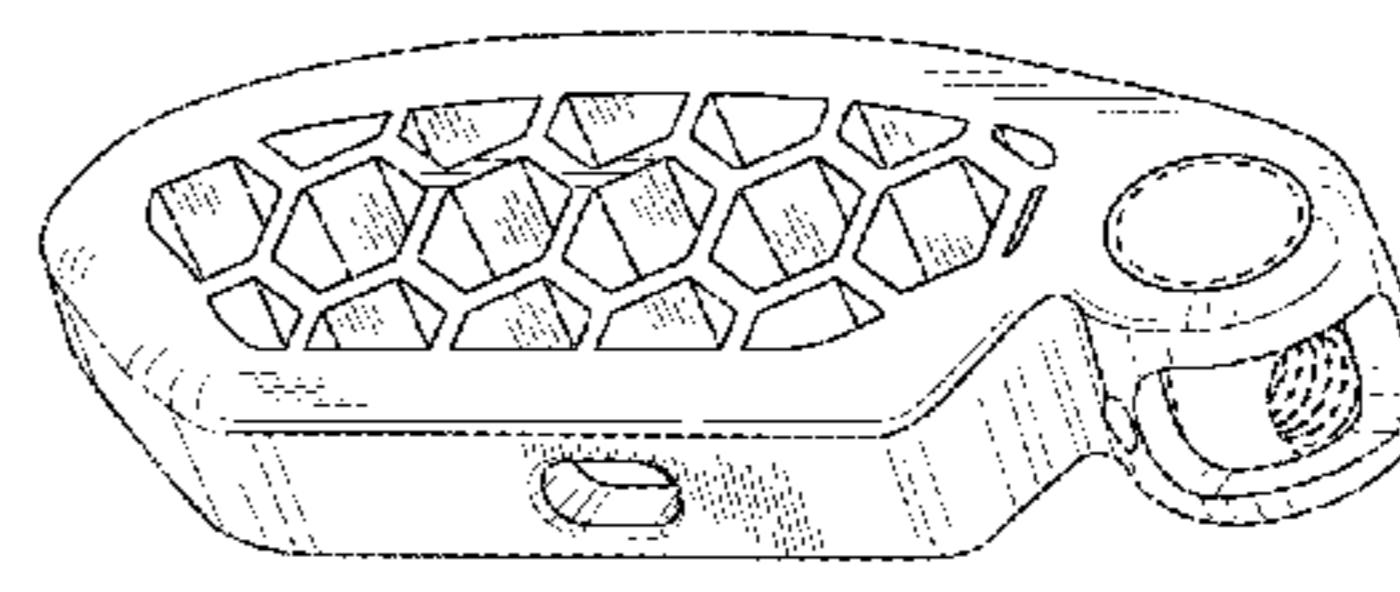
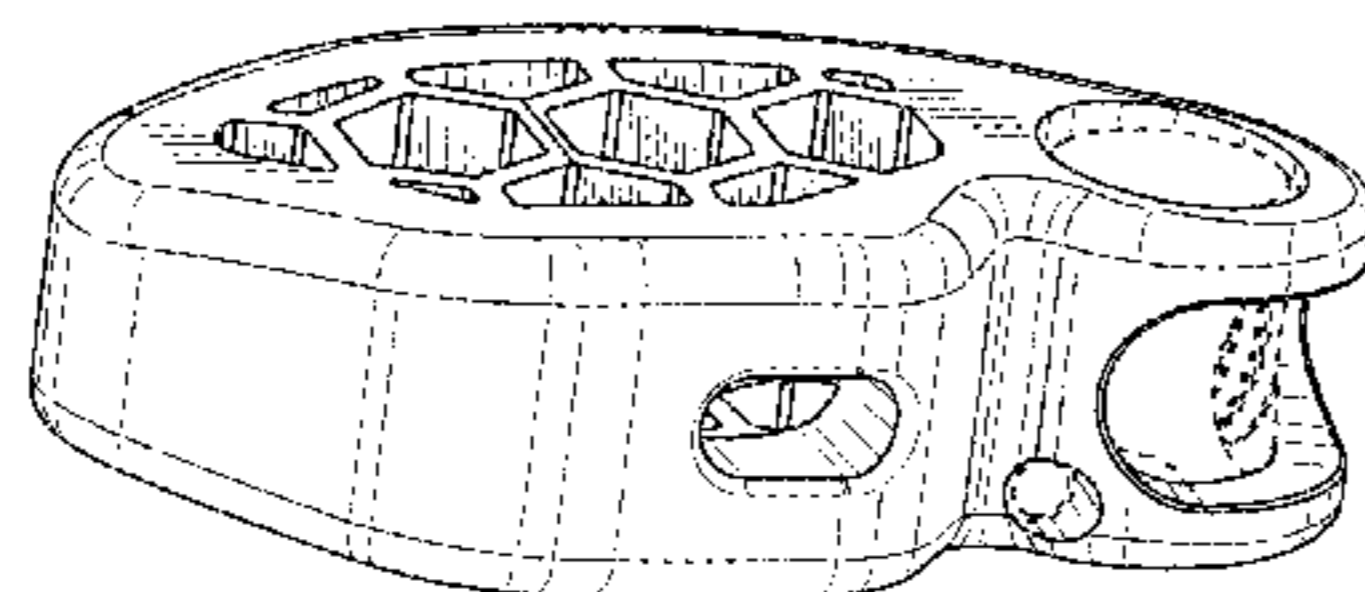
(57) **CLAIM**

The ornamental design for a spinal implant, as shown and described.

DESCRIPTION

FIG. 1 is a perspective view of a spinal implant; FIG. 2 is a side view of the spinal implant; FIG. 3 is a side view of the spinal implant; FIG. 4 is a top view of the spinal implant; FIG. 5 is a bottom view of the spinal implant; FIG. 6 is a side view of the spinal implant; FIG. 7 is a side view of the spinal implant; FIG. 8 is a perspective view of a spinal implant; FIG. 9 is a side view of the spinal implant; FIG. 10 is a side view of the spinal implant; FIG. 11 is a top view of the spinal implant; FIG. 12 is a bottom view of the spinal implant; FIG. 13 is a side view of the spinal implant; and, FIG. 14 is a side view of the spinal implant. The broken lines shown in the drawings illustrate structural environment and form no part of the claimed design.

1 Claim, 12 Drawing Sheets



(56)

References Cited

U.S. PATENT DOCUMENTS

D733,303 S * 6/2015 Peterson A61F 2/4465
D24/155
D737,446 S * 8/2015 Butler A61F 2/4455
D24/155
D741,488 S * 10/2015 Tohmeh D24/155
9,198,774 B2 * 12/2015 Pisharodi A61F 2/447
9,295,562 B2 * 3/2016 Lechmann A61F 2/3094
D753,305 S * 4/2016 Butler A61F 2/4465
D24/155
9,320,610 B2 * 4/2016 Alheidt A61F 2/4611
2002/0169508 A1 * 11/2002 Songer A61B 17/70
623/17.11
2003/0023306 A1 * 1/2003 Liu A61F 2/447
623/17.11
2003/0105528 A1 * 6/2003 Shimp A61F 2/28
623/17.16
2003/0139812 A1 * 7/2003 Garcia A61B 17/025
623/17.11

* cited by examiner

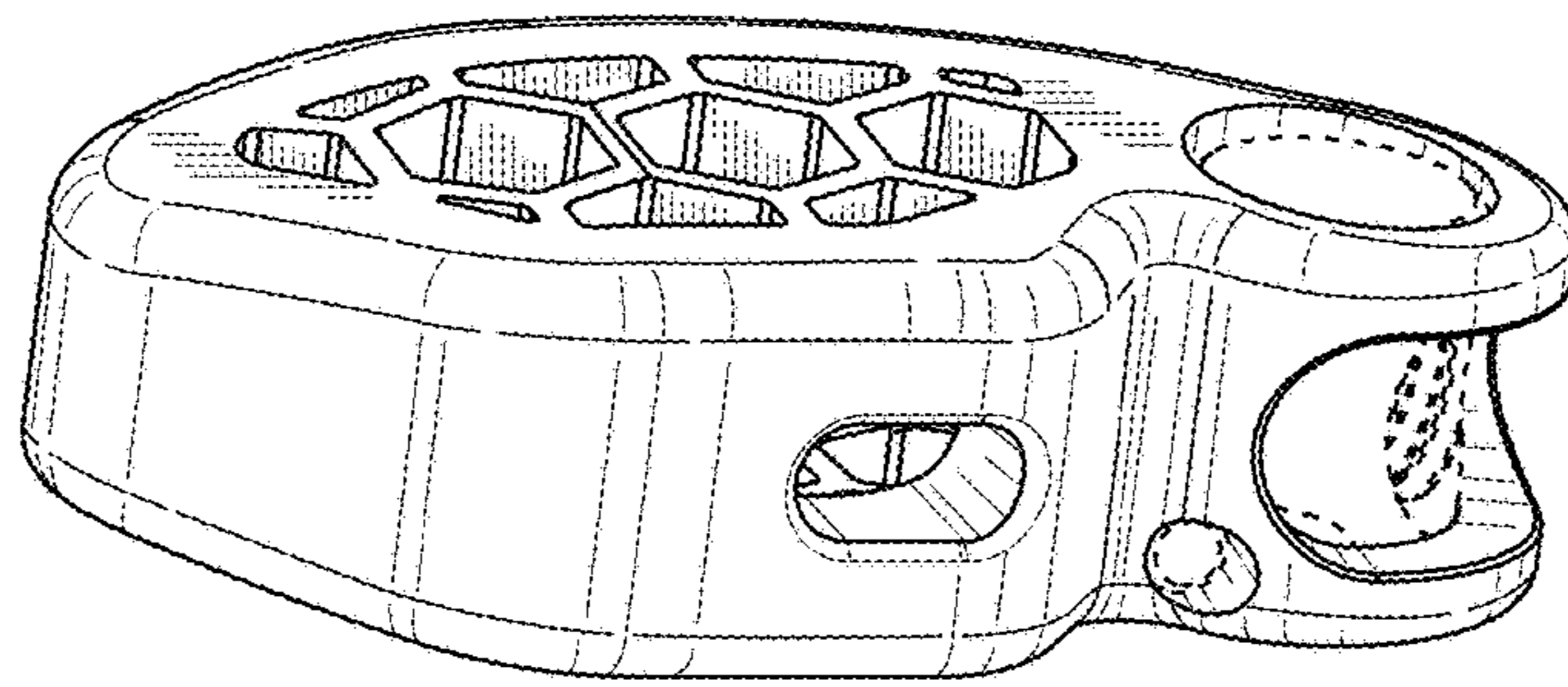


FIG. 1

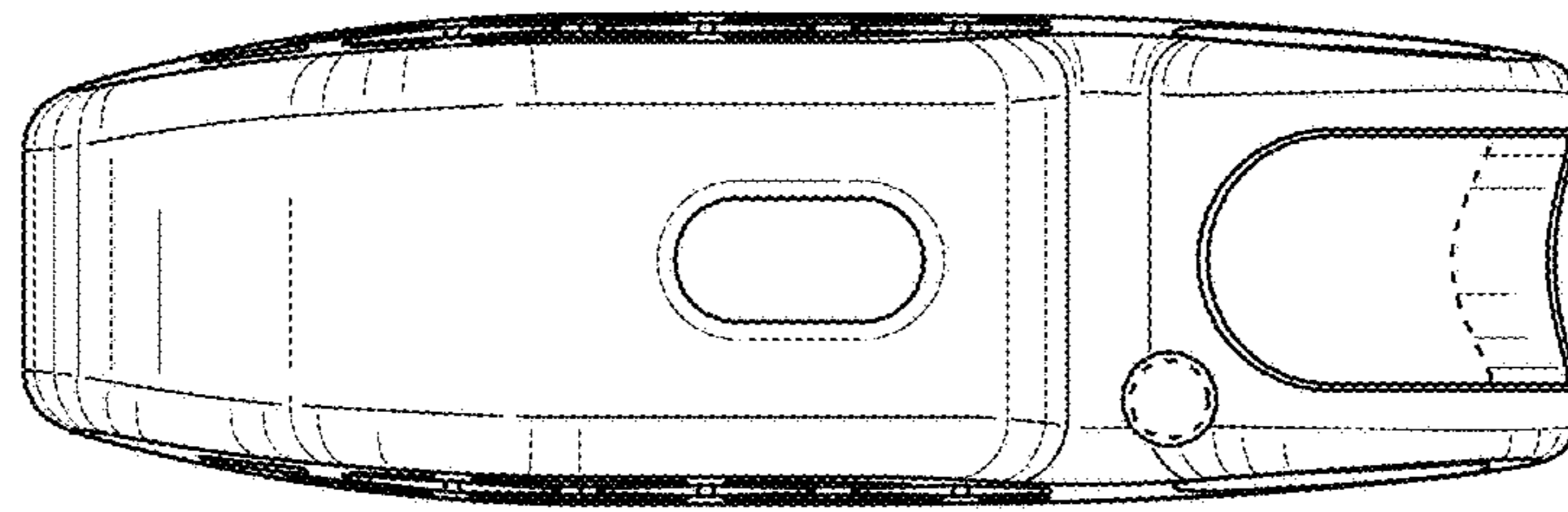


FIG. 2

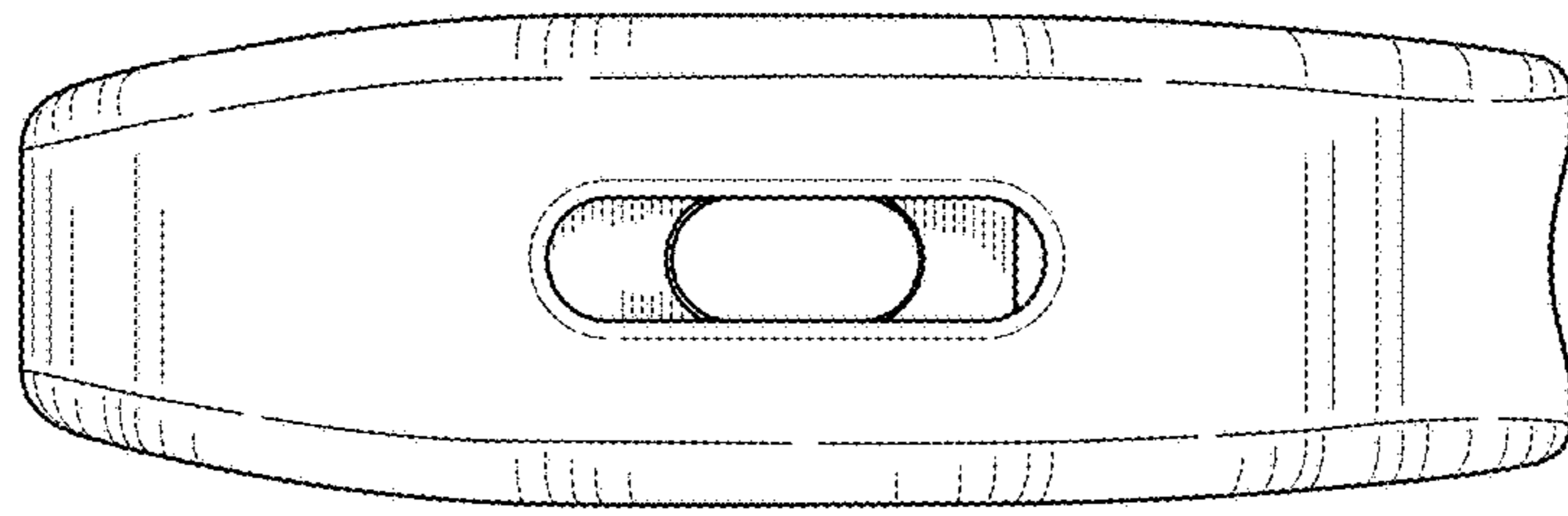


FIG. 3

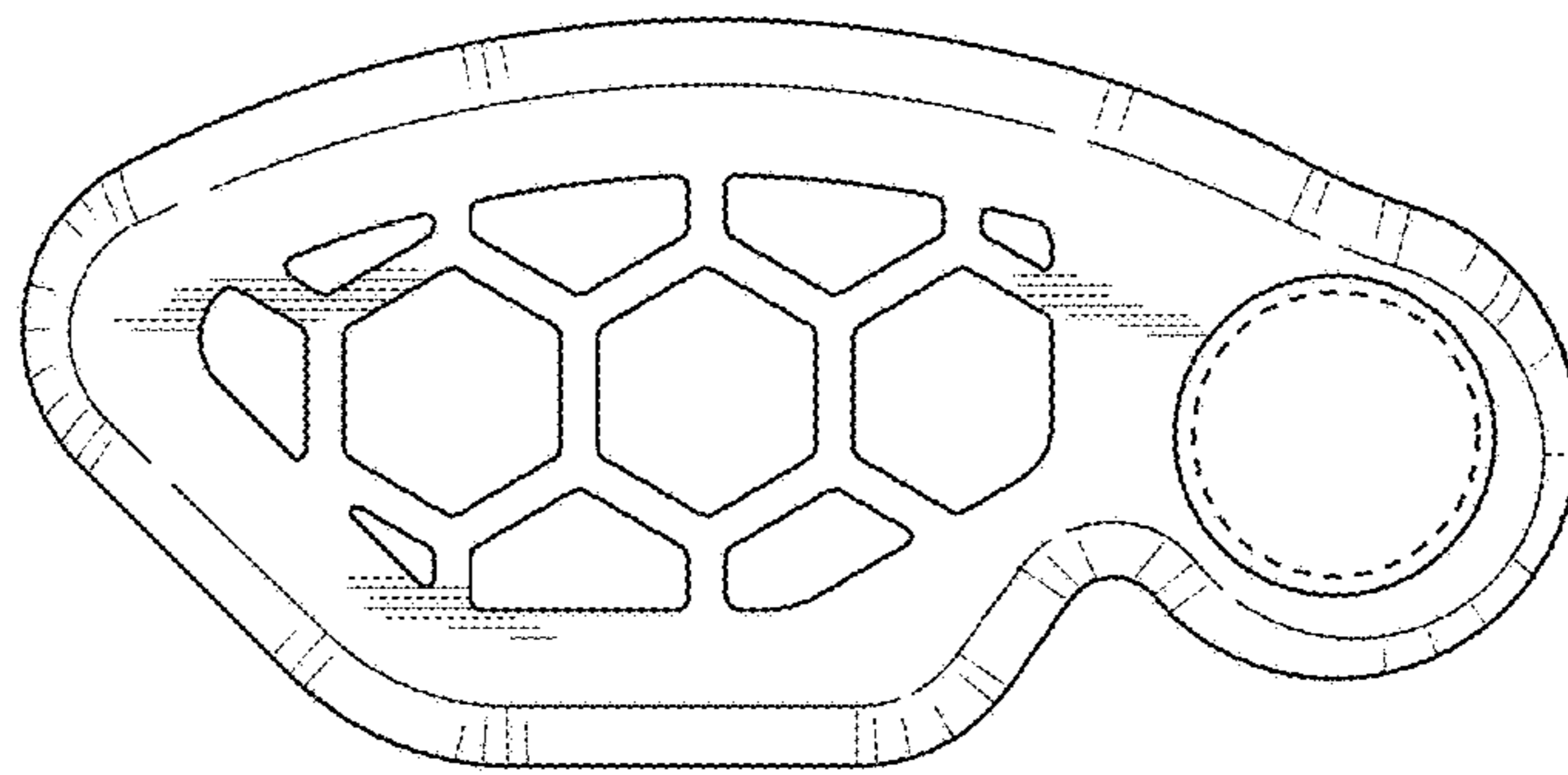


FIG. 4

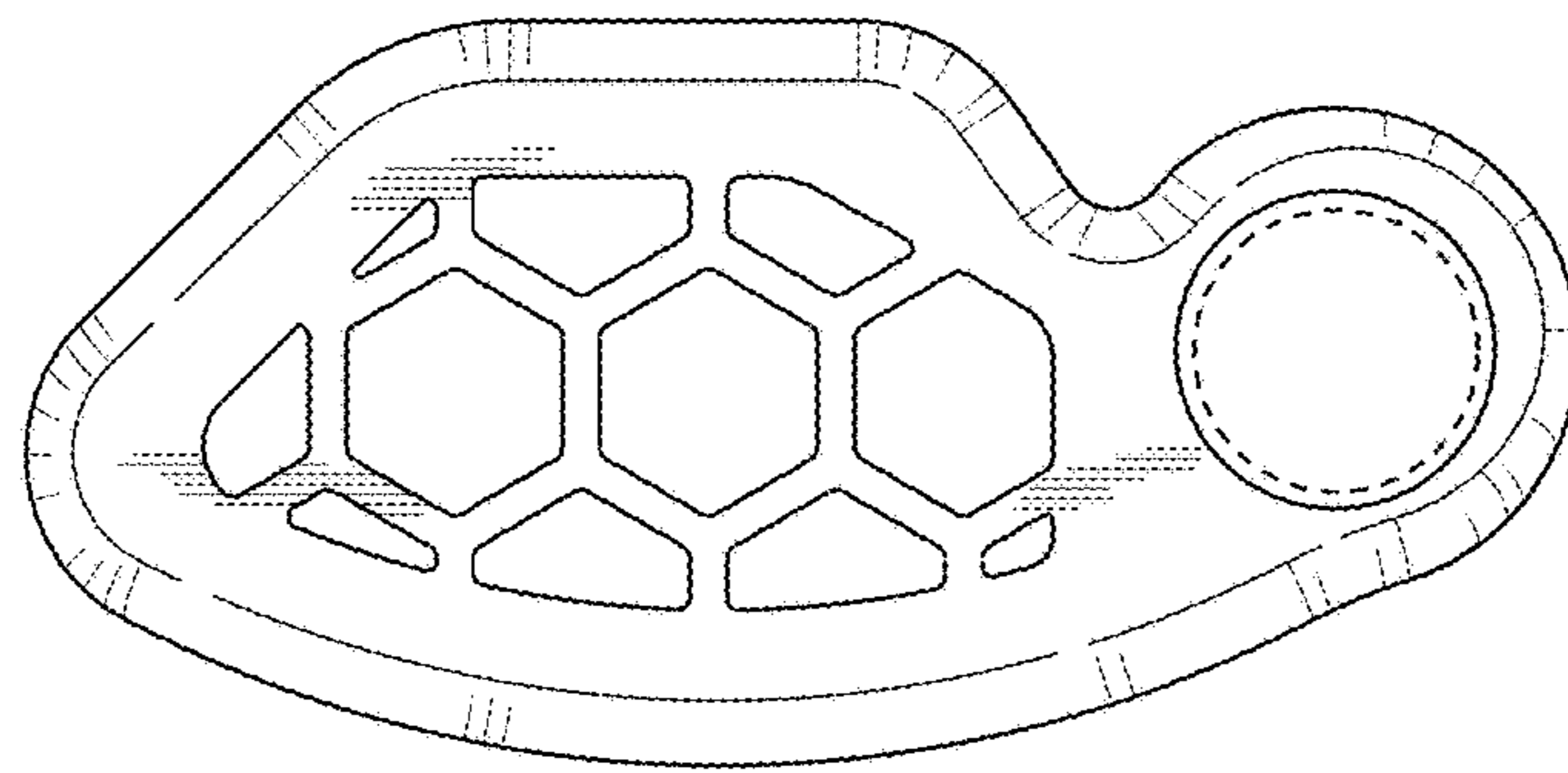


FIG. 5

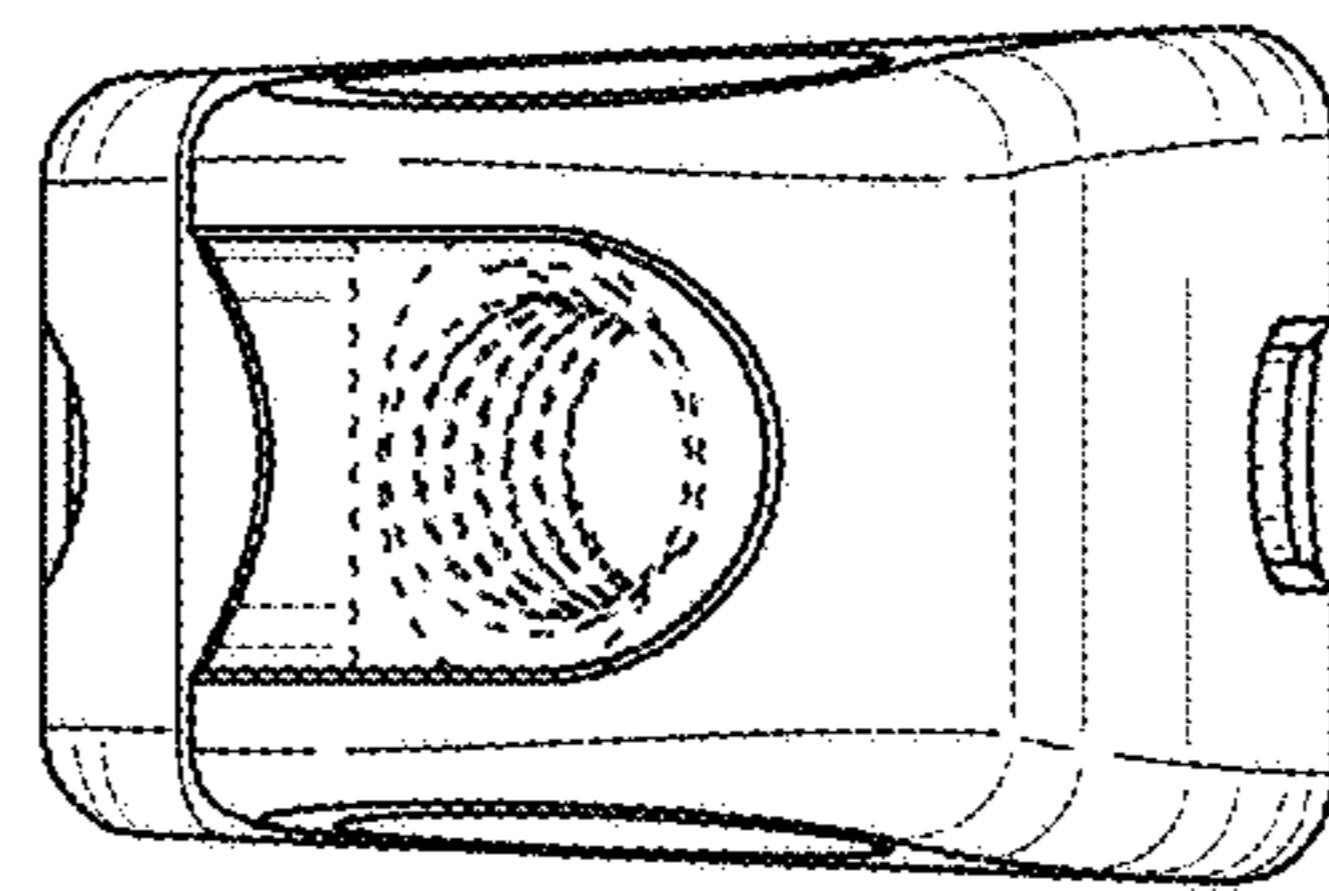


FIG. 6

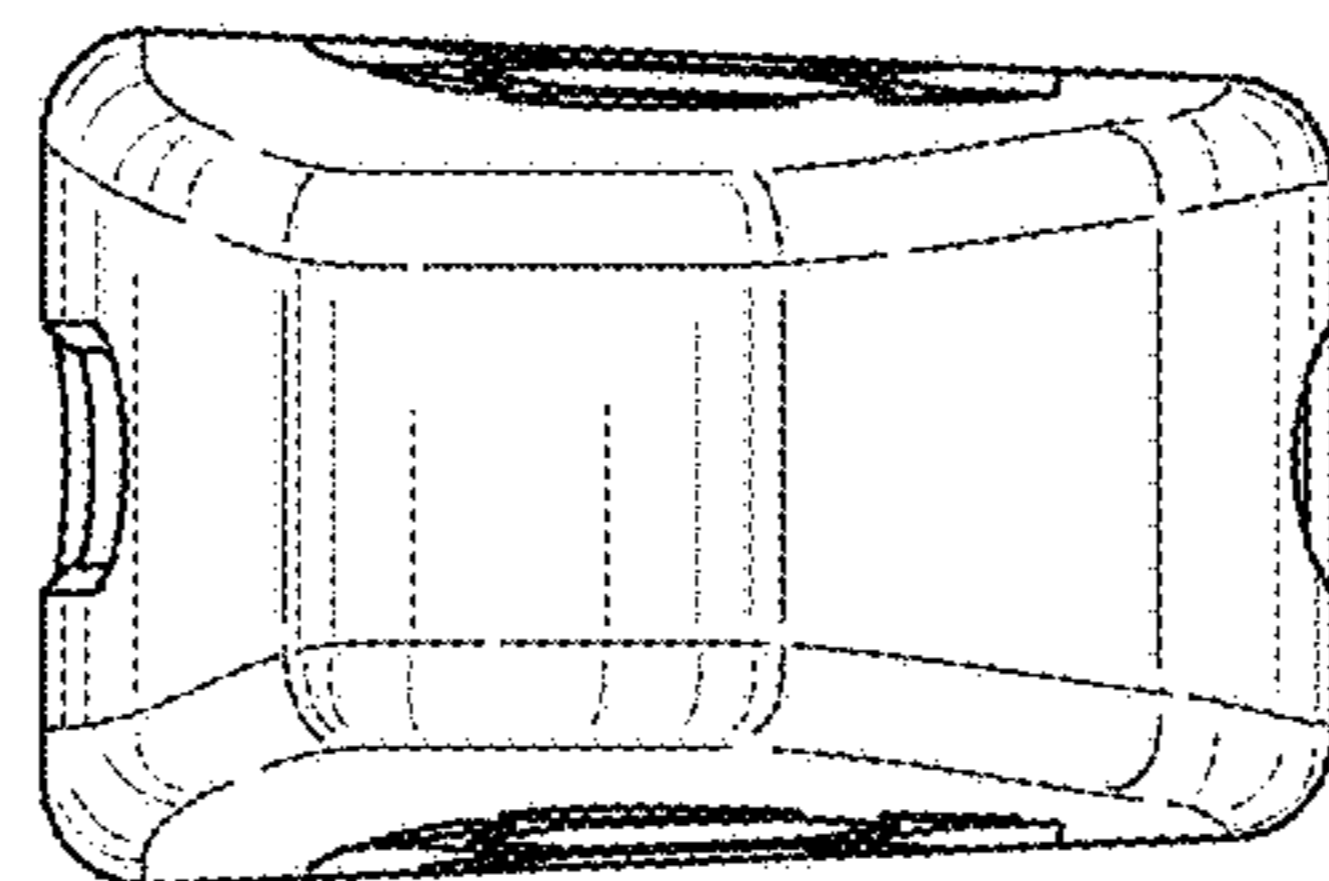


FIG. 7

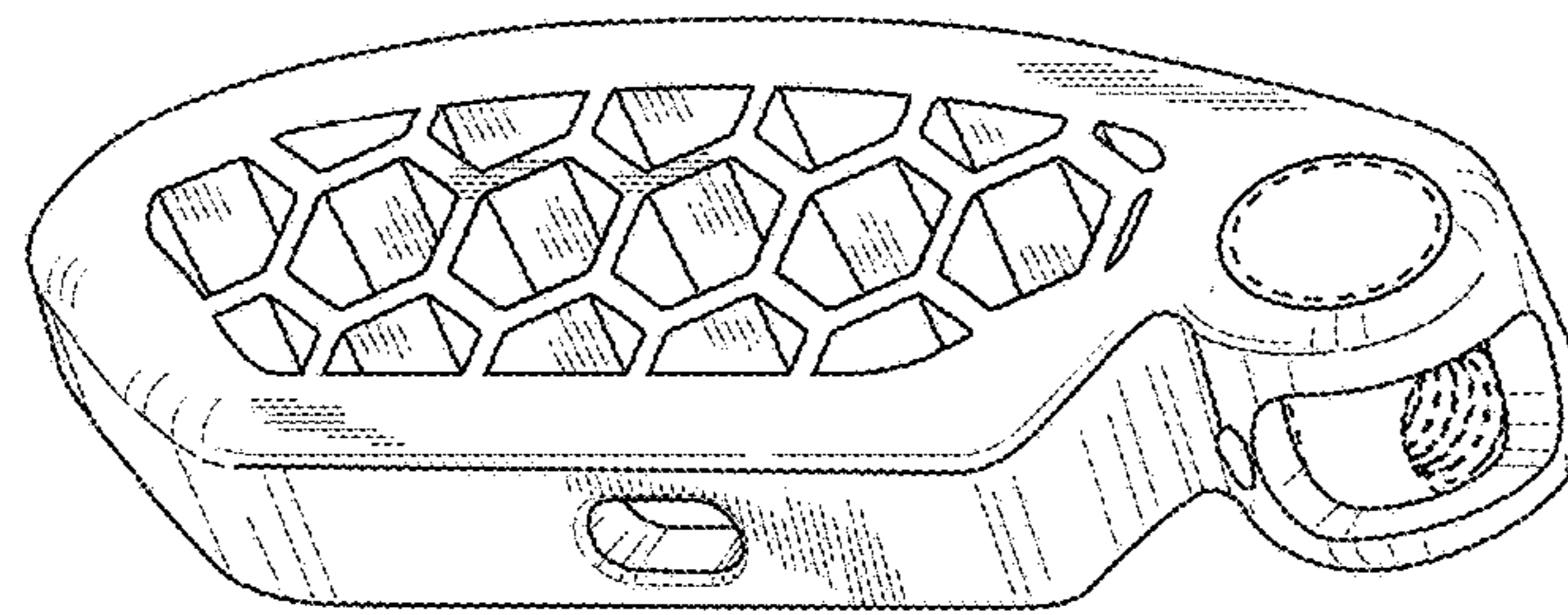


FIG. 8

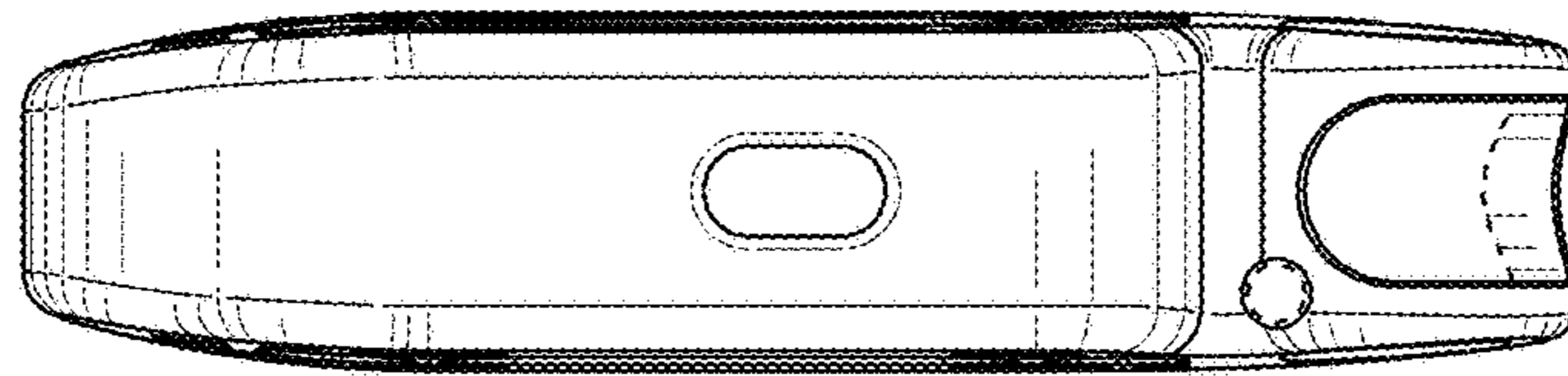


FIG. 9

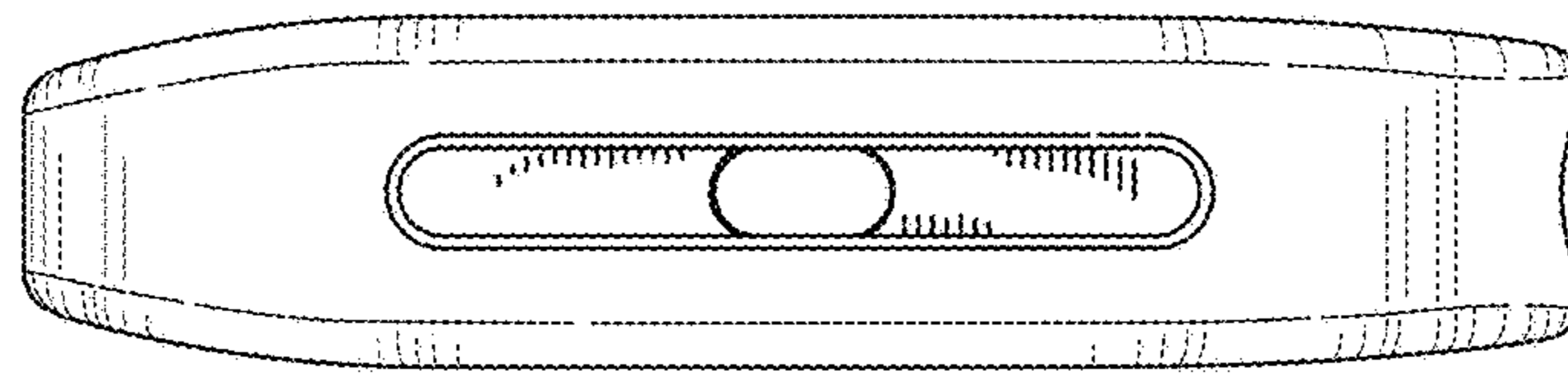


FIG. 10

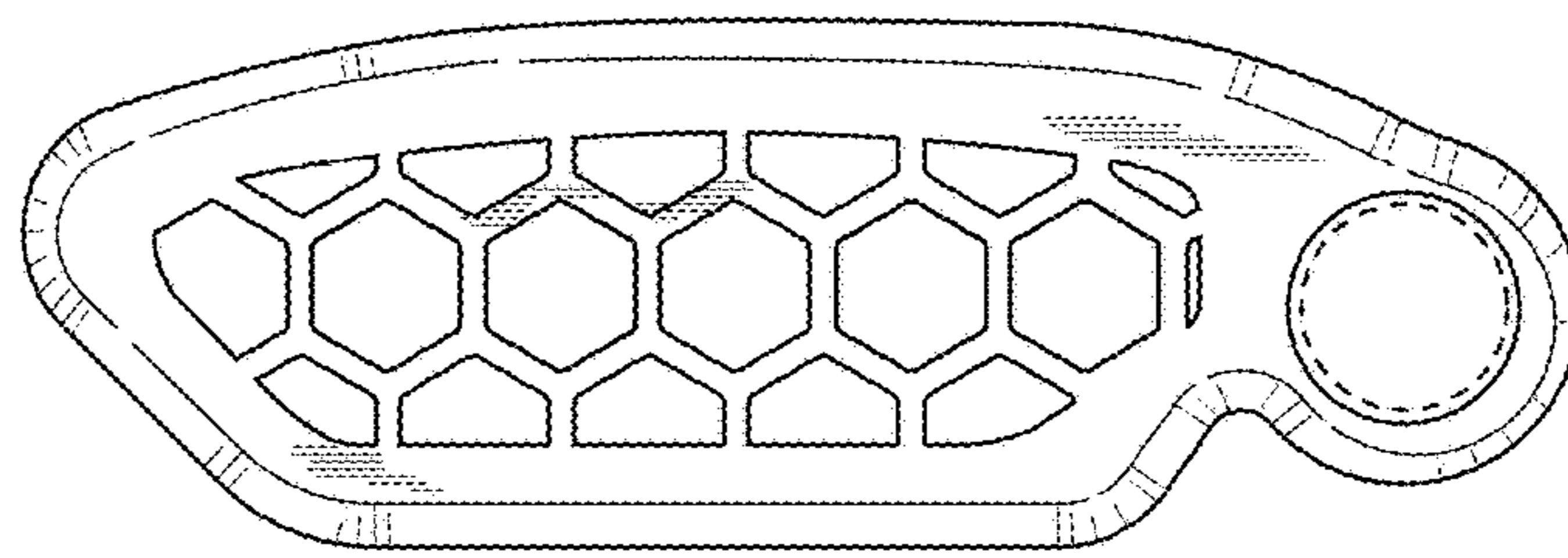


FIG. 11

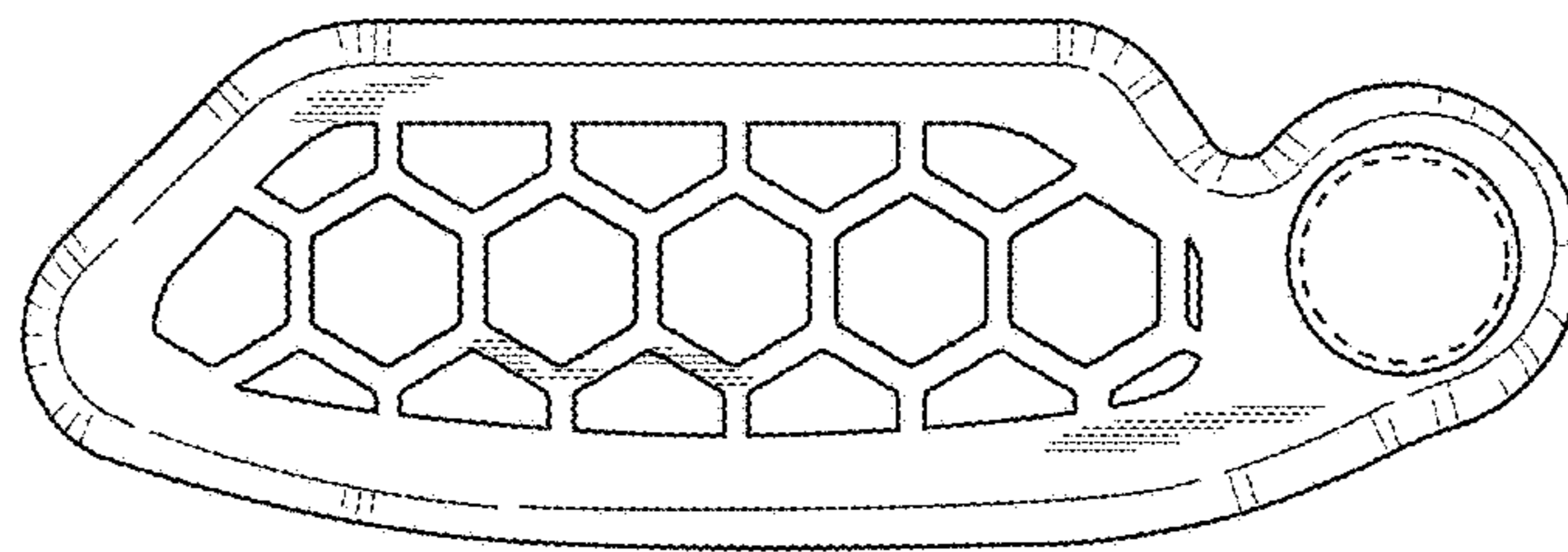


FIG. 12

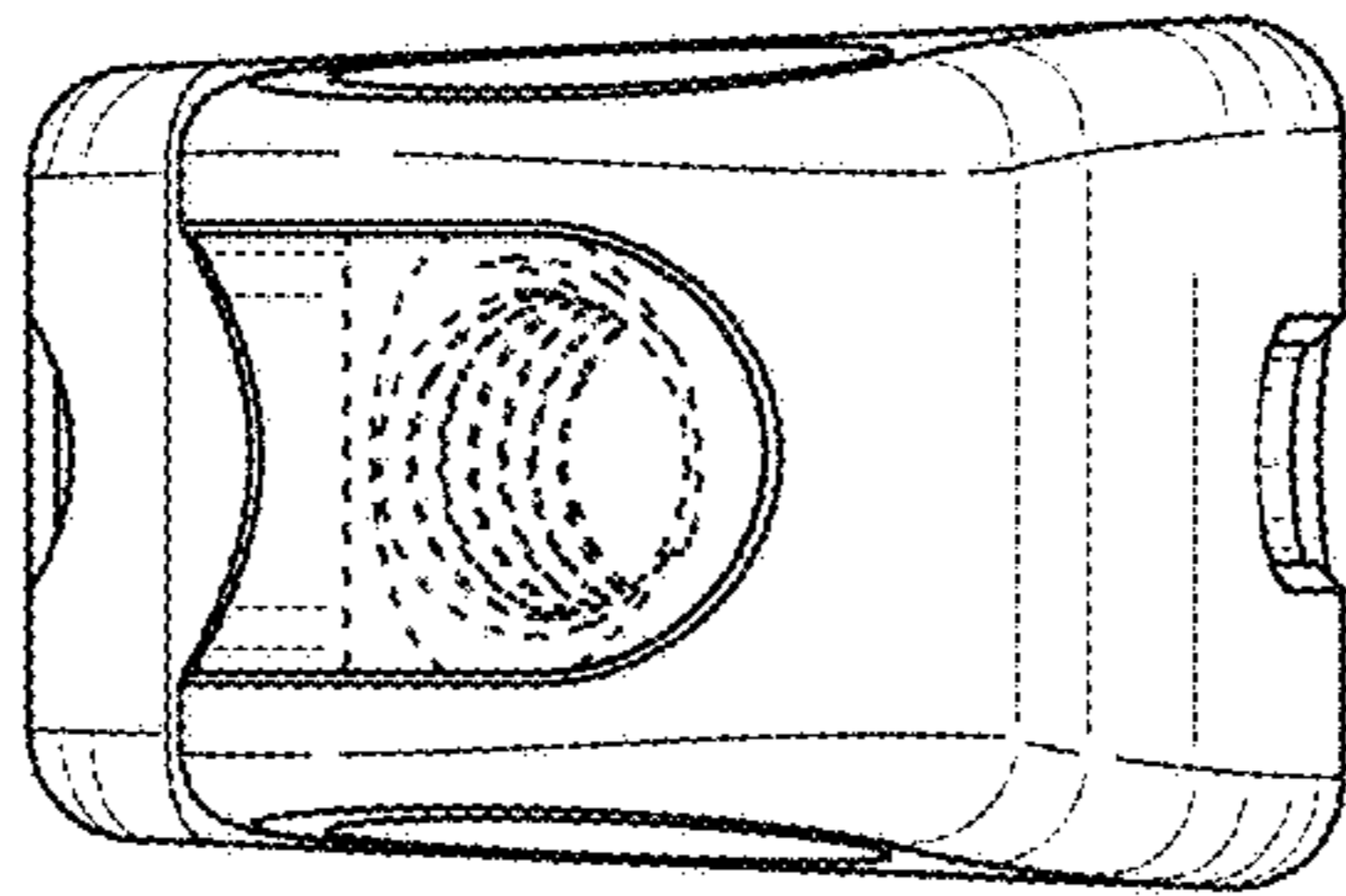


FIG. 13

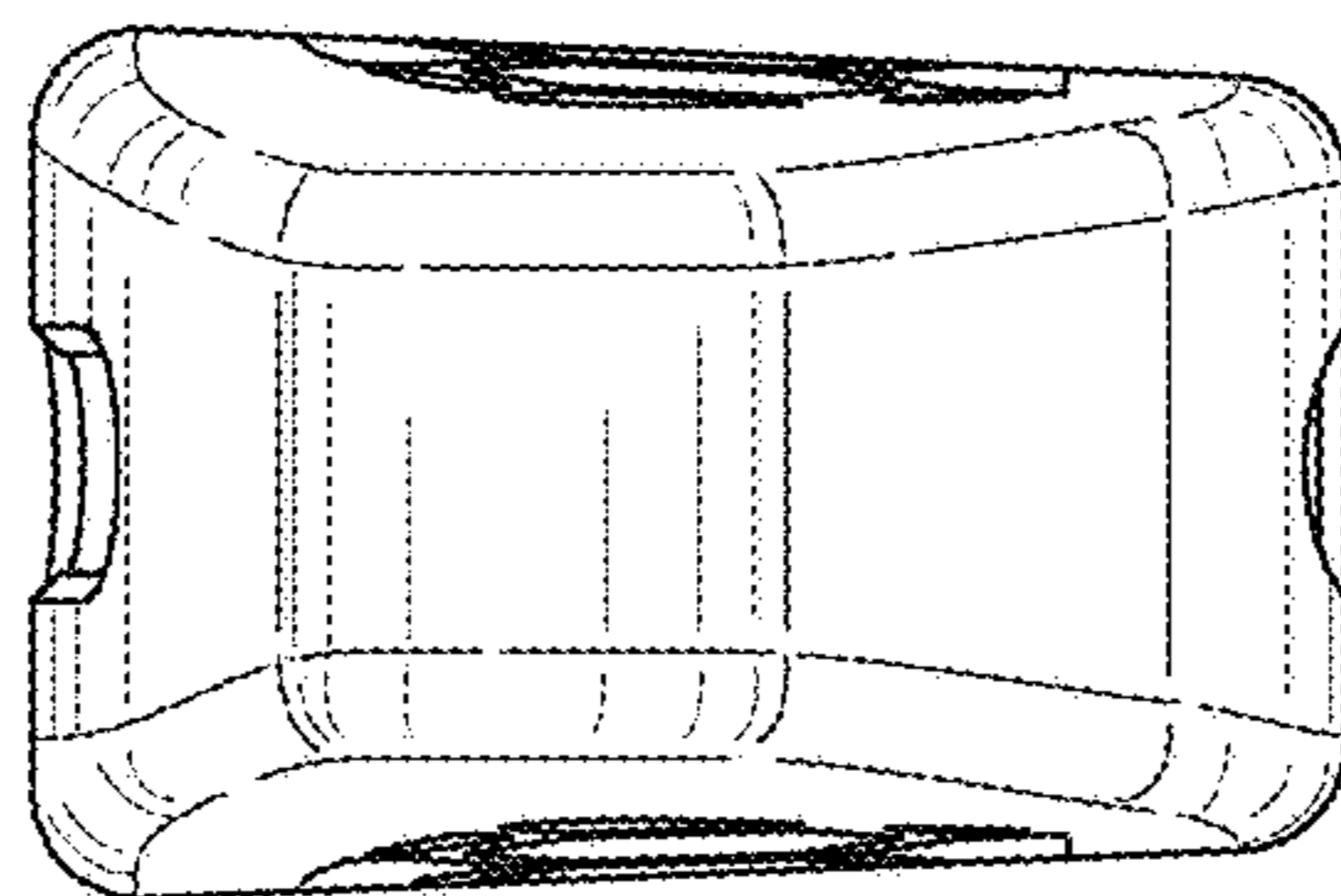


FIG. 14