



US00D847994S

(12) **United States Design Patent** (10) **Patent No.:** **US D847,994 S**  
**Asfora et al.** (45) **Date of Patent:** **\*\* May 7, 2019**

(54) **BONE SCREW**  
(71) Applicant: **SICAGE LLC**, Sioux Falls, SD (US)  
(72) Inventors: **Wilson Theophilo Asfora**, Sioux Falls, SD (US); **Daniel S. Savage**, Brecksville, OH (US)  
(73) Assignee: **SICAGE LLC**, Sioux Falls, SD (US)  
(\*\*) Term: **15 Years**  
(21) Appl. No.: **29/624,276**  
(22) Filed: **Oct. 31, 2017**  
(51) **LOC (11) Cl.** ..... **24-03**  
(52) **U.S. Cl.**  
USPC ..... **D24/155**  
(58) **Field of Classification Search**  
USPC ..... D24/155-157  
CPC ..... A61B 17/7037; A61B 17/7032; A61B 17/7291; A61B 17/8605; A61B 17/864; A61B 17/8685; A61B 17/70; A61B 17/7011; A61B 17/7035; A61B 17/7082  
See application file for complete search history.

6,135,772 A 10/2000 Jones  
6,149,686 A 11/2000 Kuslich et al.  
6,287,343 B1 9/2001 Kuslich et al.  
6,391,058 B1 5/2002 Kuslich et al.  
6,517,542 B1 2/2003 Papay et al.  
6,554,830 B1 4/2003 Chappius  
6,565,572 B2 5/2003 Chappius  
6,604,945 B1 8/2003 Jones  
6,755,835 B2 6/2004 Schultheiss et al.  
7,354,442 B2 4/2008 Sasso et al.  
D578,218 S \* 10/2008 Purga ..... D24/156  
D588,699 S \* 3/2009 Aldecoa ..... D24/156  
7,527,611 B2 5/2009 Sweeney  
7,575,572 B2 8/2009 Sweeney  
D601,703 S \* 10/2009 Kahdemann ..... D24/156  
7,608,062 B2 10/2009 Sweeney

(Continued)

**FOREIGN PATENT DOCUMENTS**

WO 2014026134 A2 2/2014  
*Primary Examiner* — Charles D Hanson  
(74) *Attorney, Agent, or Firm* — Dorsey & Whitney LLP

(57) **CLAIM**

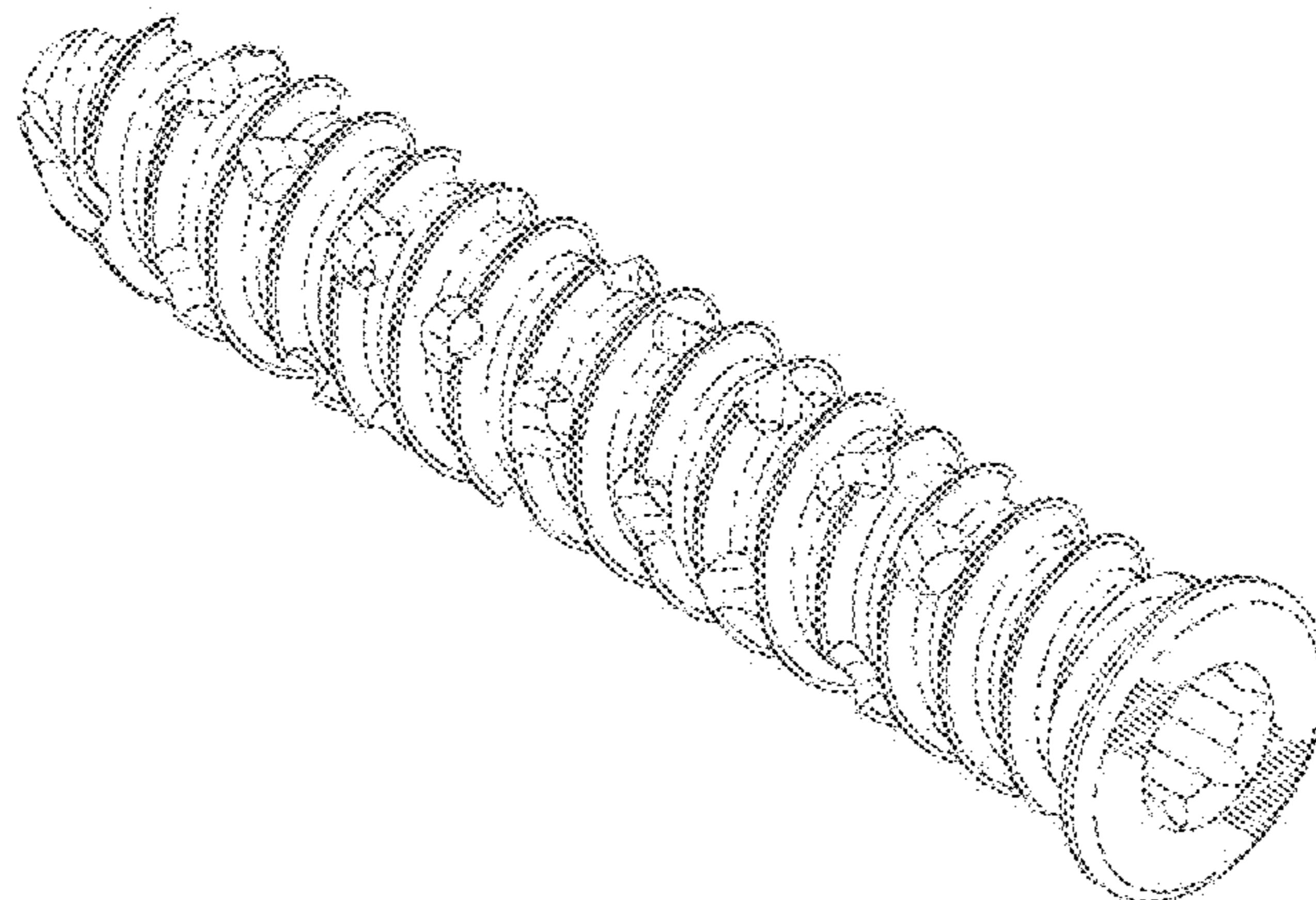
The ornamental design of a bone screw, as shown and described.

**DESCRIPTION**

FIG. 1 is a front, top-right perspective-view of an embodiment of a bone screw;  
FIG. 2 is a rear, top-left perspective-view thereof;  
FIG. 3 is a top-side view thereof;  
FIG. 4 is a bottom-side view thereof;  
FIG. 5 is a rear view thereof;  
FIG. 6 is a front view thereof;  
FIG. 7 is a right-side view thereof; and,  
FIG. 8 is a left-side view thereof.  
Any broken lines provided are for illustrative purposes only, and form no part of the claimed design.

**1 Claim, 7 Drawing Sheets**

(56) **References Cited**  
**U.S. PATENT DOCUMENTS**  
1,563,574 A 12/1925 Jensen  
2,243,718 A 5/1941 Moreira  
2,943,624 A 7/1960 Alquist  
3,844,318 A 10/1974 Raia et al.  
4,563,178 A 1/1986 Santeramo  
5,061,181 A \* 10/1991 Niznick ..... A61C 8/0022  
433/174  
5,334,205 A 8/1994 Cain  
5,676,545 A 10/1997 Jones  
5,725,581 A 3/1998 Branemark  
5,735,898 A 4/1998 Branemark  
5,743,916 A 4/1998 Greenberg et al.  
D411,009 S 6/1999 Asfora  
6,030,162 A 2/2000 Huebner



(56)

References Cited

U.S. PATENT DOCUMENTS

D603,513 S *	11/2009	Emanuelli .....	D24/156	9,333,018 B2	5/2016	Russell et al.
D604,851 S *	11/2009	Ishikawa .....	D24/156	9,445,852 B2	9/2016	Sweeney
D605,291 S *	12/2009	Ishikawa .....	D24/156	9,526,548 B2	12/2016	Asfora
7,717,947 B1	5/2010	Wilberg et al.		9,566,100 B2	2/2017	Asfora
D620,117 S *	7/2010	Dawson .....	D24/156	9,616,205 B2	4/2017	Nebosky et al.
8,062,270 B2	11/2011	Sweeney et al.		9,642,656 B2	5/2017	Kotuljac et al.
D659,247 S *	5/2012	Lussi .....	D24/156	2007/0233123 A1	10/2007	Ahmad et al.
D667,548 S	9/2012	Brannon		2011/0137352 A1	6/2011	Biedermann et al.
D668,764 S *	10/2012	Lussi .....	D24/156	2011/0213426 A1	9/2011	Yedlicka et al.
8,303,602 B2	11/2012	Biedermann et al.		2012/0089195 A1	4/2012	Yedlicka et al.
8,382,808 B2	2/2013	Wilberg et al.		2013/0065698 A1	3/2013	Biedermann et al.
8,574,273 B2	11/2013	Russell et al.		2013/0245602 A1	9/2013	Sweeney
8,764,797 B2	7/2014	Dreyfuss et al.		2014/0012340 A1	1/2014	Beck et al.
8,808,337 B2	8/2014	Sweeney et al.		2014/0046381 A1	2/2014	Asfora
8,870,836 B2	10/2014	Sweeney		2014/0277188 A1	9/2014	Poulos
8,956,369 B2	2/2015	Millett et al.		2015/0230844 A1	8/2015	Ellis
9,131,970 B2	9/2015	Kang		2015/0238203 A1	8/2015	Asfora
9,173,692 B1	11/2015	Kaloostian		2015/0272646 A1	10/2015	Russell
9,198,702 B2	12/2015	Biederman et al.		2015/0313658 A1	11/2015	Kolb
D748,263 S *	1/2016	Ishiwata .....	D24/156	2016/0000489 A1	1/2016	Kaloostian
9,271,742 B2	3/2016	Asfora		2016/0008044 A1	1/2016	Sweeney
9,271,743 B2	3/2016	Asfora		2016/0143671 A1	5/2016	Jiminez
9,295,488 B2	3/2016	Asfora		2016/0143679 A1	5/2016	Asfora
9,326,779 B2	5/2016	Dorawa et al.		2016/0143742 A1	5/2016	Asfora
9,326,801 B2	5/2016	Poulos		2016/0151100 A1	6/2016	Biedermann et al.
				2016/0220291 A1	8/2016	Russell et al.
				2016/0310188 A1	10/2016	Marino et al.

\* cited by examiner

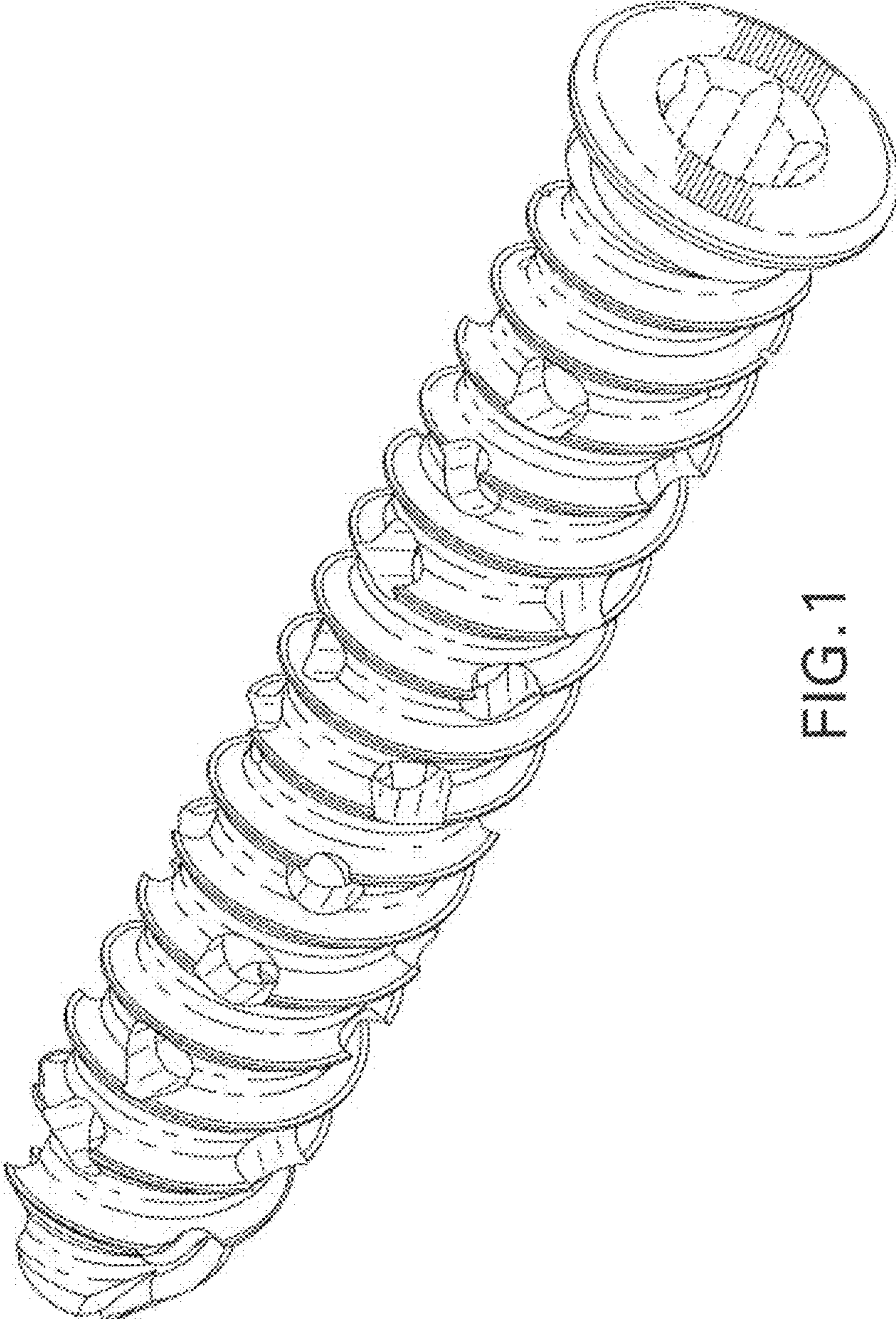


FIG.1

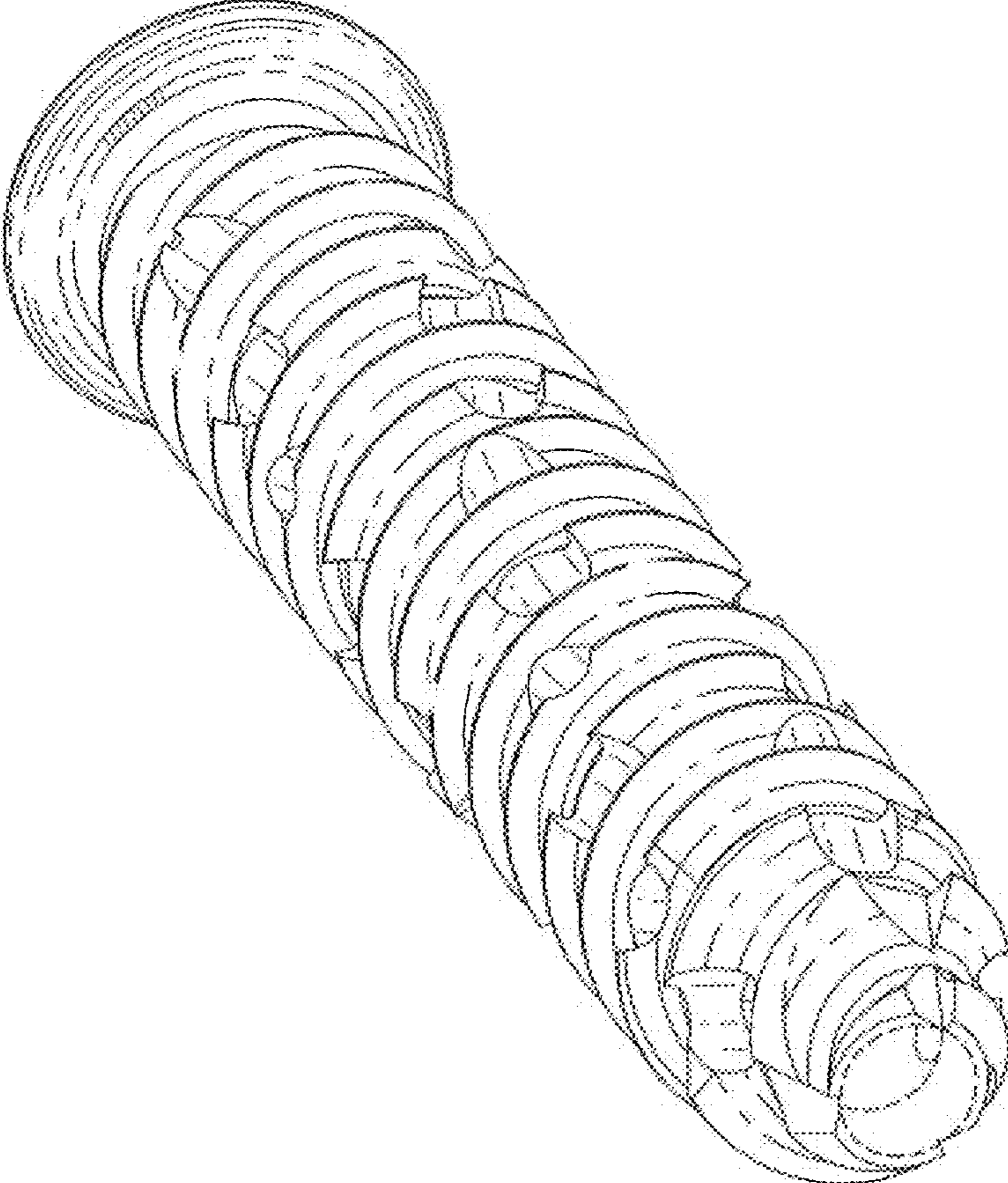


FIG. 2

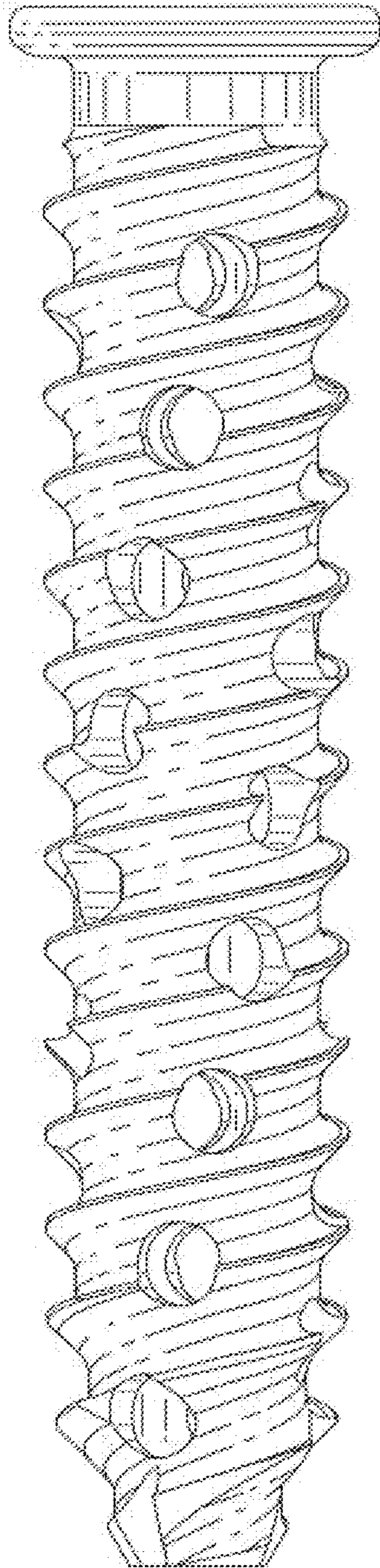


FIG. 3

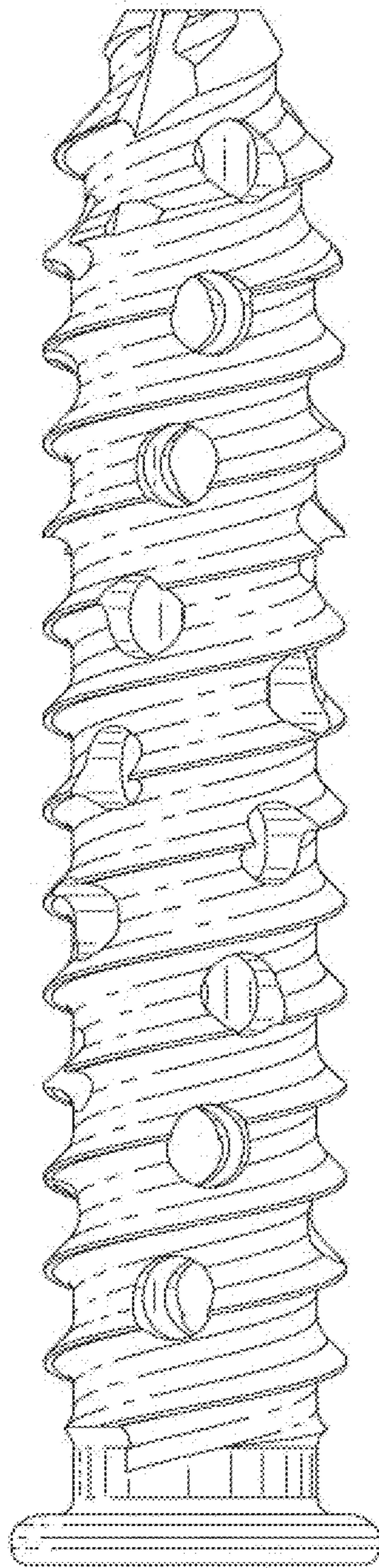


FIG. 4

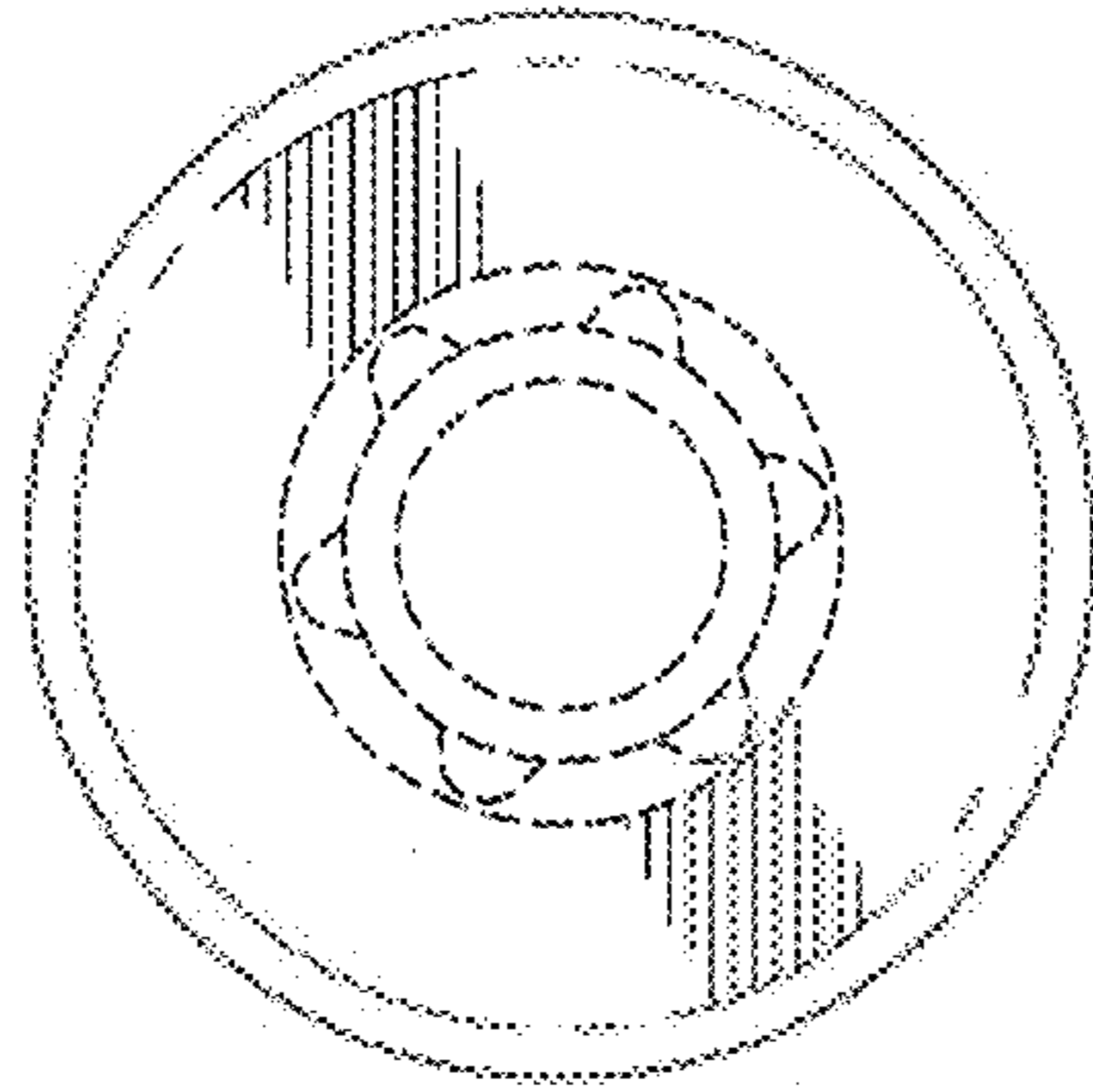


FIG. 6

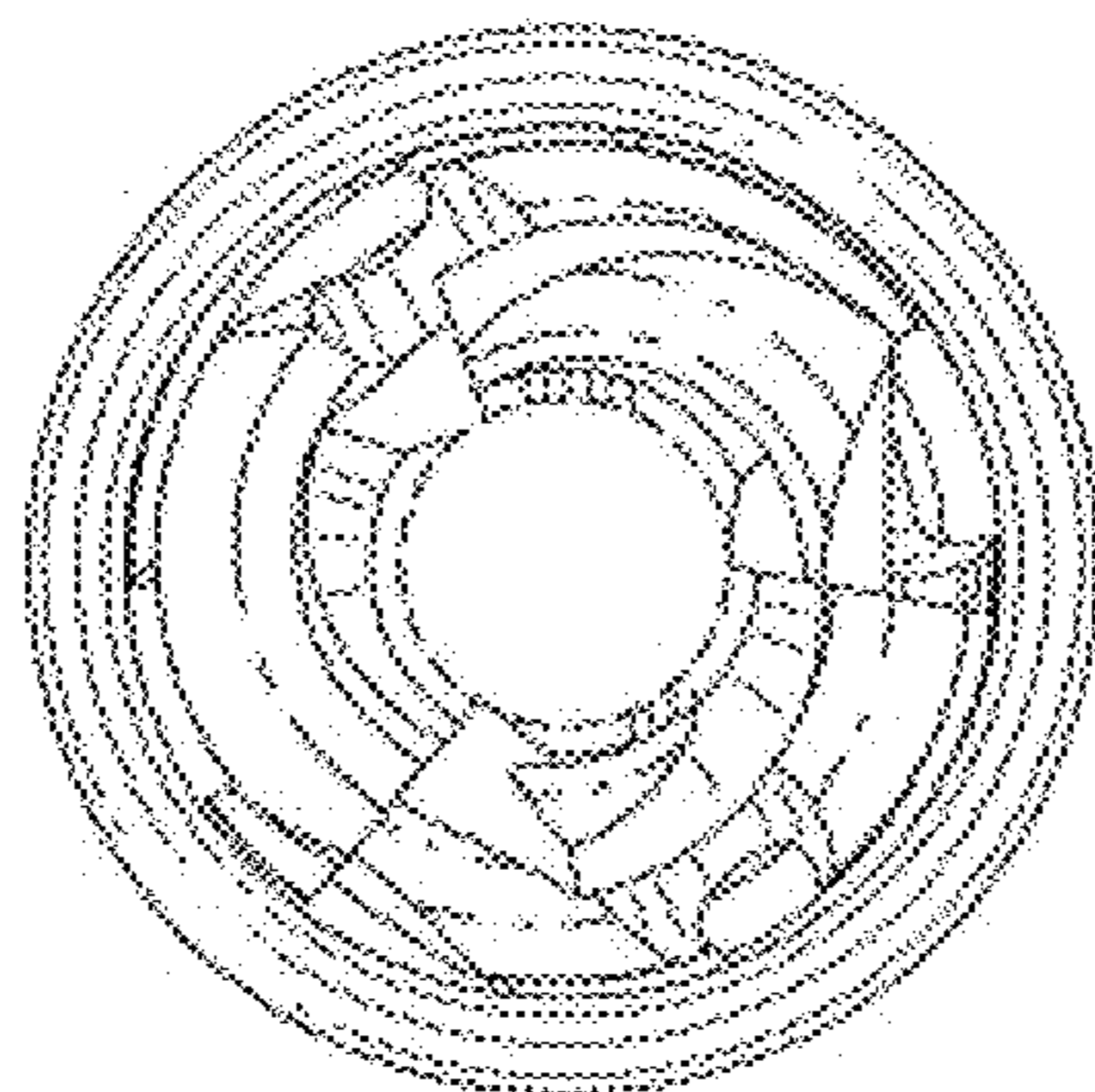


FIG. 5

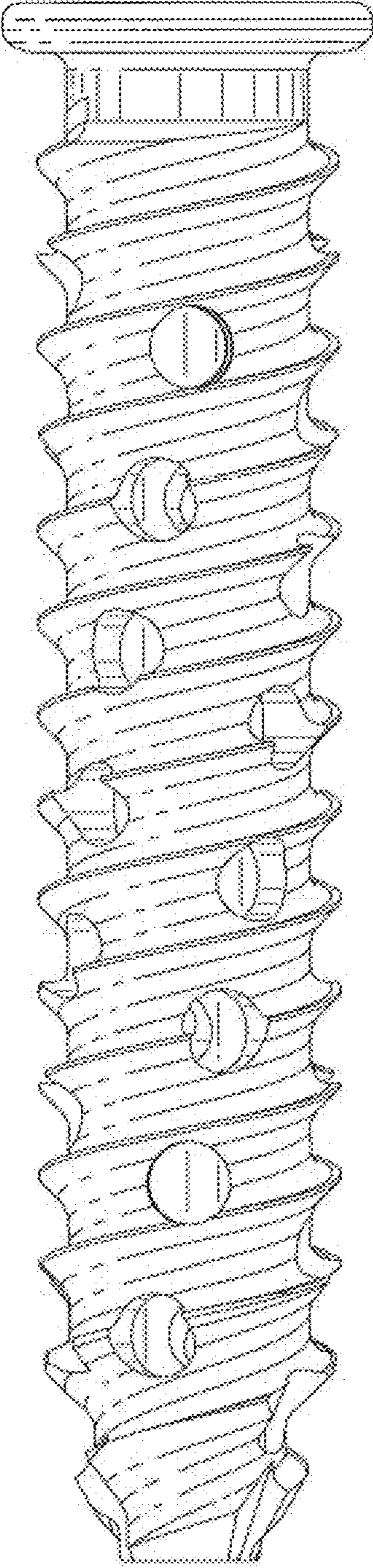


FIG. 7



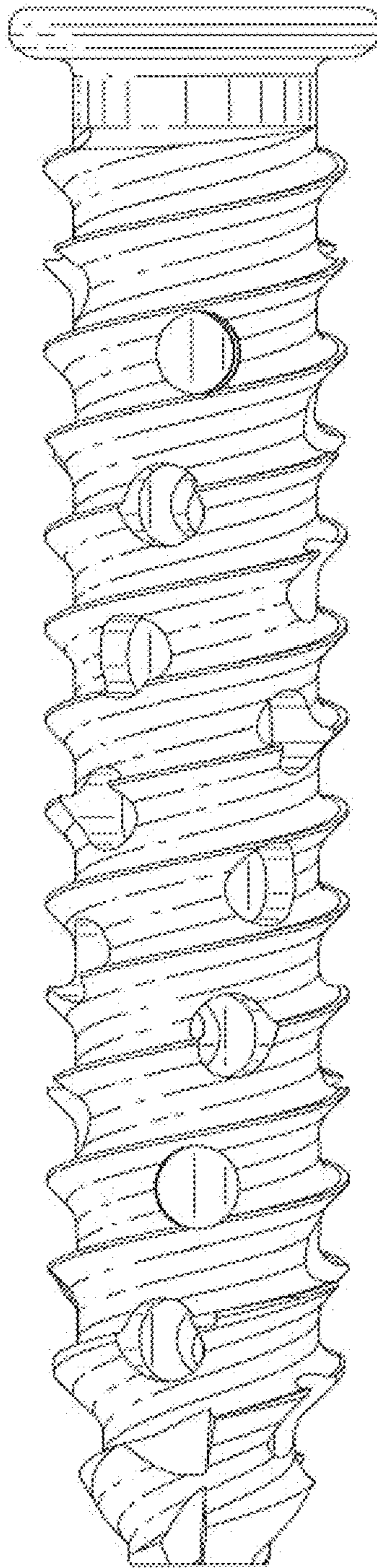


FIG. 8