

US00D847993S

(12) **United States Design Patent** (10) **Patent No.:** **US D847,993 S**
Olson (45) **Date of Patent:** **** May 7, 2019**

(54) **EAR CLEANER**
(71) Applicant: **Quest Products, LLC**, Pleasant Prairie, WI (US)
(72) Inventor: **Richard Carl Olson**, Mundelein, IL (US)
(73) Assignee: **Quest Products, LLC**, Pleasant Prairie, WI (US)

5,107,861 A 4/1992 Narboni
D327,322 S 6/1992 Brewer, Jr.
5,223,259 A 6/1993 Lackney
(Continued)

FOREIGN PATENT DOCUMENTS

AU 2013100584 8/2013
EP 0158543 10/1985
(Continued)

OTHER PUBLICATIONS

Ototek Loop Ear Wax Removal https://www.amazon.com/Ototek-Loop-Ear-Wax-Removal/dp/B008BXLINQ/ref=cm_cr_ar_p_d_product_top?ie=UTF8 Aug. 13, 2012 (Year: 2012).*
(Continued)

Primary Examiner — Cathron C Brooks
Assistant Examiner — Samantha Q Lawrence
(74) *Attorney, Agent, or Firm* — Fitch, Even, Tabin & Flannery, LLP

(**) Term: **15 Years**
(21) Appl. No.: **29/567,975**
(22) Filed: **Jun. 14, 2016**
(51) **LOC (11) Cl.** **24-02**
(52) **U.S. Cl.**
USPC **D24/147**
(58) **Field of Classification Search**
USPC D24/119, 133, 146, 147, 151; 606/160, 606/161, 162; 604/1, 11; 15/176.2, 15/209.1, 244.4; 132/333
CPC A61F 11/006; A61F 11/00; A61F 13/38; A61F 13/385; A61F 2240/001; A61F 2250/0014; A61F 2250/0037; A61B 17/24
See application file for complete search history.

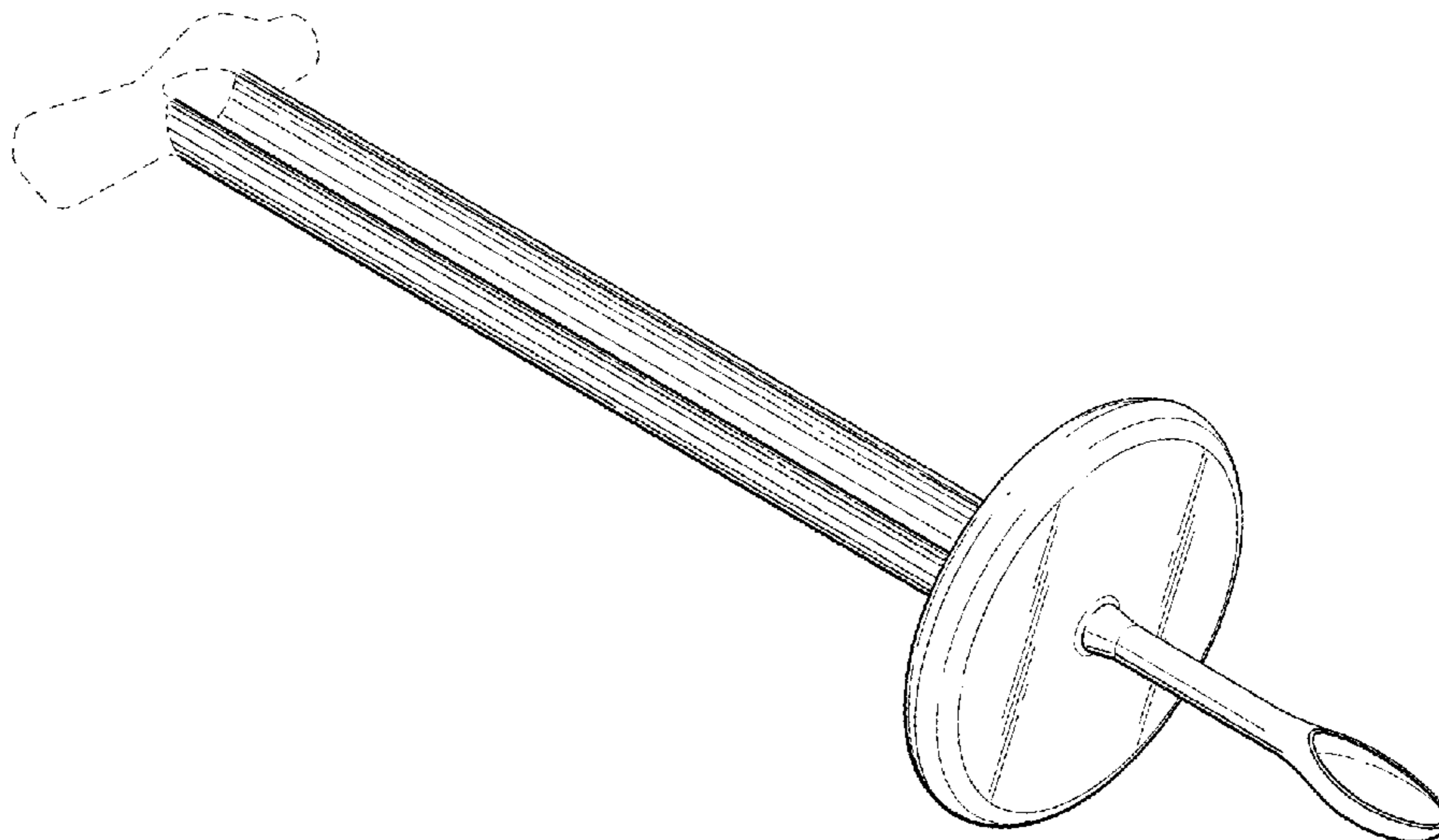
(57) **CLAIM**
I claim the ornamental design for an ear cleaner, as shown and described.

DESCRIPTION

FIG. 1 is a perspective view of an ear cleaner, showing my new design;
FIG. 2 is a top plan view thereof;
FIG. 3 is a bottom plan view thereof;
FIG. 4 is a side elevational view thereof, the opposite side elevational view being a mirror image thereof;
FIG. 5 is a rear elevational view thereof; and,
FIG. 6 is a front elevational view thereof.
The broken lines shown in FIGS. 1, 2, 3, 4, and 5 illustrate portions of the ear cleaner that form no part of the claimed design. The dot-dashed broken lines in FIGS. 1, 2, 3, and 4 represent an unclaimed boundary that forms no part of the claimed design.

(56) **References Cited**
U.S. PATENT DOCUMENTS
147,660 A 2/1874 Leiner
651,395 A 6/1900 Stapp
D144,599 S * 4/1946 Tupper D7/653
3,099,263 A 7/1963 Palazzolo
3,203,418 A 8/1965 Johnston
4,091,497 A 5/1978 Bade
4,411,265 A 10/1983 Eichenlaub
4,568,326 A 2/1986 Rangaswamy
D296,005 S * 5/1988 Alkire D24/119
4,746,238 A 5/1988 Levine
4,935,001 A 6/1990 George

1 Claim, 3 Drawing Sheets



(56)

References Cited

U.S. PATENT DOCUMENTS

D339,036 S * 9/1993 McDaniel D7/643
 5,334,212 A 8/1994 Karell
 5,374,276 A 12/1994 Lay
 D362,067 S * 9/1995 Chang D24/133
 5,509,921 A 4/1996 Karell
 5,632,756 A 5/1997 Kruglick
 5,715,850 A * 2/1998 Markgraaf A61F 11/006
 132/333
 D405,175 S * 2/1999 Stredic, III D24/119
 5,888,199 A * 3/1999 Karell A61F 11/006
 606/162
 5,897,568 A 4/1999 Vanraes
 D414,866 S 10/1999 Szabo
 D415,275 S * 10/1999 Huttner D24/147
 D420,133 S * 2/2000 Huttner D24/147
 6,033,417 A 3/2000 Tseng
 D422,360 S 4/2000 Young
 6,080,126 A * 6/2000 Zygmunt A61F 13/385
 600/569
 D432,239 S 10/2000 Shimizu
 D441,141 S 4/2001 Shalita
 D444,556 S * 7/2001 Estrem D24/146
 6,270,510 B1 8/2001 Westendorf
 D469,871 S * 2/2003 Sand D24/133
 6,695,802 B1 2/2004 Thompson
 D489,131 S * 4/2004 Gojcaj D24/133
 D489,133 S 4/2004 Shimizu
 D490,523 S 5/2004 Samborski
 6,736,826 B2 5/2004 Begun
 6,939,360 B2 9/2005 Crespo
 D515,213 S * 2/2006 Huttner D24/147
 7,070,603 B2 7/2006 Eicoff
 7,074,230 B2 7/2006 Olson
 D545,431 S 6/2007 Khademhosseini
 D546,948 S * 7/2007 Huttner D24/133
 D547,869 S 7/2007 Eckman
 D560,800 S * 1/2008 Curtis D24/119
 D560,806 S 1/2008 Eckman
 D567,373 S 4/2008 Irby
 D603,046 S * 10/2009 Frey D24/133
 7,658,745 B2 2/2010 Olson
 D631,957 S 2/2011 Perez
 D638,985 S 5/2011 Limongi
 7,951,106 B1 5/2011 Perez
 D654,165 S 2/2012 Yates
 D701,600 S 3/2014 Kauffman
 9,232,853 B2 * 1/2016 Olson A46B 5/02
 9,233,027 B1 1/2016 Jackson
 9,278,030 B2 3/2016 Olson
 D757,938 S 5/2016 Jackson
 2001/0001828 A1 5/2001 Begun
 2003/0135228 A1 7/2003 Crespo
 2005/0096678 A1 5/2005 Olson

2008/0300527 A1 12/2008 Bivins
 2009/0248029 A1 10/2009 Paulos
 2010/0312198 A1 12/2010 Guidi
 2011/0179887 A1 7/2011 Cobian
 2012/0296355 A1 11/2012 Burres
 2013/0331804 A1 12/2013 Nino
 2014/0031846 A1 1/2014 Edme
 2014/0276893 A1 9/2014 Schaller
 2016/0175154 A1 6/2016 Olson
 2017/0354541 A1 * 12/2017 Olson A61F 11/006

FOREIGN PATENT DOCUMENTS

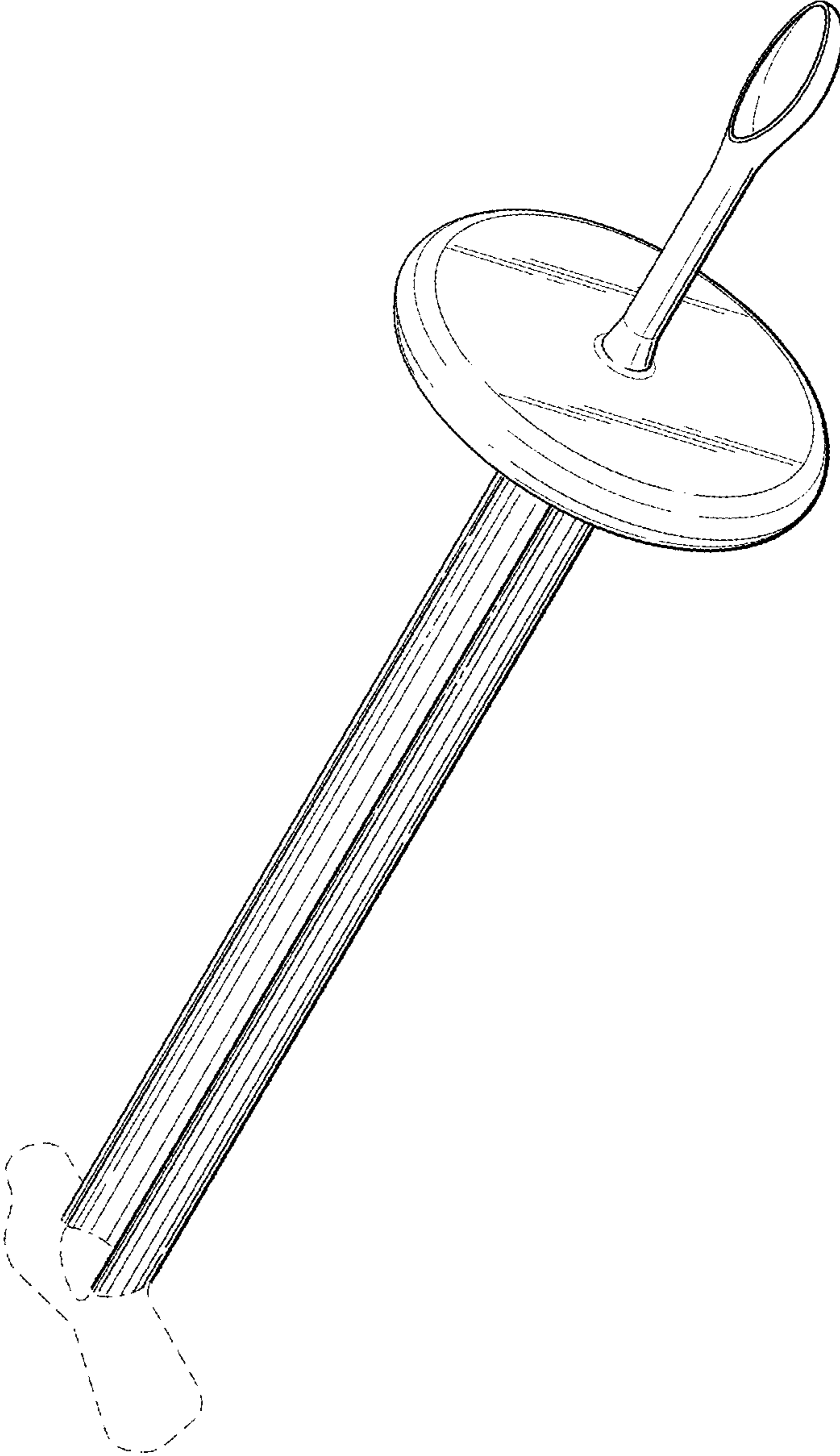
EP 0234061 9/1987
 EP 0875221 11/1998
 WO 1996037172 11/1996

OTHER PUBLICATIONS

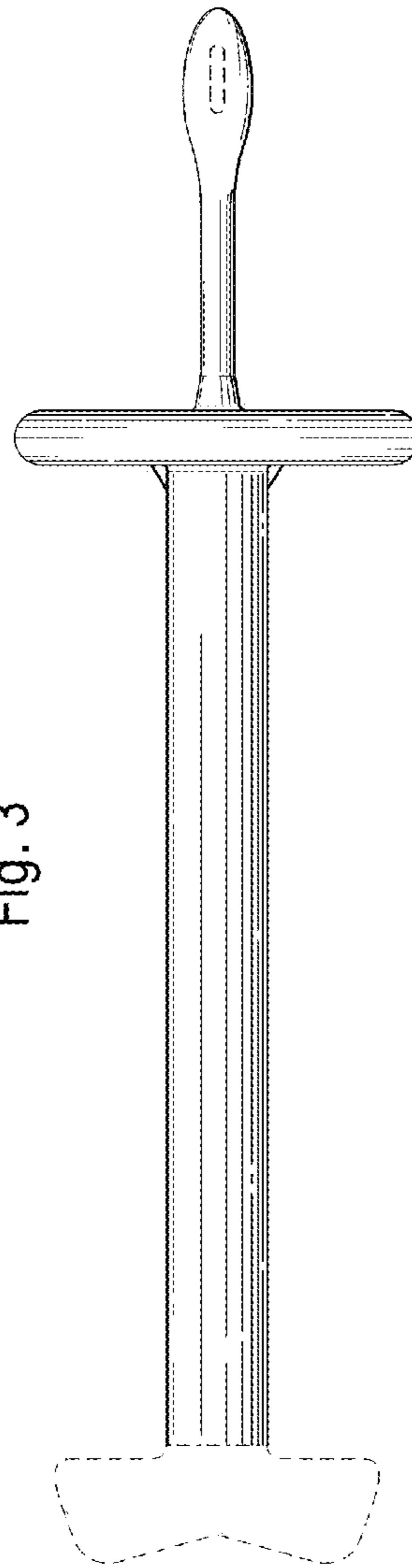
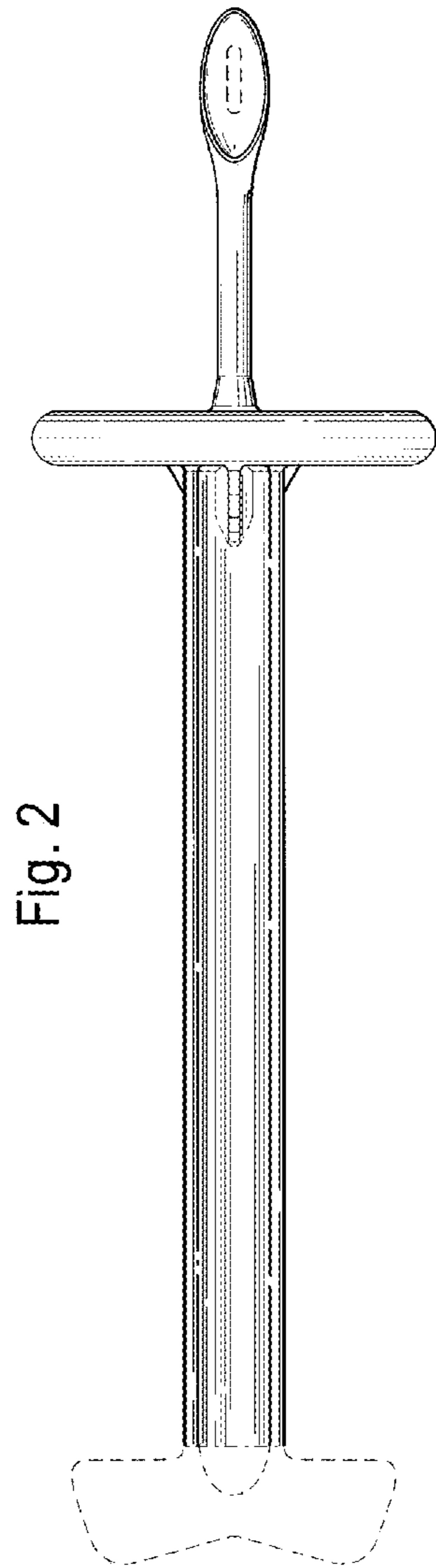
Clinere Earwax Cleaning Kit https://www.amazon.com/Clinere-Earwax-Cleaning-Kit/dp/B0101K30PI/ref=sr_1_3_s_it?s=hpc&ie=UTF8&qid=1522946098&sr=1-3&keywords=clinere#customerReviews Jan. 7, 2017 (Year: 2017).
 “Pictures of Another Clinere® Brand Ear Cleaner.” The ear cleaning device being publicly available for purchase more than one year before Jul. 15, 2013, 3 pages.
 “Pictures of Clinere® Brand Ear Cleaner.” The ear cleaning device being publicly available for purchase more than one year before Jul. 15, 2013, 3 pages.
 “Pictures of Walgreens Brand Ear Cleaner.” The ear cleaning device being publicly available for purchase on or about Jun. 29, 2017, 3 pages.
 Pictures of an Ear Cleaning Device and Its Retail Packaging. The ear cleaning device being publicly available before Jun. 14, 2016, 3 pages.
 U.S. Appl. No. 15/655,332, “Ear Cleaner,” filed Jul. 20, 2017.
 “Pictures of Ototek Loop Ear Cleaner.” The ear cleaner being publicly available for sale before Jul. 15, 2012, 3 pages.
 YouTube video entitled “Smart Swab,” posted Sep. 4, 2014, screen captures and video description, 5 pages. <<https://youtu.be/XNSpdXUwNuM>>.
 “Pictures of Ear Cleaner—Earvana 1.” The ear cleaner being publicly available before Mar. 2013, 2 pages.
 “Pictures of Ear Cleaner—Earvana 2.” The ear cleaner being publicly available before Mar. 2013, 2 pages.
 “Pictures of Ear Cleaner—Earvana 3.” The ear cleaner being publicly available before Mar. 2013, 2 pages.
 “Pictures of Ear Cleaner—Earvana 4.” The ear cleaner being publicly available before Mar. 2013, 2 pages.
 “Pictures of Ear Scrubber Ear Cleaner.” The ear cleaner being publicly available Nov. 2015, 1 page.

* cited by examiner

Fig. 1



REPLACEMENT SHEET
Application No. 29/567,975
2/3



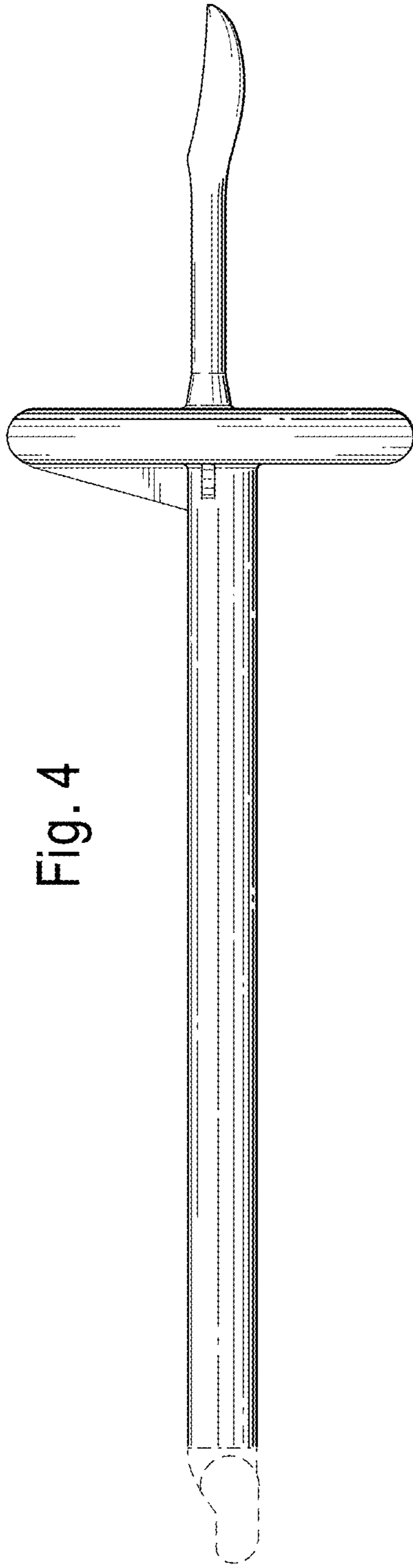


Fig. 4

Fig. 5

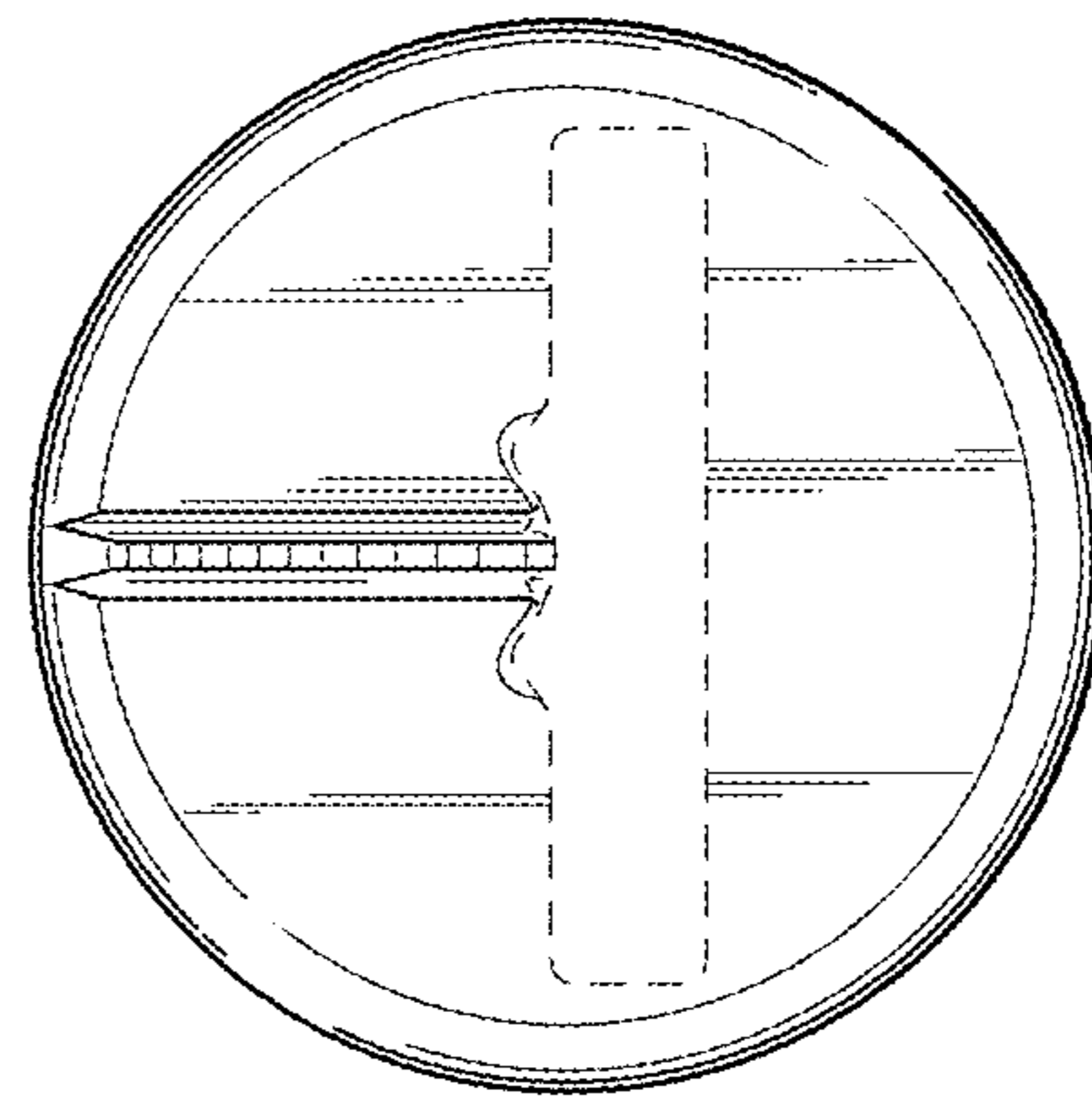


Fig. 6

