



US00D847992S

(12) **United States Design Patent** (10) **Patent No.:** **US D847,992 S**  
**Adams et al.** (45) **Date of Patent:** **\*\* May 7, 2019**

(54) **MEDICAL DEVICE HANDLE** D329,092 S \* 9/1992 Carusillo ..... D24/146  
5,190,542 A 3/1993 Nakao et al.  
(71) Applicant: **POLYGON MEDICAL, INC.,** 5,201,740 A 4/1993 Nakao et al.  
Newton, MA (US) 5,271,414 A 12/1993 Partika et al.  
5,327,896 A 7/1994 Schmieding  
(72) Inventors: **Ronald D. Adams**, Holliston, MA 5,336,227 A 8/1994 Nakao et al.  
(US); **Danial Ferreira**, Woodbridge, CT 5,347,991 A 9/1994 Nakao et al.  
(US); **Paul Dicesare**, Easton, CT (US) 5,363,860 A 11/1994 Nakao et al.  
5,395,313 A 3/1995 Naves et al.  
(73) Assignee: **POLYGON MEDICAL, INC.,** 5,417,697 A 5/1995 Wilk et al.  
Newton, MA (US) 5,423,830 A 6/1995 Schneebaum et al.  
(Continued)

(\*\*) Term: **15 Years**

**FOREIGN PATENT DOCUMENTS**

(21) Appl. No.: **29/608,903**  
(22) Filed: **Jun. 27, 2017**  
(51) **LOC (11) Cl.** ..... **24-02**  
(52) **U.S. Cl.**  
USPC ..... **D24/146**  
(58) **Field of Classification Search**  
USPC ..... D24/127, 130, 133, 146, 147, 148;  
D8/93, 97, 300, 310, 311, 313; D19/110,  
D19/115; D7/649  
CPC ..... B26B 3/00; B26B 1/10; A61B 17/089;  
A61B 17/1617; A61B 17/3211; A61B  
17/3417; A61B 17/1411; A61B 17/1624;  
A61B 17/162; A61B 17/1622; A61B  
17/00424  
See application file for complete search history.

WO WO 2014/081812 5/2014  
*Primary Examiner* — Cathron C Brooks  
*Assistant Examiner* — Samantha Q Lawrence  
(74) *Attorney, Agent, or Firm* — Knobbe Martens Olson  
& Bear LLP

(57) **CLAIM**

The ornamental design for a medical device handle, as shown and described.

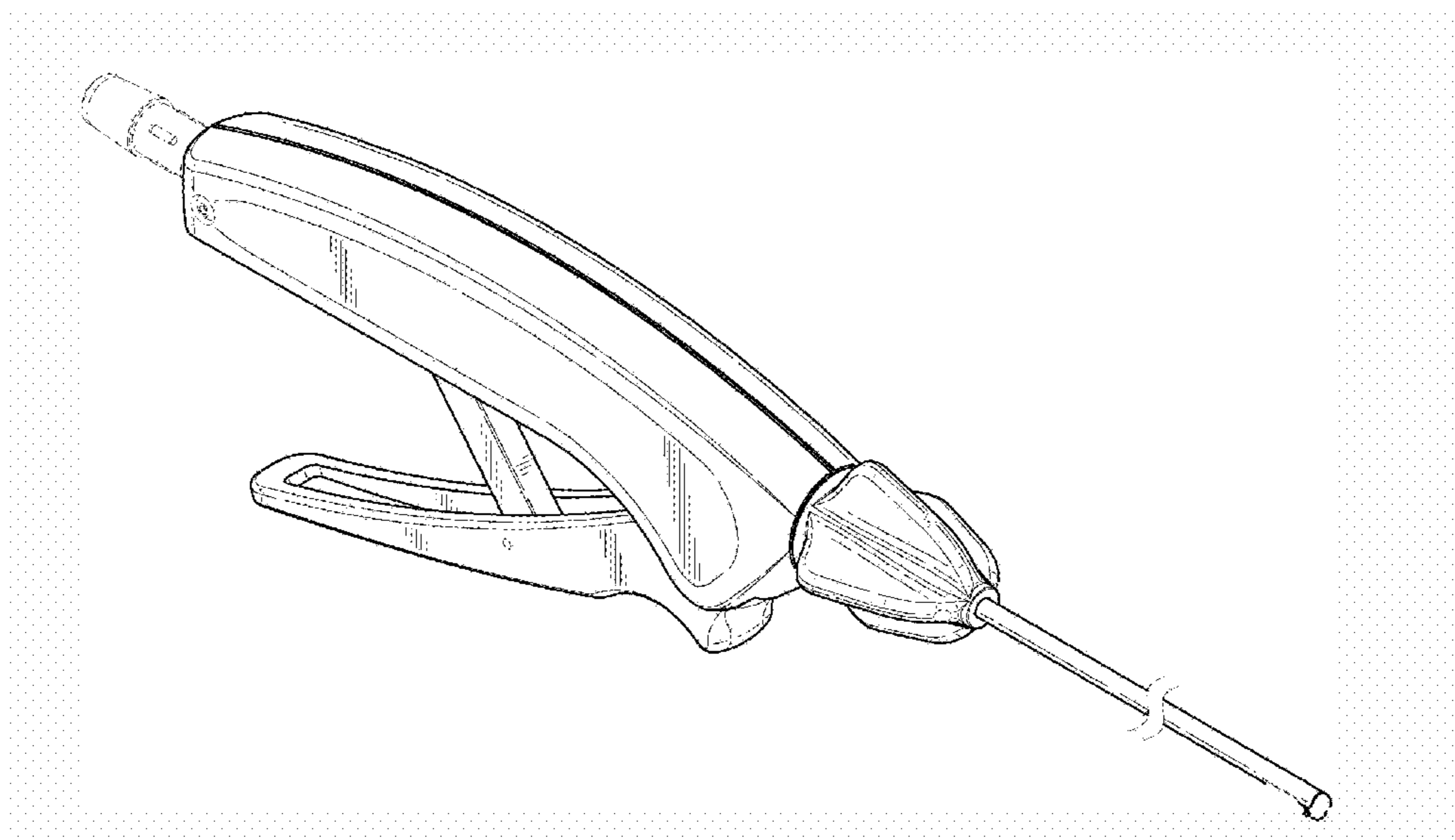
**DESCRIPTION**

FIG. 1 is a front, top, and side perspective view of a medical device handle embodying our new design.  
FIG. 2 is a left side view thereof.  
FIG. 3 is a right side view thereof.  
FIG. 4 is a front view thereof.  
FIG. 5 is a back view thereof.  
FIG. 6 is a top view thereof; and,  
FIG. 7 is a bottom view thereof.  
Broken lines are used to illustrate features of the medical device handle which form no part of the claimed design. Break lines are used to indicate that any portion of the medical device handle between the break lines forms no part of the claimed design.

**1 Claim, 7 Drawing Sheets**

(56) **References Cited**  
**U.S. PATENT DOCUMENTS**

3,882,849 A 5/1975 Jamshidi  
4,603,694 A 8/1986 Wheeler  
4,620,547 A 11/1986 Boebel  
4,651,753 A 3/1987 Lifton  
4,678,459 A 7/1987 Onik et al.  
4,811,734 A 3/1989 McGurk-Burleson et al.  
4,958,625 A 9/1990 Bates et al.  
4,961,430 A 10/1990 Sheahon  
5,061,238 A 10/1991 Shuler



(56)

References Cited

U.S. PATENT DOCUMENTS

5,423,844 A 6/1995 Miller  
 5,439,474 A 8/1995 Li  
 D364,463 S \* 11/1995 Pitzen ..... D24/146  
 5,486,182 A 1/1996 Nakao et al.  
 5,527,332 A 6/1996 Clement  
 5,601,583 A 2/1997 Donahue et al.  
 5,649,547 A 7/1997 Ritchart et al.  
 5,741,271 A 4/1998 Nakao et al.  
 5,741,287 A 4/1998 Alden et al.  
 5,746,747 A 5/1998 McKeating  
 5,759,187 A 6/1998 Nakao et al.  
 5,782,849 A 7/1998 Miller  
 5,797,907 A 8/1998 Clement  
 5,810,806 A 9/1998 Ritchart et al.  
 5,814,052 A 9/1998 Nakao et al.  
 5,871,454 A 2/1999 Majlessi  
 5,906,620 A 5/1999 Nakao et al.  
 5,993,454 A \* 11/1999 Longo ..... A61B 17/1624  
 606/80  
 5,997,547 A 12/1999 Nakao et al.  
 6,007,495 A 12/1999 Matula  
 6,022,362 A 2/2000 Lee et al.  
 6,068,603 A 5/2000 Suzuki  
 6,165,137 A 12/2000 Milliman et al.  
 6,171,315 B1 1/2001 Chu et al.  
 6,383,198 B1 5/2002 Hamilton  
 6,428,498 B2 8/2002 Uflacker  
 6,454,727 B1 9/2002 Burbank et al.  
 6,530,923 B1 3/2003 Dubrul et al.  
 6,616,659 B1 9/2003 de la Torre et al.  
 6,626,850 B1 9/2003 Chau et al.  
 6,638,235 B2 10/2003 Miller et al.  
 6,887,209 B2 5/2005 Kadziauskas et al.  
 6,960,172 B2 11/2005 McGuckin, Jr. et al.  
 7,115,125 B2 10/2006 Nakao et al.  
 D594,983 S \* 6/2009 Price ..... D24/133  
 D618,797 S \* 6/2010 Price ..... D24/133  
 D620,593 S \* 7/2010 Tran ..... D24/144  
 7,806,894 B1 10/2010 Rosenblatt et al.  
 7,854,706 B2 12/2010 Hibner  
 D631,965 S \* 2/2011 Price ..... D24/133  
 7,922,737 B1 4/2011 Cesarini et al.  
 7,988,642 B2 8/2011 Hardin et al.  
 8,202,229 B2 6/2012 Miller et al.  
 8,277,393 B2 10/2012 Miller et al.

8,292,909 B1 10/2012 DuBois et al.  
 8,298,254 B2 10/2012 DuBois et al.  
 D670,380 S \* 11/2012 Sapalev ..... D24/133  
 8,357,103 B2 1/2013 Mark et al.  
 8,430,825 B2 4/2013 Mark et al.  
 8,485,989 B2 7/2013 Videbaek  
 D687,549 S \* 8/2013 Johnson ..... D24/133  
 D700,966 S \* 3/2014 O'Leary ..... D24/146  
 8,690,793 B2 4/2014 Ranpura et al.  
 D709,194 S \* 7/2014 Miller ..... D24/143  
 8,790,276 B2 7/2014 Ritchart et al.  
 8,845,621 B2 9/2014 Fojtik  
 8,893,722 B2 11/2014 Emanuel  
 8,979,890 B2 \* 3/2015 Boudreaux ..... A61B 18/1445  
 606/207  
 9,060,760 B2 6/2015 Sullivan et al.  
 9,095,366 B2 8/2015 Sullivan et al.  
 D743,547 S \* 11/2015 Chang ..... D24/146  
 9,237,921 B2 \* 1/2016 Messerly ..... A61B 17/32006  
 9,339,288 B2 5/2016 Sullivan et al.  
 D759,237 S \* 6/2016 Heath ..... D24/133  
 D763,442 S \* 8/2016 Price ..... D24/133  
 D785,794 S \* 5/2017 Magno, Jr. .... D24/146  
 9,700,333 B2 \* 7/2017 Strobl ..... A61B 18/1445  
 9,707,012 B2 7/2017 Adams et al.  
 9,724,118 B2 \* 8/2017 Schulte ..... A61B 17/32006  
 D806,245 S \* 12/2017 Halbert ..... D24/133  
 9,848,902 B2 \* 12/2017 Price ..... A61B 17/32009  
 2002/0082519 A1 6/2002 Miller et al.  
 2002/0198467 A1 12/2002 Finer  
 2005/0182339 A1 8/2005 Lee et al.  
 2006/0144548 A1 7/2006 Beckman et al.  
 2007/0161925 A1 7/2007 Quick et al.  
 2008/0306406 A1 12/2008 Thompson et al.  
 2011/0087260 A1 4/2011 Seipel et al.  
 2012/0172889 A1 7/2012 Chin et al.  
 2013/0046316 A1 2/2013 Sullivan et al.  
 2013/0053759 A1 2/2013 McCawley  
 2013/0103041 A1 4/2013 Regadas  
 2013/0211321 A1 8/2013 Dubois et al.  
 2015/0025541 A1 1/2015 Furlong et al.  
 2015/0064165 A1 3/2015 Perry et al.  
 2015/0141809 A1 5/2015 Costello et al.  
 2015/0148836 A1 5/2015 Heeren  
 2015/0238171 A1 8/2015 Shabaz  
 2015/0335485 A1 11/2015 Rieger et al.  
 2016/0095615 A1 4/2016 Orczy-Timko et al.

\* cited by examiner

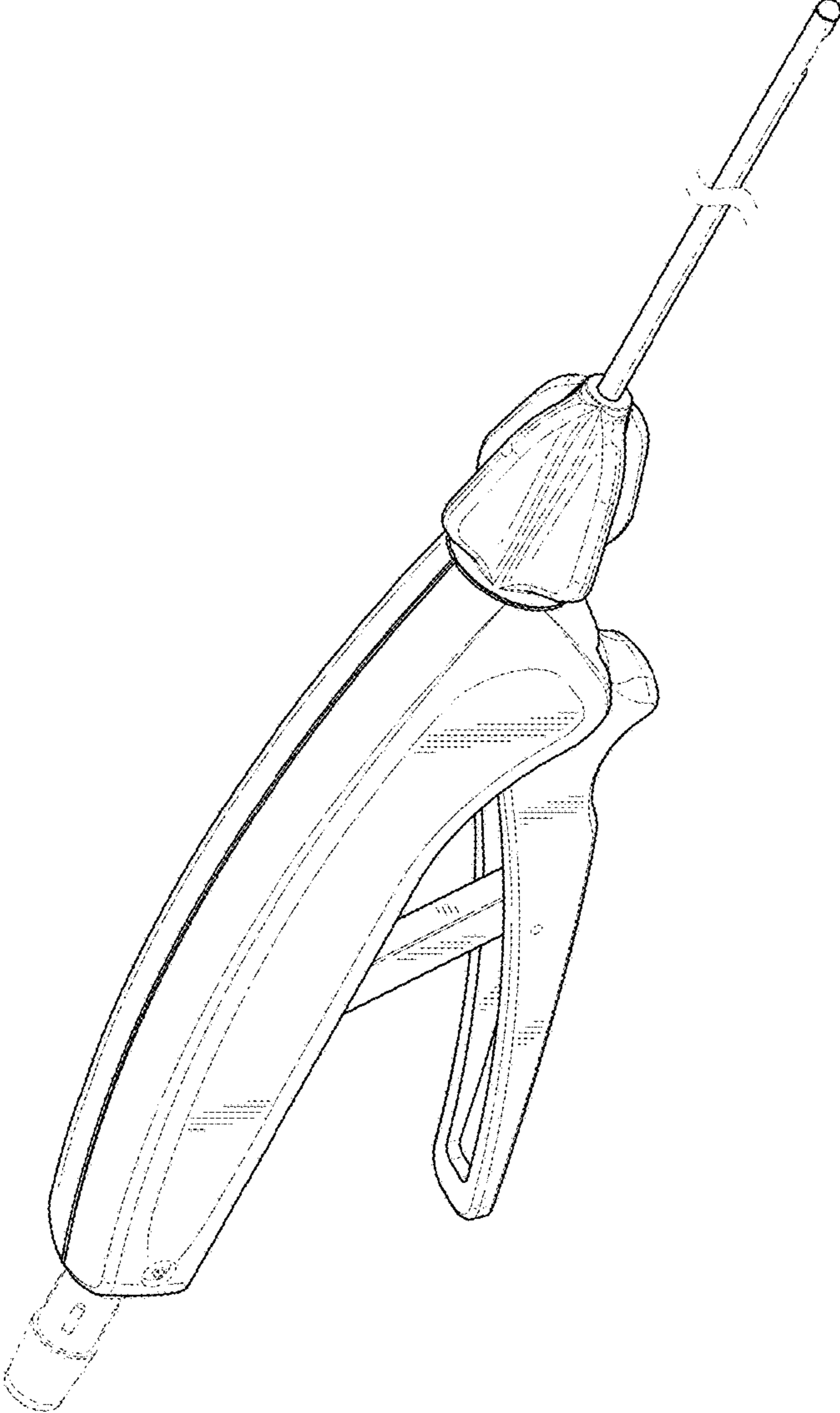


FIG. 1

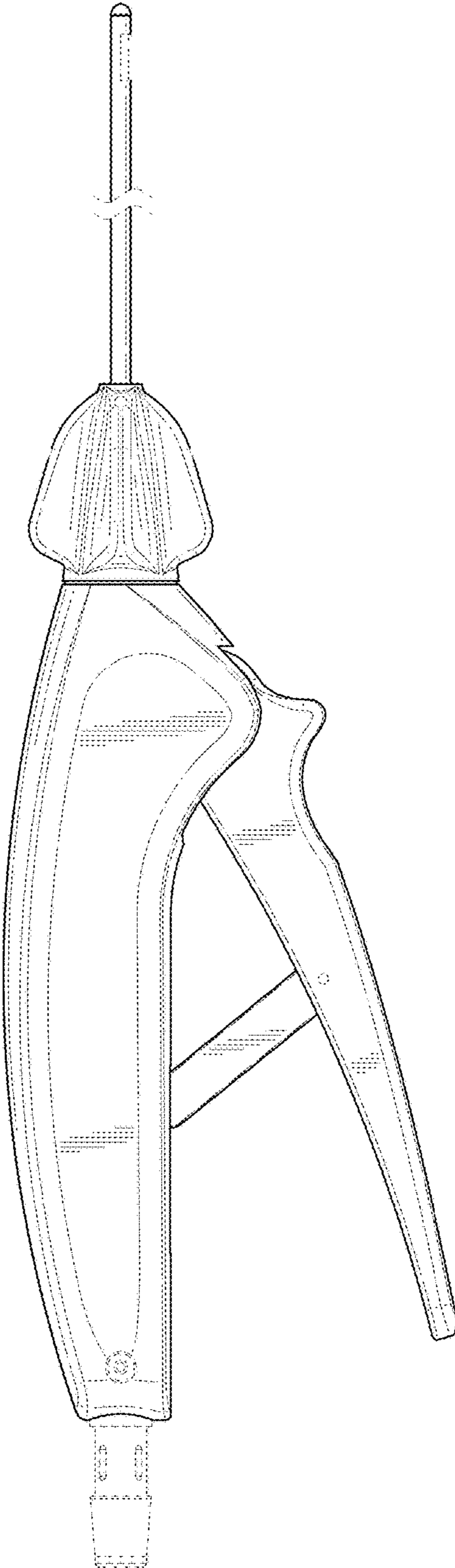


FIG. 2

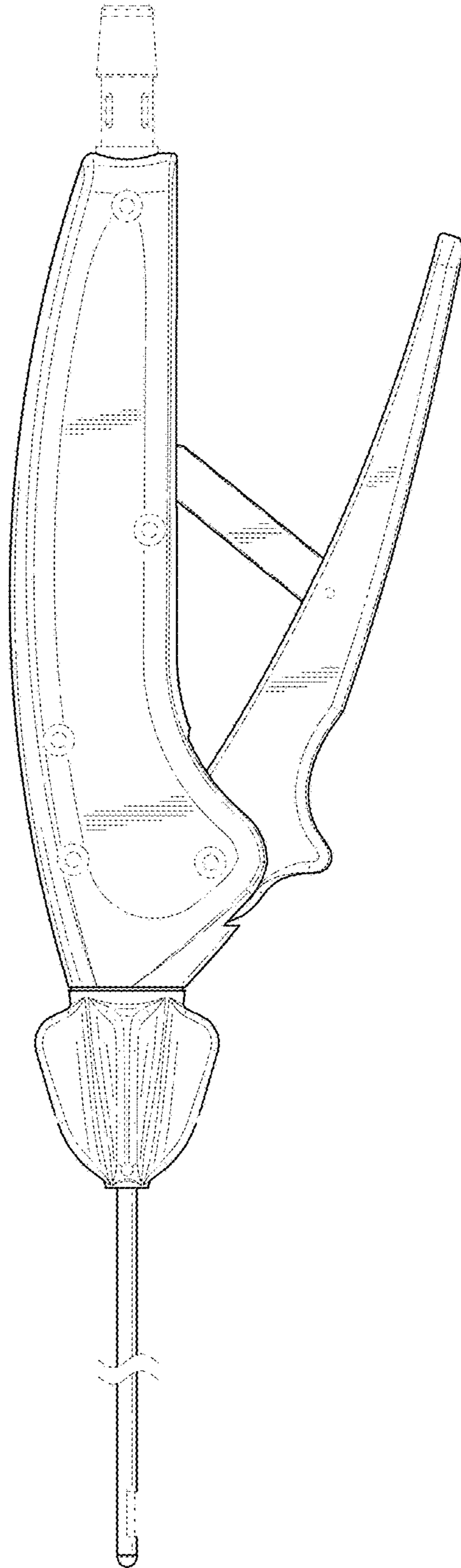


FIG. 3

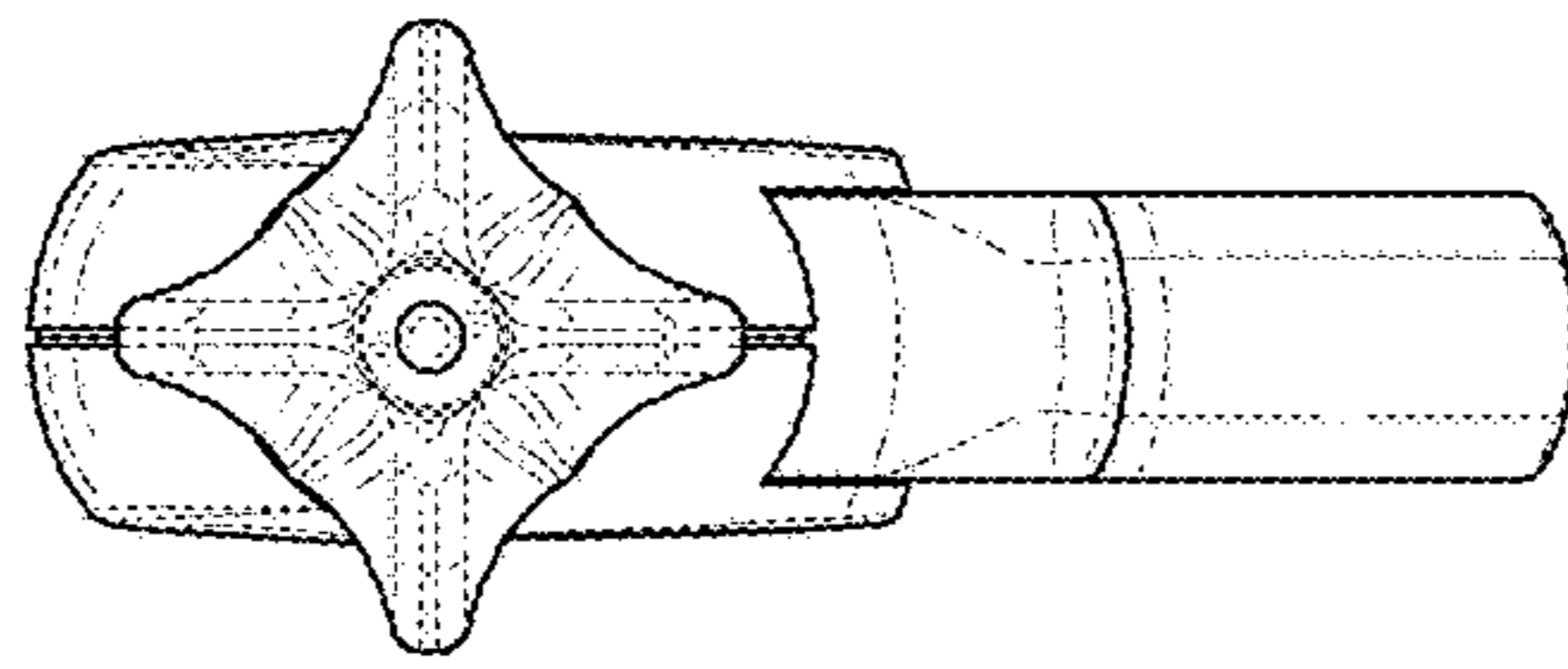


FIG. 4

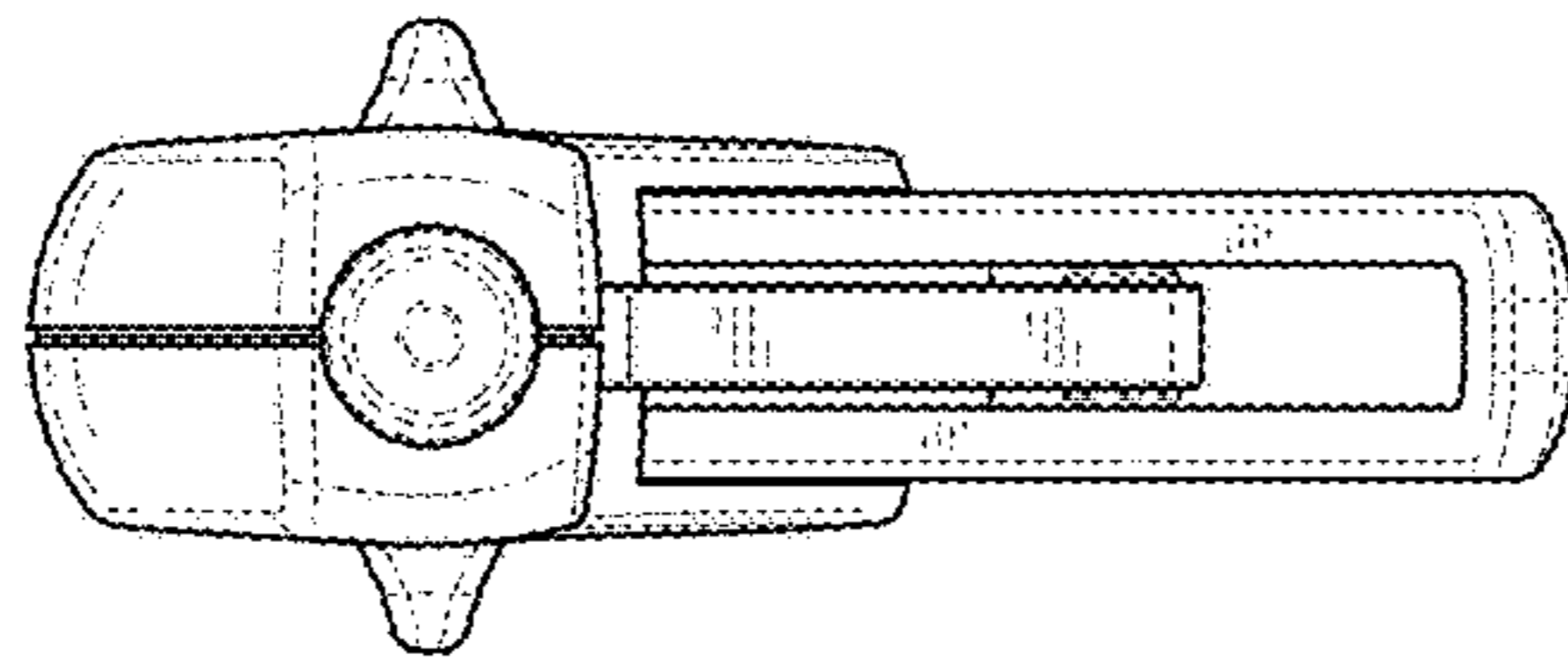


FIG. 5

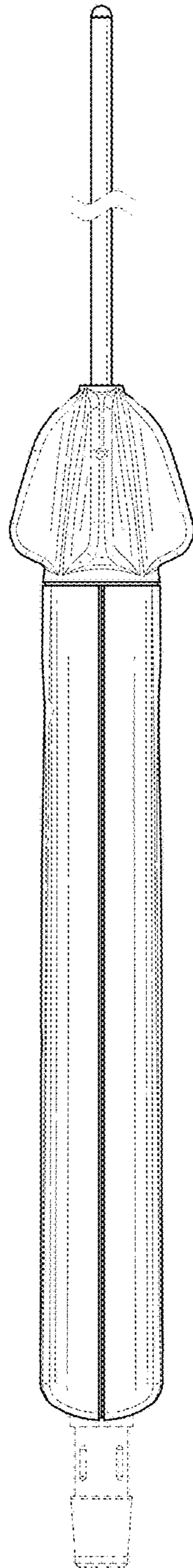


FIG. 6



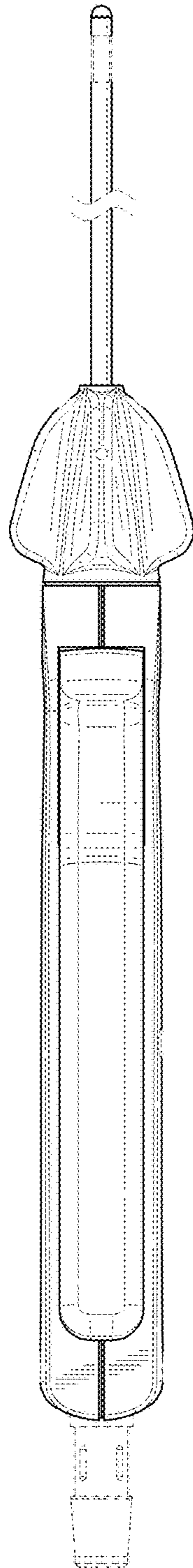


FIG. 7