



US00D847987S

(12) **United States Design Patent**
Di Sessa et al.

(10) **Patent No.:** **US D847,987 S**

(45) **Date of Patent:** **** May 7, 2019**

(54) **LASER DELIVERY DEVICE**

(71) Applicant: **Azena Medical, LLC**, Walnut Creek, CA (US)

(72) Inventors: **Alexandre B. Di Sessa**, Walnut Creek, CA (US); **Kenneth Lester Blanchard**, Vacaville, CA (US)

(73) Assignee: **Azena Medical, LLC**, Walnut Creek, CA (US)

(**) Term: **15 Years**

(21) Appl. No.: **29/585,061**

(22) Filed: **Nov. 19, 2016**

(51) **LOC (11) Cl.** **24-02**

(52) **U.S. Cl.**
USPC **D24/144**

(58) **Field of Classification Search**
USPC D24/144, 146, 133, 107, 112, 130, D24/185-186, 152; D14/341, 485
CPC A61B 18/20; A61B 18/201; A61B 18/22; A61B 2018/202; A61B 2017/00199; A61C 1/0046; A61C 1/07; A61C 17/20
See application file for complete search history.

(56) **References Cited**

U.S. PATENT DOCUMENTS

D232,325 S *	8/1974	Durden, III	D24/144
D246,189 S *	10/1977	Smith	D24/144
6,129,721 A *	10/2000	Kataoka	A61B 18/22 606/16
6,829,427 B1 *	12/2004	Becker	A61B 18/22 250/227.28
7,695,469 B2 *	4/2010	Boutoussov	A61B 18/22 606/13

D660,965 S *	5/2012	Waclawik	D24/152
8,277,442 B2 *	10/2012	Di Sessa	A61B 18/22 606/1
2010/0106146 A1 *	4/2010	Boitor	A61B 18/22 606/15
2017/0148378 A1 *	5/2017	Di Sessa	A61B 18/22

OTHER PUBLICATIONS

Notice of Allowance dated Sep. 26, 2018 for U.S. Appl. No. 29/585,062.

Notice of Allowance dated Oct. 11, 2018 for U.S. Appl. No. 29/585,060.

* cited by examiner

Primary Examiner — Wan Laymon

(74) *Attorney, Agent, or Firm* — Stoel Rives LLP

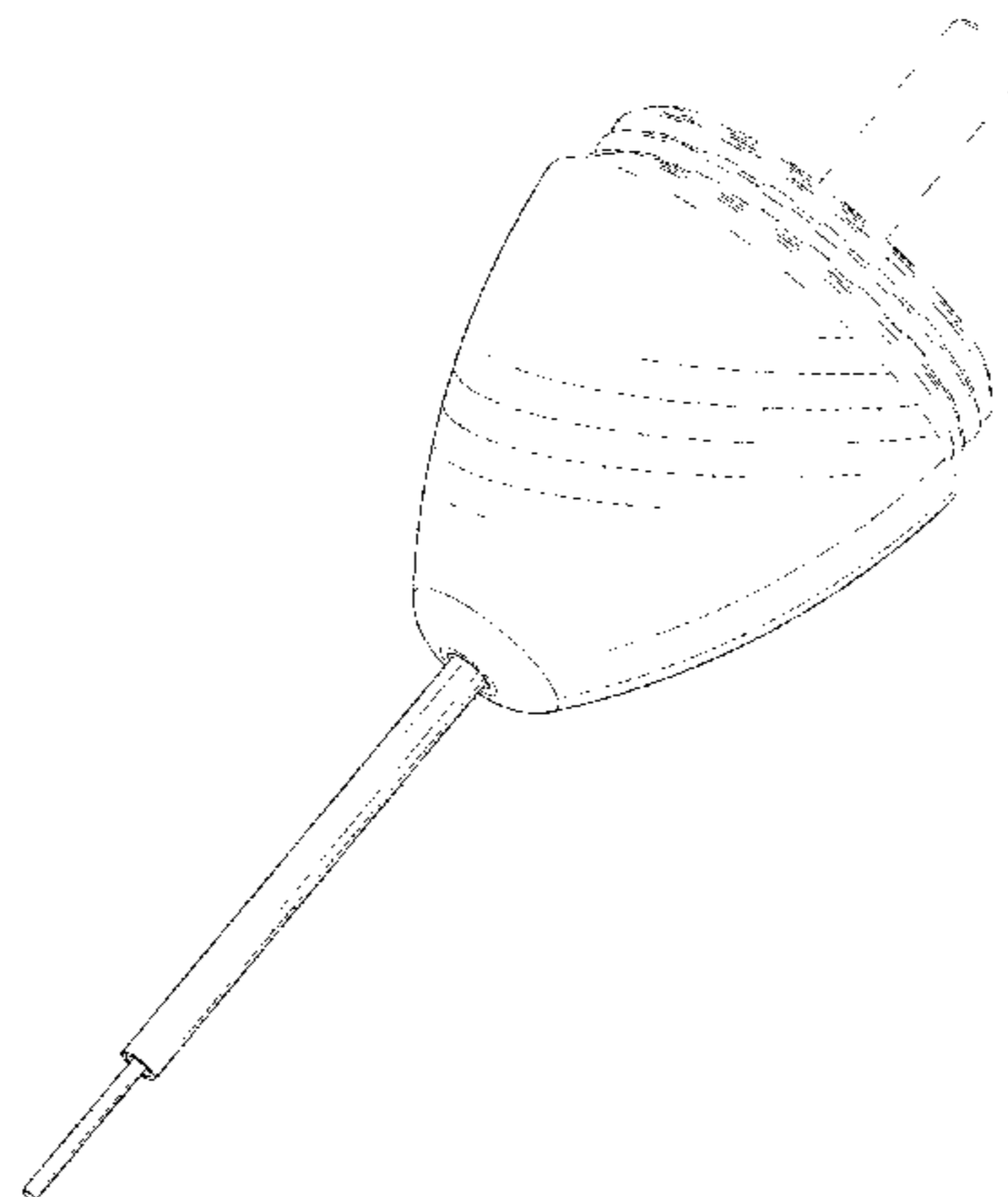
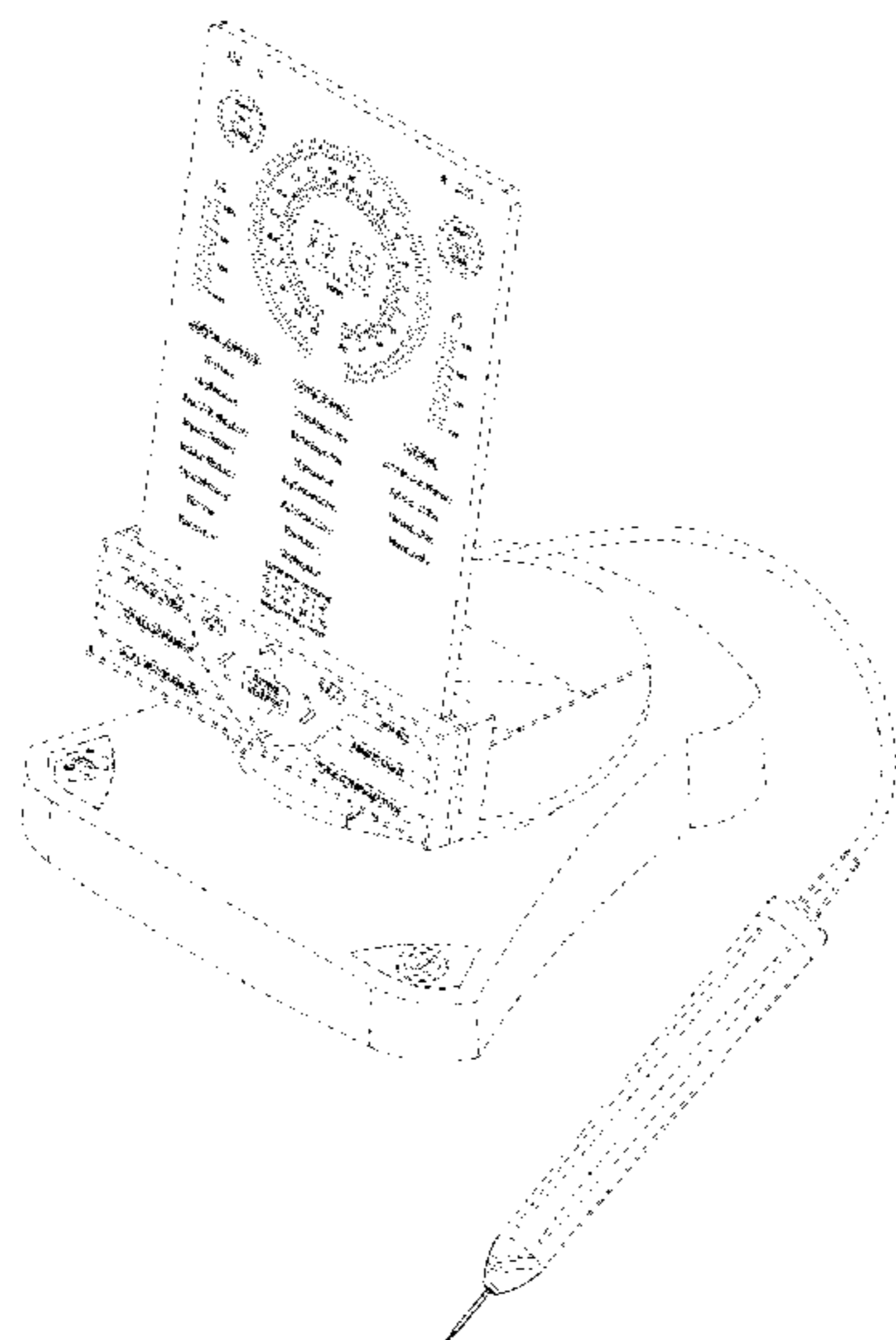
(57) **CLAIM**

The ornamental design for a laser delivery device, as shown and described.

DESCRIPTION

FIG. 1 is a perspective view of a laser delivery device showing our new design; FIG. 2 is another perspective view thereof; FIG. 3 is a front elevation view thereof; and, FIG. 4 is a left elevation view thereof; due to symmetry about a longitudinal axis, each of the right elevation and bottom plan views is a mirror image of the present view, as flipped across the vertical axis, and the top plan view is identical to the present view.

1 Claim, 4 Drawing Sheets



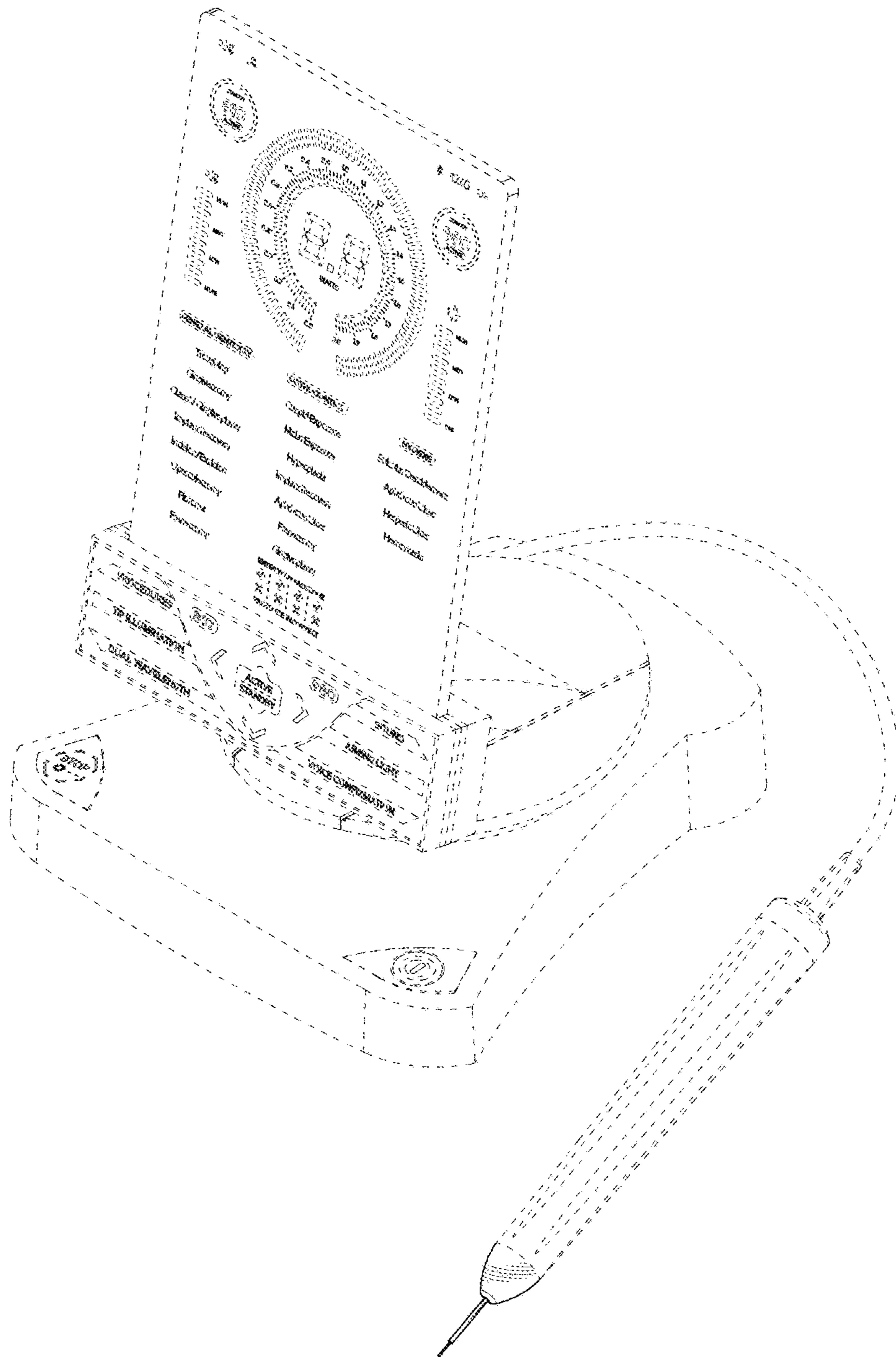


FIG. 1

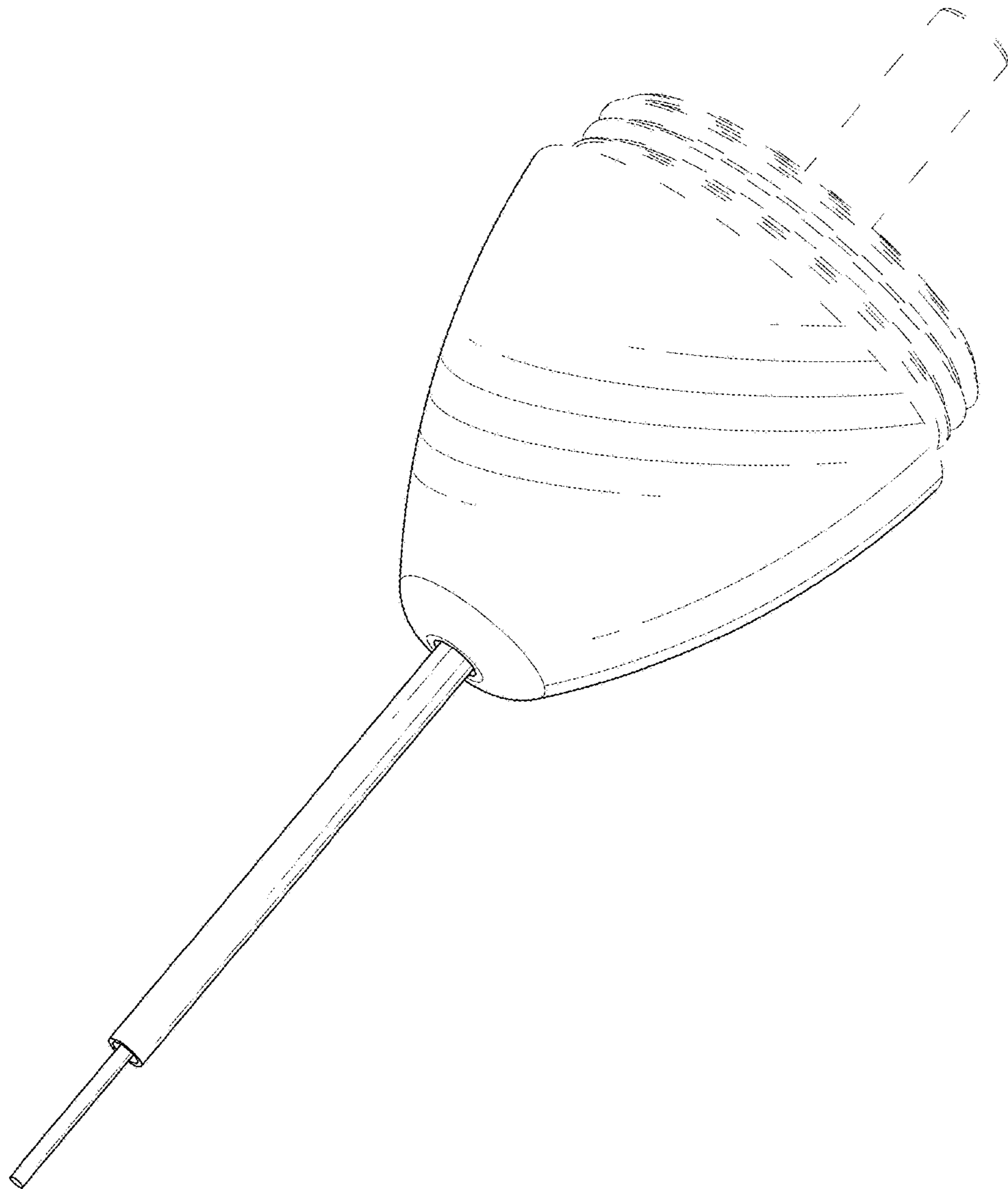


FIG. 2

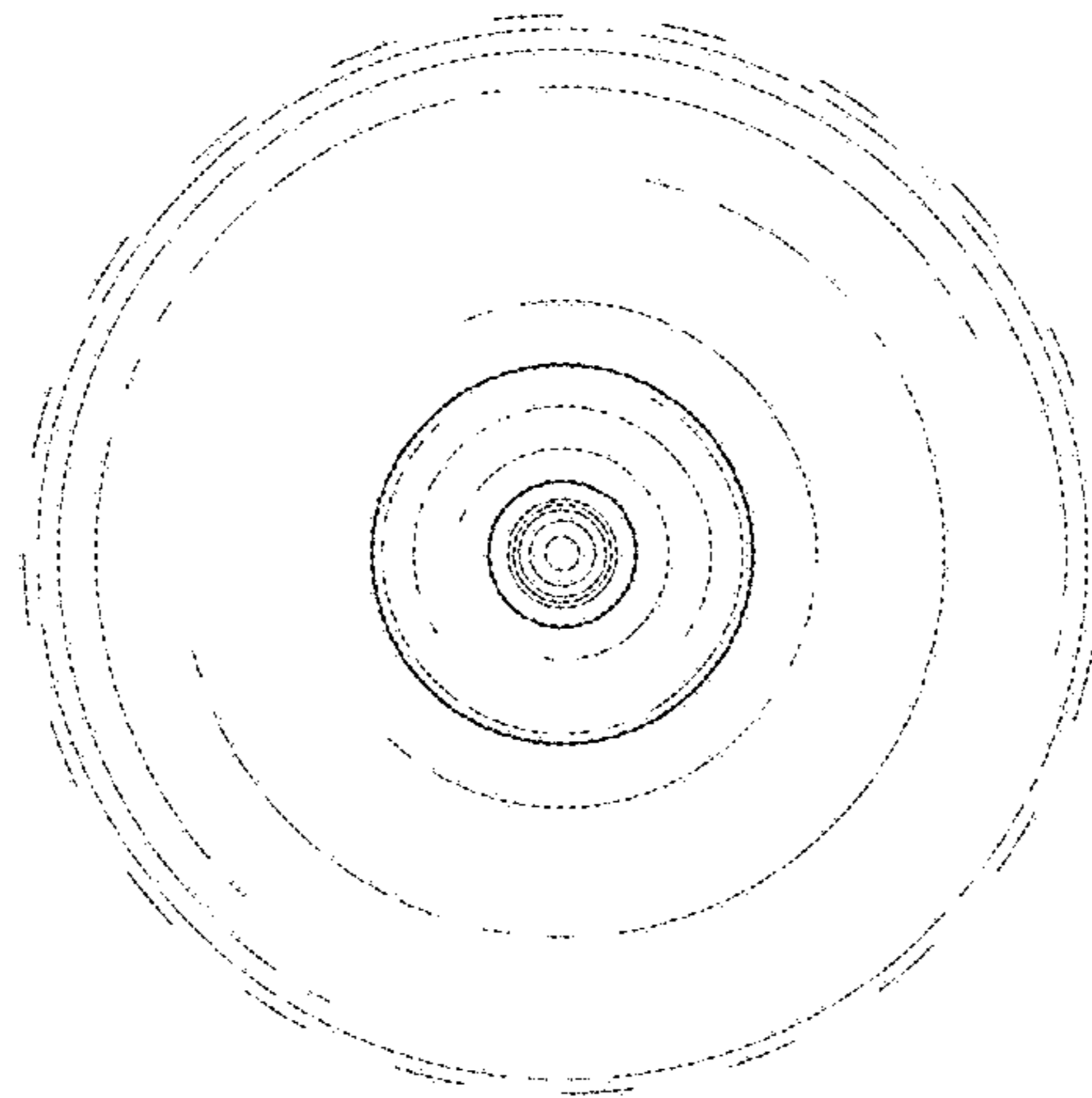


FIG. 3

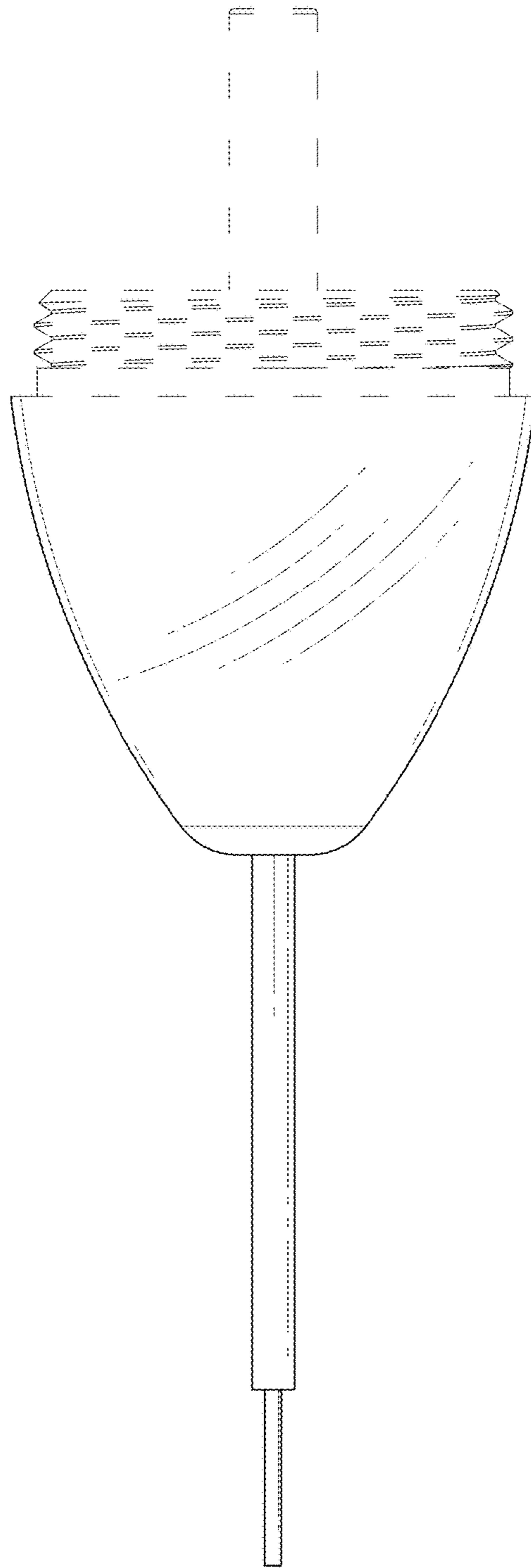


FIG. 4