



US00D847986S

(12) **United States Design Patent**
Shan

(10) **Patent No.:** **US D847,986 S**

(45) **Date of Patent:** **** May 7, 2019**

(54) **STETHOSCOPE HEAD**

(71) Applicant: **WUXI KAISHUN MEDICAL
DEVICE MANUFACTURING CO.,
LTD.**, Wuxi, Jiangsu (CN)

(72) Inventor: **Xijie Shan**, Wuxi (CN)

(73) Assignee: **Wuxi Kaishun Medical Device
Manufacturing Co., Ltd**, Jiangsu (CN)

(**) Term: **15 Years**

(21) Appl. No.: **29/646,870**

(22) Filed: **May 8, 2018**

Related U.S. Application Data

(62) Division of application No. 29/589,202, filed on Dec. 29, 2016.

(30) **Foreign Application Priority Data**

Dec. 2, 2016 (CN) 2016 3 0588789

(51) **LOC (11) Cl.** **24-02**

(52) **U.S. Cl.**
USPC **D24/134**

(58) **Field of Classification Search**
USPC D8/134, 133, 137, 173, 174, 187, 200;
600/200, 204, 205; 381/67, 328, 331;
181/67, 130, 135, 137
CPC A61B 7/00; A61B 5/00; A61B 5/7278;
A61B 5/0207; A61B 7/003; A61B 7/026;
A61B 7/04
See application file for complete search history.

(56) **References Cited**

U.S. PATENT DOCUMENTS

3,339,667 A * 9/1967 Speelman A61B 5/02233
181/137
4,212,368 A * 7/1980 Allen A61B 7/026
181/131

D256,951 S * 9/1980 Allen D13/101
D277,890 S * 3/1985 Loughridge D24/134
D338,269 S * 8/1993 Dufresne D24/134
D373,824 S * 9/1996 Packard D24/134
D389,575 S * 1/1998 Grasfield D24/134
D394,314 S * 5/1998 Moore D24/134
D403,065 S * 12/1998 Dieken D24/134
D432,238 S * 10/2000 Packard D24/134
D452,736 S * 1/2002 Werblud D24/134
D463,551 S * 9/2002 Werblud D24/134
6,523,639 B1 * 2/2003 Shieh A61B 7/02
181/131
D477,405 S * 7/2003 Sommerfeld D24/134
D487,928 S * 3/2004 Drummond D24/134

(Continued)

Primary Examiner — Ian Simmons

Assistant Examiner — Yolanda Robinson

(74) *Attorney, Agent, or Firm* — Bond Schoeneck &
King, PLLC; George McGuire

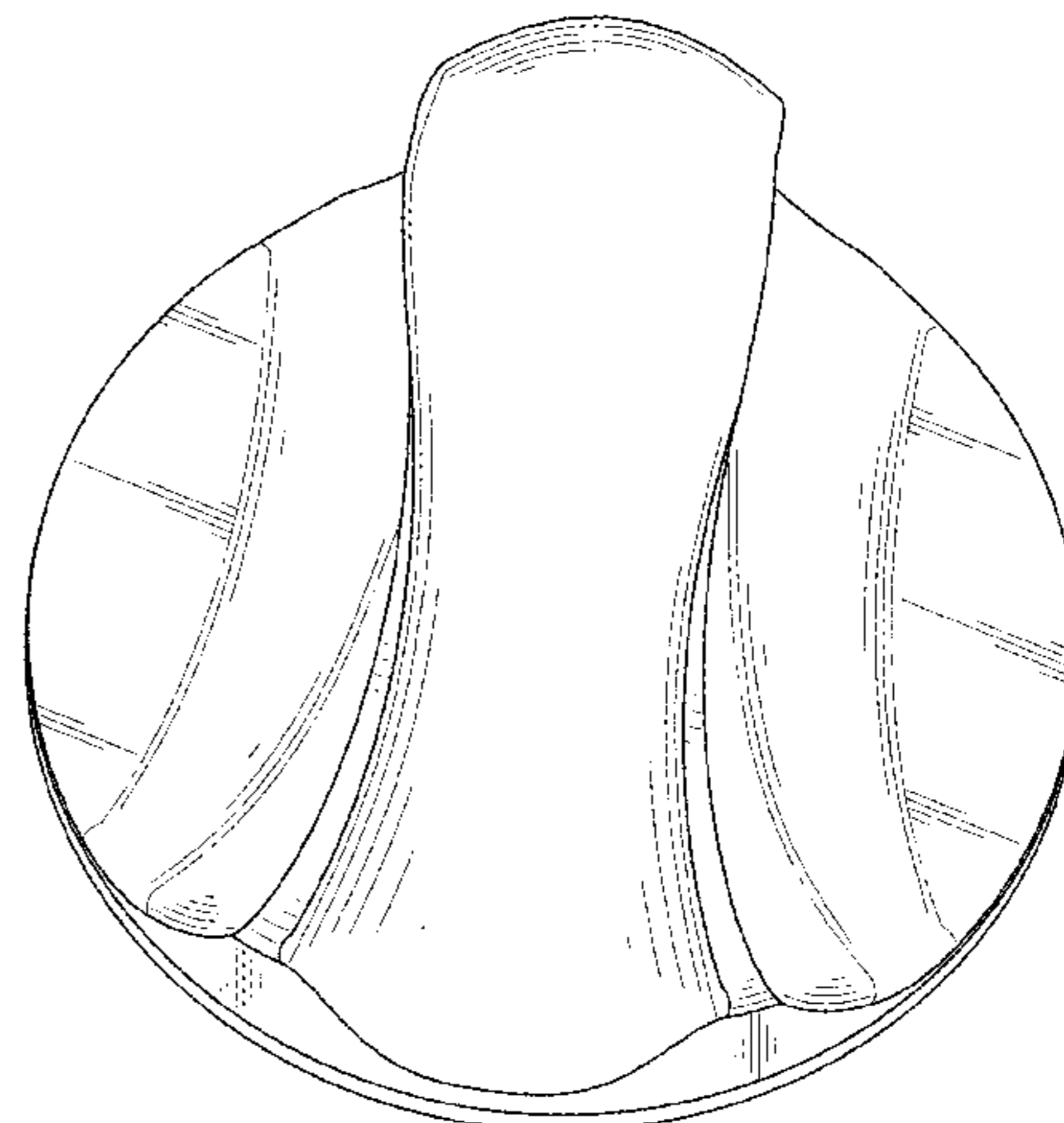
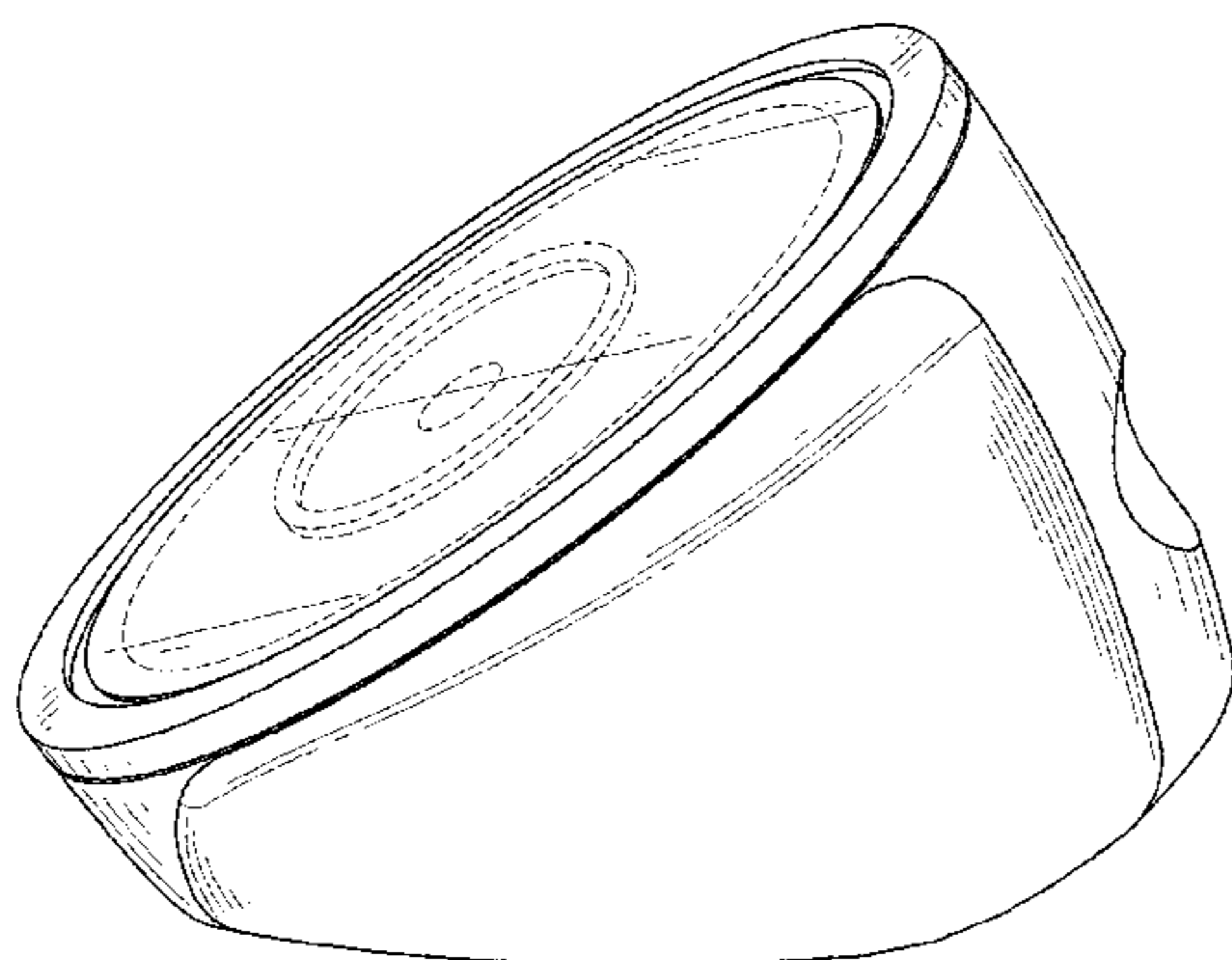
(57) **CLAIM**

The ornamental design for a a stethoscope head, as shown and described.

DESCRIPTION

FIG. 1 is a rear perspective view of an embodiment for a new and ornamental design for a stethoscope head;
FIG. 2 is an upper perspective view thereof;
FIG. 3 is a front elevation view thereof;
FIG. 4 is a rear elevation view thereof;
FIG. 5 is a left side elevation view thereof, the right side elevation being a mirror image;
FIG. 6 is a top plan view thereof; and,
FIG. 7 is a bottom plan view thereof.
The portions in the drawings shown in phantom are for environment only and form no part of the claimed invention.

1 Claim, 7 Drawing Sheets



(56)

References Cited

U.S. PATENT DOCUMENTS

6,725,966 B2 * 4/2004 Drummond A61B 7/02
181/131
D583,940 S * 12/2008 Wong D24/134
D625,804 S * 10/2010 Sternberger D24/134
D682,424 S * 5/2013 Hasbun A61B 9/00
D24/134
D713,824 S * 9/2014 Griffin D14/225
D750,241 S * 2/2016 Shan D24/134
D752,216 S * 3/2016 Chong D24/134
2007/0154024 A1 * 7/2007 Grasfield A61B 7/04
381/67
2008/0037800 A1 * 2/2008 Grasfield A61B 7/04
381/67
2008/0232605 A1 * 9/2008 Bagha A61B 7/04
381/67
2010/0189276 A1 * 7/2010 Andersen A61B 5/6843
381/67
2011/0222697 A1 * 9/2011 Dong A61B 7/026
381/67

* cited by examiner

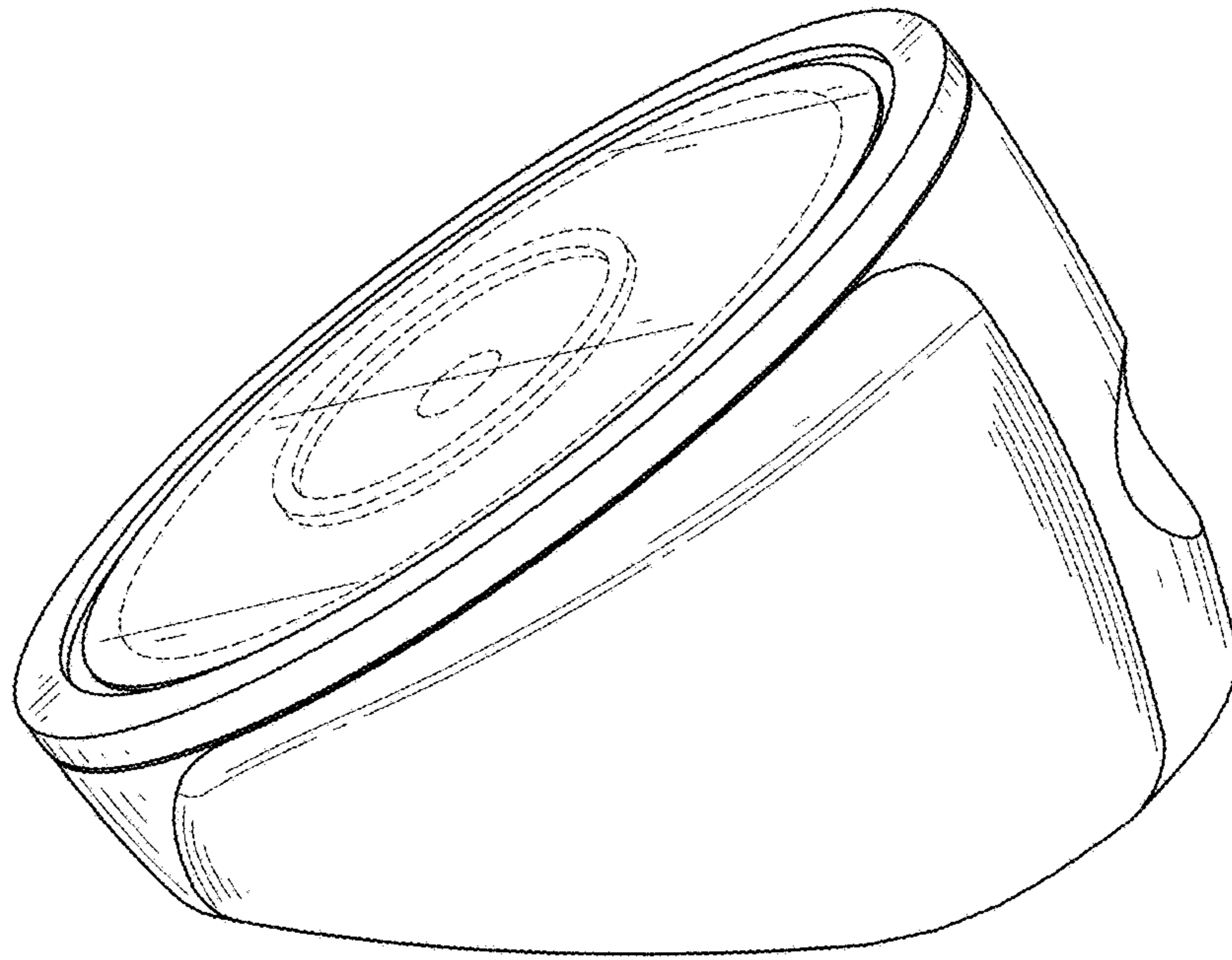


FIG. 1

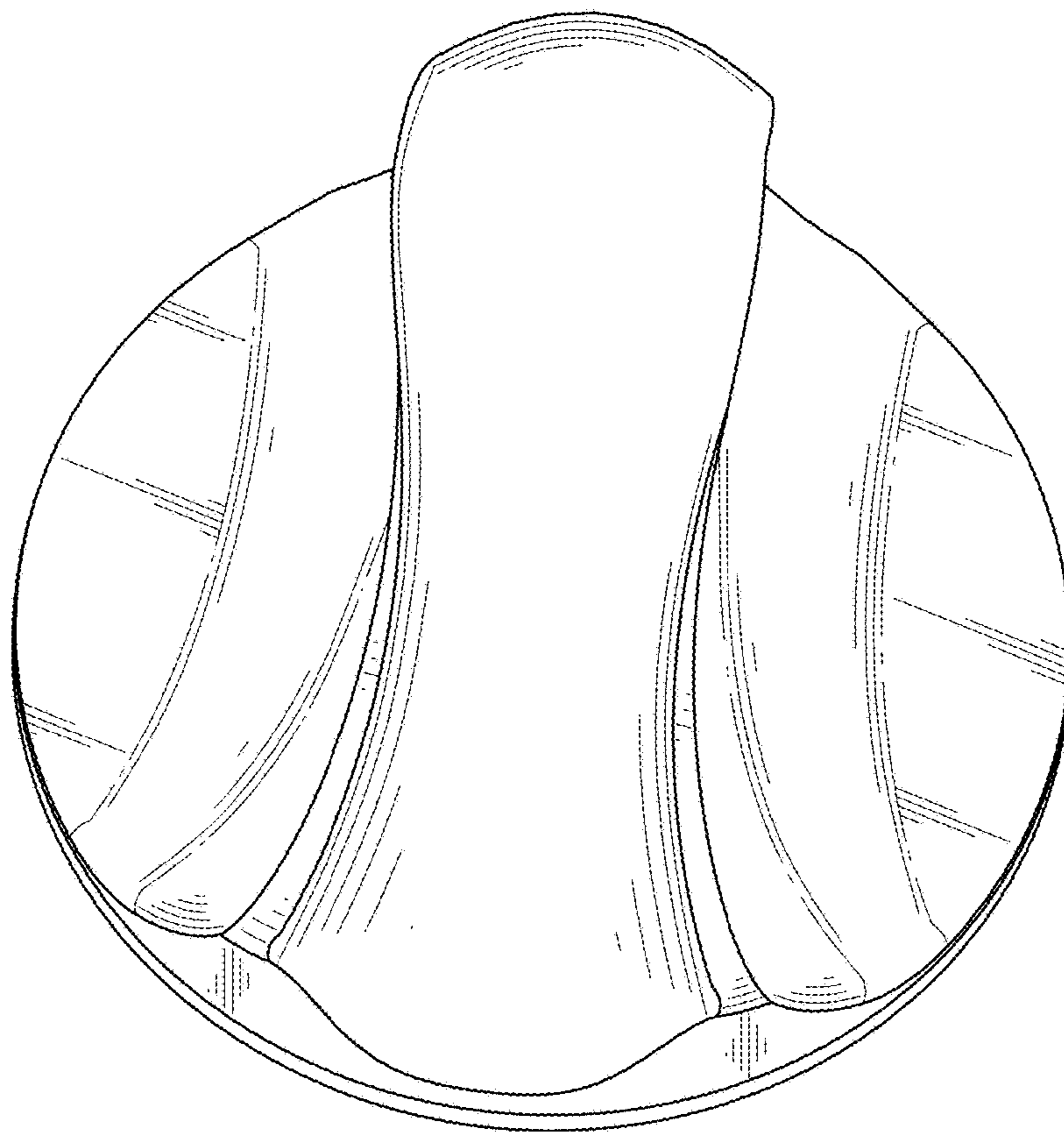


FIG. 2

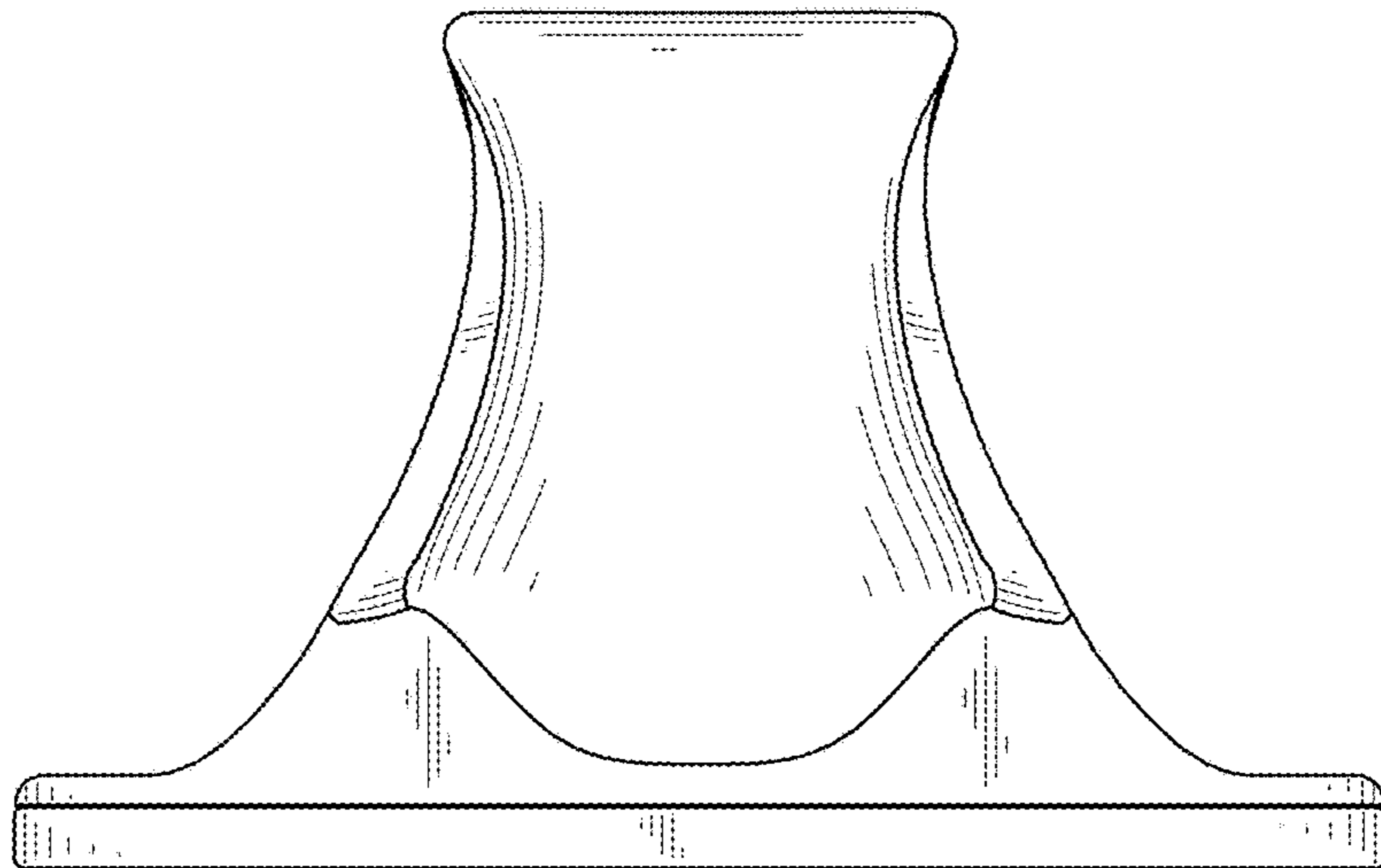


FIG. 3

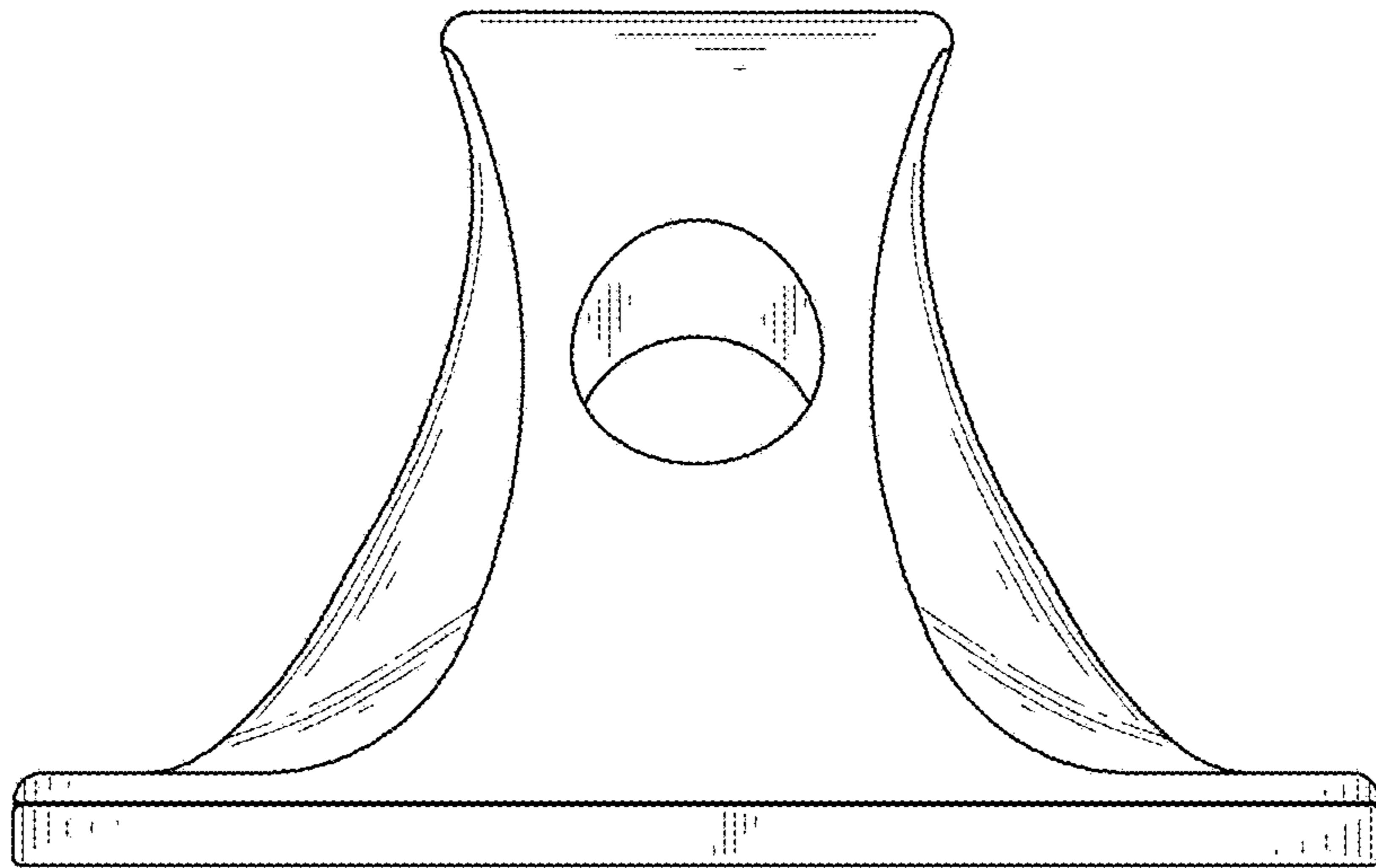


FIG. 4

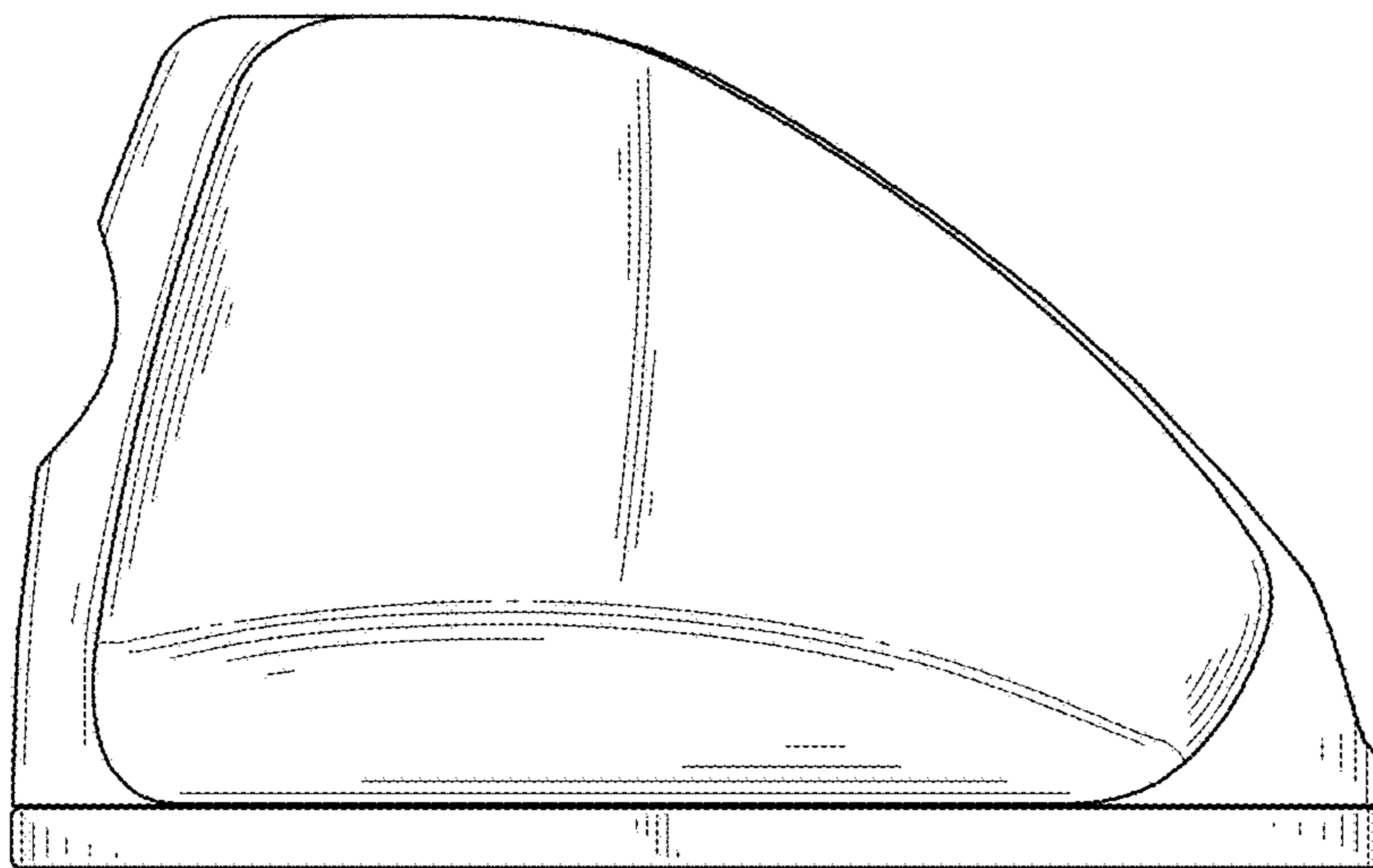


FIG. 5

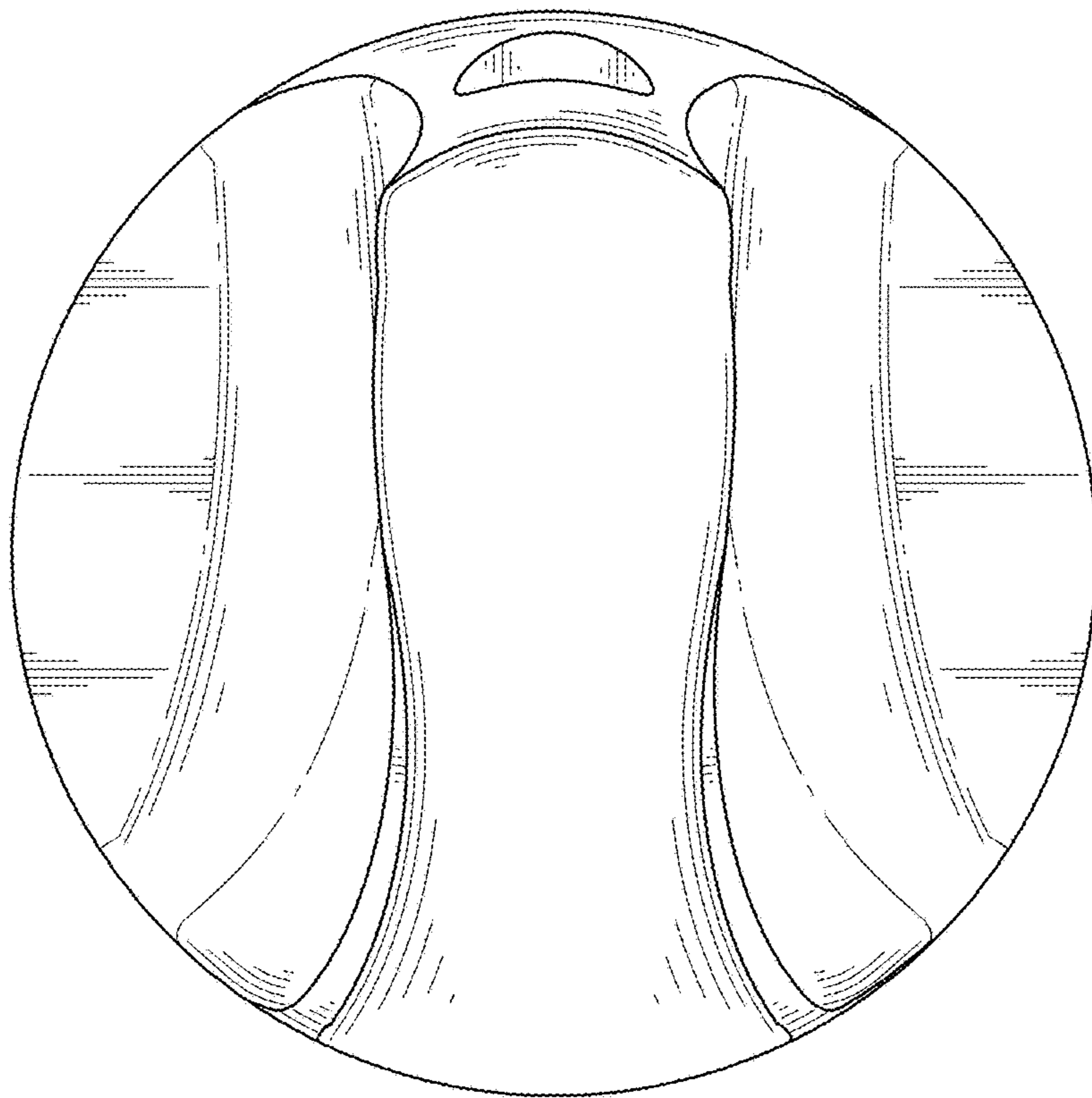


FIG. 6

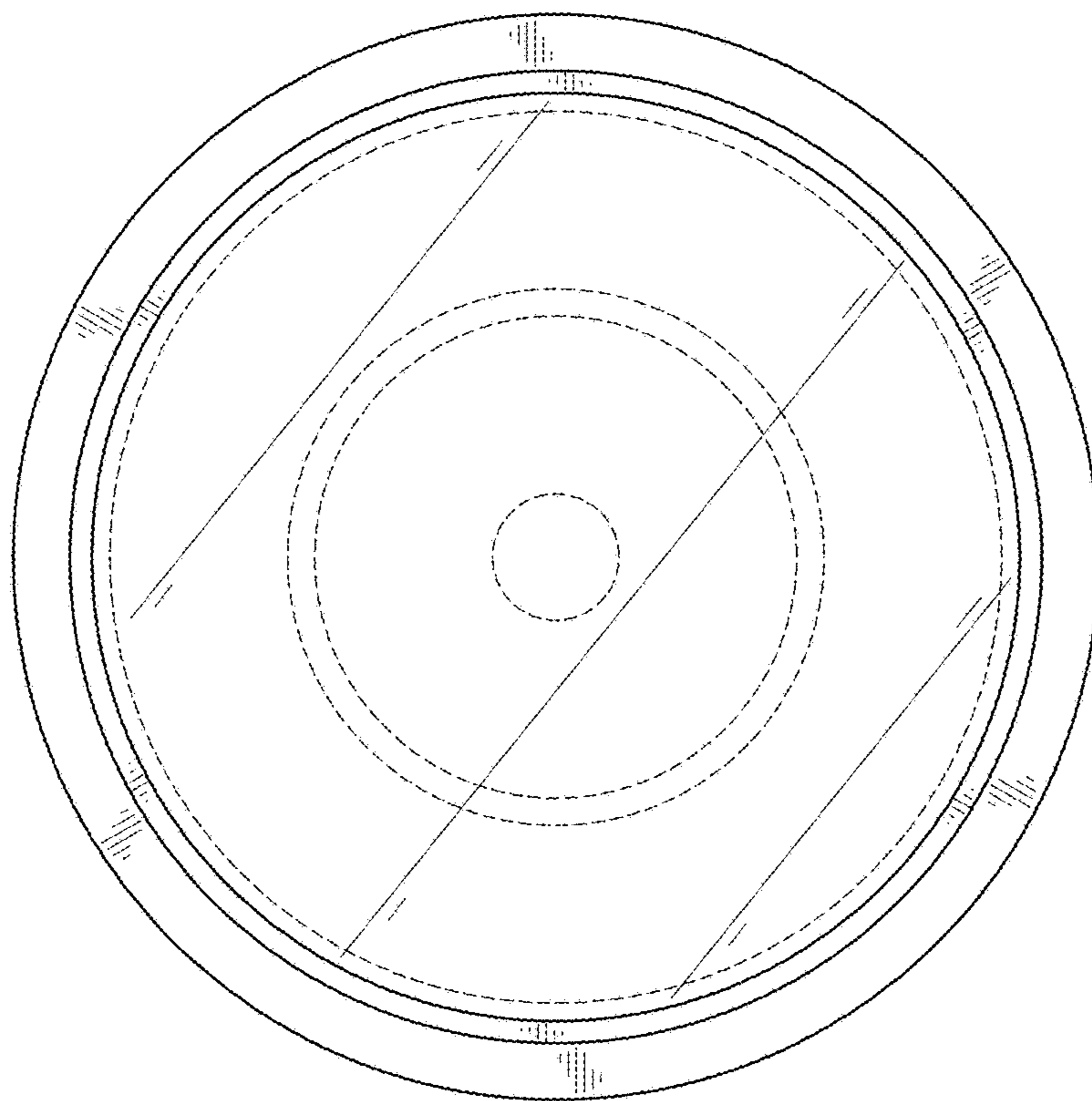


FIG. 7