

US00D847985S

(12) **United States Design Patent**
Neff et al.

(10) **Patent No.:** **US D847,985 S**

(45) **Date of Patent:** **** May 7, 2019**

- (54) **SYRINGE PLUNGER COVER**
- (71) Applicant: **BAYER HEALTHCARE LLC**,
Whippany, NJ (US)
- (72) Inventors: **Jared E. Neff**, New Kensington, PA
(US); **Michael J. Swantner**,
Saxonburg, PA (US); **Michael**
McDermott, Pittsburgh, PA (US);
Kevin P. Cowan, Allison Park, PA
(US); **Michael A. Spohn**, Fenelton, PA
(US); **Herb M. Grubic**, Pittsburgh, PA
(US)

1,988,480 A	1/1935	Campkin
2,392,196 A	1/1946	Smith
2,419,401 A	4/1947	Hinds
2,702,547 A	2/1955	Glass
2,842,126 A	7/1958	Brown
3,051,173 A	8/1962	Johnson et al.
D203,730 S	2/1966	Porat
3,270,483 A	9/1966	Smoyer et al.
3,348,545 A	10/1967	Sarnoff et al.
3,468,471 A	9/1969	Linder
3,604,417 A	9/1971	Stolzenbert
3,623,474 A	11/1971	Heilman
3,645,262 A	2/1972	Harrigan
3,701,345 A	10/1972	Heilman
3,705,582 A	12/1972	Stumpf et al.
3,719,306 A *	3/1973	Holtzman B65D 77/26 220/578

- (73) Assignee: **Bayer HealthCare LLC**, Whippany, NJ
(US)

3,720,211 A	3/1973	Kyrias
3,738,539 A	6/1973	Beich
3,752,145 A	8/1973	Runnells et al.
3,796,218 A	3/1974	Burke et al.
3,812,843 A	5/1974	Wootten et al.
3,902,491 A	9/1975	Lajus
3,964,139 A	6/1976	Kleinmann et al.
3,987,940 A	10/1976	Tischlinger
3,998,224 A	12/1976	Chiquiar-Arias
4,006,736 A	2/1977	Kranys et al.
4,030,498 A	6/1977	Tompkins
4,080,967 A	3/1978	O'Leary
4,144,885 A *	3/1979	Stait A61M 5/31511 604/218

(**) Term: **15 Years**

(21) Appl. No.: **29/607,024**

(22) Filed: **Jun. 9, 2017**

Related U.S. Application Data

- (60) Continuation-in-part of application No. 14/576,354,
filed on Dec. 19, 2014, now Pat. No. 9,855,390,
which is a division of application No. 11/686,000,
filed on Mar. 14, 2007, now Pat. No. 8,926,569, and
application No. 15/249,667, Aug. 29, 2016.

(51) **LOC (11) Cl.** **24-01**

(52) **U.S. Cl.**
USPC **D24/130**

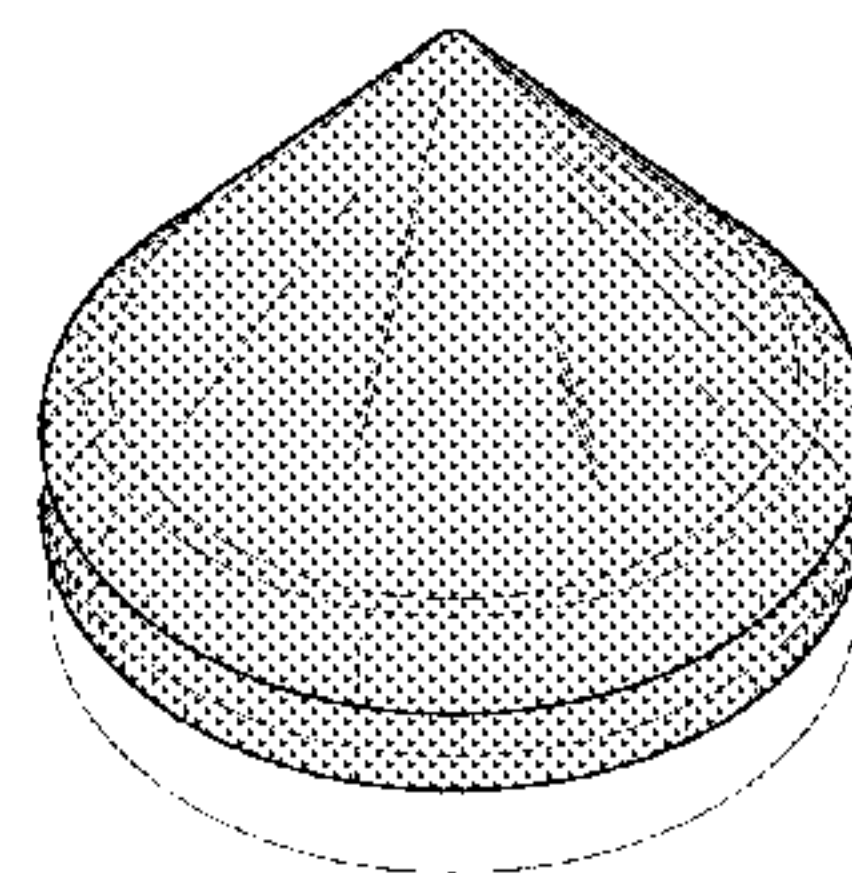
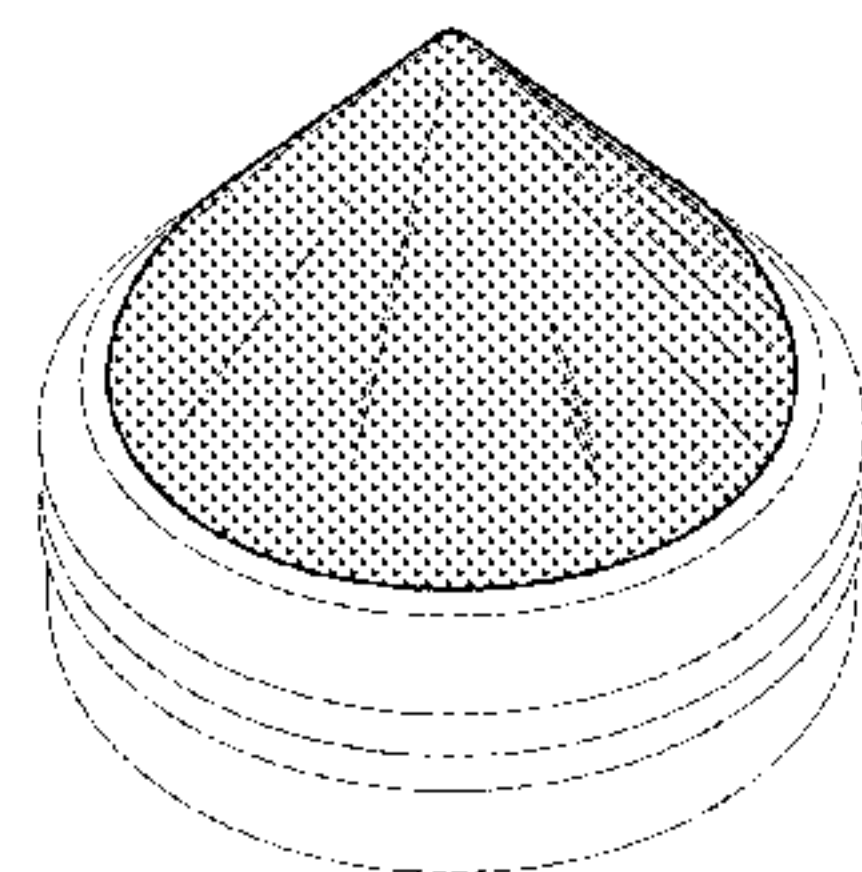
- (58) **Field of Classification Search**
USPC D24/127-131, 133, 112-114
CPC A61M 5/315; A61M 5/31511; A61M
5/31513; A61M 5/31515
See application file for complete search history.

4,148,316 A	4/1979	Xanthopoulos
4,155,490 A	5/1979	Glenn
4,159,713 A	7/1979	Prais
4,180,006 A	12/1979	Ross
4,180,069 A	12/1979	Walters
4,226,236 A	10/1980	Genese
4,252,118 A	2/1981	Richard et al.
4,278,086 A	7/1981	Hodgins et al.
4,303,070 A	12/1981	Ichikawa et al.
4,345,595 A	8/1982	Whitney et al.
4,351,332 A	9/1982	Whitney et al.
4,356,822 A	11/1982	Winstead-Hall
4,424,720 A	1/1984	Bucchianeri
4,452,251 A	6/1984	Heilman
4,453,934 A	6/1984	Gaehwiler et al.
4,464,265 A	8/1984	Joyner
4,465,472 A	8/1984	Urbaniak
4,465,473 A	8/1984	Rueegg
4,475,666 A	10/1984	Bilbrey et al.
4,476,381 A	10/1984	Rubin
4,490,256 A	12/1984	Nussbaumer et al.
4,493,646 A	1/1985	Lacour et al.

(56) **References Cited**

U.S. PATENT DOCUMENTS

1,265,537 A	5/1918	Ivan
1,687,323 A	10/1928	Cook
1,950,137 A	3/1934	Dowe



US D847,985 S

4,500,310 A	2/1985	Christinger		5,176,642 A	1/1993	Clement	
4,529,401 A	7/1985	Leslie et al.		5,181,912 A	1/1993	Hammett	
4,562,844 A	1/1986	Carpenter et al.		5,226,897 A	7/1993	Nevens et al.	
4,568,335 A	2/1986	Updike et al.		5,236,416 A	8/1993	McDaniel et al.	
4,573,978 A	3/1986	Reilly		5,242,408 A	9/1993	Jhuboo et al.	
4,585,439 A	4/1986	Michel		5,246,423 A	9/1993	Farkas	
4,604,847 A	8/1986	Moulding, Jr. et al.		5,254,086 A	10/1993	Palmer et al.	
4,612,010 A	9/1986	Hamacher et al.		5,254,101 A	10/1993	Trombley, III	
4,617,016 A	10/1986	Blomberg		5,256,154 A	10/1993	Liebert et al.	
4,628,969 A	12/1986	Jurgens, Jr. et al.		5,256,157 A	10/1993	Samiotos et al.	
4,636,198 A	1/1987	Stade		5,269,762 A	12/1993	Armbruster et al.	
4,648,872 A	3/1987	Kamen		5,275,582 A	1/1994	Wimmer	
4,650,475 A	3/1987	Smith et al.		5,279,569 A	1/1994	Neer et al.	
4,652,260 A	3/1987	Fenton, Jr. et al.		5,282,792 A	2/1994	Imbert	
4,664,128 A	5/1987	Lee		5,282,858 A	2/1994	Bisch et al.	
4,676,776 A	6/1987	Howson		5,300,031 A	4/1994	Neer et al.	
4,677,980 A	7/1987	Reilly et al.		5,308,330 A	5/1994	Grimard	
4,677,981 A	7/1987	Coursant		5,314,415 A	5/1994	Liebert et al.	
4,681,566 A	7/1987	Fenton, Jr. et al.		5,317,506 A	5/1994	Coutre et al.	
4,685,903 A	8/1987	Cable et al.		5,324,273 A	6/1994	Discko, Jr.	
4,695,271 A	9/1987	Goethel		5,336,189 A	8/1994	Sealfon	
4,705,509 A	11/1987	Stade		5,338,309 A	8/1994	Imbert	
4,718,463 A	1/1988	Jurgens, Jr. et al.		5,342,298 A	8/1994	Michaels et al.	
4,722,734 A	2/1988	Kolln		5,353,691 A	10/1994	Haber et al.	
4,741,732 A	5/1988	Crankshaw et al.		5,354,287 A	10/1994	Wacks	
4,741,736 A	5/1988	Brown		5,356,375 A	10/1994	Higley	
4,749,109 A	6/1988	Kamen		5,356,393 A	10/1994	Haber et al.	
4,755,172 A	7/1988	Baldwin		5,373,684 A	12/1994	Vacca	
4,767,406 A	8/1988	Wadham		5,380,285 A	1/1995	Jenson	
4,773,900 A	9/1988	Cochran		5,383,858 A	1/1995	Reilly et al.	
4,791,290 A *	12/1988	Noone	F21V 23/04 174/541	5,397,313 A	3/1995	Gross	
4,838,857 A	6/1989	Strowe et al.		5,411,488 A	5/1995	Pagay et al.	
4,840,616 A	6/1989	Banks		5,413,563 A	5/1995	Basile et al.	
4,842,581 A	6/1989	Davis		5,425,716 A	6/1995	Kawasaki et al.	
RE32,974 E	7/1989	Porat et al.		5,429,602 A	7/1995	Hauser	
4,852,768 A	8/1989	Bartsch		5,429,611 A	7/1995	Rait	
4,853,521 A	8/1989	Claeys et al.		5,431,627 A	7/1995	Pastrone et al.	
4,854,324 A	8/1989	Hirschman et al.		5,433,712 A	7/1995	Stiles et al.	
4,863,427 A	9/1989	Cocchi		5,439,452 A	8/1995	McCarty	
4,869,720 A	9/1989	Chernack		5,445,622 A	8/1995	Brown	
4,878,896 A	11/1989	Garrison et al.		5,451,211 A	9/1995	Neer et al.	
4,911,695 A	3/1990	Lindner		5,456,670 A	10/1995	Neer et al.	
4,923,443 A	5/1990	Greenwood et al.		5,461,239 A	10/1995	Atherton	
4,929,238 A	5/1990	Baum		D364,461 S *	11/1995	Liebert	D24/130
4,931,043 A	6/1990	Ray et al.		5,478,314 A	12/1995	Malenchek	
4,932,941 A	6/1990	Min et al.		5,484,413 A	1/1996	Gevorgian	
4,936,833 A	6/1990	Sams		5,512,054 A	4/1996	Morningstar	
4,943,279 A	7/1990	Samiotos et al.		5,520,653 A	5/1996	Reilly et al.	
4,945,363 A *	7/1990	Hoffman	H01Q 11/083 343/895	5,531,698 A	7/1996	Olsen	
4,966,601 A	10/1990	Draenert		5,531,710 A	7/1996	Dang et al.	
4,969,874 A	11/1990	Michel et al.		5,533,981 A	7/1996	Mandro et al.	
4,973,309 A	11/1990	Sultan		5,535,746 A	7/1996	Hoover et al.	
4,978,335 A	12/1990	Arthur, III		5,540,660 A	7/1996	Jenson	
4,988,337 A	1/1991	Ito		5,545,140 A	8/1996	Conero et al.	
5,007,904 A	4/1991	Densmore et al.		5,573,515 A	11/1996	Wilson et al.	
5,019,045 A	5/1991	Lee		5,593,386 A	1/1997	Helldin	
5,024,663 A	6/1991	Yum, II		5,624,408 A	4/1997	Helldin	
5,033,650 A	7/1991	Colin et al.		5,658,261 A	8/1997	Neer et al.	
5,034,004 A	7/1991	Crankshaw		5,662,612 A	9/1997	Niehoff	
5,047,014 A	9/1991	Mosebach et al.		5,681,285 A	10/1997	Ford et al.	
5,059,179 A	10/1991	Quatrochi et al.		5,681,286 A	10/1997	Niehoff	
5,062,832 A	11/1991	Seghi		5,683,367 A	11/1997	Jordan et al.	
5,066,859 A	11/1991	Karkar et al.		5,688,252 A	11/1997	Matsuda et al.	
5,078,683 A	1/1992	Sancoff et al.		5,695,477 A	12/1997	Sfikas	
5,084,017 A	1/1992	Maffetone		5,722,951 A	3/1998	Marano	
5,085,638 A	2/1992	Farbstein et al.		5,735,825 A	4/1998	Stevens et al.	
5,085,643 A	2/1992	Larkin et al.		5,738,655 A	4/1998	Vallelunga et al.	
5,090,962 A	2/1992	Landry, Jr. et al.		5,738,659 A	4/1998	Neer et al.	
5,093,079 A	3/1992	Bakaitis et al.		5,741,227 A	4/1998	Sealfon	
5,094,148 A	3/1992	Haber et al.		5,779,675 A	7/1998	Reilly et al.	
5,104,374 A	4/1992	Bishko et al.		5,782,803 A	7/1998	Jentzen	
5,106,372 A	4/1992	Ranford		5,785,682 A	7/1998	Grabenkort	
5,106,379 A	4/1992	Leap		5,795,337 A *	8/1998	Grimard	A61M 5/31511 604/222
5,122,118 A	6/1992	Haber et al.		5,806,519 A	9/1998	Evans, III et al.	
5,135,507 A	8/1992	Haber et al.		5,807,334 A	9/1998	Hodosh et al.	
5,147,311 A	9/1992	Pickhard		5,808,203 A	9/1998	Nolan, Jr. et al.	
5,153,827 A	10/1992	Coutre et al.		5,827,219 A	10/1998	Uber, III et al.	
				5,827,262 A	10/1998	Neftel et al.	

US D847,985 S

5,840,026 A	11/1998	Uber, III et al.	D632,389 S *	2/2011	Maeda	D24/130
RE35,979 E	12/1998	Reilly et al.	D637,492 S *	5/2011	Baird	D24/224
5,843,037 A	12/1998	Uber, III	7,972,306 B2	7/2011	Shearn	
D403,762 S *	1/1999	Gabbard	8,012,124 B1	9/2011	Fago et al.	
5,865,805 A	2/1999	Ziamba	8,012,125 B1	9/2011	Fago et al.	
D407,362 S *	3/1999	Schardt	8,038,656 B2	10/2011	Lloyd et al.	
5,879,336 A	3/1999	Brinon	8,070,732 B2	12/2011	Rochette	
5,882,343 A	3/1999	Wilson et al.	8,105,293 B2	1/2012	Pickhard	
5,899,885 A	5/1999	Reilly et al.	8,172,814 B2	5/2012	Cane et al.	
5,902,276 A	5/1999	Namey, Jr.	8,173,995 B2	5/2012	Ramakrishnan et al.	
5,913,844 A	6/1999	Ziamba et al.	8,177,757 B2	5/2012	Nemoto et al.	
5,916,197 A	6/1999	Reilly et al.	D665,498 S *	8/2012	Tamura	D24/130
5,919,167 A	7/1999	Mulhauser et al.	8,308,689 B2	11/2012	Lewis	
5,928,197 A	7/1999	Niehoff	8,353,879 B2	1/2013	Goethel et al.	
5,938,637 A	8/1999	Austin et al.	8,403,909 B2	3/2013	Spohn et al.	
5,938,639 A	8/1999	Reilly et al.	D686,322 S *	7/2013	Maeda	D24/130
5,947,929 A	9/1999	Trull	8,475,415 B2	7/2013	Schiller et al.	
5,954,697 A	9/1999	Srisathapat et al.	8,480,631 B2	7/2013	Wotton et al.	
5,954,700 A	9/1999	Kovelman	8,585,658 B2	11/2013	Forstreuter	
5,997,511 A	12/1999	Curie et al.	8,613,730 B2	12/2013	Hieb et al.	
6,004,292 A	12/1999	Battiato et al.	8,628,495 B2	1/2014	Horton et al.	
6,004,300 A	12/1999	Butcher et al.	8,740,854 B2	6/2014	Schiller et al.	
6,017,330 A	1/2000	Hitchins et al.	8,740,856 B2	6/2014	Quinn et al.	
6,019,745 A	2/2000	Gray	8,748,544 B2 *	6/2014	Abe	A61M 5/31513 525/477
6,042,565 A	3/2000	Hirschman et al.				
6,048,334 A	4/2000	Hirschman et al.	8,845,596 B2	9/2014	Berman et al.	
6,059,756 A	5/2000	Yeh	8,851,866 B2	10/2014	Moutafis et al.	
6,080,136 A	6/2000	Trull et al.	8,857,674 B2	10/2014	Nighy et al.	
6,083,197 A	7/2000	Umbaugh	8,864,712 B1	10/2014	Fago et al.	
6,083,200 A	7/2000	Grimm et al.	8,932,255 B1	1/2015	Fago et al.	
6,099,502 A	8/2000	Duchon et al.	9,173,995 B1	11/2015	Tucker et al.	
6,129,712 A	10/2000	Sudo et al.	9,174,003 B2	11/2015	Cowan et al.	
6,162,200 A	12/2000	Sawa et al.	9,199,033 B1	12/2015	Cowan et al.	
6,196,999 B1	3/2001	Goethel et al.	9,474,857 B2	10/2016	Riley et al.	
6,221,045 B1	4/2001	Duchon et al.	D787,668 S *	5/2017	Ishida	D24/130
6,221,051 B1	4/2001	Hjertman et al.	D788,296 S *	5/2017	Ishida	D24/130
6,224,577 B1	5/2001	Dedola et al.	D788,297 S *	5/2017	Ishida	D24/130
6,267,749 B1	7/2001	Miklos et al.	D788,912 S *	6/2017	Ishida	D24/130
6,290,678 B1	9/2001	Aydelotte et al.	D792,206 S *	7/2017	Baiz	D8/397
6,315,758 B1	11/2001	Neer et al.	D793,220 S *	8/2017	Baiz	D8/397
RE37,487 E	12/2001	Reilly et al.	D793,854 S *	8/2017	Baiz	D8/397
6,332,877 B1 *	12/2001	Michels	9,855,390 B2 *	1/2018	Bisegna	A61M 5/31513
		A61L 29/043 604/263	D826,397 S	8/2018	Green	
6,336,913 B1	1/2002	Spohn et al.	2002/0071920 A1 *	6/2002	Obeshaw	B21C 37/15 428/34.1
6,339,718 B1	1/2002	Zatezalo et al.				
6,345,262 B1	2/2002	Madden	2003/0004468 A1	1/2003	Righi et al.	
6,432,089 B1	8/2002	Kakimi et al.	2003/0009133 A1	1/2003	Ramey	
6,447,487 B1	9/2002	Cane'	2003/0065287 A1	4/2003	Spohn et al.	
6,511,459 B1	1/2003	Fago	2003/0120219 A1	6/2003	Nielsen et al.	
6,517,516 B1	2/2003	Caizza	2003/0153877 A1	8/2003	Huang et al.	
6,533,183 B2	3/2003	Aasmul et al.	2003/0163089 A1	8/2003	Bynum	
6,533,758 B1	3/2003	Staats et al.	2003/0216683 A1	11/2003	Shekalim	
6,582,399 B1	6/2003	Smith et al.	2003/0236800 A1	12/2003	Goeltzenleuchter et al.	
6,585,700 B1	7/2003	Trocki et al.	2004/0006314 A1	1/2004	Campbell et al.	
6,652,489 B2	11/2003	Trocki et al.	2004/0039368 A1	2/2004	Reilly et al.	
6,659,979 B2	12/2003	Neer et al.	2004/0074453 A1	4/2004	Roelle et al.	
6,669,663 B1	12/2003	Thompson	2004/0116861 A1	6/2004	Trocki et al.	
6,726,657 B1	4/2004	Dedig et al.	2004/0133153 A1	7/2004	Trocki et al.	
6,733,477 B2	5/2004	Cowan et al.	2004/0133183 A1	7/2004	Trocki et al.	
6,743,202 B2	6/2004	Hirschman et al.	2004/0243022 A1	12/2004	Carney et al.	
6,752,789 B2	6/2004	Duchon et al.	2005/0080384 A1	4/2005	Green	
6,764,466 B1	7/2004	Staats et al.	2005/0240149 A1	10/2005	Lu	
6,817,990 B2	11/2004	Yap et al.	2006/0084925 A1	4/2006	Ramsahoye	
6,958,053 B1	10/2005	Reilly	2006/0129104 A1	6/2006	Cowan et al.	
7,018,363 B2	3/2006	Cowan et al.	2006/0173411 A1	8/2006	Barere	
D555,802 S *	11/2007	Coulling	2007/0123830 A1	5/2007	Johannes, Sr. et al.	
7,300,417 B1	11/2007	Goethel et al.	2007/0191785 A1	8/2007	Barere et al.	
7,337,538 B2	3/2008	Moutafis et al.	2007/0203460 A1	8/2007	Nemoto et al.	
7,399,293 B2	7/2008	Oyibo et al.	2009/0247957 A1	10/2009	Heutschi	
7,419,478 B1	9/2008	Reilly et al.	2010/0013096 A1	1/2010	Irumata et al.	
7,455,659 B2	11/2008	Nemoto et al.	2010/0016796 A1	1/2010	Derichs	
7,497,843 B1	3/2009	Castillo et al.	2010/0280370 A1 *	11/2010	Namey, Jr.	A61M 5/31511 600/432
7,501,092 B2	3/2009	Chen				
7,549,977 B2	6/2009	Schrivver et al.	2010/0318030 A1	12/2010	Jenkins	
7,553,294 B2	6/2009	Lazzaro et al.	2011/0178500 A1	7/2011	Shang et al.	
7,566,326 B2	7/2009	Duchon et al.	2011/0196312 A1	8/2011	Devega	
7,666,169 B2	2/2010	Cowan et al.	2012/0039809 A1	2/2012	Levinson et al.	
7,682,345 B2	3/2010	Savage	2012/0184920 A1	7/2012	Okihara et al.	
7,803,134 B2	9/2010	Sharifi et al.	2013/0211325 A1	8/2013	Wang et al.	

2013/0317427 A1 11/2013 Brereton et al.
 2013/0317480 A1 11/2013 Reber et al.
 2013/0338605 A1 12/2013 Chen
 2014/0031763 A1 1/2014 Soma et al.
 2014/0200483 A1 7/2014 Fojtik
 2014/0249410 A1 9/2014 Uber, III et al.
 2014/0330216 A1 11/2014 Weaver et al.
 2015/0217059 A1* 8/2015 Ashby A61M 5/31511
 604/189

WO 03101527 A1 12/2003
 WO 2004035289 A1 4/2004
 WO 2005053771 A2 6/2005
 WO 2007130061 A1 11/2007
 WO 2012124028 A1 9/2012
 WO 2012155035 A1 11/2012
 WO 2015006430 A1 1/2015
 WO 2015164783 A1 10/2015
 WO 2016069711 A1 5/2016
 WO 2016069714 A1 5/2016

FOREIGN PATENT DOCUMENTS

AU 317487 1/2008
 DE 2919978 A1 11/1980
 DE 3227417 A1 2/1983
 DE 4017920 A1 12/1991
 DE 19601214 A1 8/1996
 DE 19633530 A1 2/1998
 EP 0111724 A2 6/1984
 EP 0160303 A2 11/1985
 EP 0164904 A2 12/1985
 EP 0308380 A2 3/1989
 EP 0319275 A1 6/1989
 EP 0320168 A1 6/1989
 EP 0323321 A1 7/1989
 EP 0346950 A2 12/1989
 EP 0364010 A2 4/1990
 EP 0384657 A1 8/1990
 EP 0482677 A1 4/1992
 EP 0523343 A1 1/1993
 EP 0523434 A1 1/1993
 EP 0567944 A1 11/1993
 EP 0567945 A1 11/1993
 EP 0584531 A2 3/1994
 EP 09736306 A1 10/1996
 EP 0749757 A2 12/1996
 EP 0900573 A2 3/1999
 EP 0919251 A2 6/1999
 EP 0951306 A2 10/1999
 EP 1002551 A2 5/2000
 EP 1166807 A1 1/2002
 EP 1932555 A1 6/2008
 GB 847914 A 9/1960
 GB 1380873 A 1/1975
 GB 2108852 A 5/1983
 JP S61500415 A 3/1986
 JP S6327770 A 2/1988
 JP S6368177 A 3/1988
 JP 2001029466 A 2/2001
 JP 4462798 B2 5/2010
 JP D1398129 10/2010
 JP D1398130 10/2010
 JP D1400385 11/2010
 JP D1400386 11/2010
 JP D1400551 11/2010
 JP D1400552 11/2010
 WO 8002376 A1 11/1980
 WO 8500292 A1 1/1985
 WO 8502256 A1 5/1985
 WO 8906145 A1 7/1989
 WO 8909071 A1 10/1989
 WO 8911310 A1 11/1989
 WO 9001962 A1 3/1990
 WO 9104759 A1 4/1991
 WO 9221391 A1 12/1992
 WO 9413336 A1 6/1994
 WO 9425089 A1 11/1994
 WO 9632975 A1 10/1996
 WO 9707841 A2 3/1997
 WO 9736635 A1 10/1997
 WO 9800187 A1 1/1998
 WO 9820920 A2 5/1998
 WO 9965548 A1 12/1999
 WO 0108727 A1 2/2001
 WO 0137903 A2 5/2001
 WO 0137905 A2 5/2001
 WO 0204049 A1 1/2002
 WO 02056934 A2 7/2002
 WO 02081011 A1 10/2002

OTHER PUBLICATIONS

Brochure for “Angiomat 6000” of Liebel-Farsheim, 2111 E. Galbraith Road, Cincinnati, OH 45215, © 1987.
 Brochure for “Angiomat CT” of Liebel-Farsheim, 2111 E. Galbraith Road, Cincinnati, OH 45215, © 1988.
 Brochure for “Cordis Lymphography Injector,” Cordis Corporation, Miami, FL 33137 (1972).
 Brochure for “PercuPump 1A” of E-Z-Em, Inc, 717 Main Street, Westbury, NY 11590, © 1990.
 Brochure for the “The First and Only True Injection System,” Medrad Mark V System, Control No. 85106-00-BA-02, Nov. 1988.
 Comar., “Oral Syringes”, Jul. 2015.
 Non-Final Office Action dated Mar. 28, 2013 in related case U.S. Appl. No. 12/728,869.
 Feb. 23, 2015 ISR and WO from PCT/US2014/067435.
 FOA dated Mar. 28, 2013 from U.S. Appl. No. 12/728,869.
 Human; Engineering Branch., “Field Study of Detectability of Colored Targets at Sea”, May 26, 1955, vol. XIV, No. 5.
 Injektron 82 MRT User Instructions, Version MR2, CEO535, Med-Tron GmbH(Mar. 10, 1999).
 Liebel-Flarsheim company—Angiomat 6000 Digital Injection System Operator’s Manual, 600950 Rev 1 (1990); p. 3-6 to 3-8, 4-52 to 4-56.
 Marc; Green Phd, “Visual Expert Human Factors: Color Functionality in Tradedress: A Case Example”, 2013.
 Medrad Envision CT Injector Operation Manual, EOM 700E, 92401-T-123 Rev E, Copyright 1995.
 Medrad Envision CT Injector Operation Manual, EOM 700E, 92401-T-123 Rev E, pp. 2-10 to 2-11 and pp. 2-30 to 2-35(Copyright 1995).
 Medrad, Mark V/Mark V Plus Injector Operation Manual,KMP 805P Rev. B (1990); pp. 1-18 to 1-28, 3-7 to 3-13, 14-1 14-4.
 U.S. Appl. No. 09/365,285, filed Jul. 30, 1999; never published or patented.
 “Why Lime-Yellow Fire Trucks Are Safer Than Red”, Feb. 2014.
 Medtron Ag. “Injektron CT2, Computer Tomography”, Dec. 2004 (submitted in color).
 Medtron; Ag., “Injektron CT 2, Computer Tomography”, Dec. 2004.

* cited by examiner

Primary Examiner — David G Muller
 Assistant Examiner — Nathan M Johnston
 (74) Attorney, Agent, or Firm — Lowenstein Sandler LLP

(57) CLAIM

The ornamental design for a syringe plunger cover, as shown and described.

DESCRIPTION

FIG. 1 is a perspective view of a syringe plunger cover showing our new design in accordance with a first embodiment of the invention;
 FIG. 2 is a side elevation view thereof;
 FIG. 3 is a top plan view thereof;
 FIG. 4 is a perspective view thereof in its intended environment;

FIG. 5 is a perspective view of a syringe plunger cover showing our new design in accordance with a second embodiment of the invention;

FIG. 6 is a side elevation view thereof;

FIG. 7 is a top plan view thereof;

FIG. 8 is a perspective view thereof in its intended environment;

FIG. 9 is a perspective view of a syringe plunger cover showing our new design in accordance with a third embodiment of the invention;

FIG. 10 is a side elevation view thereof;

FIG. 11 is a top plan view thereof; and,

FIG. 12 is a perspective view thereof in its intended environment.

Shading applied to surfaces of the claimed design represents color contrast.

The broken lines in the drawings are included for the purpose of illustrating environment only and form no part of the claimed design.

1 Claim, 6 Drawing Sheets

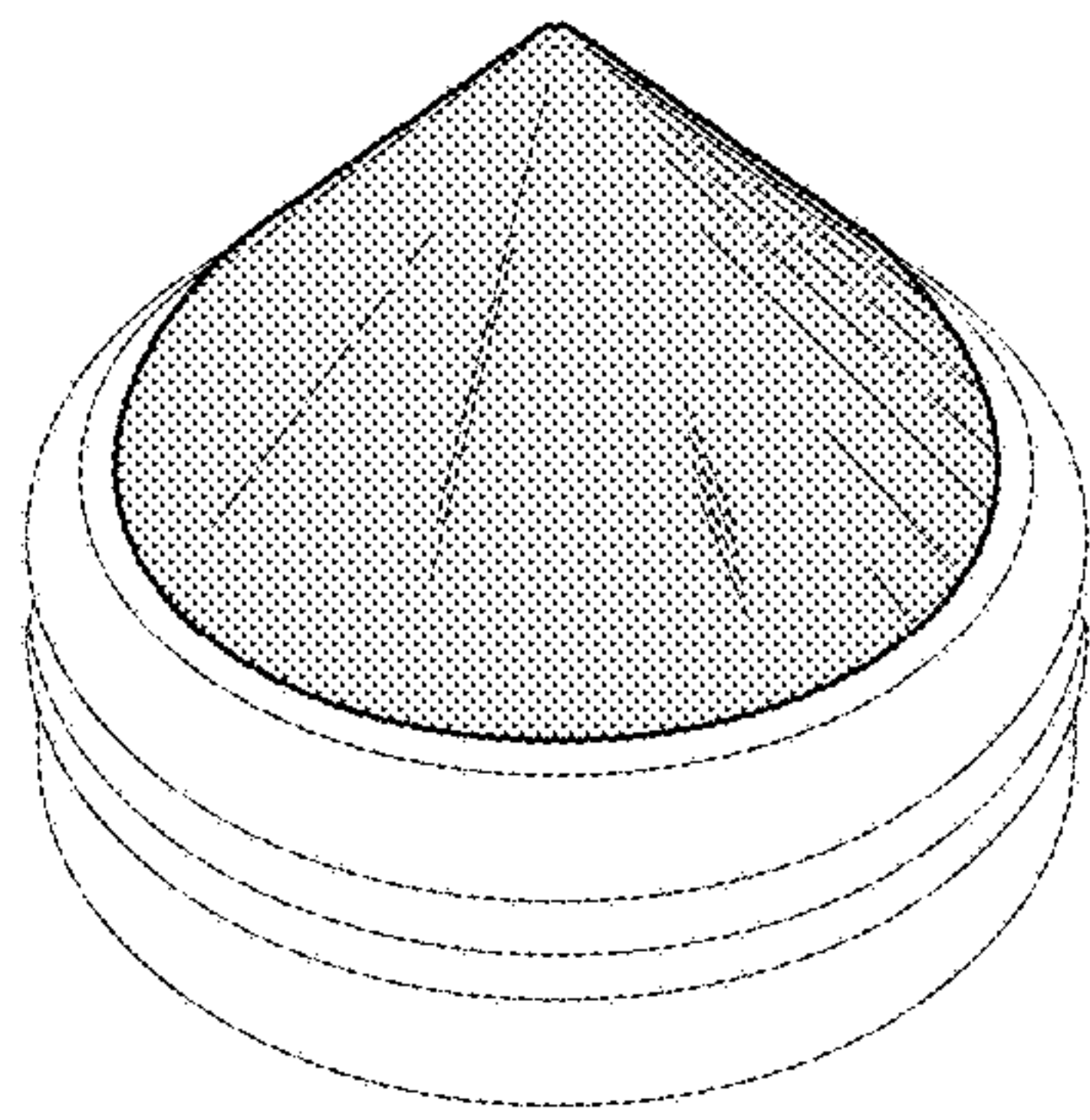


FIG. 1

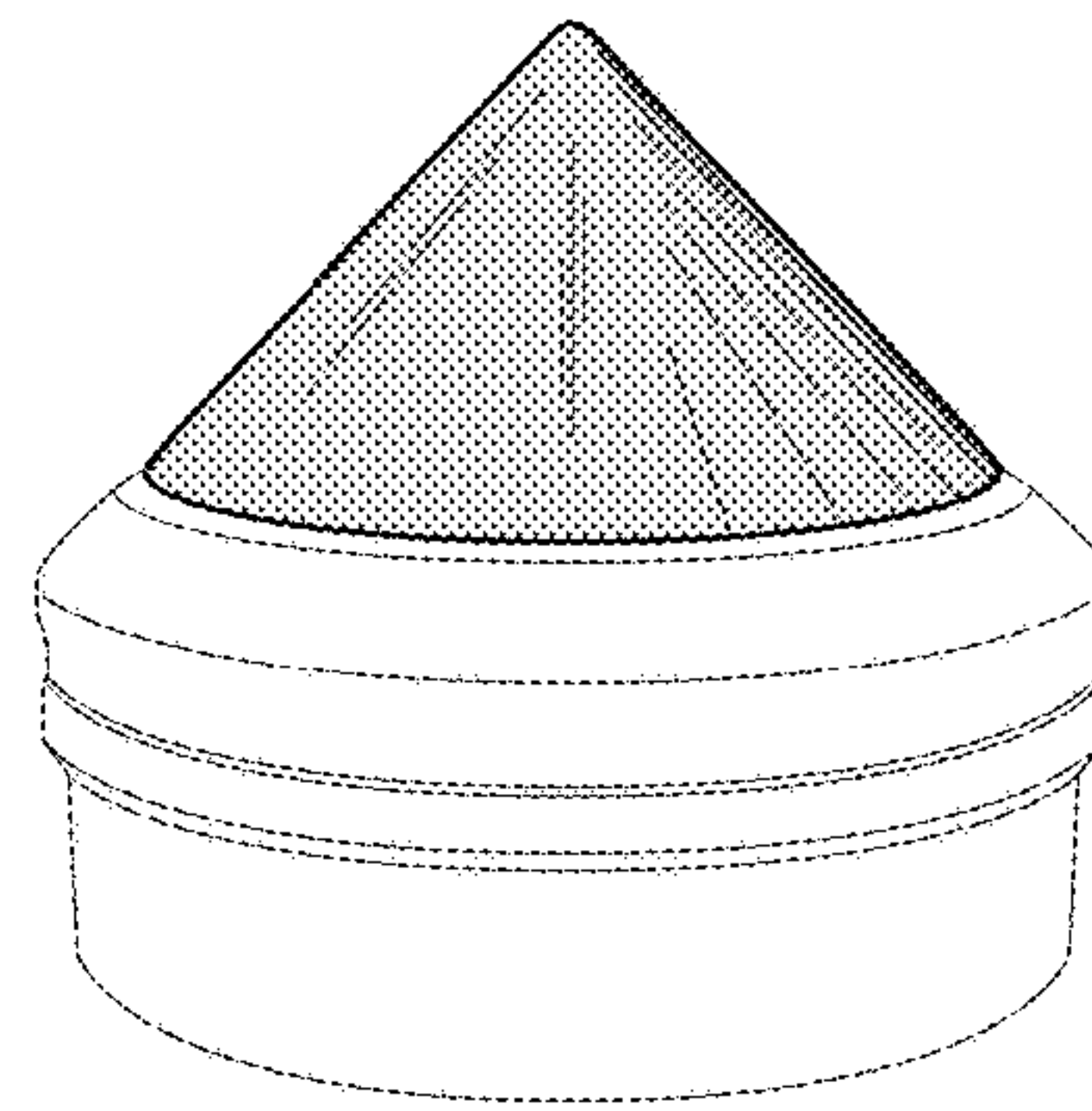


FIG. 2

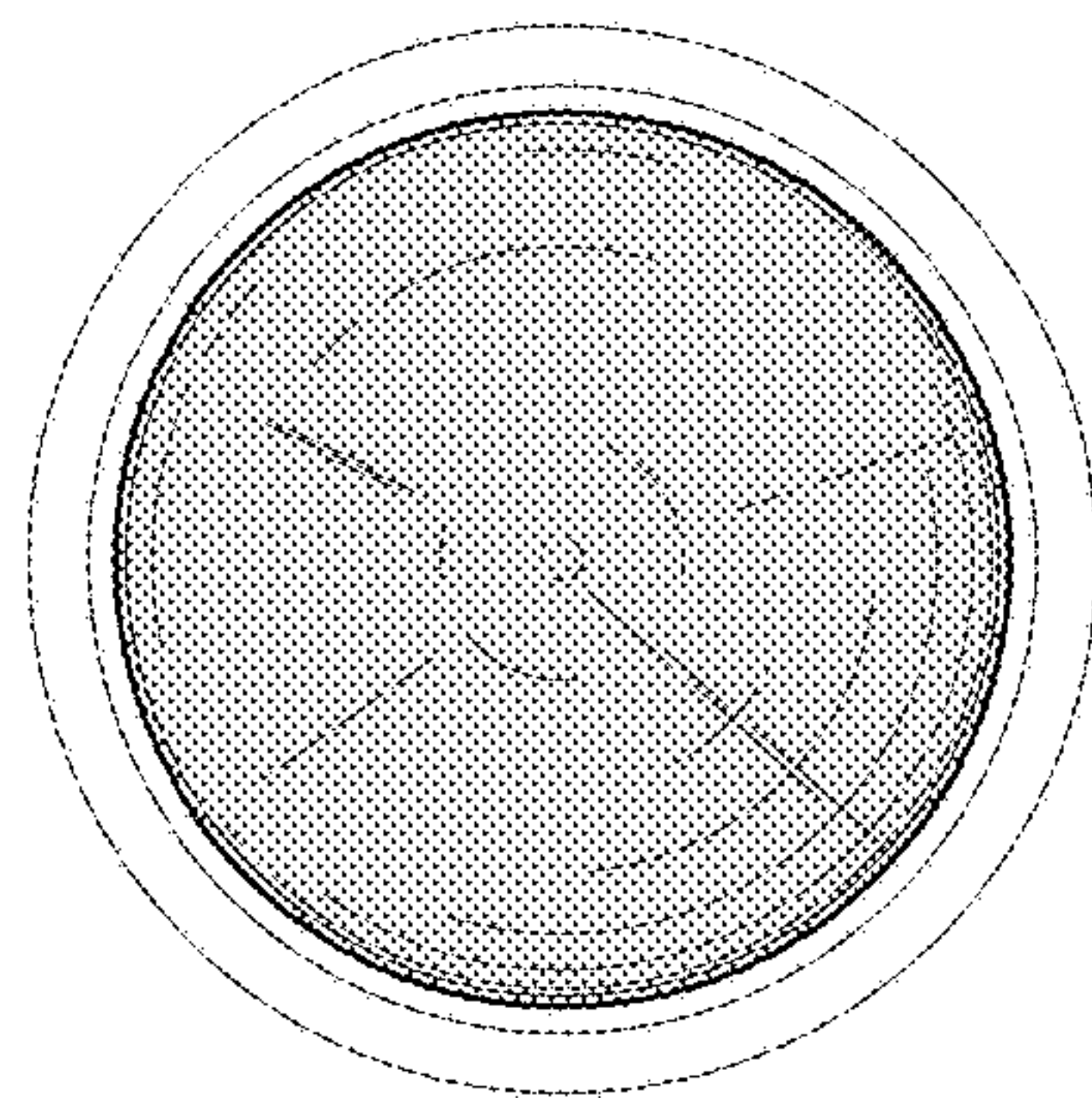


FIG. 3

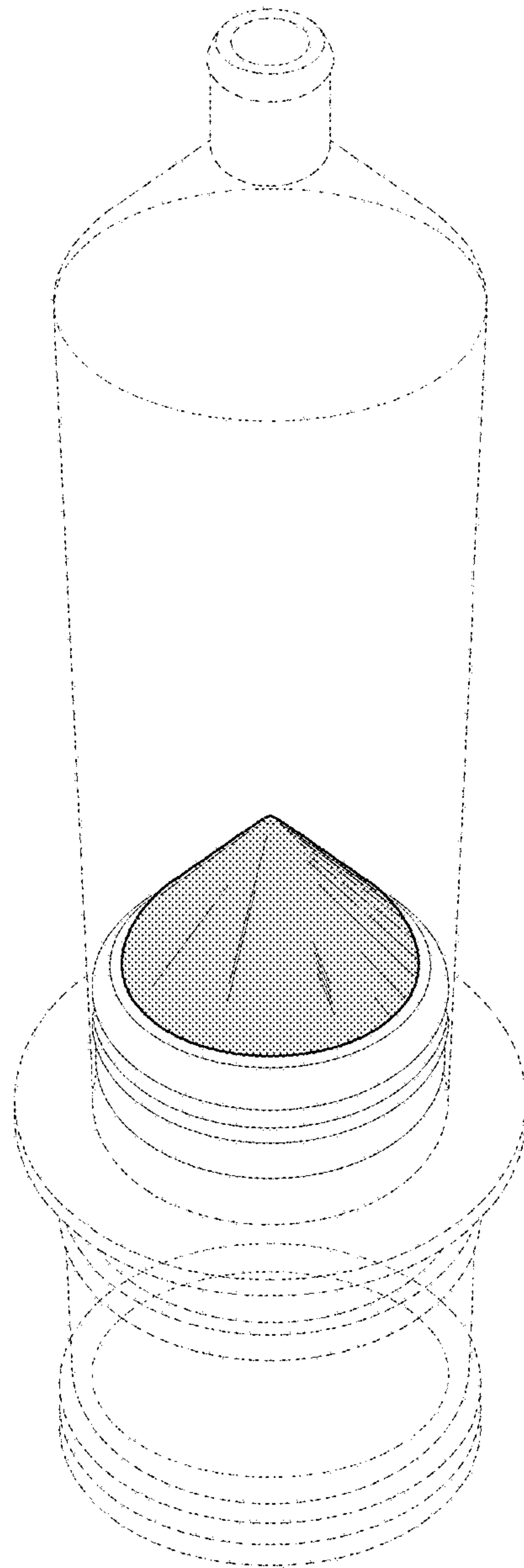


FIG. 4

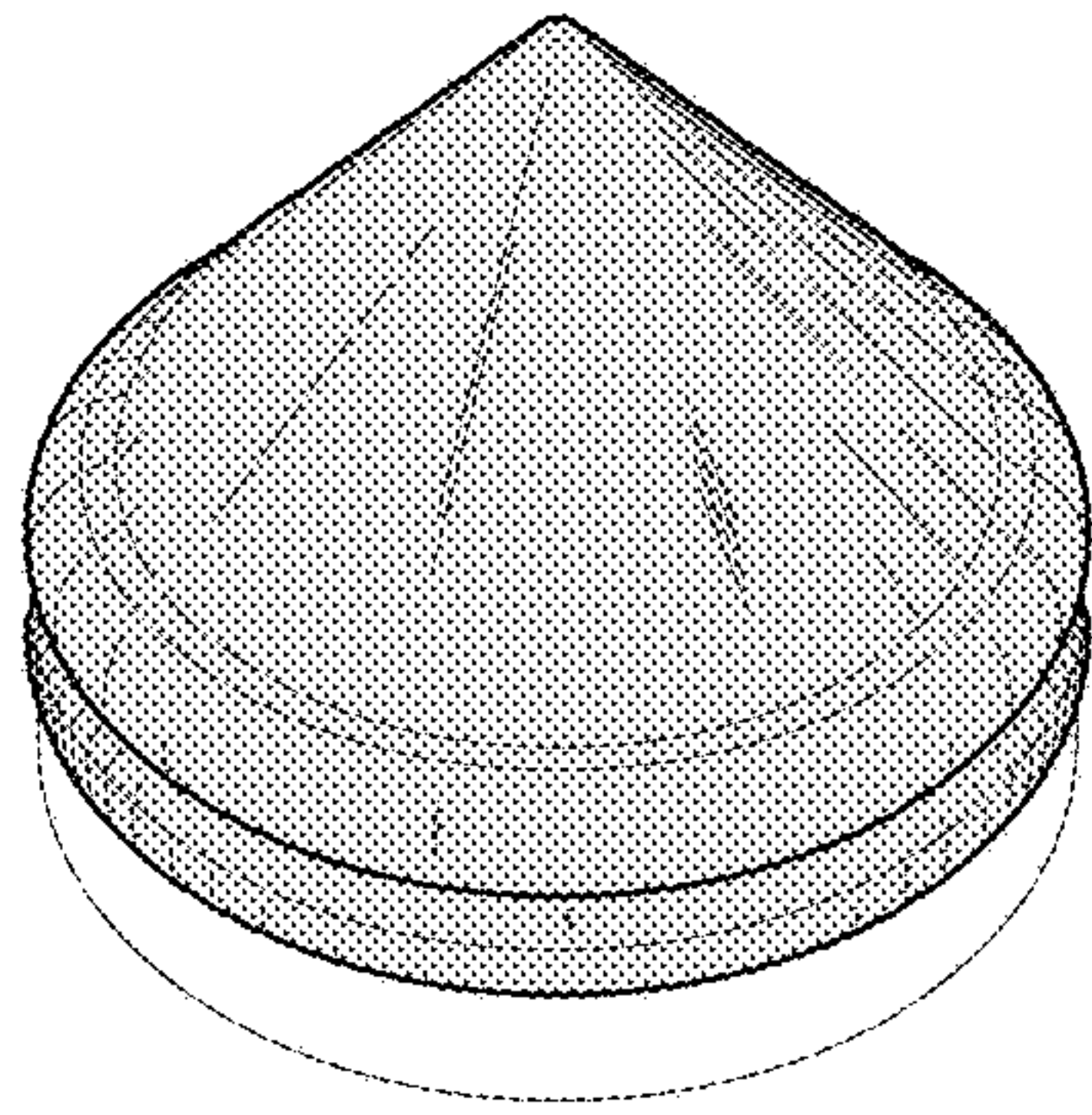


FIG. 5

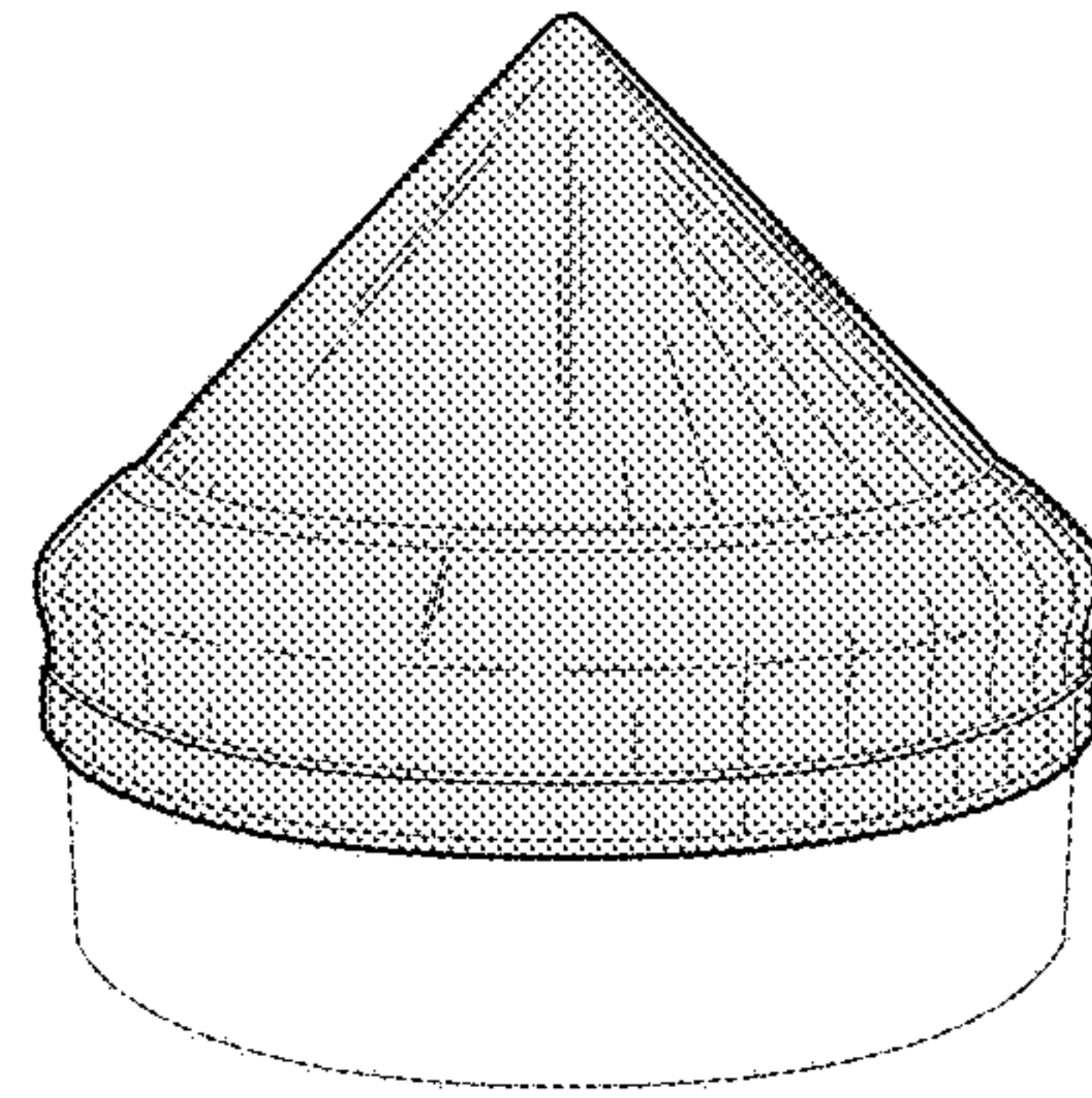


FIG. 6

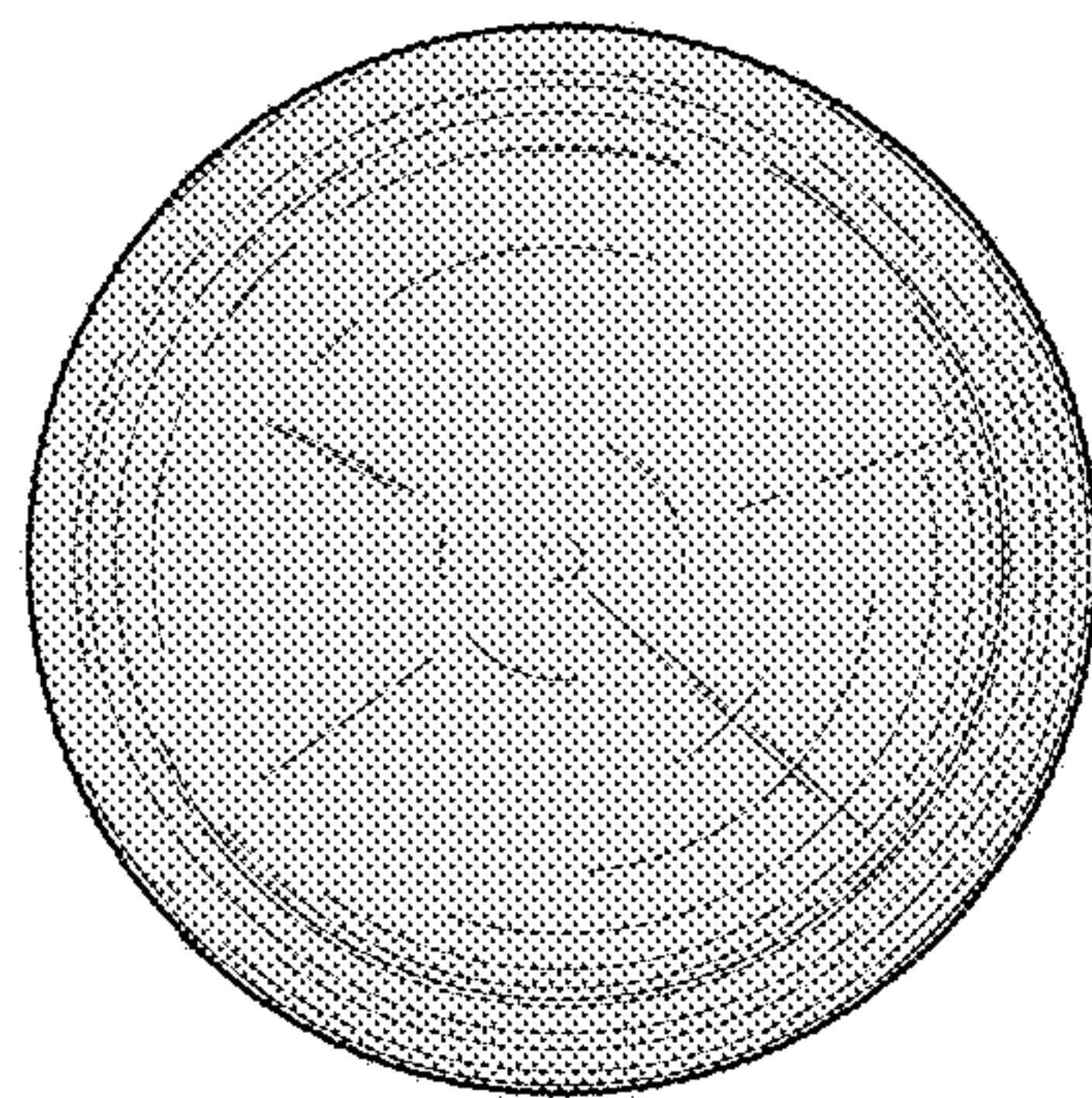


FIG. 7

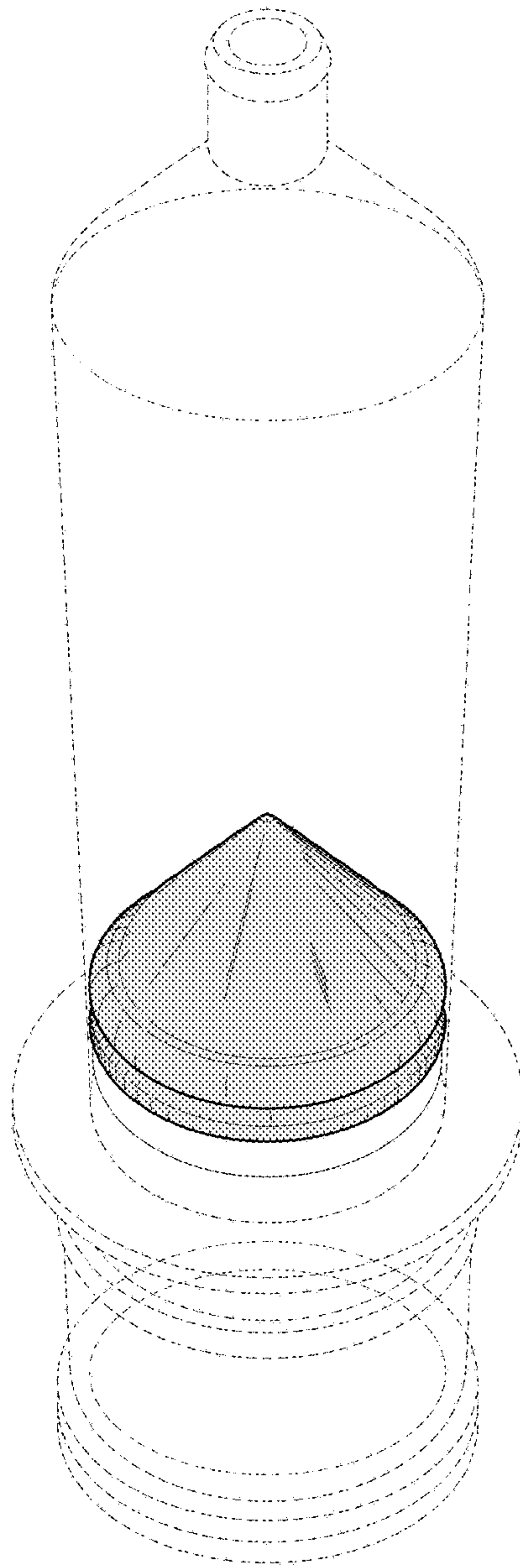


FIG. 8

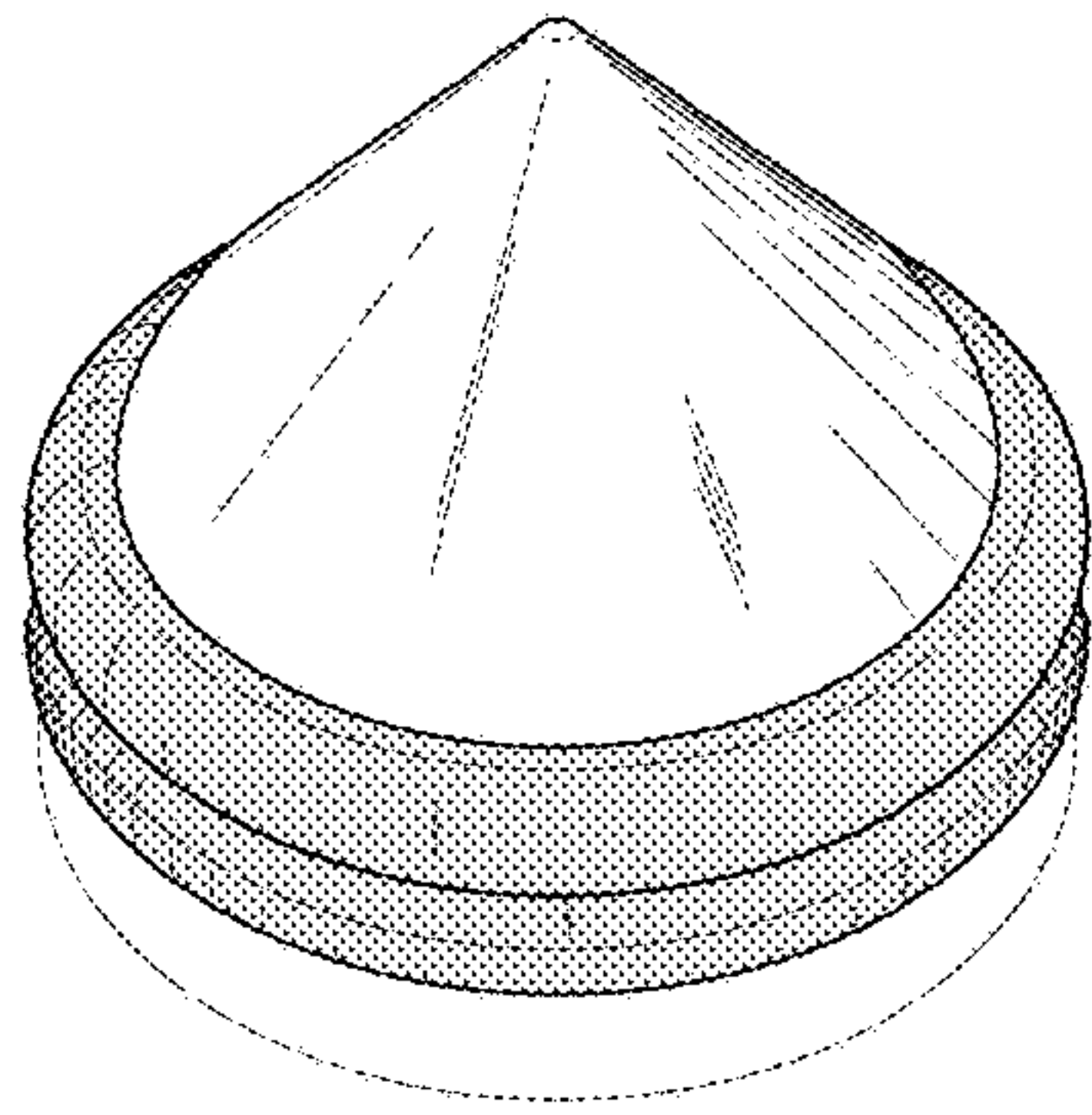


FIG. 9

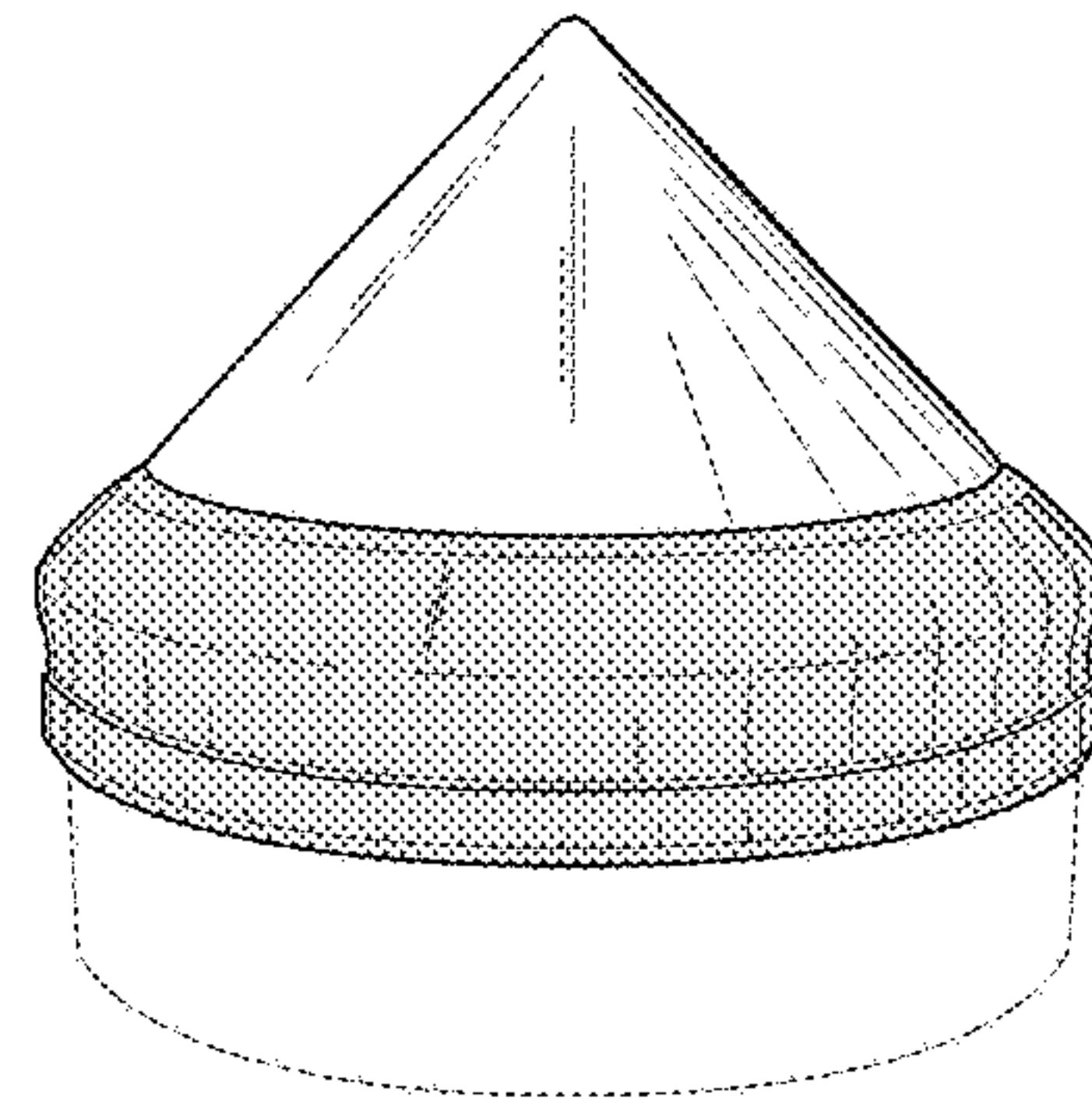


FIG. 10

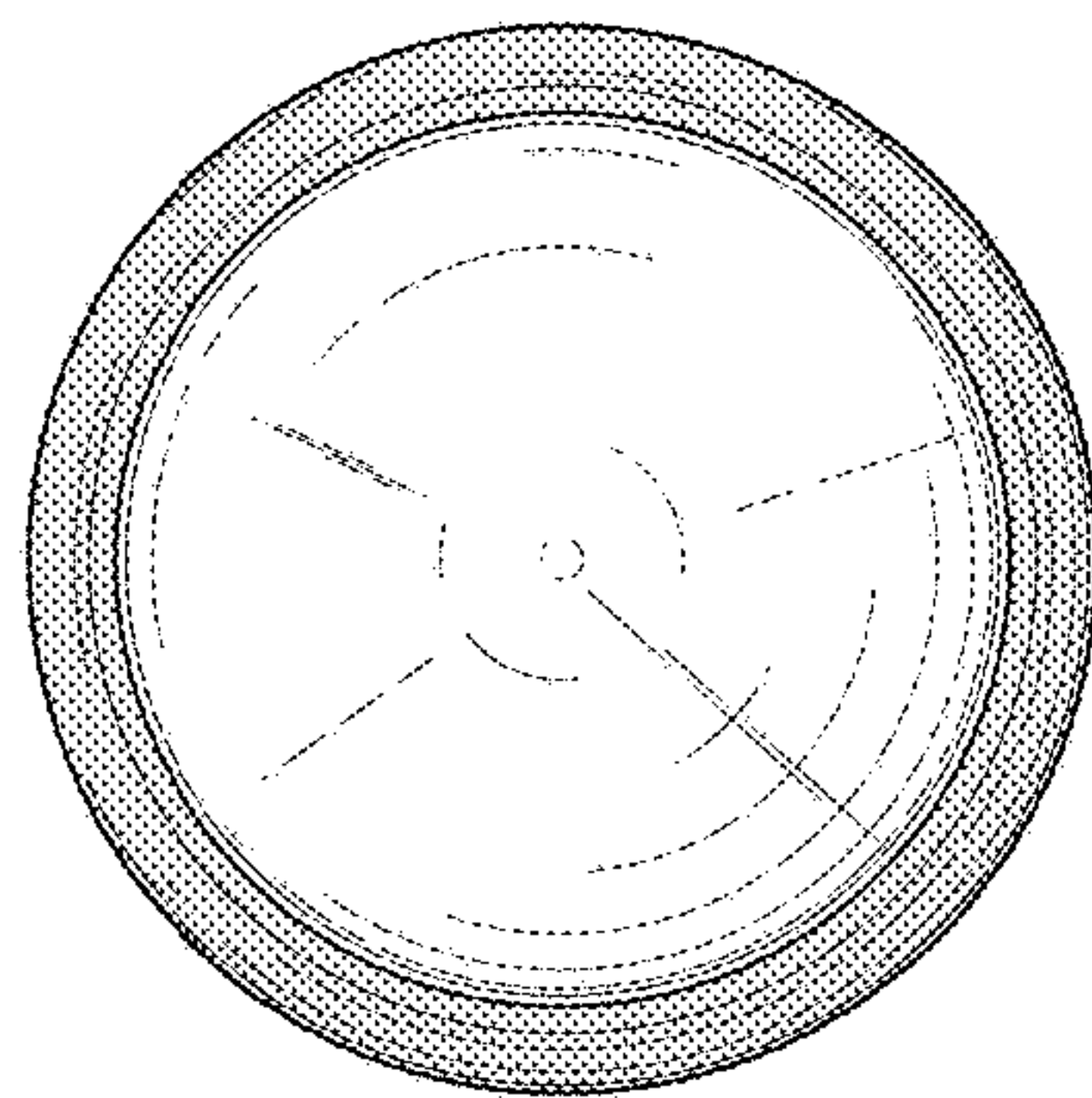


FIG. 11

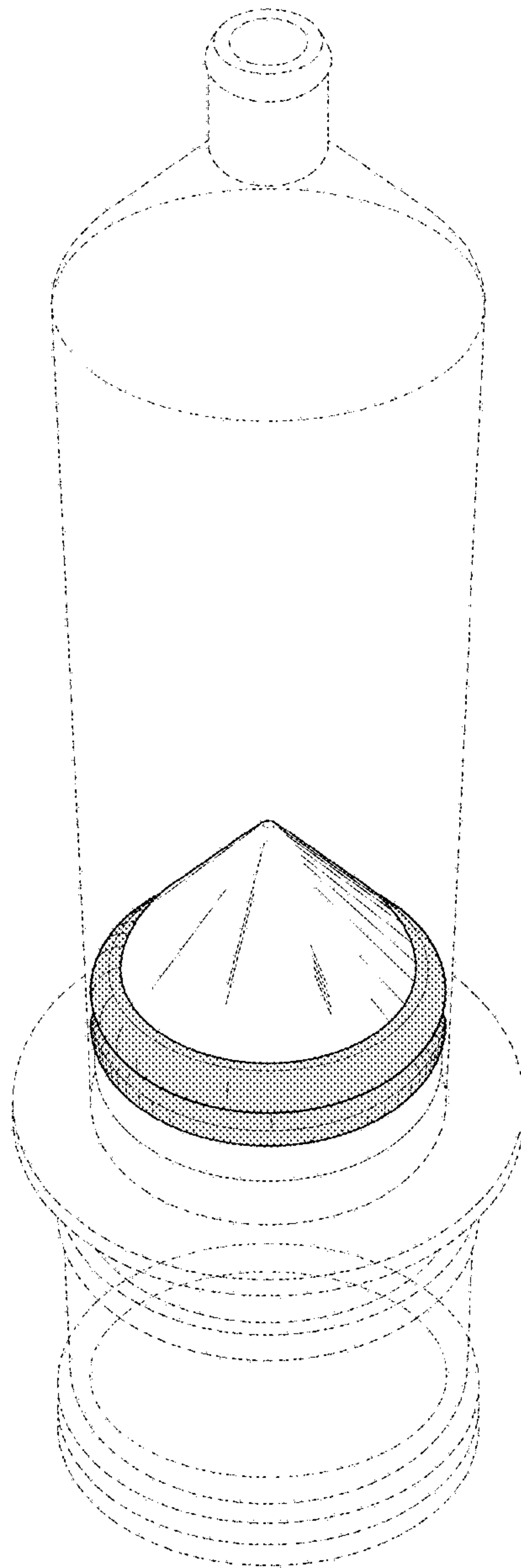


FIG. 12