



US00D847983S

(12) **United States Design Patent** (10) **Patent No.:** **US D847,983 S**
Ho et al. (45) **Date of Patent:** **** May 7, 2019**

(54) **STABILIZER**
(71) Applicant: **Evalue, Inc.**, Menlo Park, CA (US)
(72) Inventors: **Patricia H. Ho**, Redwood City, CA (US); **Christopher T. Strahm**, Deforest, WI (US); **Travis R. Marsot**, Mountain View, CA (US); **Randall S. Koplín**, Middleton, WI (US); **Justen D. England**, San Francisco, CA (US)

D509,587 S * 9/2005 McMinn D24/133
7,938,810 B2 * 5/2011 Spranza A61B 90/11
604/264
8,079,444 B1 12/2011 Rands et al.
D666,711 S * 9/2012 Baid D24/128
8,357,175 B2 * 1/2013 Mark A61B 1/313
606/170
D702,833 S * 4/2014 Cecchi D24/128
8,986,246 B2 3/2015 Foley et al.
9,132,873 B1 9/2015 Laurence et al.
(Continued)

(73) Assignee: **EVALVE, INC.**, Santa Clara, CA (US)
(**) Term: **15 Years**

FOREIGN PATENT DOCUMENTS

EP 1356773 10/2003
WO WO 9309738 5/1993

(21) Appl. No.: **29/644,547**
(22) Filed: **Apr. 18, 2018**

OTHER PUBLICATIONS

U.S. Appl. No. 14/879,674, dated Oct. 25, 2017, Office Action.
(Continued)

Related U.S. Application Data

(62) Division of application No. 29/542,027, filed on Oct. 9, 2015, now Pat. No. Des. 816,832.
(51) **LOC (11) Cl.** **24-02**
(52) **U.S. Cl.**
USPC **D24/128**
(58) **Field of Classification Search**
USPC D24/127-131, 112-114, 133, 186;
606/181, 185; 604/264, 523-528, 272,
604/187, 158, 164.01-164.11, 181, 184,
604/227; 600/101, 139, 143;
128/200.24, 207.14, 207.15
CPC .. A61M 25/065; A61M 5/42; A61M 25/0612;
A61B 90/11
See application file for complete search history.

Primary Examiner — David G Muller
(74) *Attorney, Agent, or Firm* — Workman Nydegger

(57) **CLAIM**

The ornamental design for a stabilizer, as shown and described.

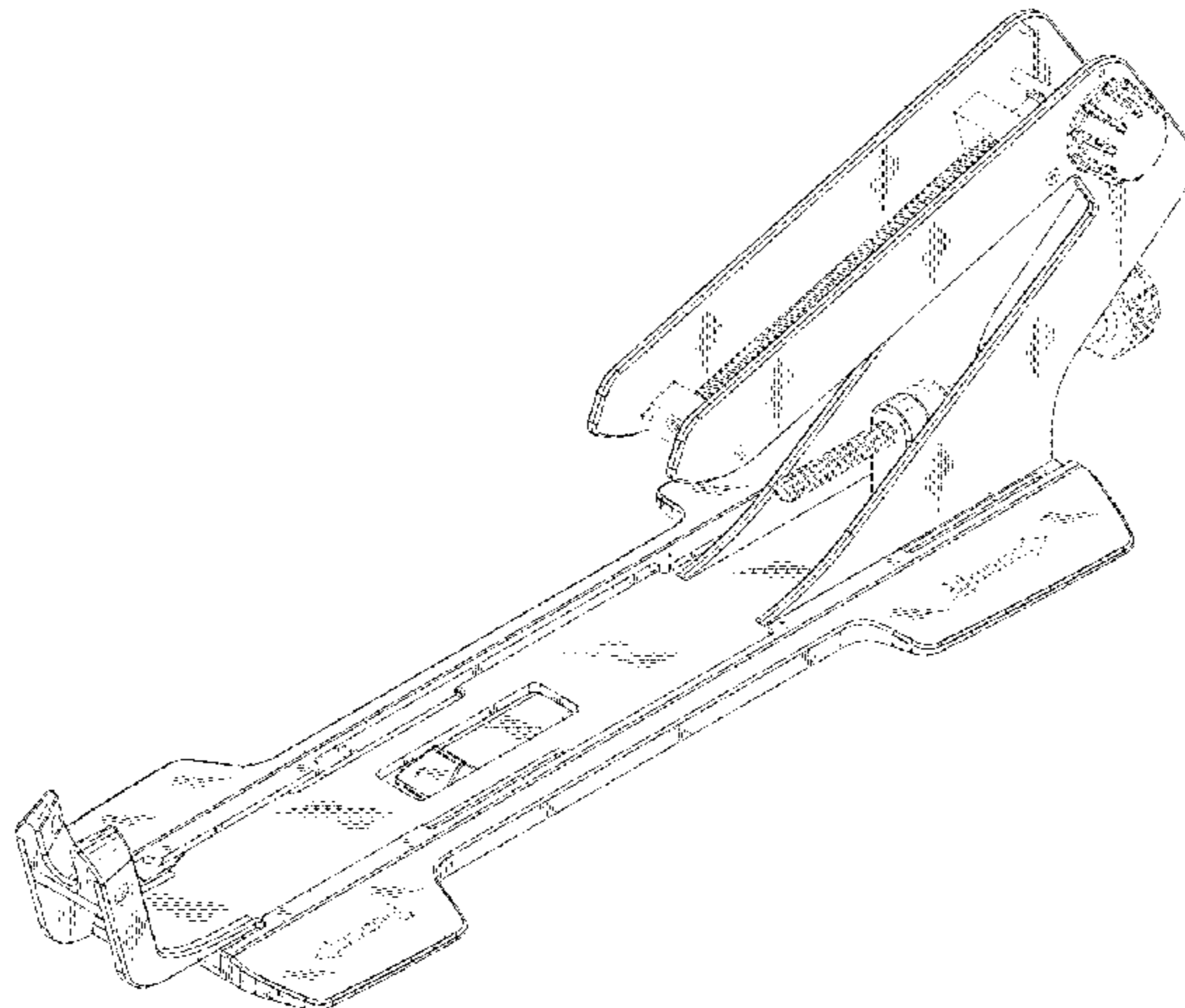
DESCRIPTION

FIG. 1 is a perspective view of a stabilizer showing the new design;
FIG. 2 is a bottom perspective view thereof;
FIG. 3 is a top plan view thereof;
FIG. 4 is a right side elevation thereof;
FIG. 5 is a left side elevation thereof;
FIG. 6 is a bottom plan view thereof;
FIG. 7 is a front elevational view thereof; and,
FIG. 8 is a rear elevational view thereof.
The broken lines depicted in the Figures illustrate portions of the stabilizer that form no part of the claimed design.

(56) **References Cited**
U.S. PATENT DOCUMENTS

D406,337 S * 3/1999 Baust D24/133
D460,174 S * 7/2002 Gallagher D24/113
D481,128 S * 10/2003 Koros D24/133

1 Claim, 5 Drawing Sheets



(56)

References Cited

U.S. PATENT DOCUMENTS

D750,224 S * 2/2016 Miyano D24/113
D750,773 S * 3/2016 Eaton D24/128
D762,300 S * 7/2016 Breitweiser D24/128
9,687,209 B2 * 6/2017 Lee A61B 8/0841
9,782,224 B2 * 10/2017 Piccin A61B 17/3403
D816,832 S 5/2018 Ho et al.
2004/0054355 A1 3/2004 Gerbi et al.
2009/0247859 A1 10/2009 Daum et al.
2010/0160825 A1 6/2010 Parihar et al.
2012/0182134 A1 7/2012 Doyle
2012/0184955 A1 7/2012 Pivotto et al.
2014/0236198 A1 8/2014 Goldfarb et al.
2014/0316369 A1 10/2014 Centeno et al.
2017/0100201 A1 4/2017 Ho et al.

OTHER PUBLICATIONS

U.S. Appl. No. 14/879,674, dated May 15, 2018, Office Action.
U.S. Appl. No. 14/879,674, dated Oct. 30, 2018, Notice of Allow-
ance.
U.S. Appl. No. 29/542,027, dated Dec. 29, 2017, Notice of Allow-
ance.

* cited by examiner

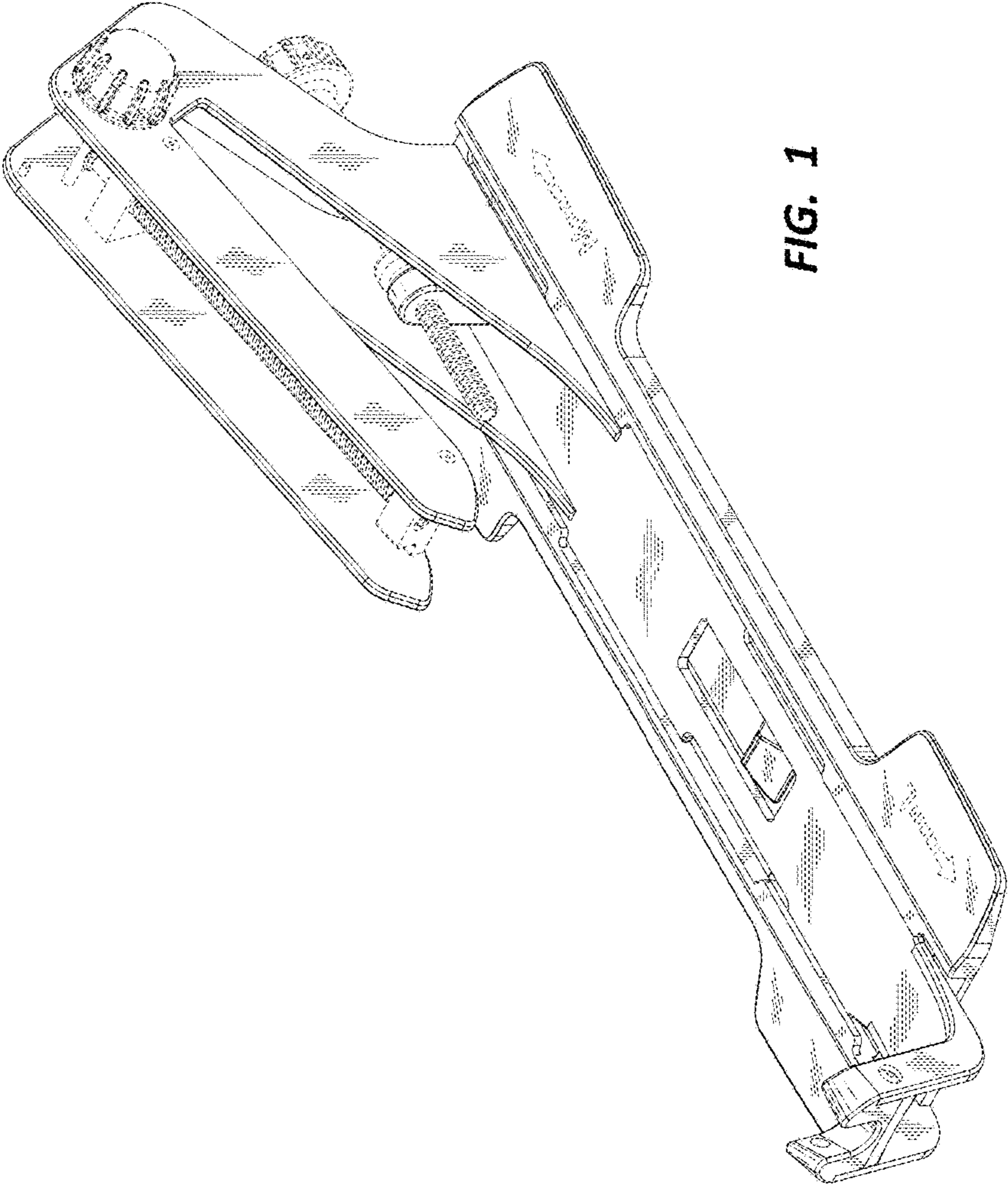


FIG. 1

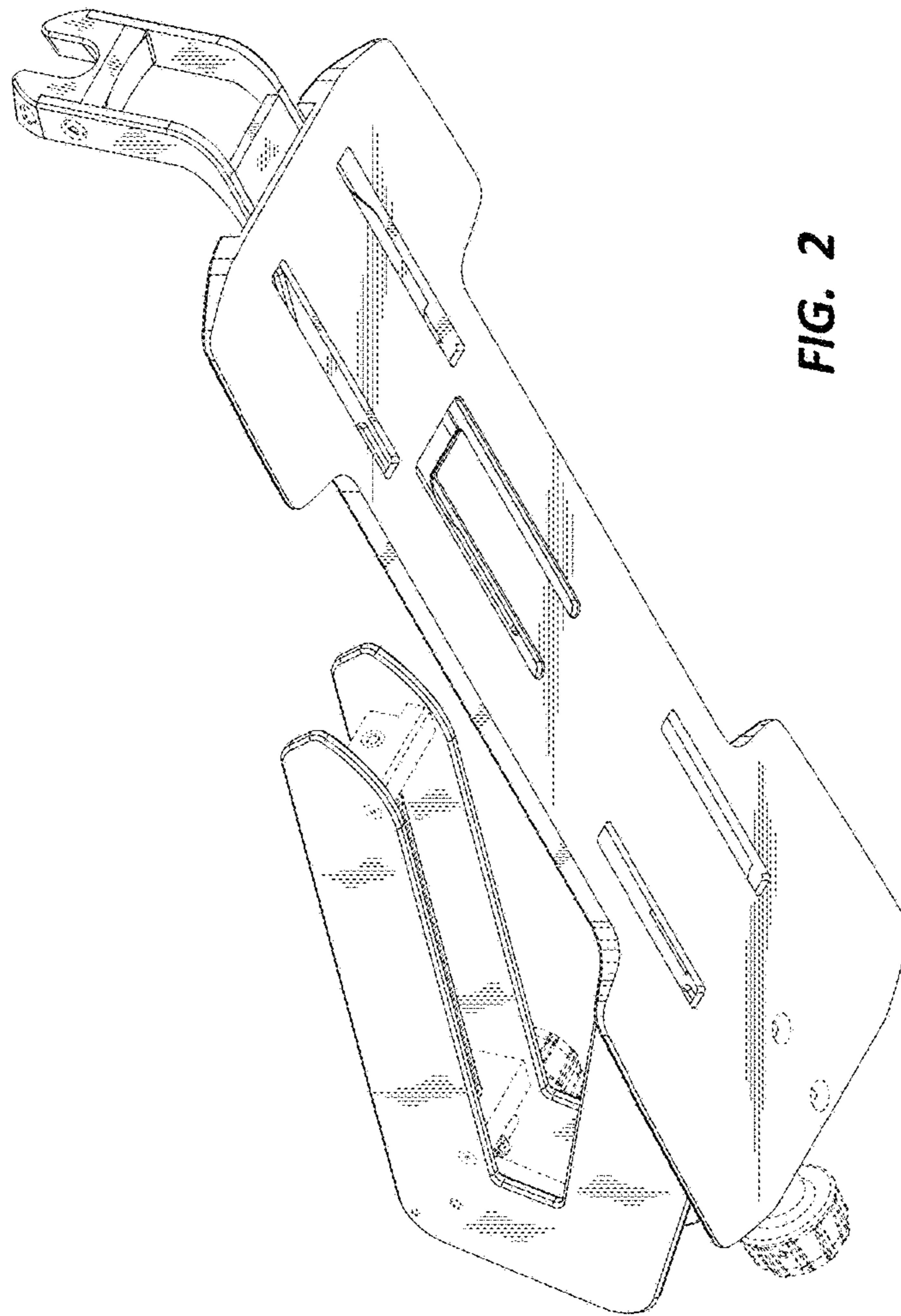


FIG. 2

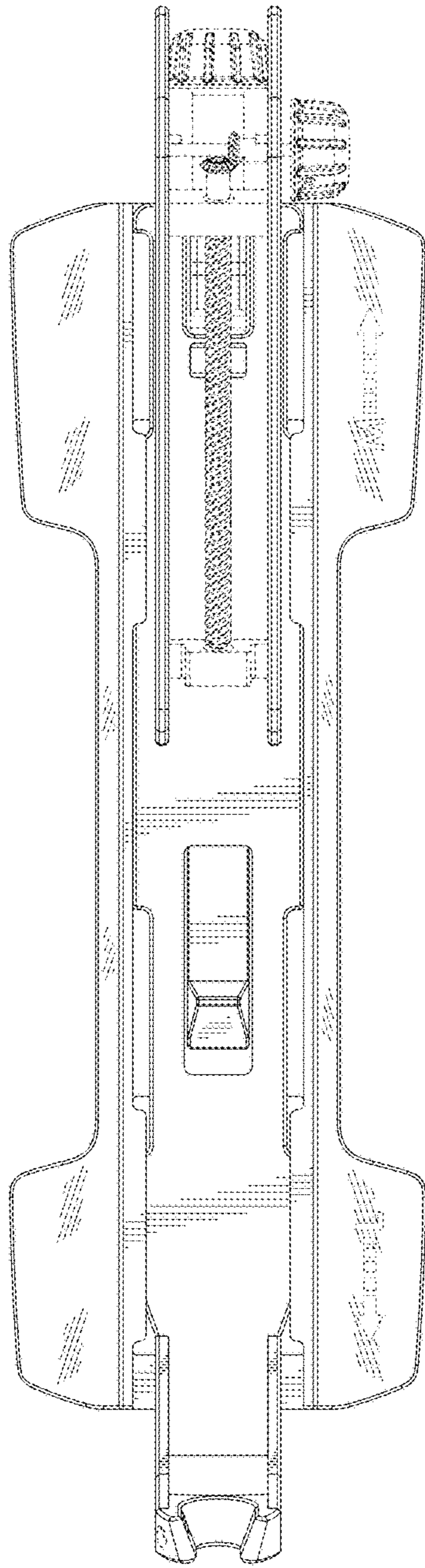


FIG. 3

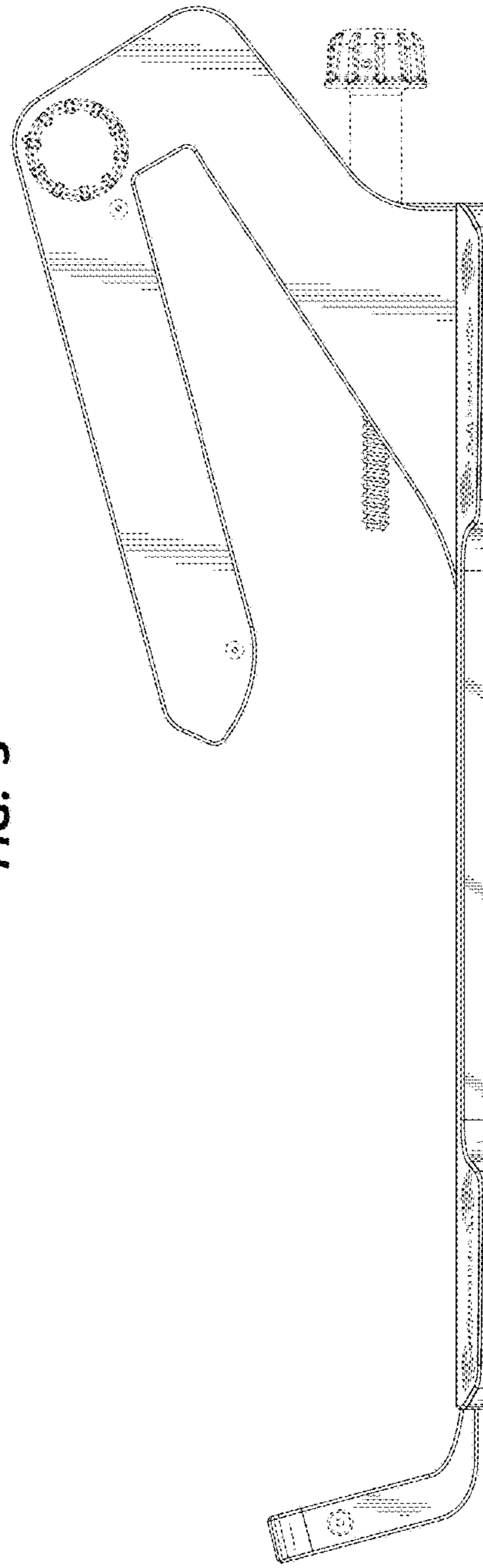


FIG. 4

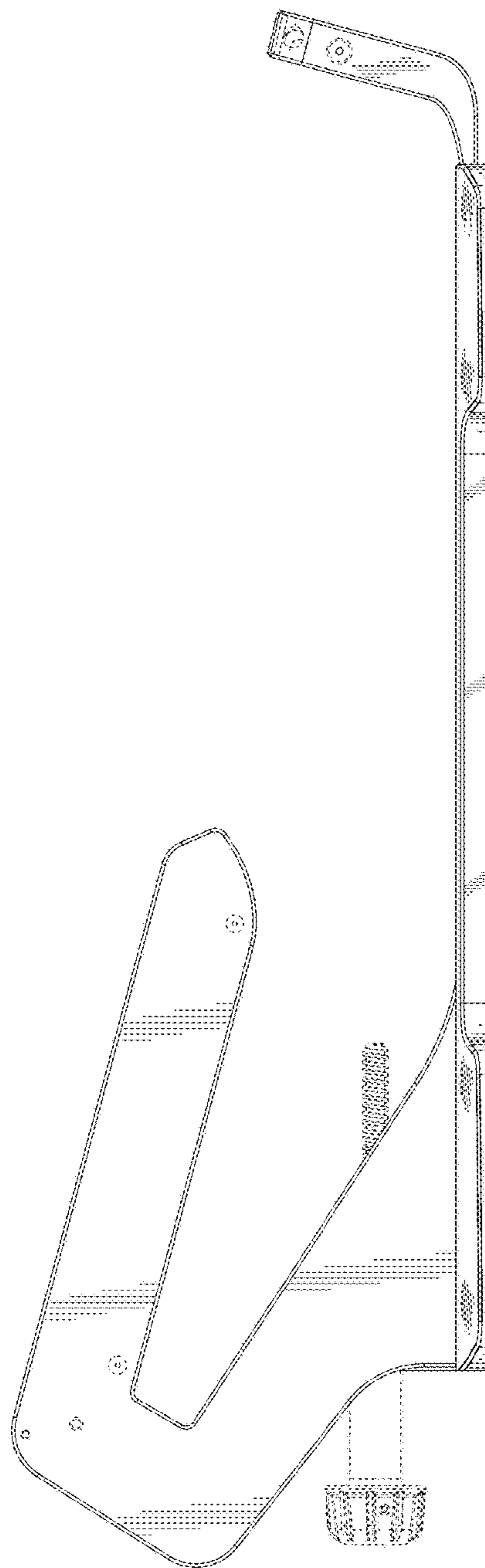


FIG. 5

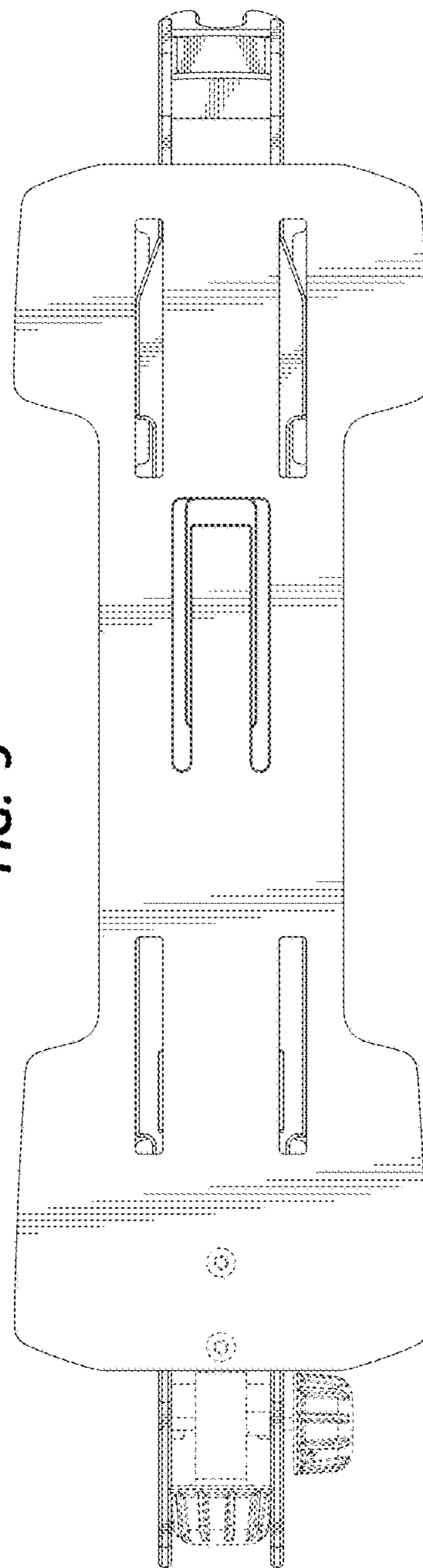


FIG. 6

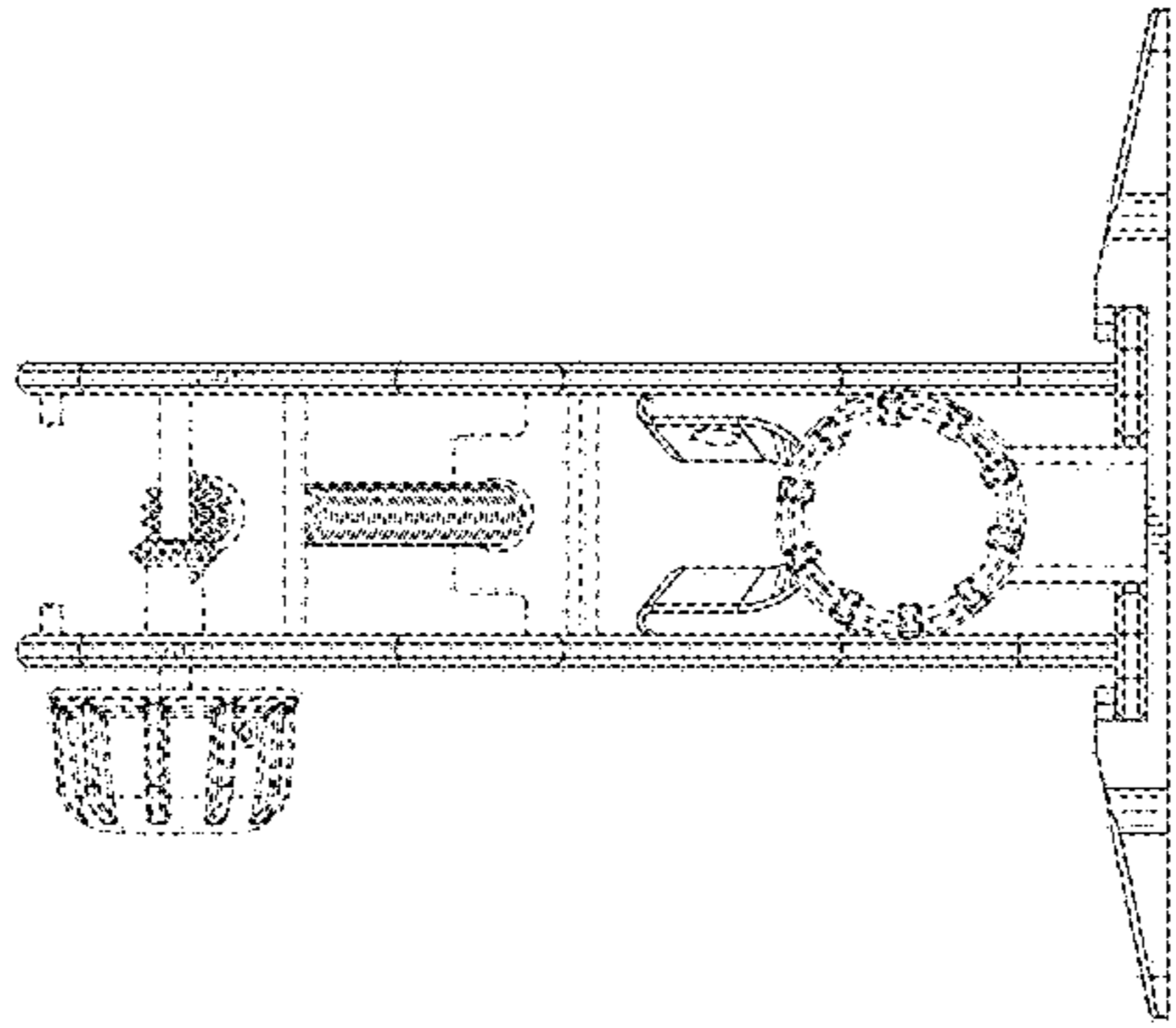


FIG. 8

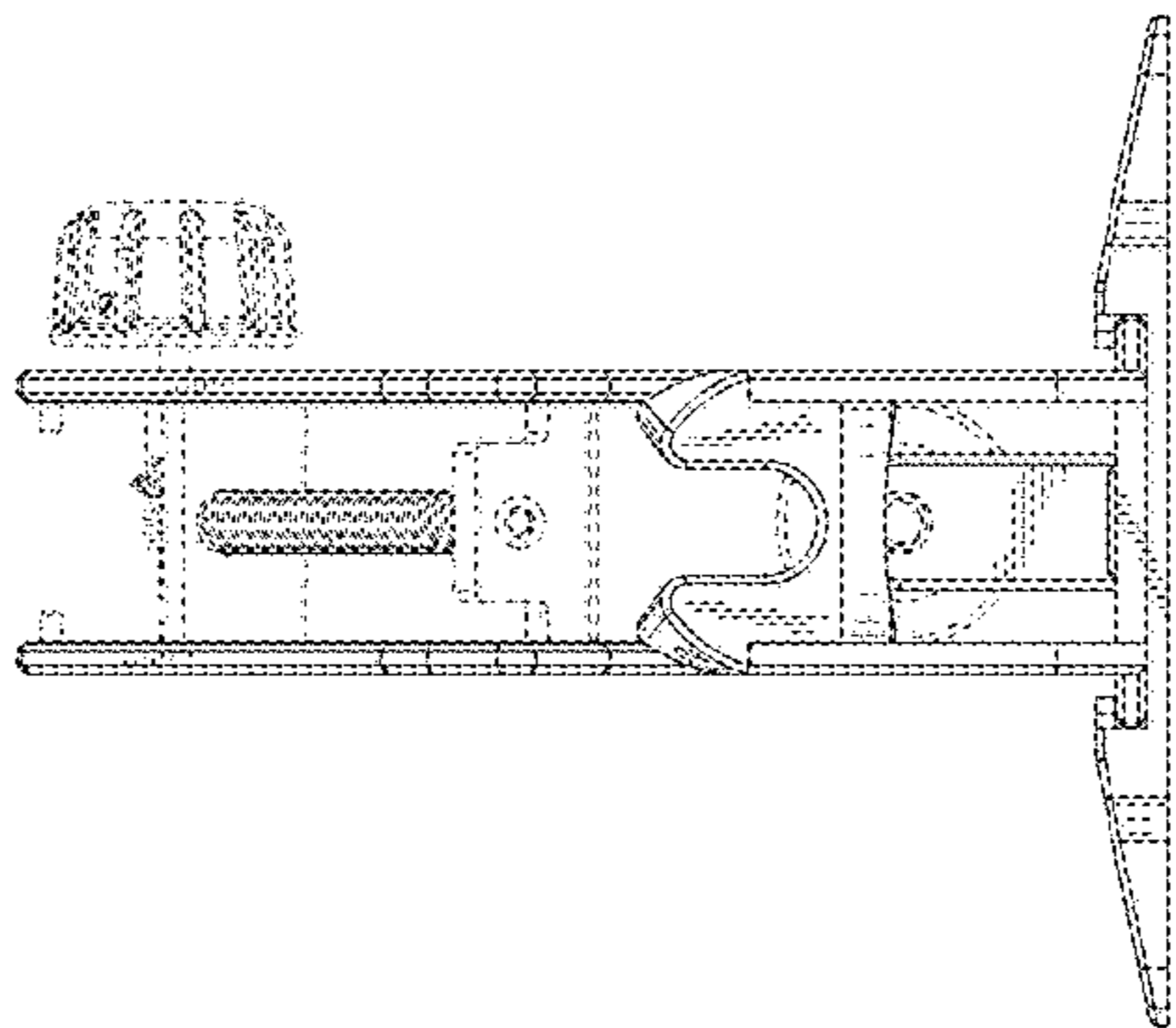


FIG. 7