



US00D847982S

(12) **United States Design Patent** (10) **Patent No.:** **US D847,982 S**  
**Falkenberg** (45) **Date of Patent:** **\*\* May 7, 2019**

(54) **HEAT EXCHANGER BASE PLATE**

(56) **References Cited**

(71) Applicant: **Atos Medical AB**, Horby (SE)

U.S. PATENT DOCUMENTS

(72) Inventor: **Richard Falkenberg**, Horby (SE)

5,108,768 A \* 4/1992 So ..... B65D 85/8043  
206/519

(73) Assignee: **Atos Medical AB** (SE)

D398,990 S \* 9/1998 Briggs ..... D24/118  
D404,370 S \* 1/1999 Kimura ..... D13/182

(\*\*) Term: **15 Years**

(Continued)

(21) Appl. No.: **29/598,066**

OTHER PUBLICATIONS

(22) Filed: **Mar. 22, 2017**

Provox Luna Base Plate found online [Jun. 17, 2017]—<http://www.atosmedical.us/product/provox-luna/>.\*

**Related U.S. Application Data**

*Primary Examiner* — Brandon M Rosati

(63) Continuation-in-part of application No. 29/573,360, filed on Aug. 4, 2016, now Pat. No. Des. 832,427, and a continuation-in-part of application No. 29/573,358, filed on Aug. 4, 2016, now Pat. No. Des. 819,202.

*Assistant Examiner* — John A Voytek

(74) *Attorney, Agent, or Firm* — Fishman Stewart PLLC

(30) **Foreign Application Priority Data**

(57) **CLAIM**

The ornamental design for a heat exchanger base plate, as shown and described.

Feb. 4, 2016 (EM) ..... 002972281-0001  
Feb. 4, 2016 (EM) ..... 002972281-0002  
Feb. 4, 2016 (EM) ..... 002972281-0003  
Feb. 4, 2016 (EM) ..... 002972281-0004  
Feb. 4, 2016 (EM) ..... 002972281-0005  
Feb. 4, 2016 (EM) ..... 002972281-0006

**DESCRIPTION**

(51) **LOC (11) Cl.** ..... **24-04**

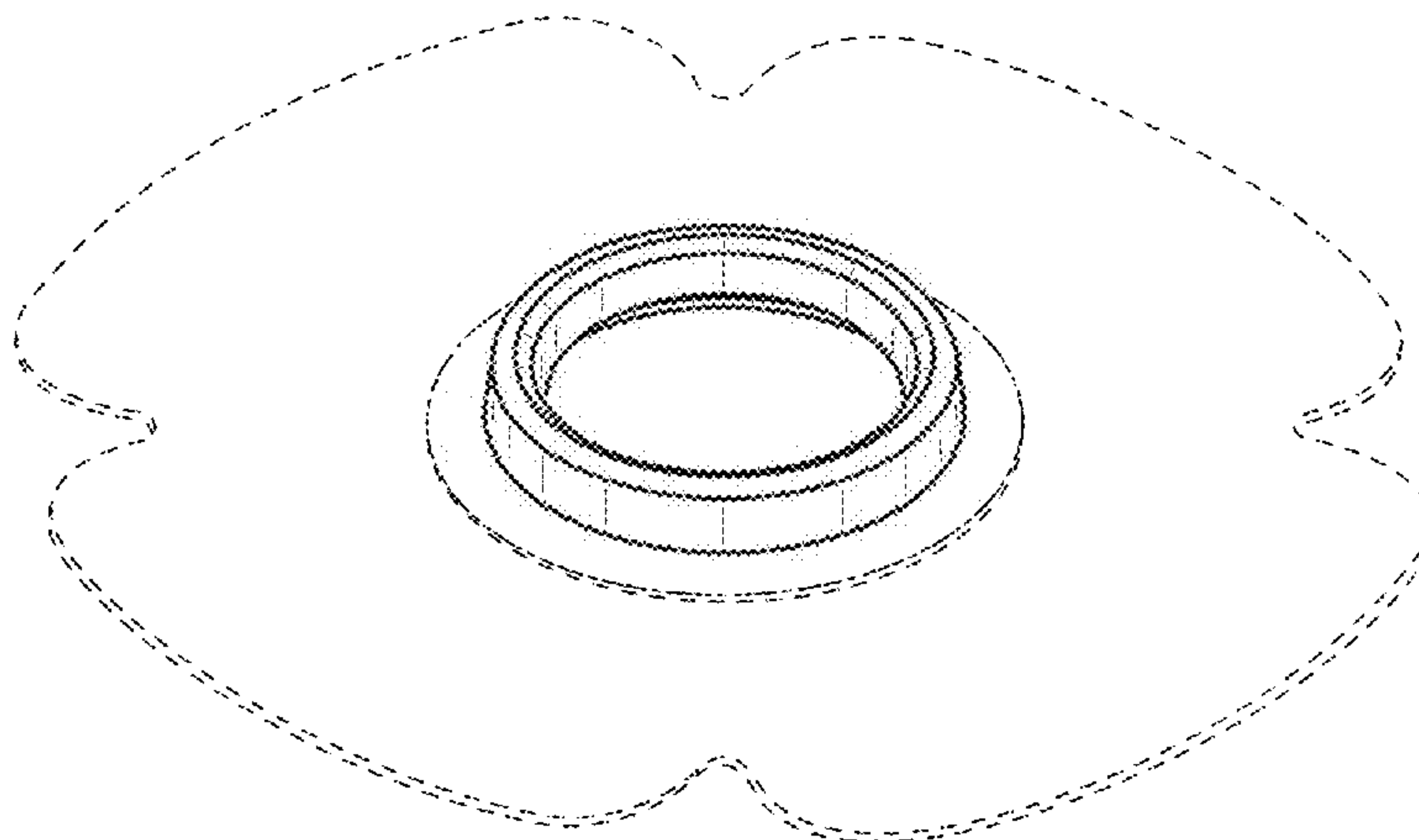
(52) **U.S. Cl.**  
USPC ..... **D24/128**; D13/182

(58) **Field of Classification Search**  
USPC ..... D24/108, 111, 118, 127, 128; D9/696, D9/707, 709; D13/165, 170–199  
CPC ..... A61M 16/066; A61M 16/0465; A61M 16/1045; A61M 1/0001; A61M 3/0262; A61F 2/203; A61F 5/44; A61F 5/441; A61F 5/445; A61F 5/448; A61J 1/10; B65D 33/14; B65D 33/007; B65D 81/3266; F28F 1/325; F28F 13/18; C25D 17/10; C25D 17/12; C25D 17/14  
See application file for complete search history.

FIG. 1 is a front perspective view of a heat exchanger base plate;  
FIG. 2 is a top perspective view of a heat exchanger base plate;  
FIG. 3 is a back perspective view of a heat exchanger base plate;  
FIG. 4 is a bottom perspective view of a heat exchanger base plate;  
FIG. 5 is a front view of a heat exchanger base plate;  
FIG. 6 is a back view of a heat exchanger base plate; and,  
FIG. 7 is a top view of a heat exchanger base plate.

In the drawings, the broken lines depict environmental subject matter only and form no part of the claimed design. The dot and dashed boundary lines indicate a boundary between the claimed and unclaimed portions of the design.

**1 Claim, 5 Drawing Sheets**



(56)

References Cited

U.S. PATENT DOCUMENTS

D516,212 S *	2/2006	Persson .....	D24/128	2013/0192603 A1 *	8/2013	Leibitzki .....	A61M 16/0468
D533,660 S *	12/2006	Persson .....	D24/128				128/205.29
D539,424 S *	3/2007	Persson .....	D24/128	2013/0192604 A1 *	8/2013	Persson .....	A61M 16/047
8,628,507 B1 *	1/2014	Carroll .....	A61F 13/141				128/207.16
			604/346	2013/0213404 A1 *	8/2013	Leibitzki .....	A61M 16/047
D703,160 S *	4/2014	Tanimura .....	D13/182				128/207.14
D754,332 S *	4/2016	Fahl .....	D24/118	2013/0304008 A1 *	11/2013	Hanuka .....	A61F 5/4401
D770,992 S *	11/2016	Tauchi .....	D13/182				604/334
D785,189 S *	4/2017	Dettmar .....	D24/189	2014/0216445 A1 *	8/2014	Persson .....	A61M 16/0465
D786,425 S *	5/2017	Fahl .....	D24/118				128/201.13
D797,067 S *	9/2017	Zhang .....	D13/182	2015/0250639 A1 *	9/2015	Thirstrup .....	A61F 5/445
D797,691 S *	9/2017	Joubert .....	D13/182				604/318
2006/0206069 A1 *	9/2006	Cline .....	A61F 5/445	2015/0306327 A1 *	10/2015	Persson .....	A61M 16/047
			604/337				128/200.26
2009/0163886 A1 *	6/2009	Therkelsen .....	A61F 5/448	2015/0335841 A1 *	11/2015	Fahl .....	A61M 16/0468
			604/342				128/207.14
2011/0118684 A1 *	5/2011	Nguyen-DeMary ....	A61F 5/448	2015/0359658 A1 *	12/2015	Leise, Jr. ....	A61F 5/448
			604/344				604/342
				2016/0302959 A1 *	10/2016	Kavanagh .....	A61F 5/449
				2017/0020712 A1 *	1/2017	Becker .....	A61F 5/443
				2017/0156920 A1 *	6/2017	Hunt .....	A61F 5/448

\* cited by examiner

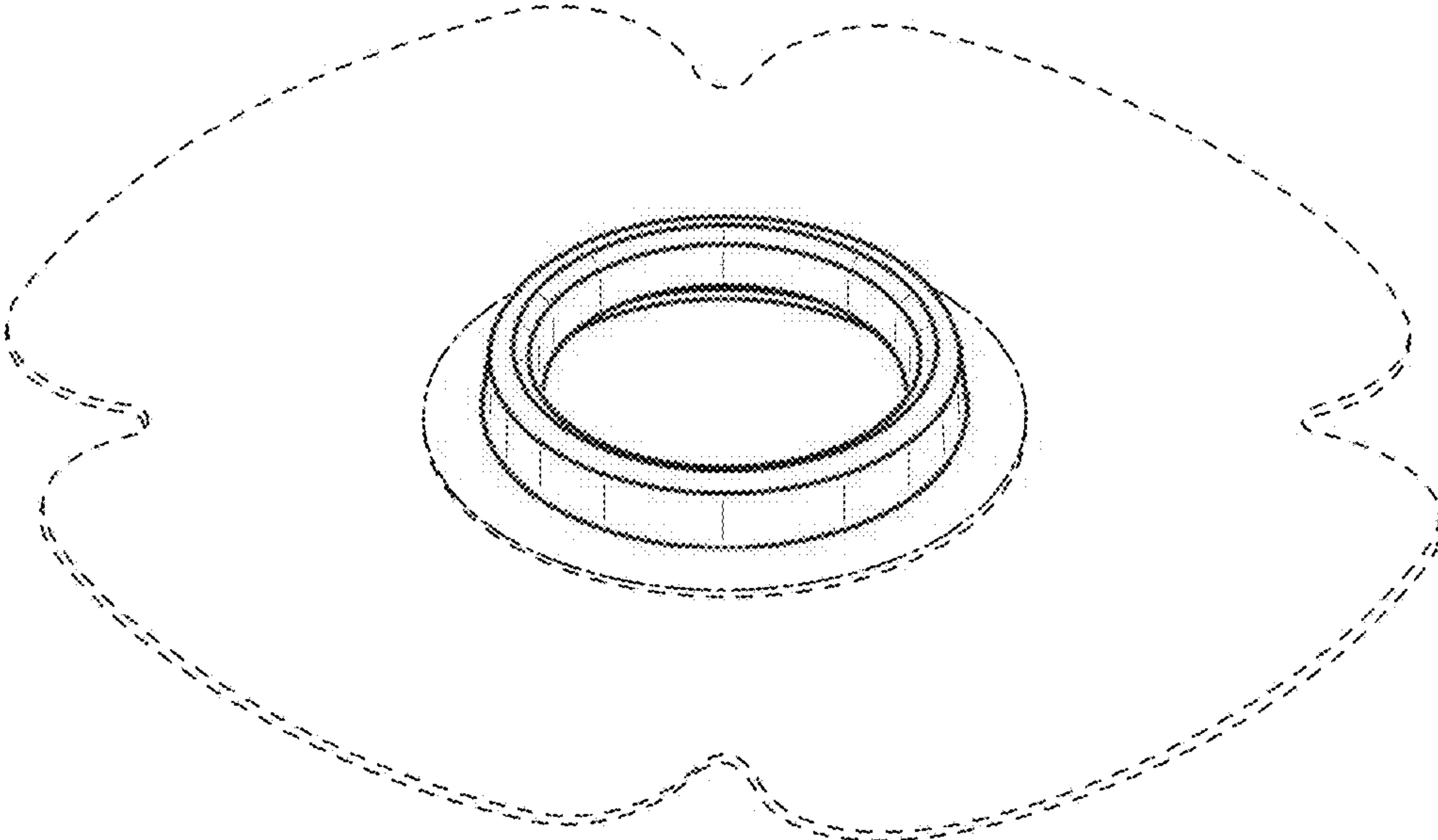


FIG. 1

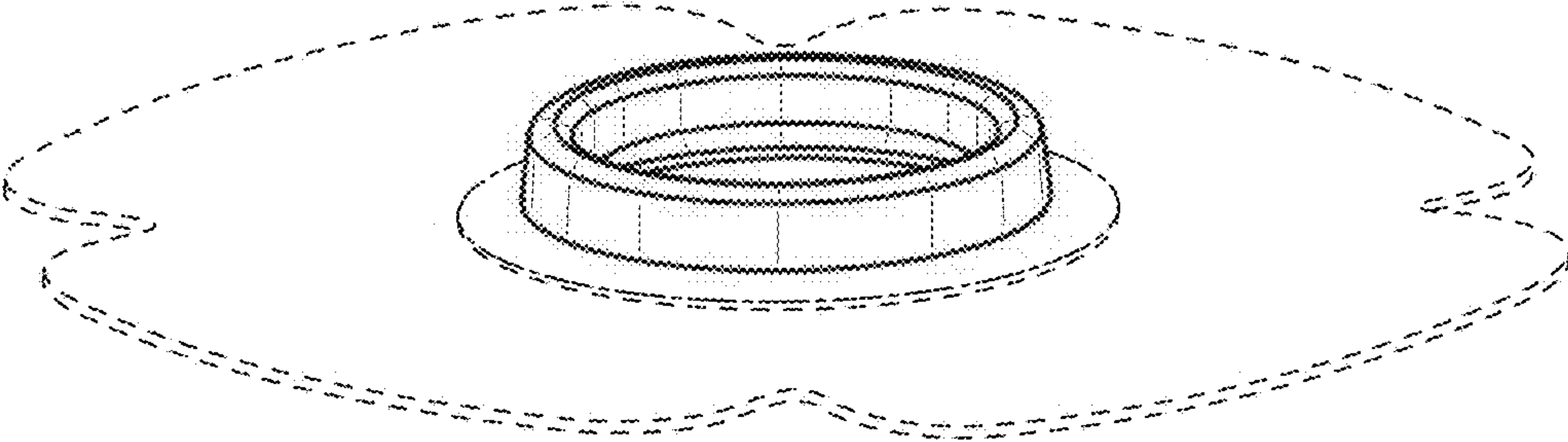


FIG. 2

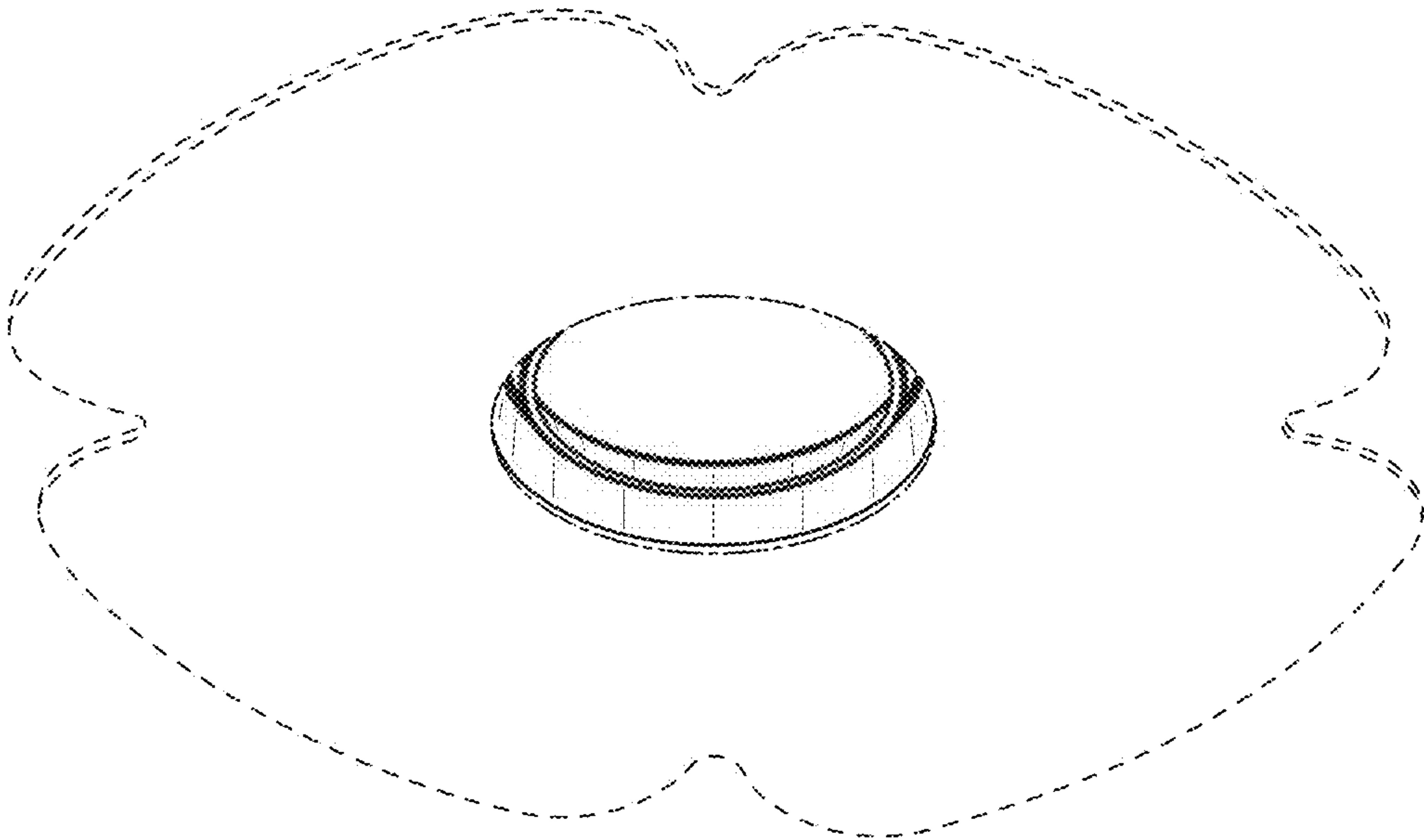


FIG. 3

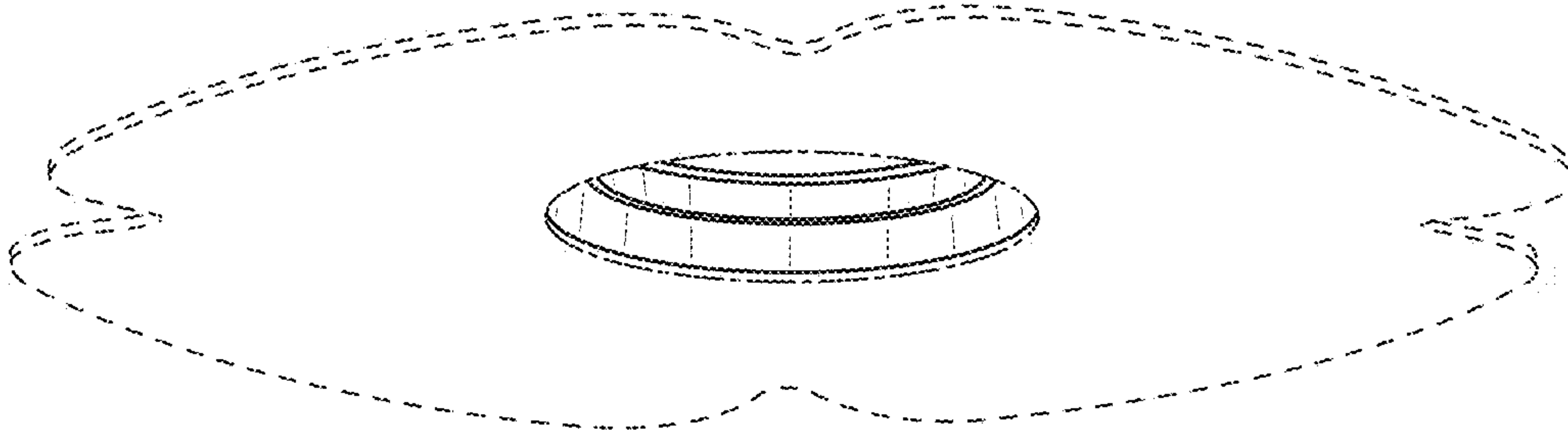
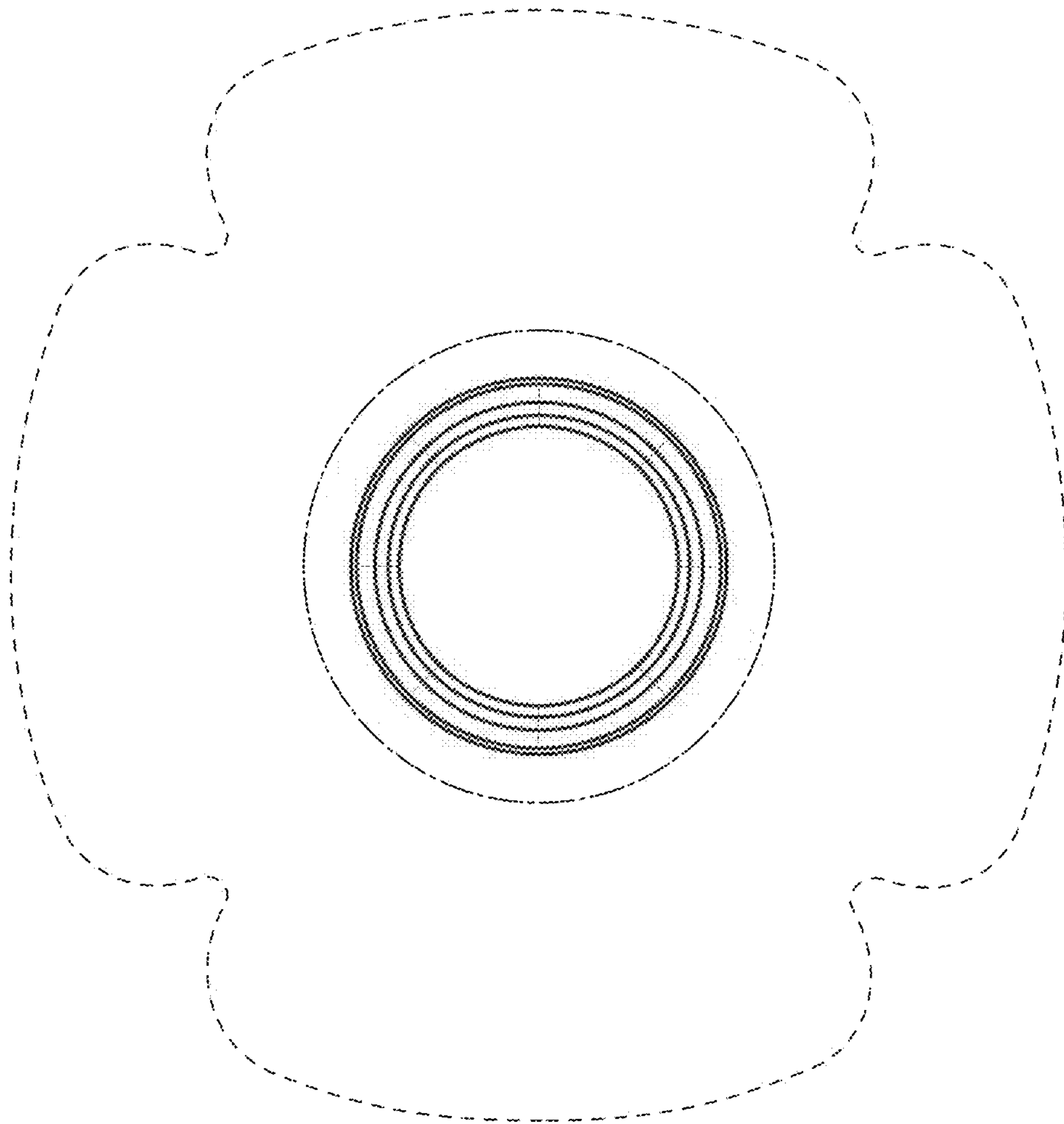
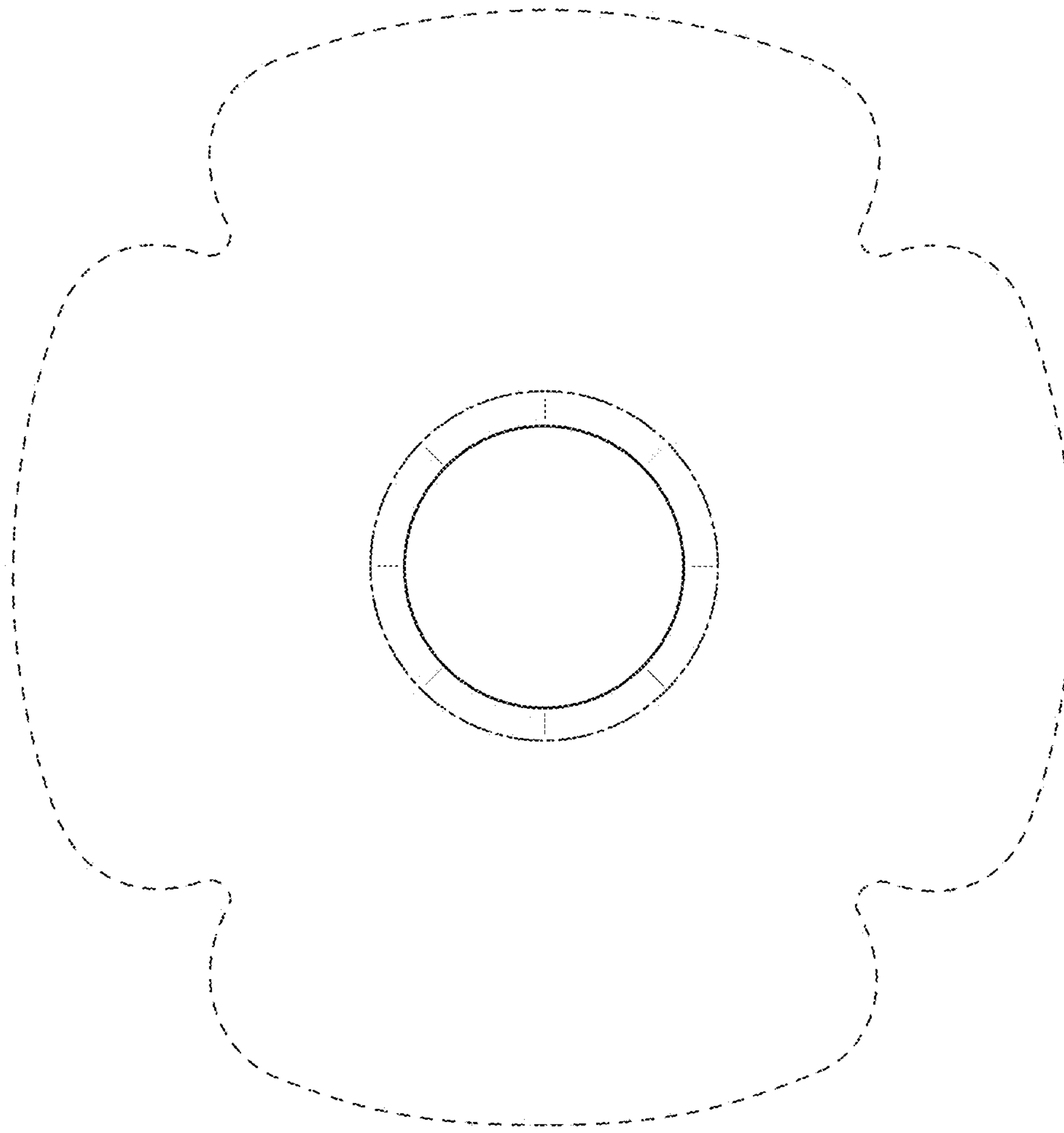


FIG. 4

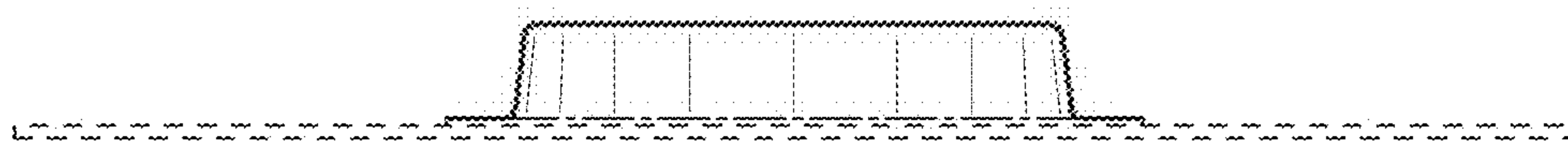


*FIG. 5*





*FIG. 6*



*FIG. 7*