



US00D847979S

(12) **United States Design Patent** (10) **Patent No.:** **US D847,979 S**
Schlueter (45) **Date of Patent:** **** May 7, 2019**

(54) **EMESIS CONTAINER WITH INTEGRAL SPOUTS AND HANDLES**

D782,694 S * 3/2017 Wainwright D24/224
D791,934 S * 7/2017 Lehrman D24/121
D795,698 S * 8/2017 Perdue D24/224
D816,213 S * 4/2018 Adams, III D24/123

(71) Applicant: **Laughing Last Inc.**, Batavia, IL (US)

* cited by examiner

(72) Inventor: **Aimee Schlueter**, Batavia, IL (US)

Primary Examiner — David G Muller

(73) Assignee: **Laughing Last Inc.**, Batavia, IL (US)

(74) *Attorney, Agent, or Firm* — Crawford Intellectual Property Law LLC; Brie A. Crawford

(**) Term: **15 Years**

(21) Appl. No.: **29/663,151**

(57) **CLAIM**

(22) Filed: **Sep. 12, 2018**

The ornamental design for an emesis container with integral spouts and handles, as shown and described.

Related U.S. Application Data

DESCRIPTION

(60) Division of application No. 29/577,600, filed on Sep. 14, 2016, which is a continuation-in-part of application No. 15/264,030, filed on Sep. 13, 2016.

(51) **LOC (11) Cl.** **24-04**

(52) **U.S. Cl.**
USPC **D24/123**

(58) **Field of Classification Search**
USPC D24/121, 123, 224; 604/317–325
CPC B65D 41/04; B65D 2251/023; B65D 41/0485; B65D 41/3428
See application file for complete search history.

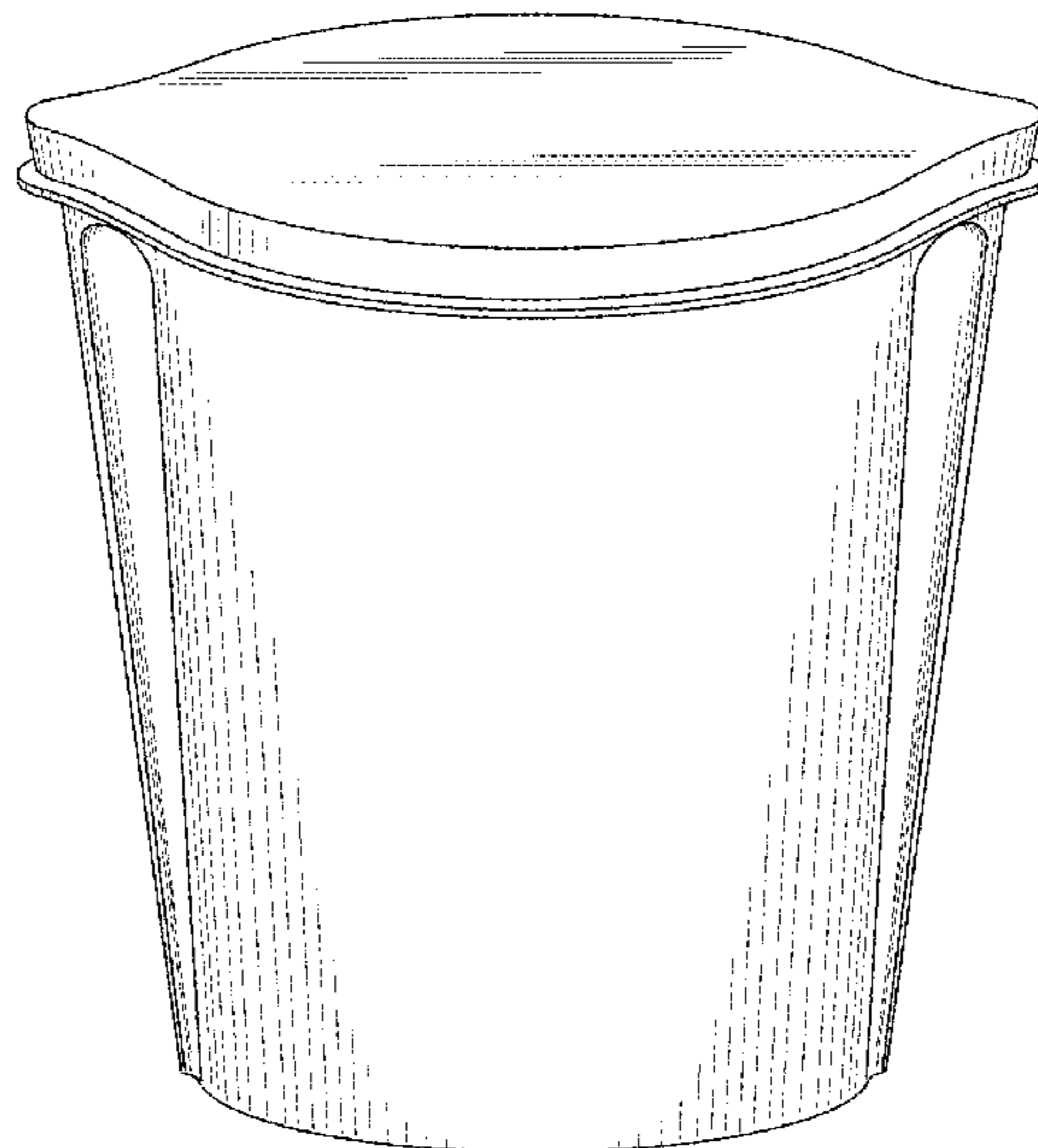
FIG. 1 depicts a front perspective view of the emesis container with integral spouts and handles with a detachable lid showing my new design;
FIG. 2 depicts a front plan view of the emesis container with integral spouts and handles with a detachable lid based on FIG. 1;
FIG. 3 depicts a rear plan view of the emesis container with integral spouts and handles with a detachable lid based on FIG. 1 and the reverse view of FIG. 2;
FIG. 4 depicts a right plan view of the emesis container with integral spouts and handles with a detachable lid based on FIG. 1;
FIG. 5 depicts a left plan view of the emesis container with integral spouts and handles with a detachable lid based on FIG. 1 and the reverse view of FIG. 4;
FIG. 6 depicts a top plan view of the emesis container with integral spouts and handles with a detachable lid based on FIG. 1; and,
FIG. 7 depicts a bottom plan view of the emesis container with integral spouts and handles with a detachable lid based on FIG. 1 and the reverse view of FIG. 6.

(56) **References Cited**

U.S. PATENT DOCUMENTS

D363,343 S * 10/1995 Azimi-Bolourian D23/309
D435,906 S * 1/2001 Wilkinson D24/121
6,244,311 B1 * 6/2001 Hand A61M 1/0001
141/330
D557,413 S * 12/2007 Buermann D24/123
D644,739 S * 9/2011 Belfance D24/224
D717,469 S * 11/2014 Nemeth D24/224
D734,866 S * 7/2015 Maier D24/224
D766,427 S * 9/2016 Kurov D24/121
D776,807 S * 1/2017 Chacchia D24/121

1 Claim, 4 Drawing Sheets



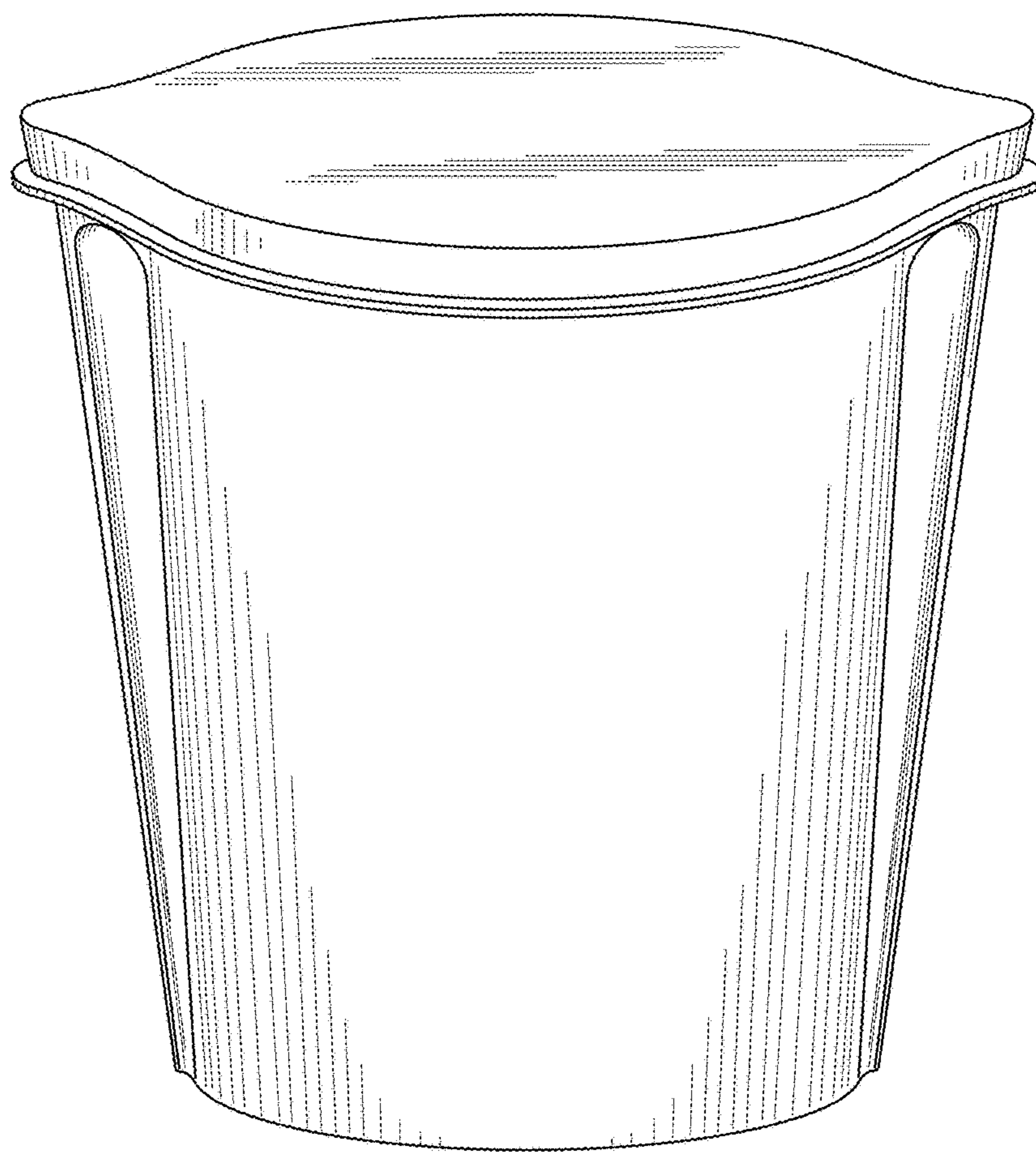


FIG. 1

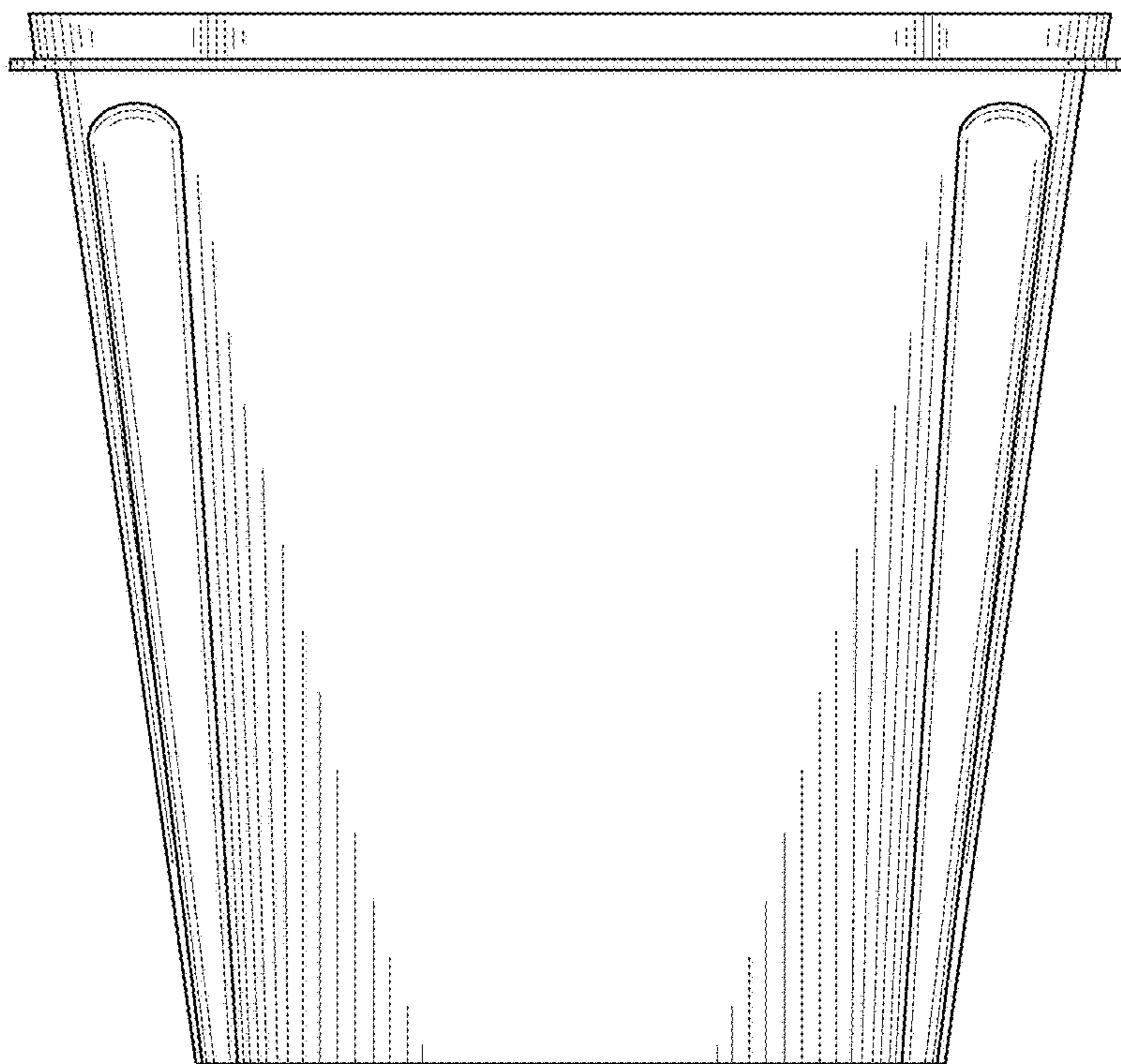


FIG. 2

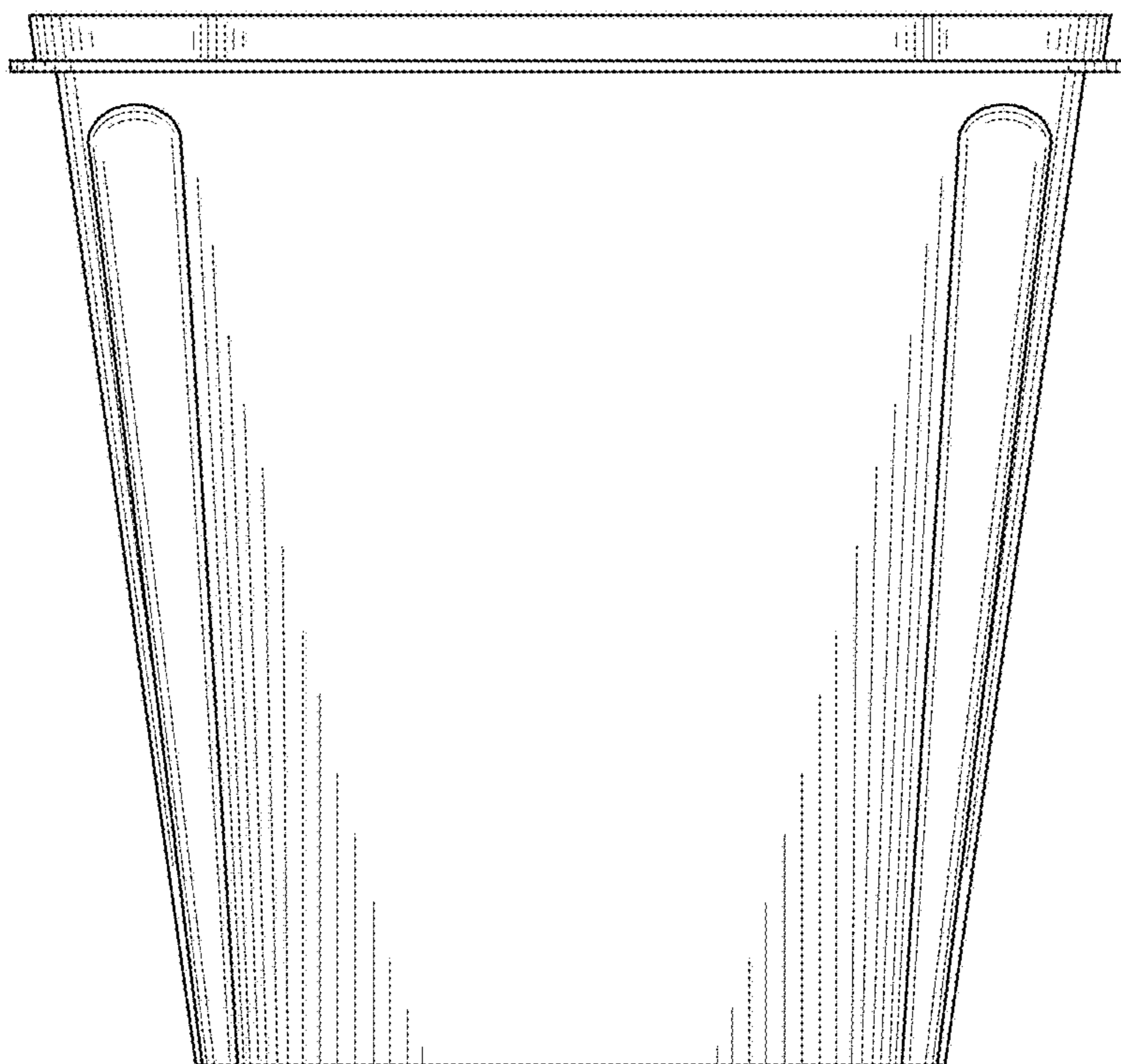


FIG. 3

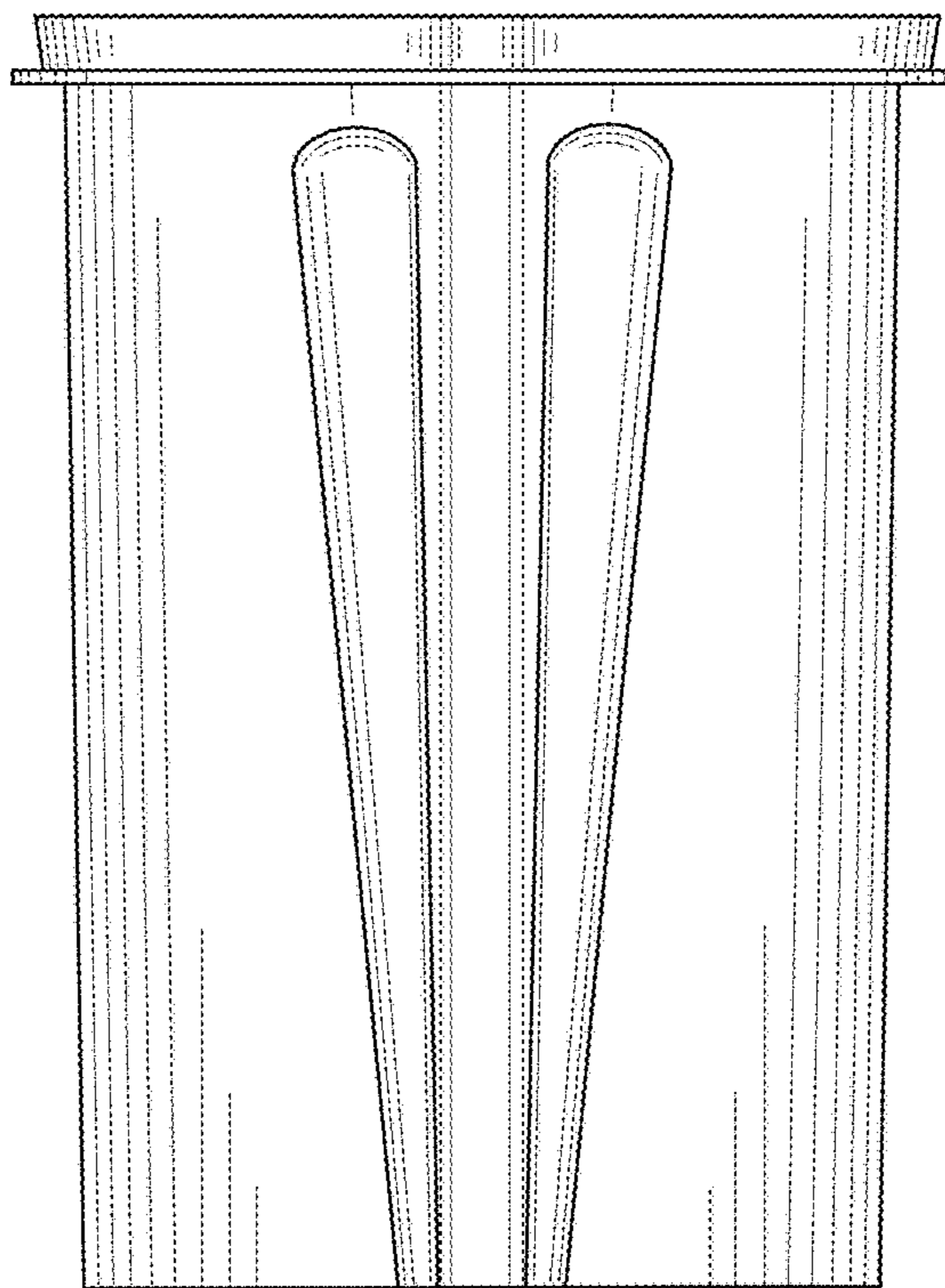


FIG. 4

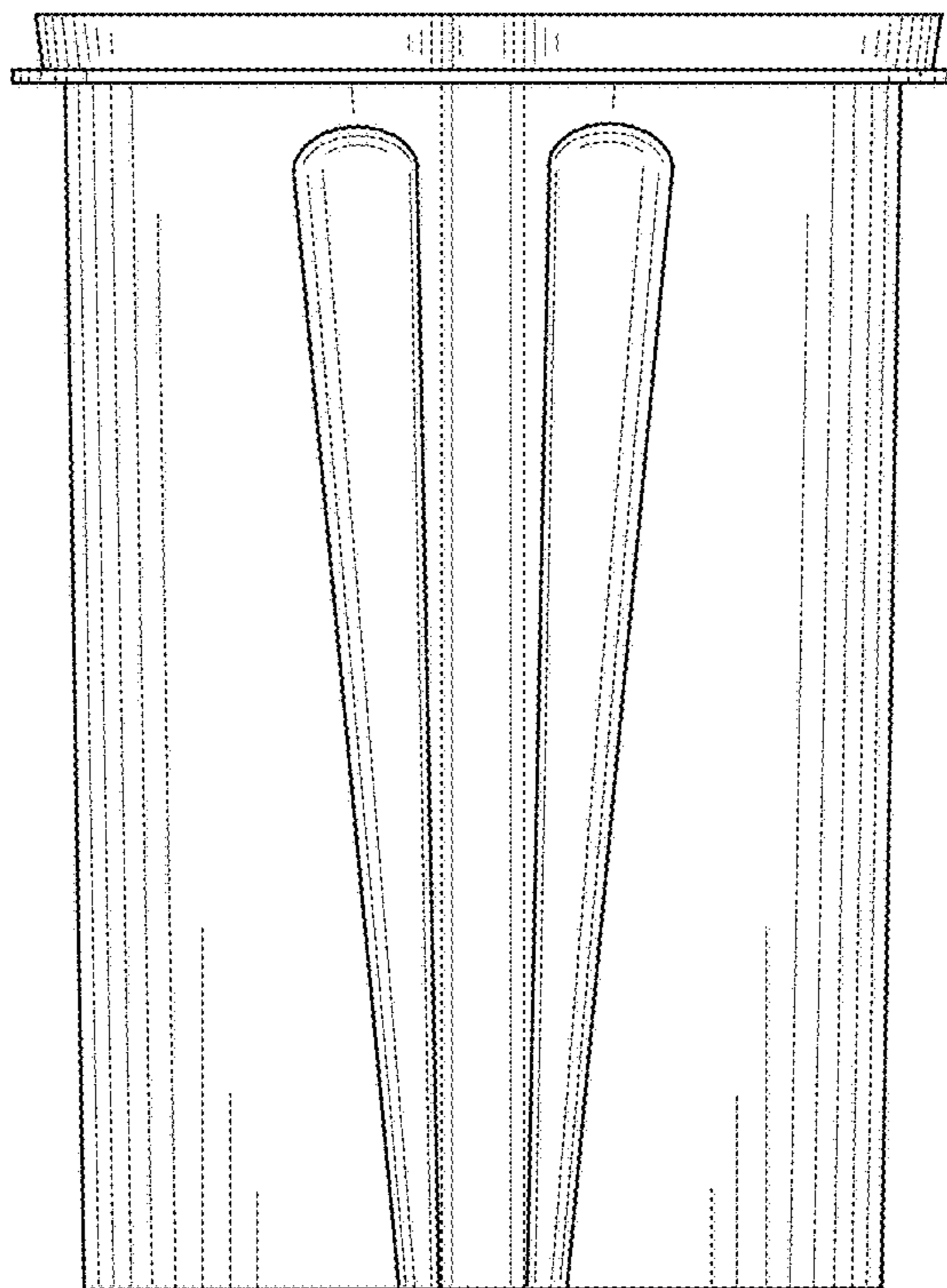


FIG. 5

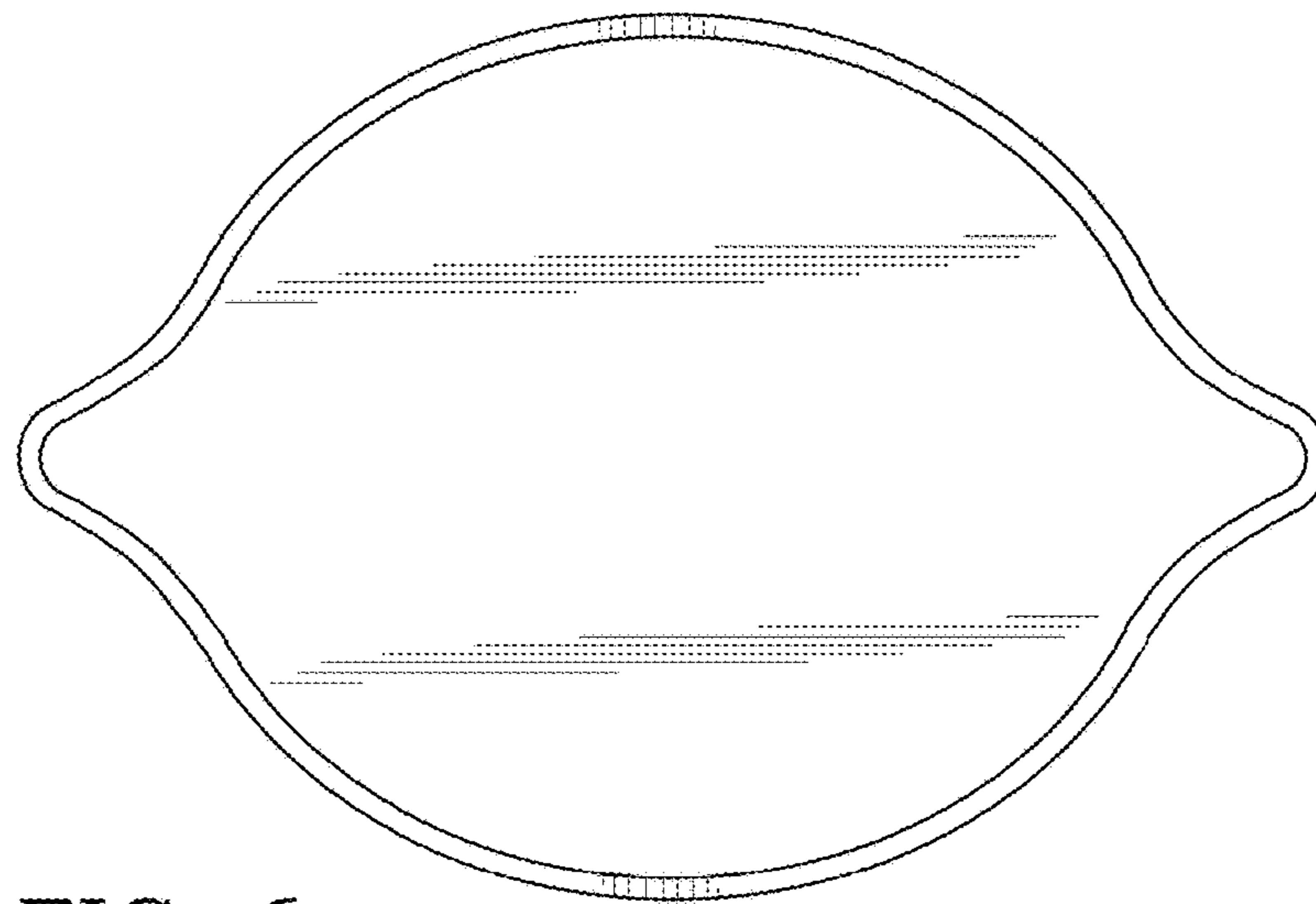


FIG. 6

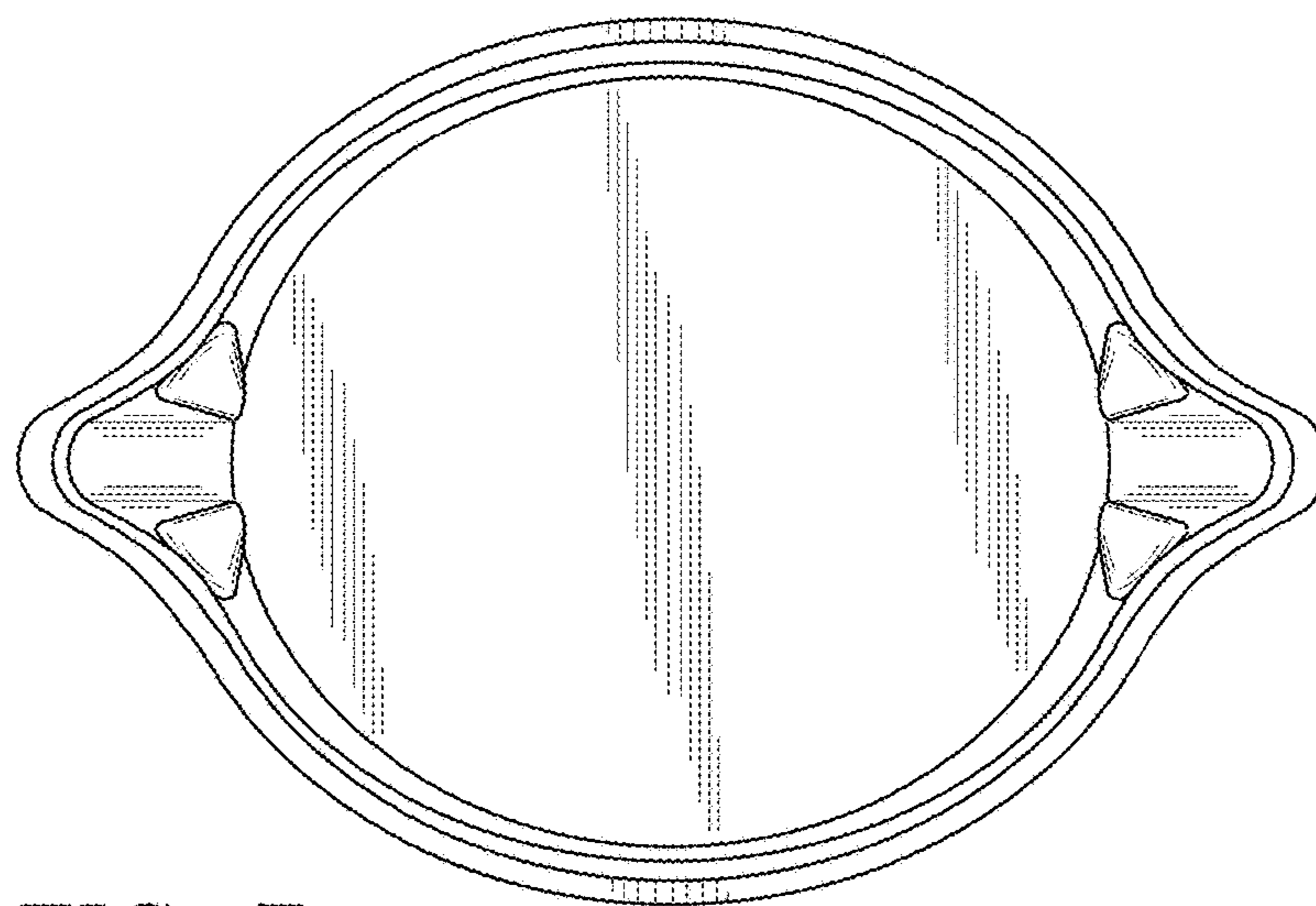


FIG. 7