

US00D847974S

(12) **United States Design Patent**
McNall, III et al.

(10) **Patent No.:** **US D847,974 S**
(45) **Date of Patent:** **** May 7, 2019**

(54) **TWO BOTTLE ENCLOSED DESKTOP DISPENSER**

(71) Applicant: **BioQ Pharma Inc.**, San Francisco, CA (US)

(72) Inventors: **Ralph I. McNall, III**, Belmont, CA (US); **Thomas T. Donze**, South San Francisco, CA (US); **Serena Joshi**, South San Francisco, CA (US)

(**) Term: **15 Years**

(21) Appl. No.: **29/617,223**

(22) Filed: **Sep. 12, 2017**

(51) **LOC (11) Cl.** **24-02**

(52) **U.S. Cl.**
USPC **D24/111**

(58) **Field of Classification Search**
USPC D24/107, 108, 111, 220, 224, 231
CPC .. A61M 5/14244; A61M 5/142; A61M 5/172;
A61M 2005/14268; A61M 5/1413; A61M
5/1407; A61M 5/1408; A61M 5/1409;
A61M 5/14; G06F 19/00; G06F 19/3468
See application file for complete search history.

(56) **References Cited**

U.S. PATENT DOCUMENTS

D348,101 S *	6/1994	Poli	D24/108
D457,949 S *	5/2002	Krug	D24/111
D586,463 S *	2/2009	Evans	D24/111
D669,096 S *	10/2012	Katsura	D15/7
D709,183 S *	7/2014	Kemlein	D24/111
D737,956 S *	9/2015	Marshall	D24/111
D752,736 S *	3/2016	Chandrasenan	D24/111
D770,034 S *	10/2016	McNall, III	D24/108
D801,519 S *	10/2017	Sabin	D24/108
2011/0133946 A1 *	6/2011	Kopp	A61M 5/142 340/679

2011/0137239 A1 *	6/2011	DeBelser	A61M 5/14244 604/67
2014/0257178 A1 *	9/2014	Lee	A61M 5/16831 604/67
2016/0199568 A1 *	7/2016	McNall, III	A61M 5/142 604/67
2017/0028126 A1 *	2/2017	Moosai	A61M 5/14228

OTHER PUBLICATIONS

BioQ Pharma: Our Focus. Copyright 2018. Retrieved from Internet: <<https://www.bioqpharma.com/our-focus/>> (Year: 2018).*

* cited by examiner

Primary Examiner — Lilyana Bekic

(74) *Attorney, Agent, or Firm* — Thomas W. Galvani, P.C.; Thomas W. Galvani

(57) **CLAIM**

The ornamental design for a two bottle enclosed desktop dispenser, as shown and described.

DESCRIPTION

FIG. 1 is a front perspective view of a two bottle enclosed desktop dispenser shown in accordance with our new design;

FIG. 2 is another front perspective view thereof;

FIG. 3 is a left side elevation view thereof;

FIG. 4 is a right side elevation view thereof;

FIG. 5 is a front elevation view thereof;

FIG. 6 is a rear elevation view thereof;

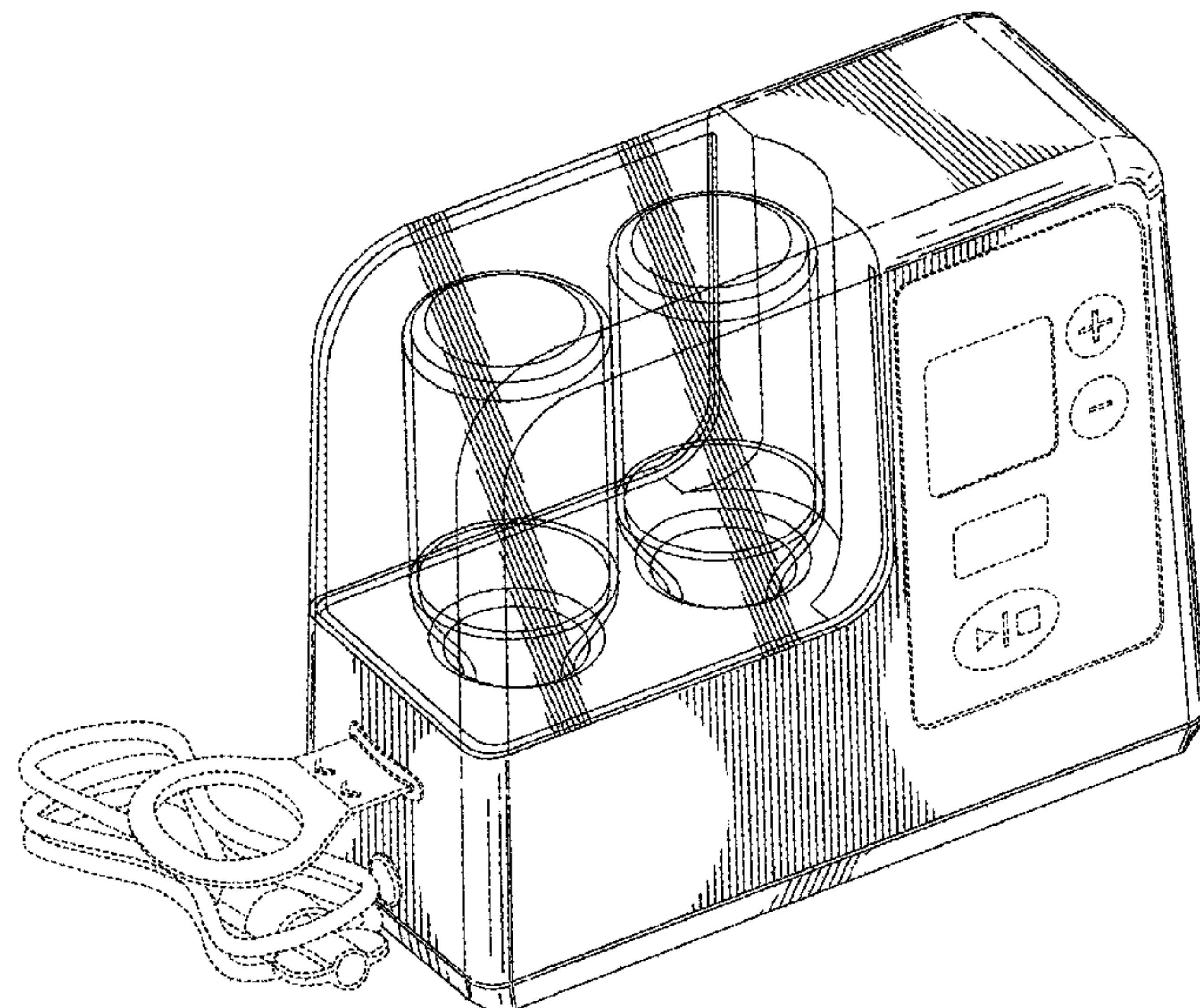
FIG. 7 is a top plan view thereof;

FIG. 8 is a bottom plan view thereof; and,

FIG. 9 is an exploded front perspective view thereof.

The broken lines in the drawings depict portions of the two bottle enclosed desktop dispenser that form no part of the claimed design.

1 Claim, 9 Drawing Sheets



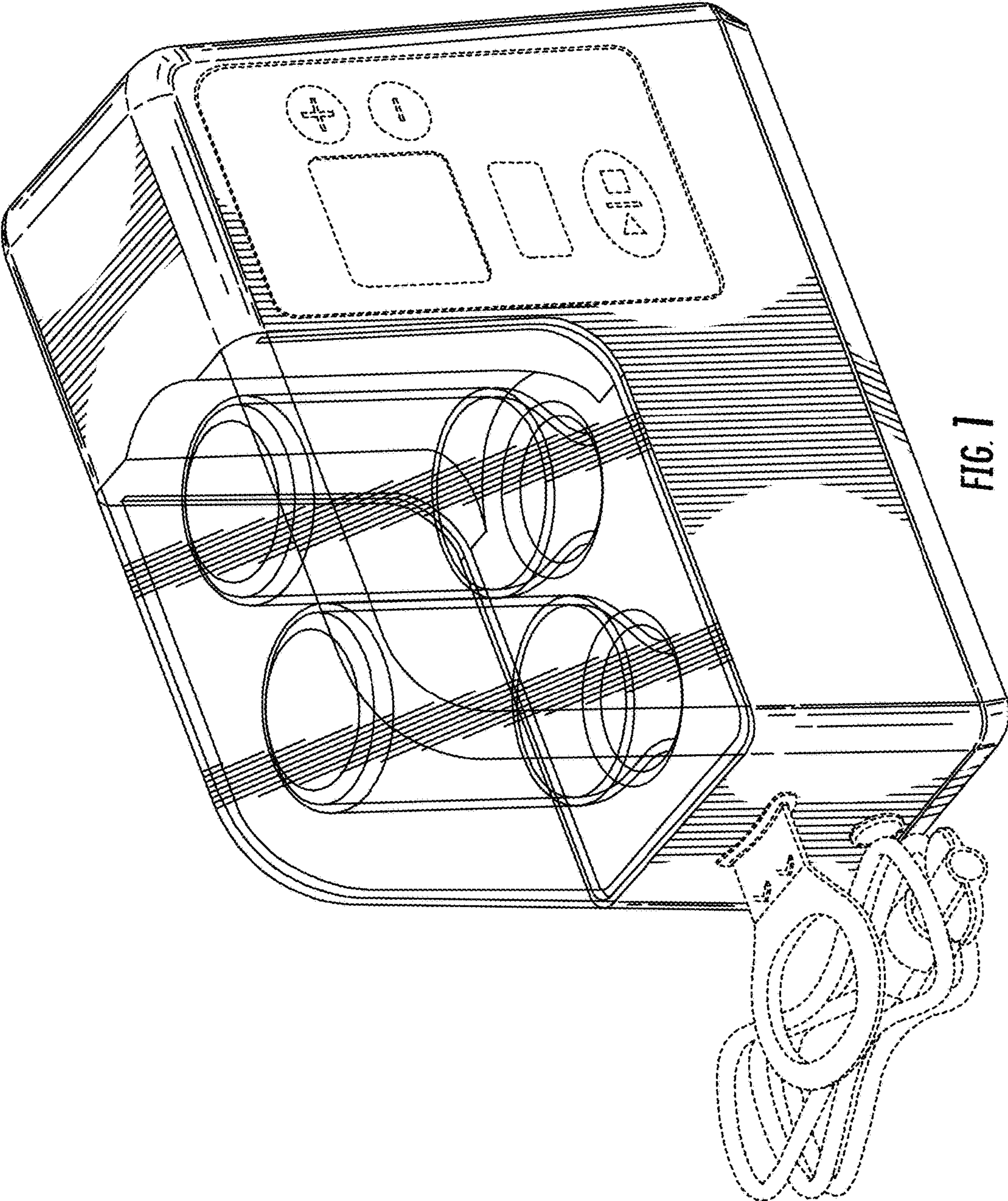


FIG. 1

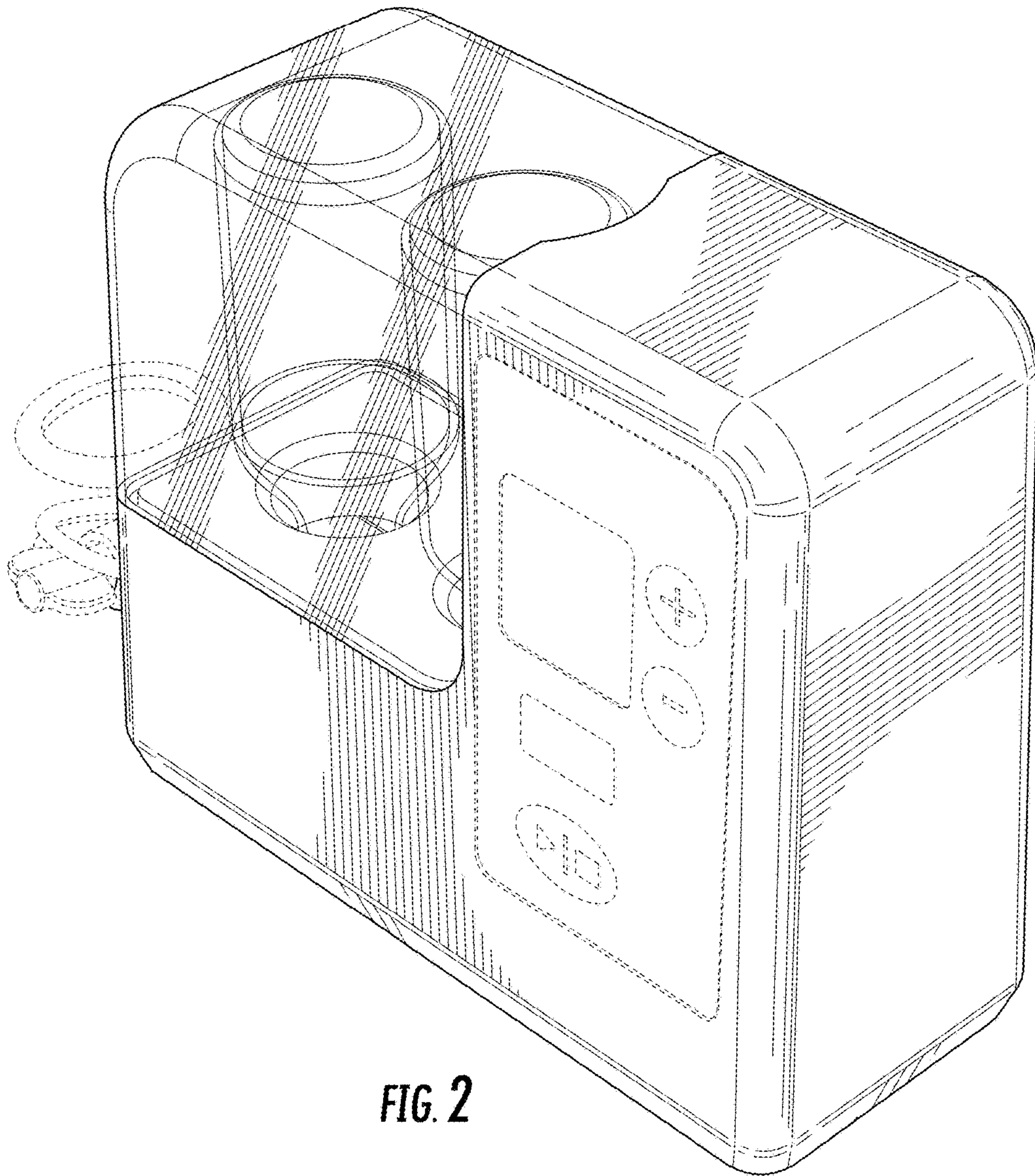


FIG. 2

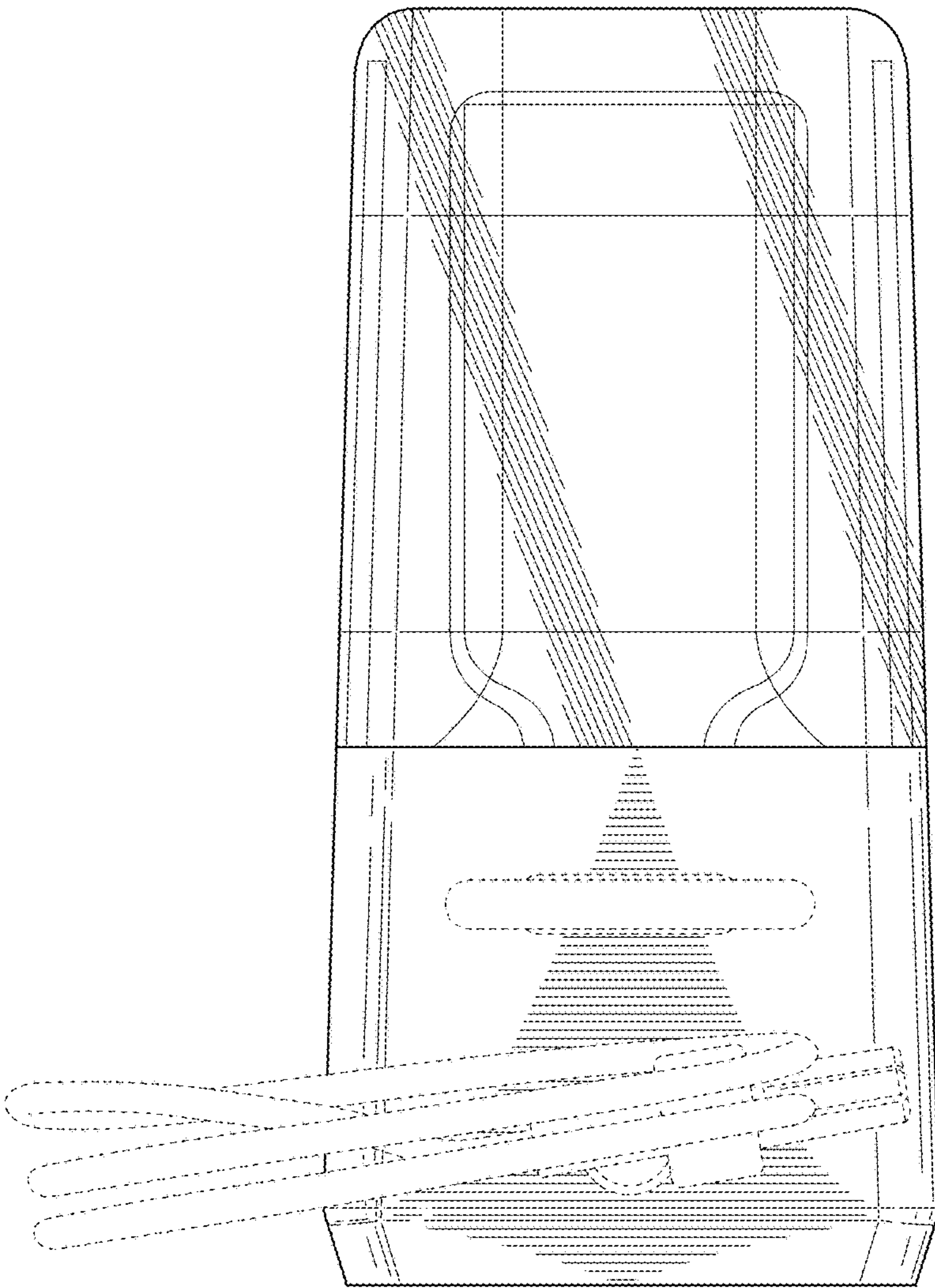


FIG. 3

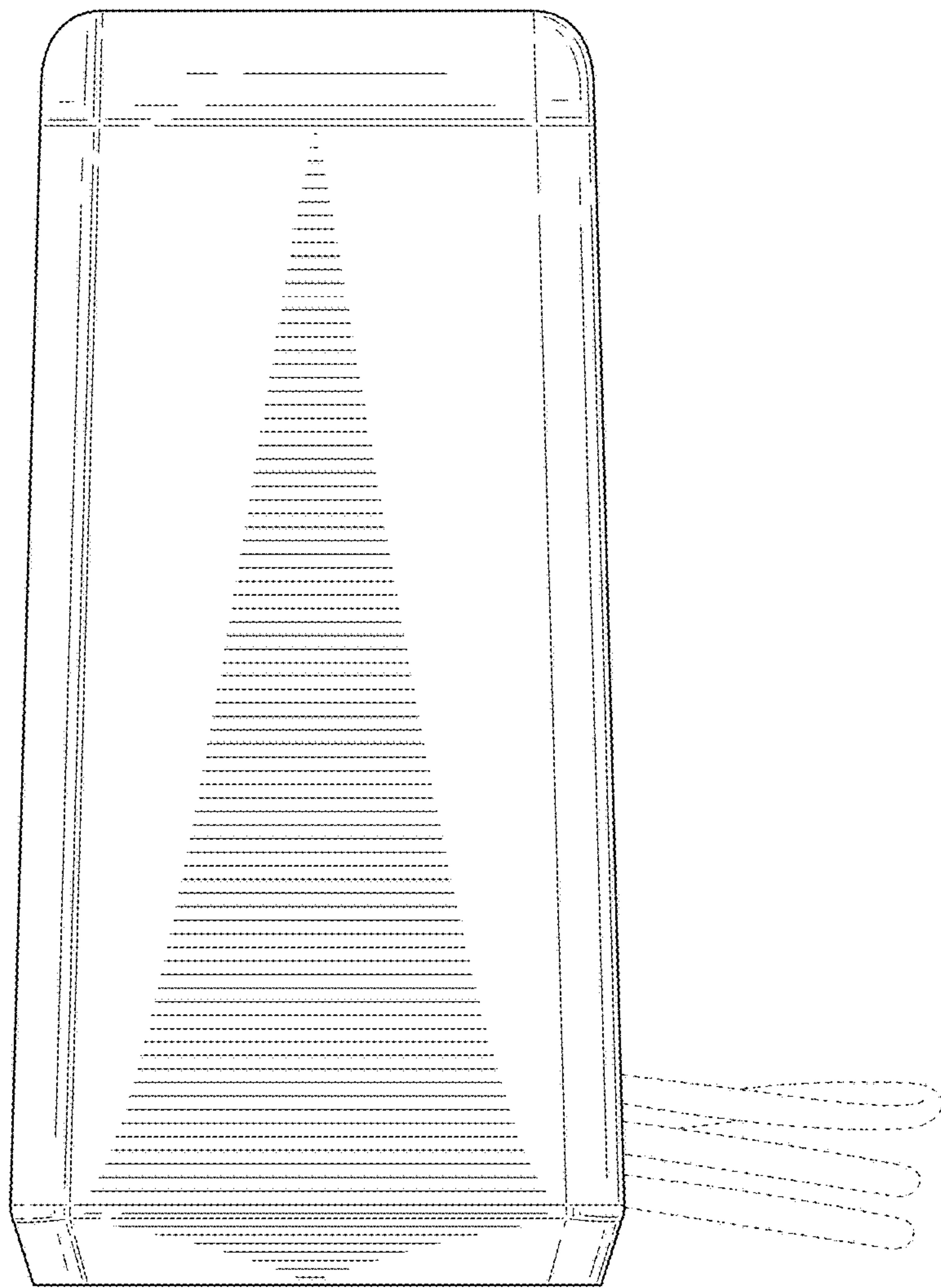


FIG. 4

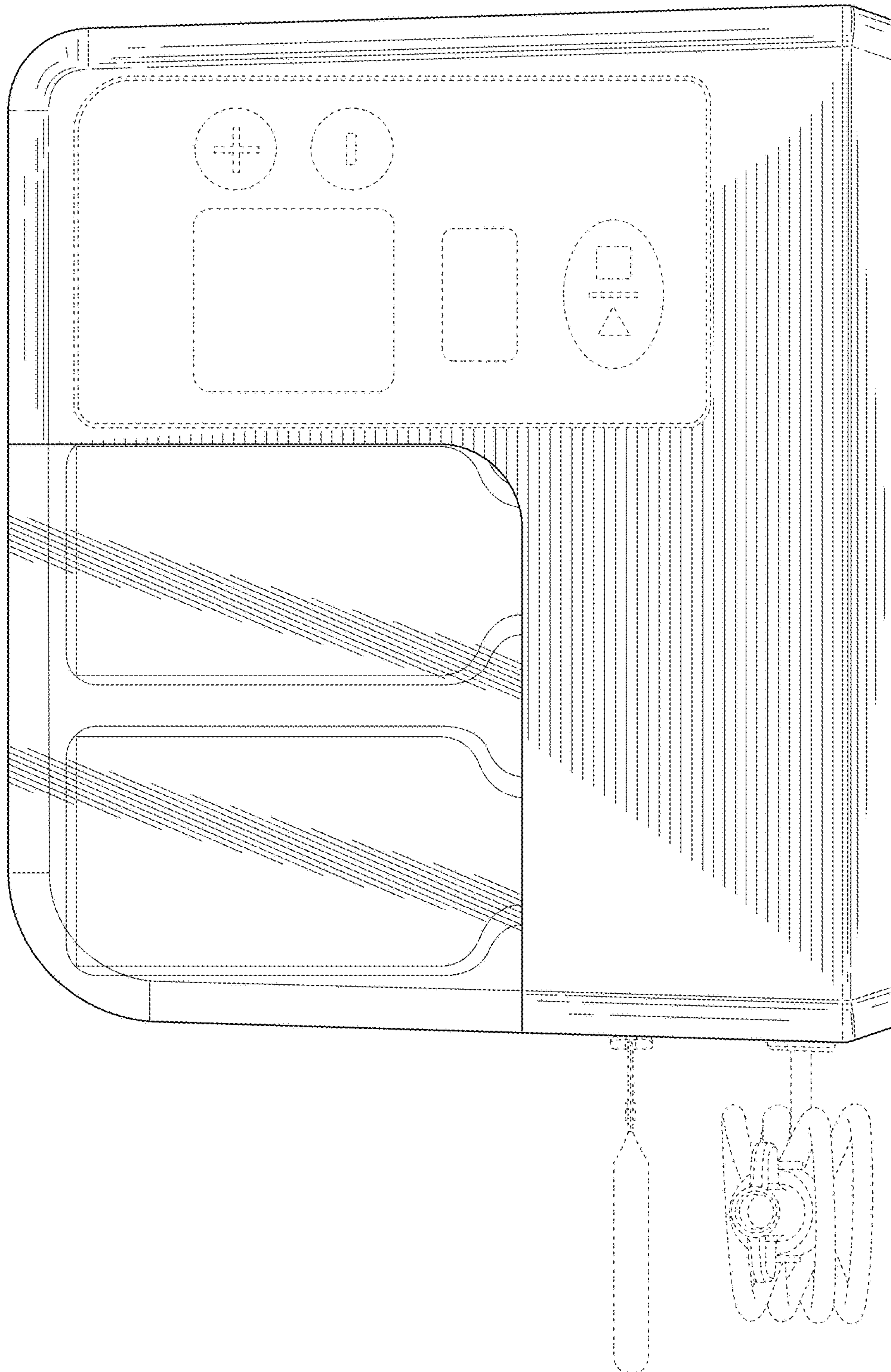


FIG. 5

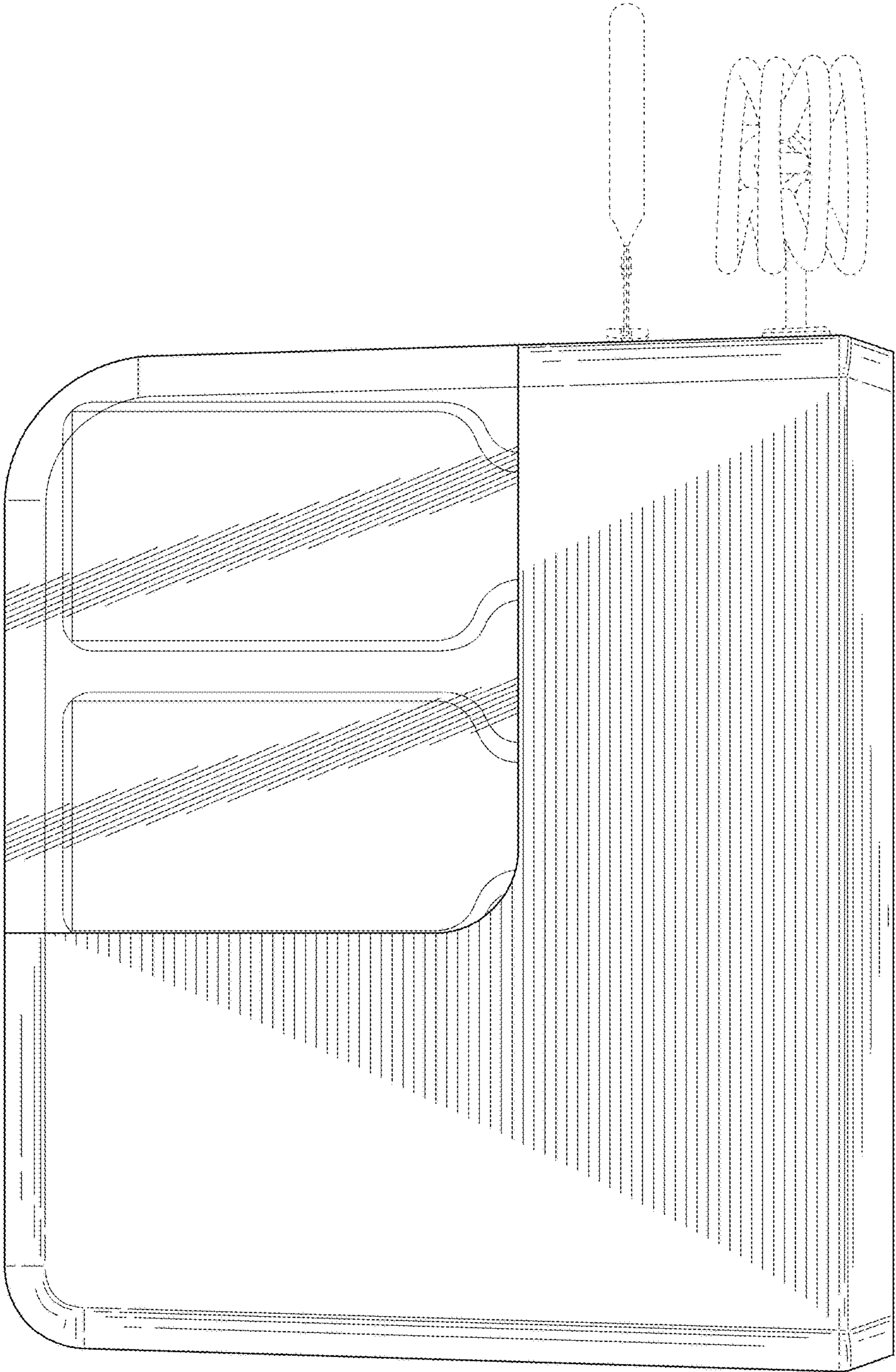


FIG. 6

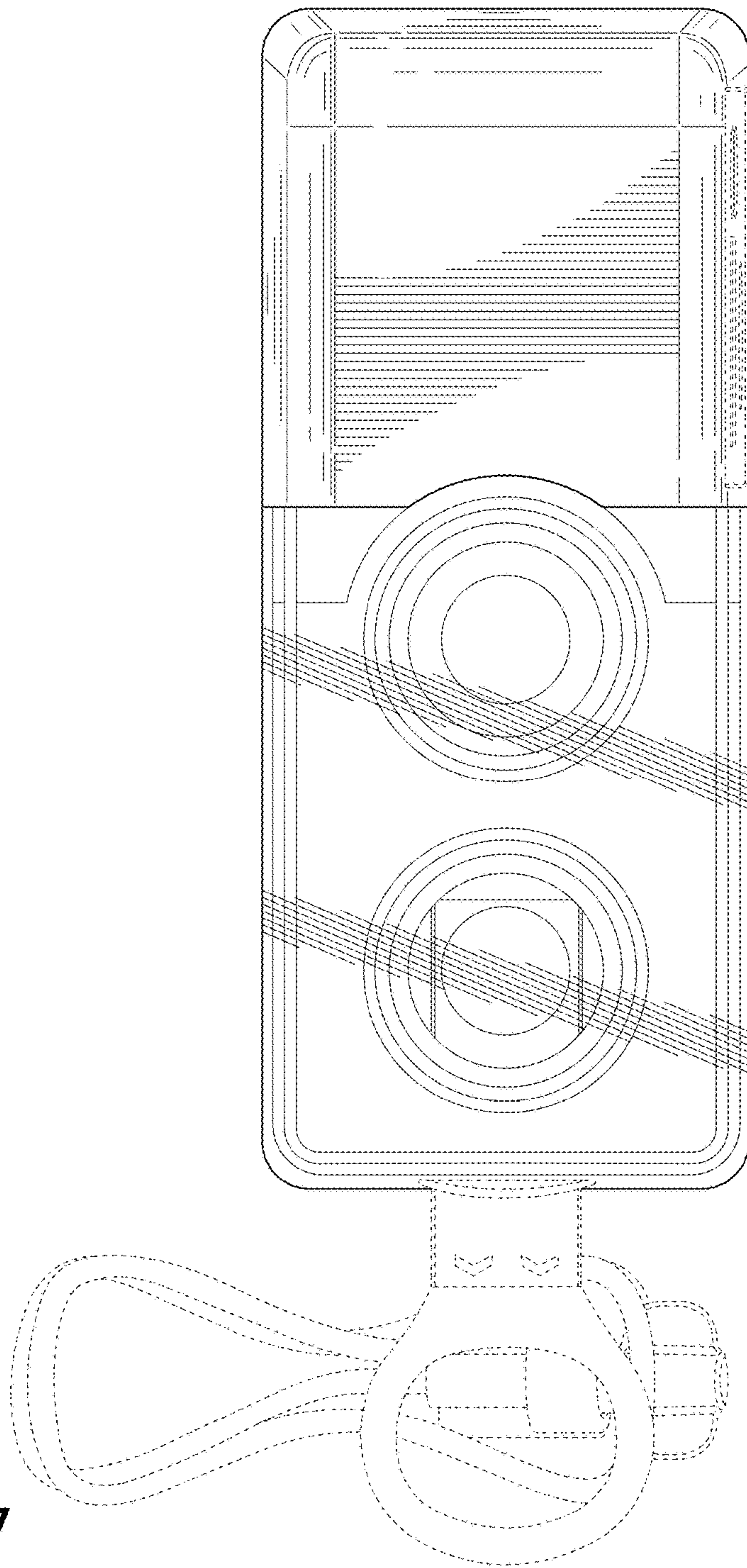


FIG. 7

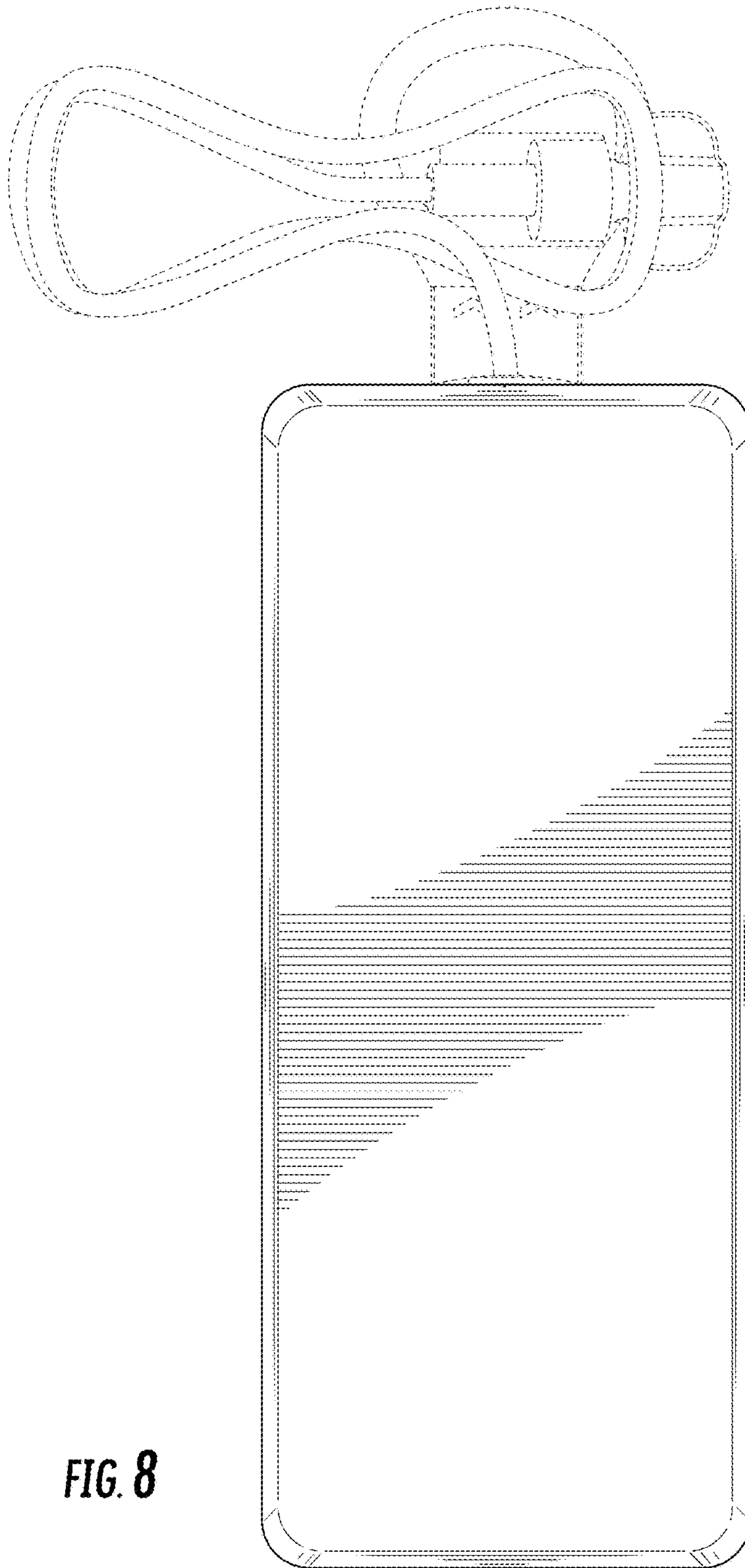


FIG. 8

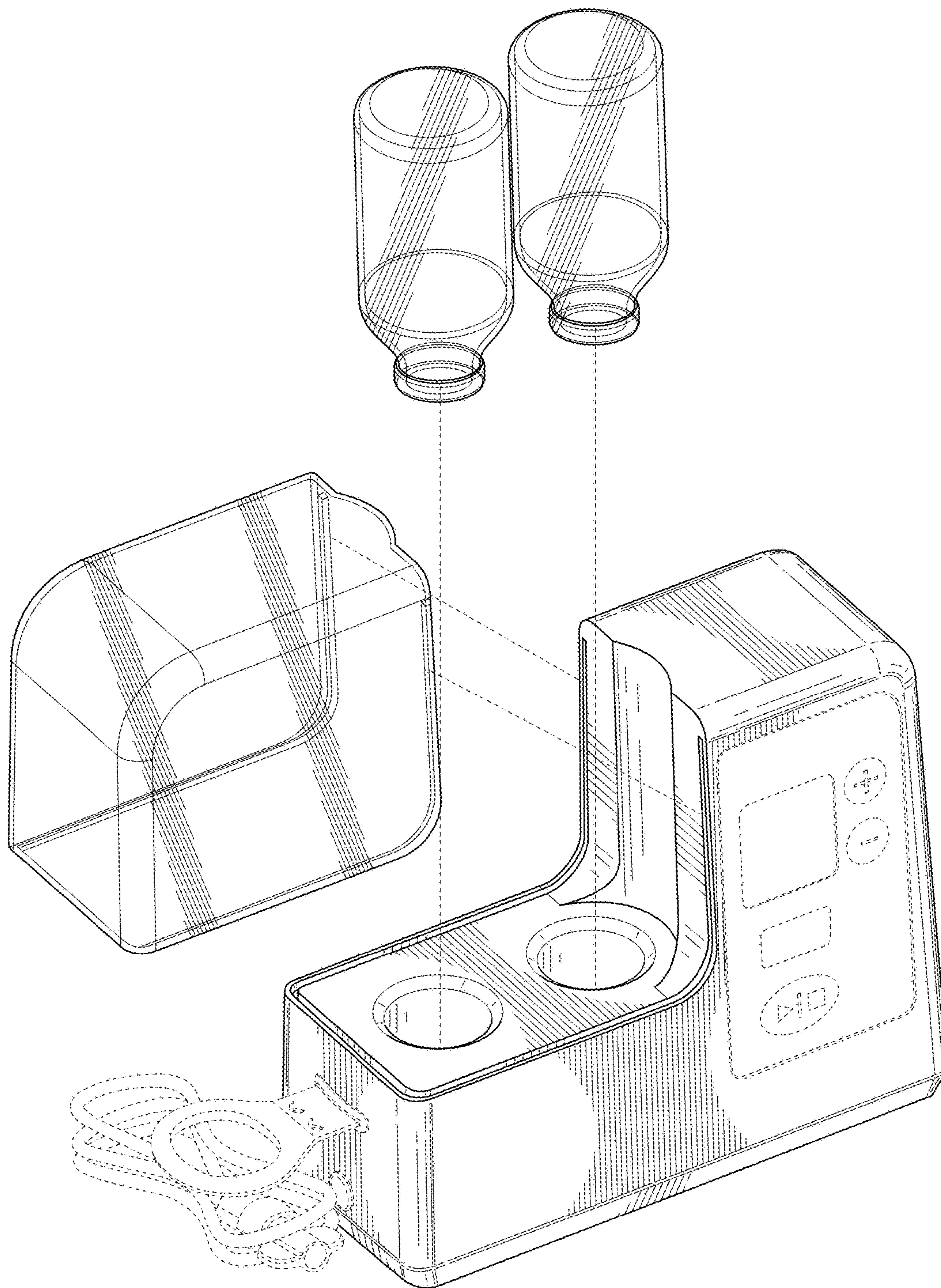


FIG. 9