



US00D847973S

(12) **United States Design Patent**
Haeger

(10) **Patent No.:** **US D847,973 S**

(45) **Date of Patent:** **** May 7, 2019**

(54) **INHALER**

(71) Applicant: **RPC Formatec GmbH**, Mellrichstadt (DE)

(72) Inventor: **Anne Haeger**, Lohne (DE)

(73) Assignee: **RPC Formatec GmbH**, Mellrichstadt (DE)

(**) Term: **15 Years**

(21) Appl. No.: **29/624,601**

(22) Filed: **Nov. 2, 2017**

(30) **Foreign Application Priority Data**

May 3, 2017 (EM) 003931294

(51) **LOC (11) Cl.** **29-02**

(52) **U.S. Cl.**
USPC **D24/110**

(58) **Field of Classification Search**
USPC D24/107, 108, 110, 110.1-110.5, 127,
D24/164; D29/108; 128/200.14, 200.23
CPC A61M 15/0085; A61M 15/0005; A61M
15/00; A61M 15/0065; A61M 15/0091;
A61M 15/0021; A61M 15/0026; A61M
15/008; A61M 15/007; A61M 11/005;
A61M 11/00; A61M 11/02; A61M 11/04;
A61M 5/087; A61M 5/0871; A61M
5/091; A61M 5/097; A63B 23/18
See application file for complete search history.

(56) **References Cited**

U.S. PATENT DOCUMENTS

D355,029 S * 1/1995 Kinneir D24/110
D379,506 S * 5/1997 Maher D24/110
D452,910 S * 1/2002 Braithwaite D24/110
D560,793 S * 1/2008 Pearl D24/110

D576,724 S * 9/2008 Jensen D24/110
D613,848 S * 4/2010 Harvey D24/110
D614,024 S * 4/2010 Eason D24/110
D623,054 S * 9/2010 Eason D24/110
D636,073 S * 4/2011 White D24/110
D637,280 S * 5/2011 Harvey D24/110
D637,281 S * 5/2011 Harvey D24/110
D637,282 S * 5/2011 Harvey D24/110
D645,734 S * 9/2011 Eason D24/110
D683,844 S * 6/2013 Andrade D24/110
D693,458 S * 11/2013 Wright D24/110
D739,522 S * 9/2015 Von Schuckmann D24/110
D744,087 S * 11/2015 Bilgic D24/110
D781,412 S * 3/2017 Wiczorek D24/110.5
D789,517 S * 6/2017 Bhide D24/110
2008/0202515 A1 * 8/2008 Hodson A61M 15/0045
128/203.21

* cited by examiner

Primary Examiner — Lilyana Bekic

Assistant Examiner — Aula Soroush

(74) *Attorney, Agent, or Firm* — Collard & Roe, P.C.

(57) **CLAIM**

The ornamental design for an inhaler, as shown and described.

DESCRIPTION

FIG. 1 is a right side view of an inhaler, showing my new design;
FIG. 2 is a rear view thereof;
FIG. 3 is a left side view thereof;
FIG. 4 is a front view thereof;
FIG. 5 is a top view thereof;
FIG. 6 is a bottom view thereof;
FIG. 7 is a top, right side and rear perspective view thereof;
FIG. 8 is an enlarged detail view of line 8 in FIG. 7; and,
FIG. 9 is an enlarged detail view of line 9 in FIG. 7.
The features shown in broken lines in FIG. 6 show portions of the inhaler that form no part of the claimed design.

1 Claim, 9 Drawing Sheets

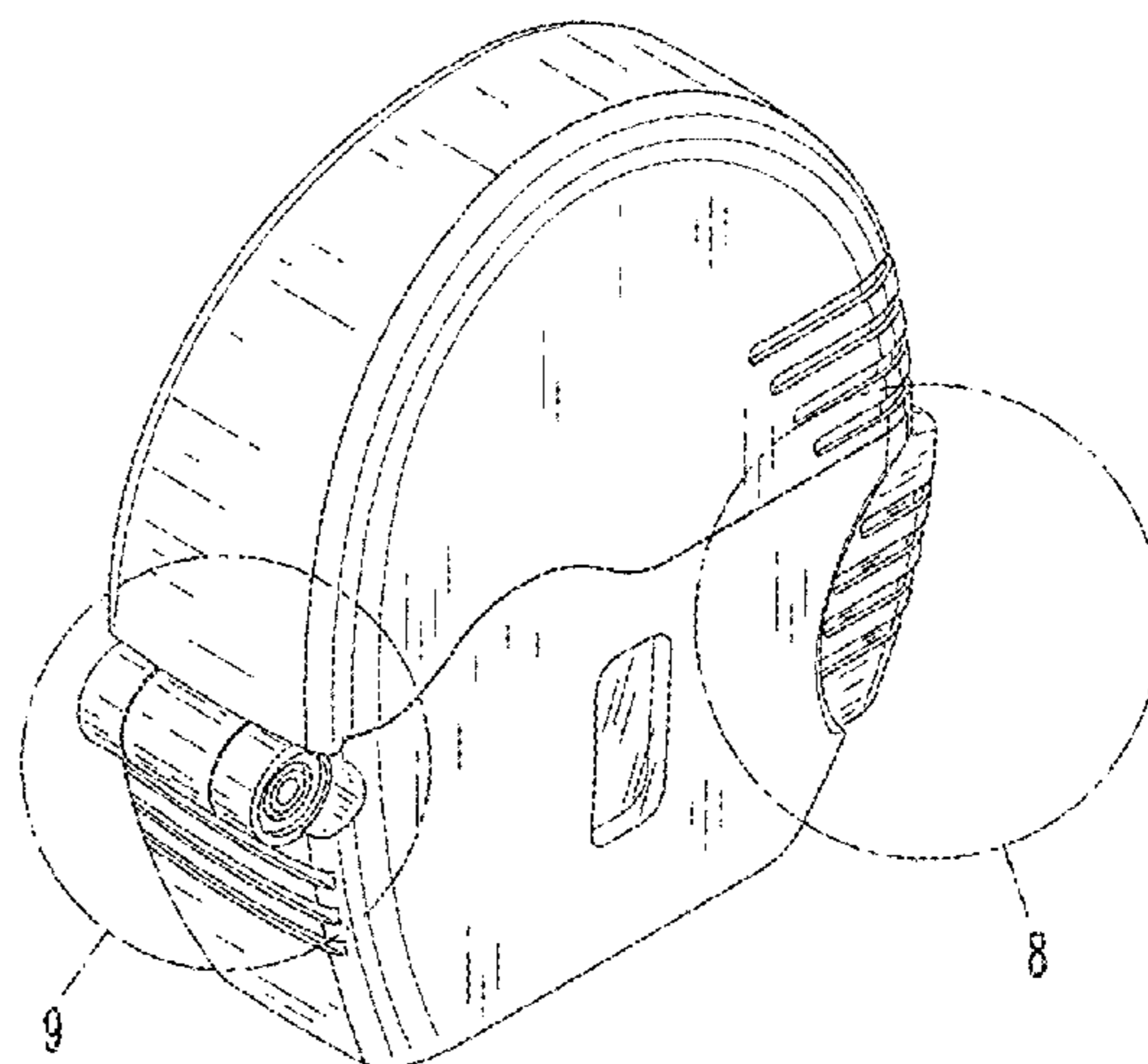
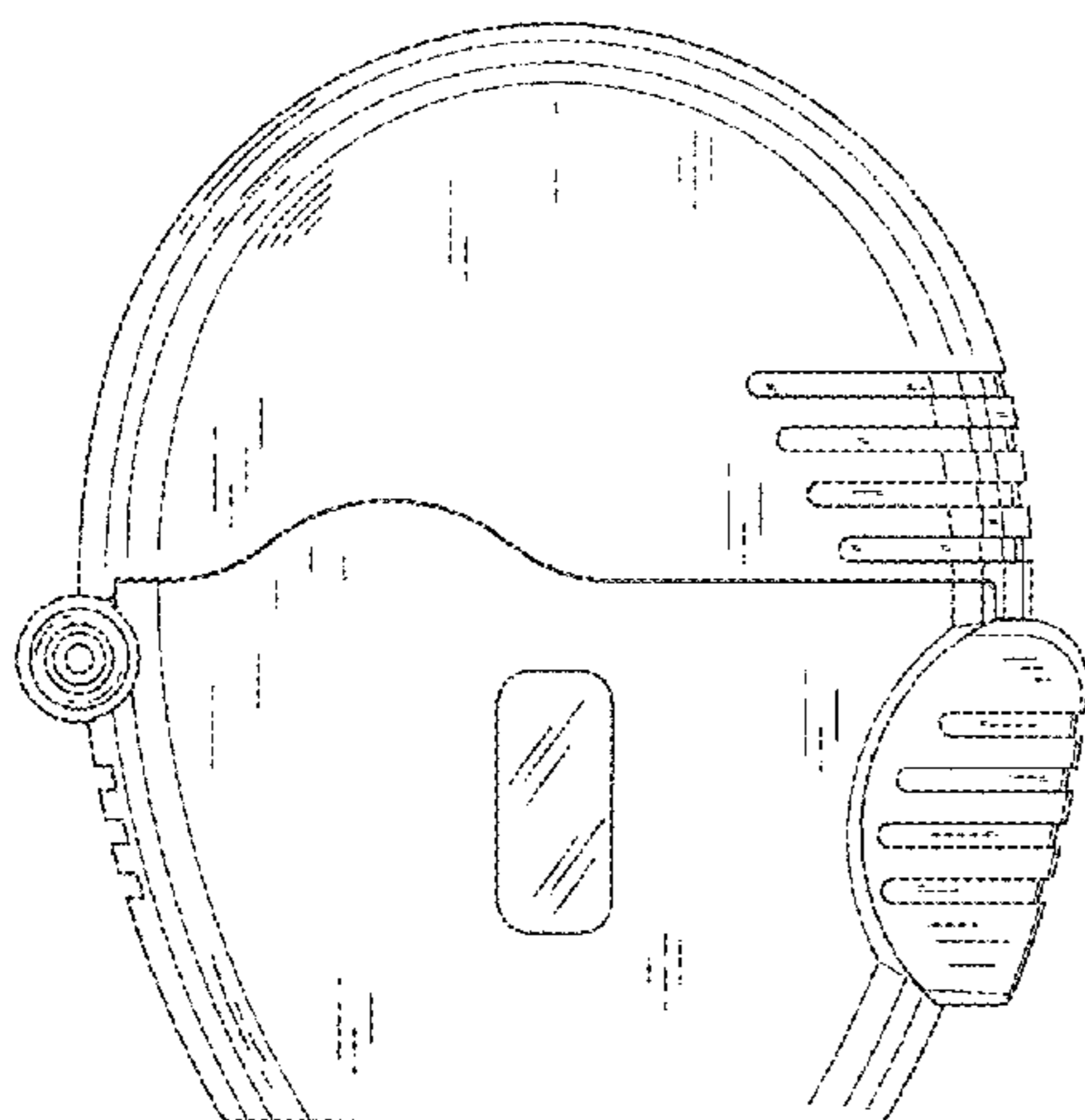


Fig. 1

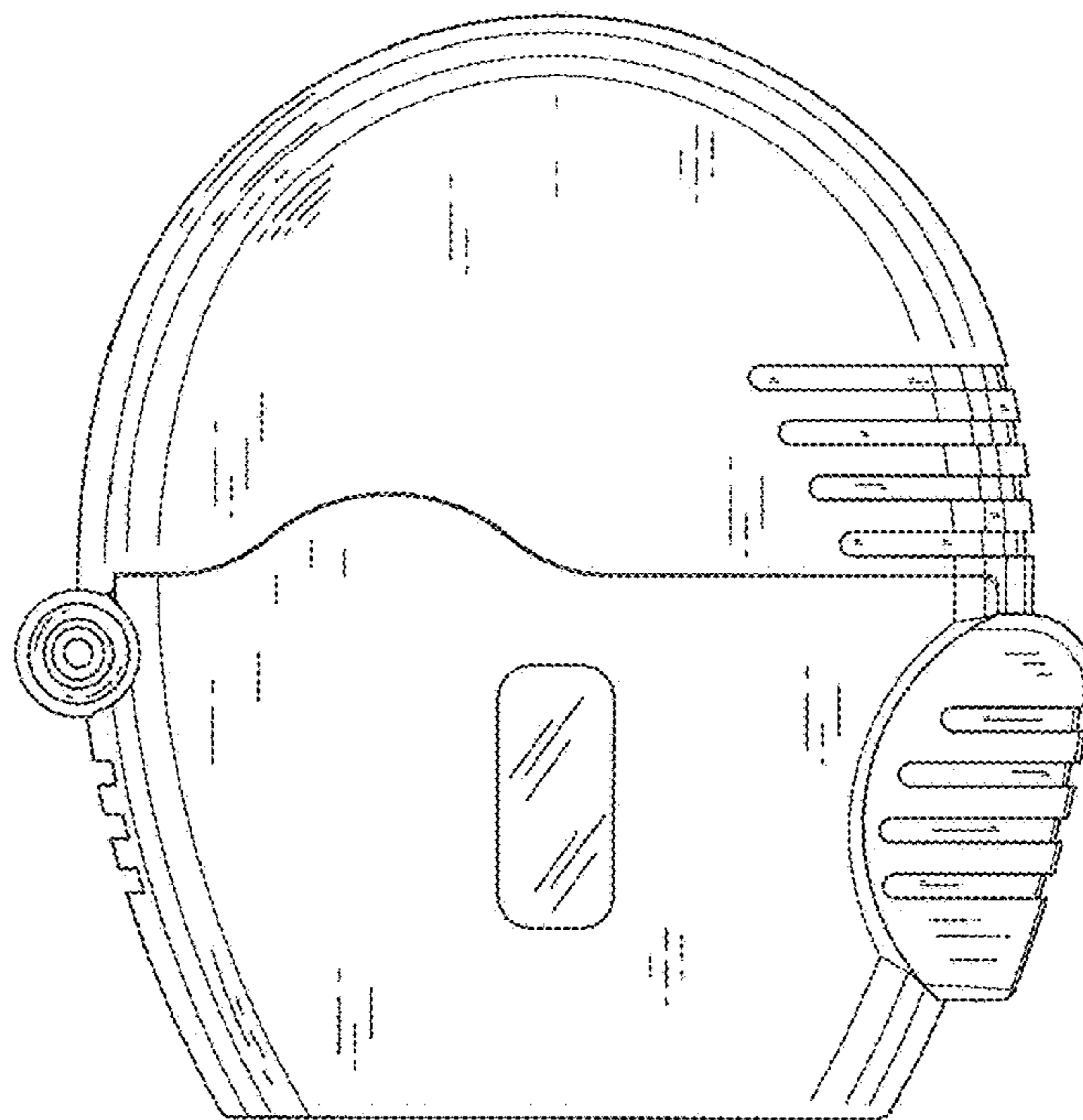


Fig. 2

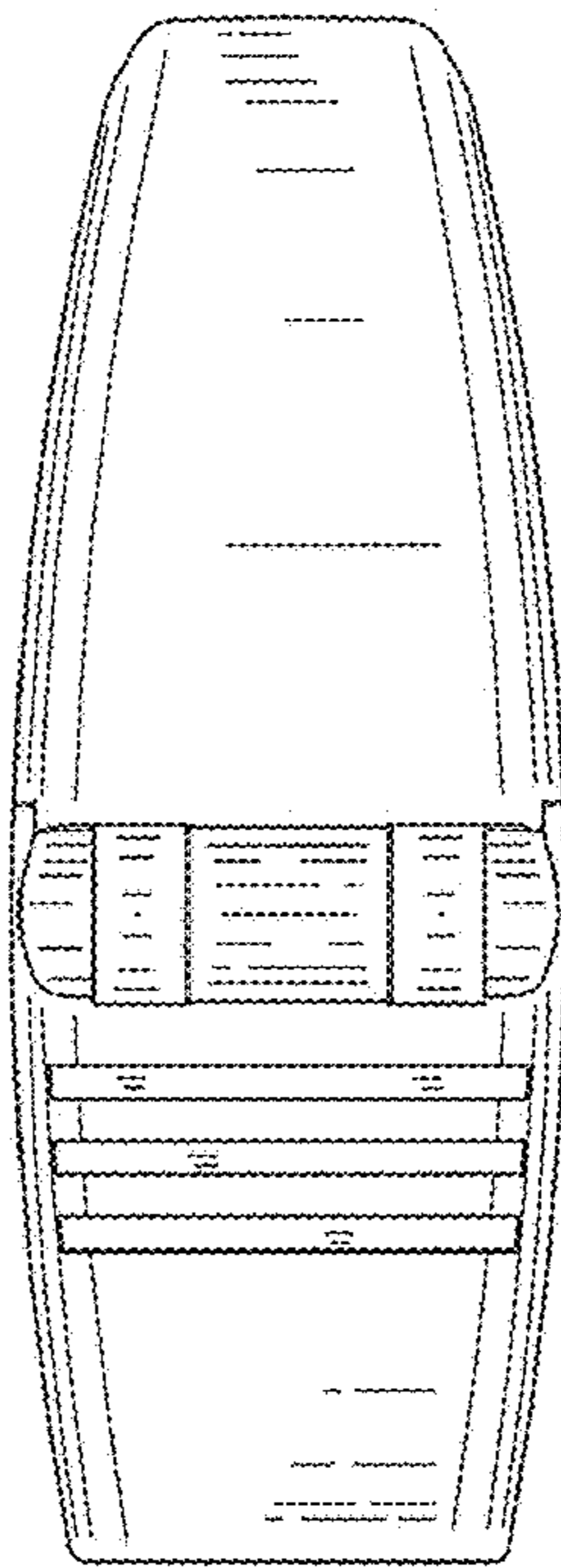


Fig. 3

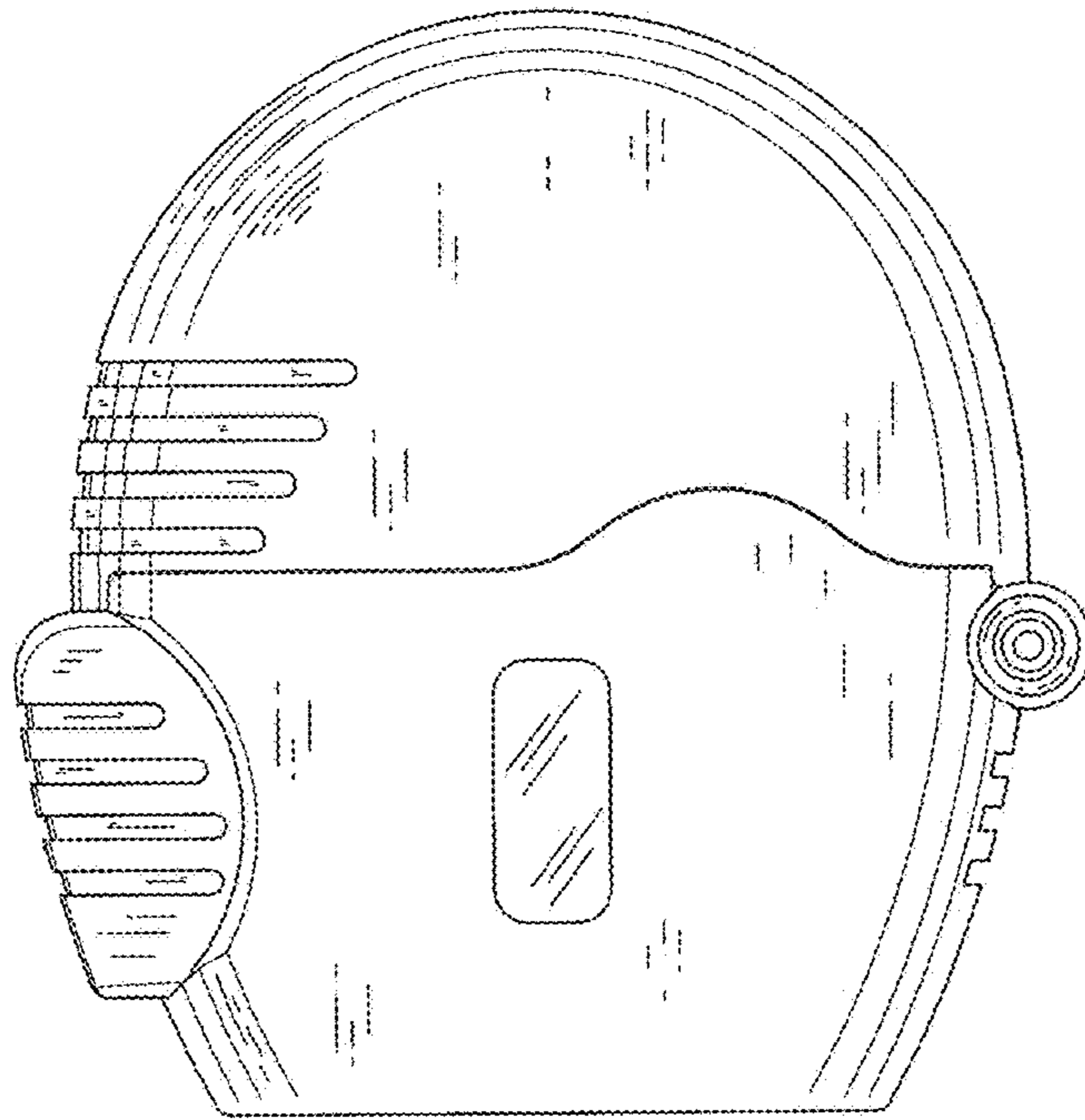


Fig. 4

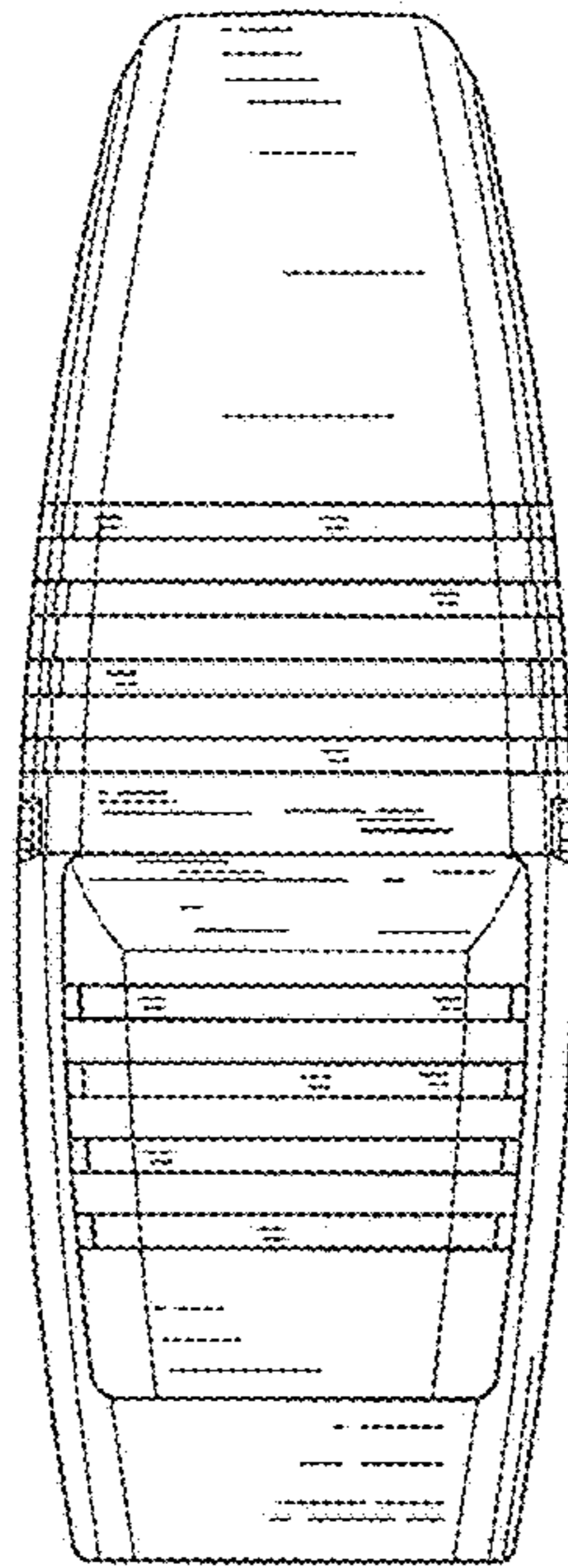


Fig. 5

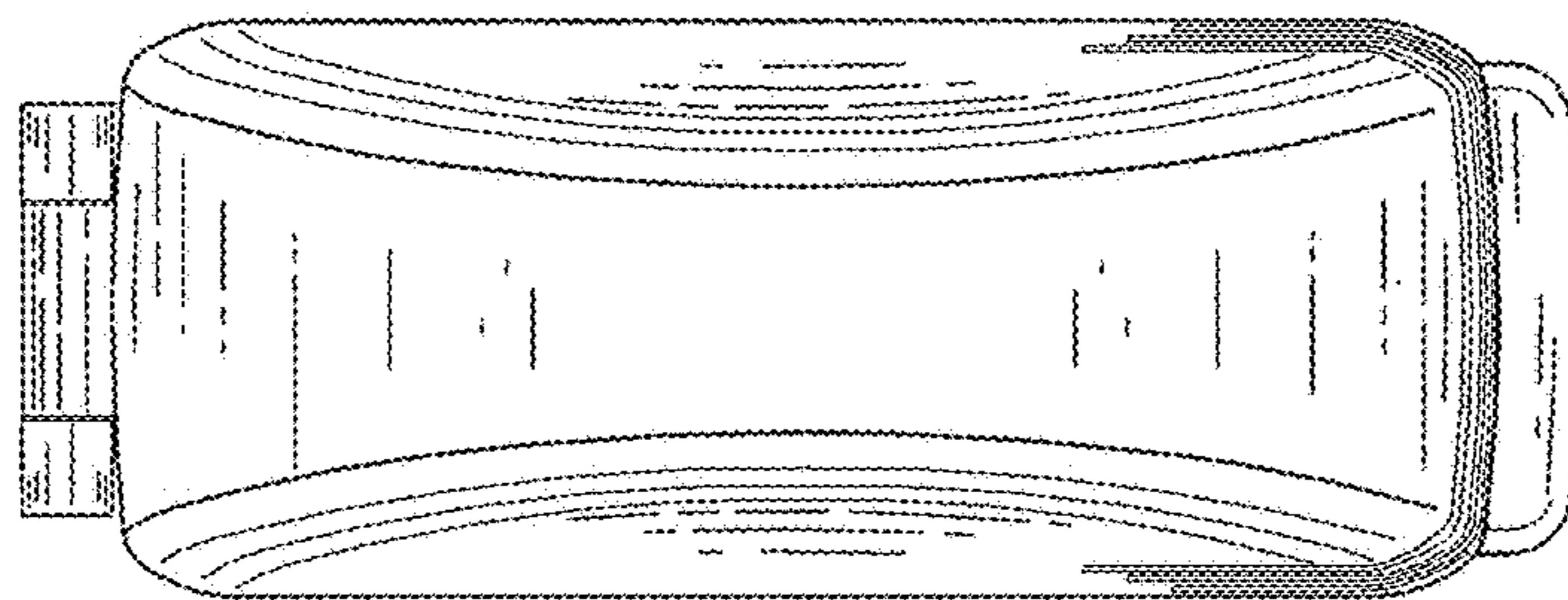


Fig. 6



Fig. 7

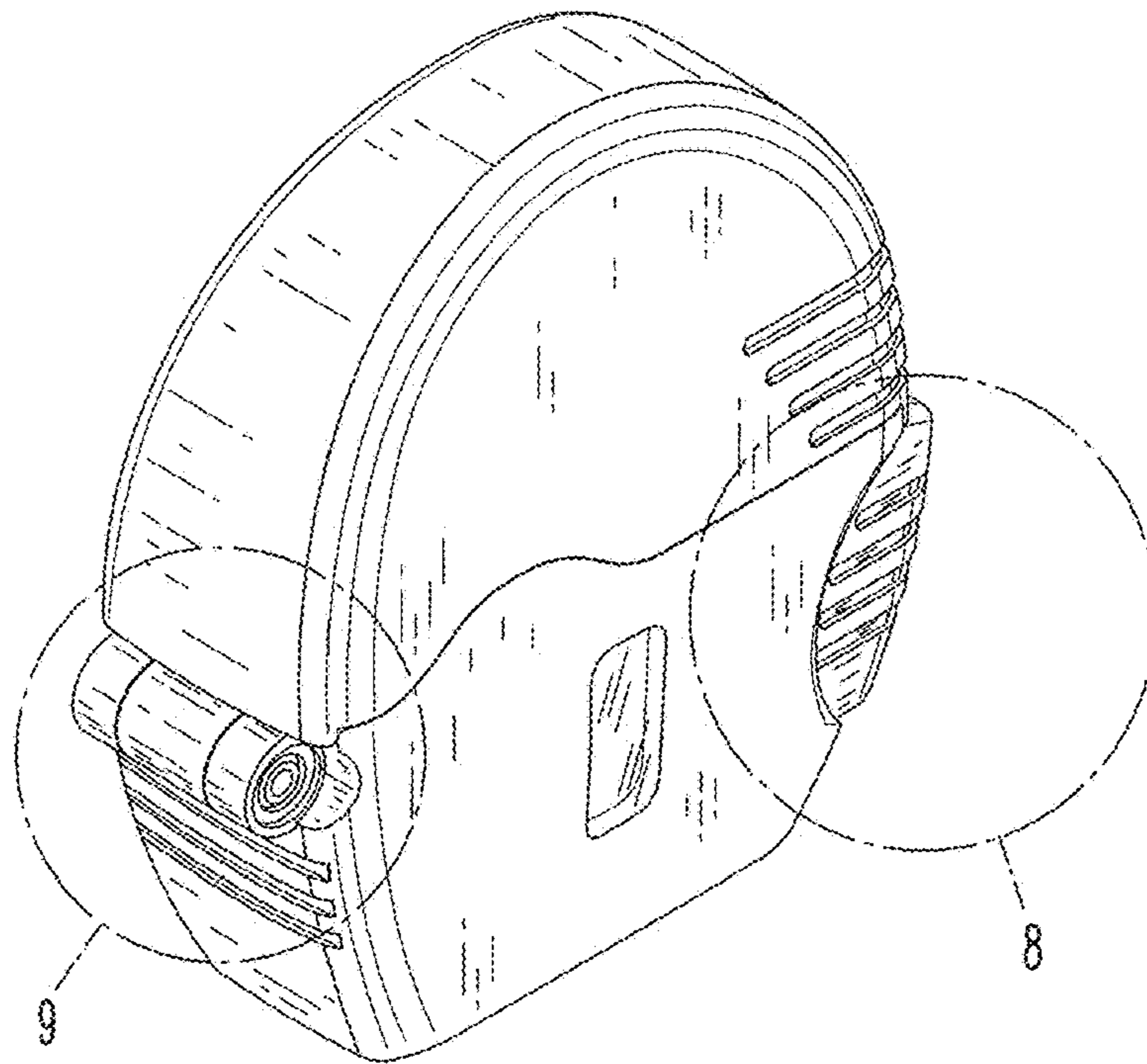


Fig. A

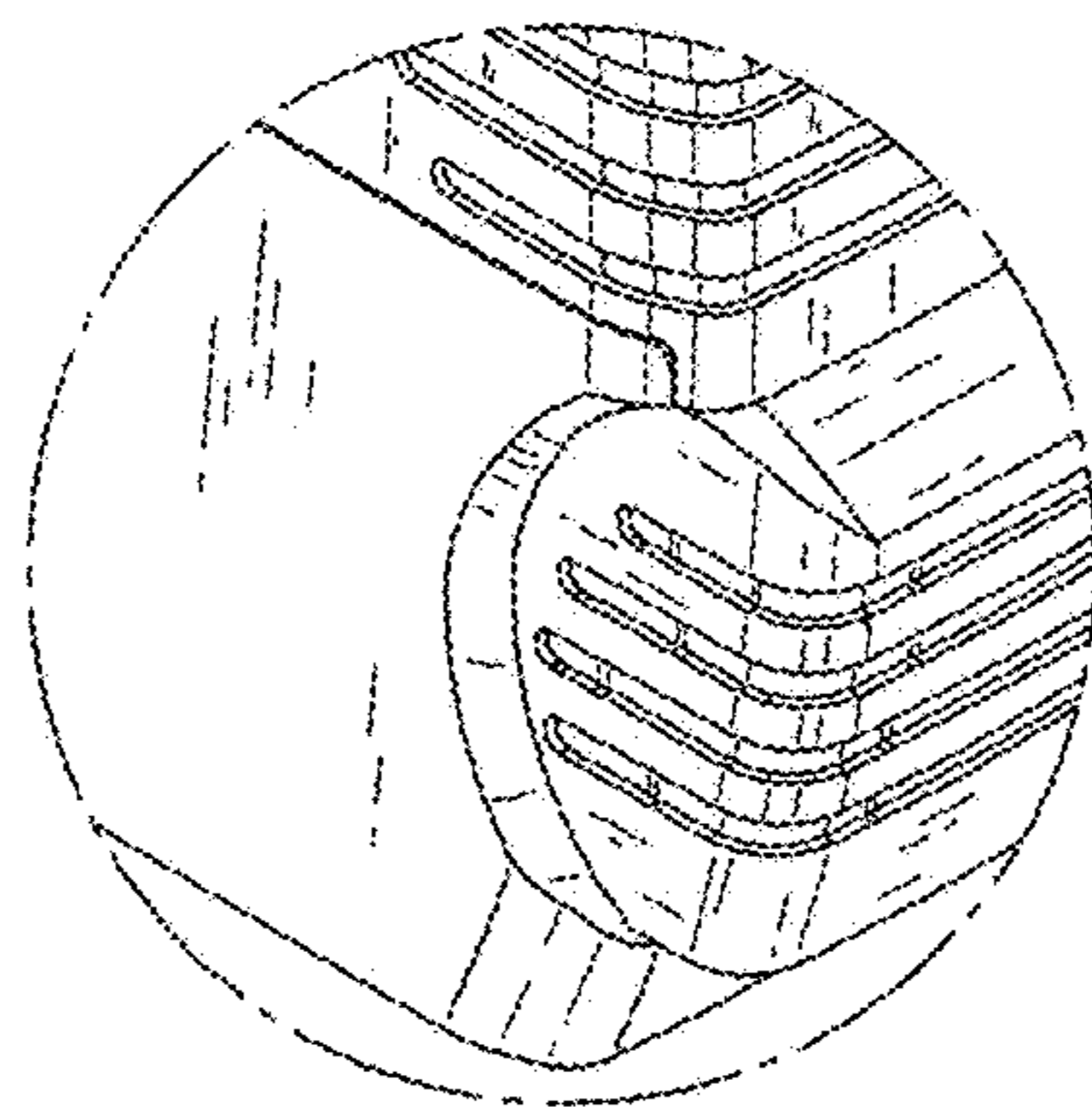


Fig. 9

