



US00D847970S

(12) **United States Design Patent** (10) **Patent No.:** **US D847,970 S**  
**Hoffmaster et al.** (45) **Date of Patent:** **\*\* May 7, 2019**

(54) **FAN BLADE**  
(71) Applicants: **Russell Hoffmaster**, Ambridge, PA  
(US); **James Francis Jaros**, Rochester,  
PA (US)  
(72) Inventors: **Russell Hoffmaster**, Ambridge, PA  
(US); **James Francis Jaros**, Rochester,  
PA (US)

D420,733 S 2/2000 Chen  
D477,072 S \* 7/2003 Johnson ..... D23/413  
D485,609 S 1/2004 Tai  
D510,624 S 10/2005 Graham  
D512,138 S 11/2005 Clymer  
D549,813 S 8/2007 Gajewski  
D557,787 S 12/2007 Gajewski  
D596,733 S 7/2009 Kihara  
(Continued)

(\*\*) Term: **15 Years**  
(21) Appl. No.: **29/662,660**  
(22) Filed: **Sep. 7, 2018**

**Related U.S. Application Data**

(63) Continuation of application No. 29/606,521, filed on  
Jun. 5, 2017, now Pat. No. Des. 828,914.  
(51) **LOC (11) Cl.** ..... **23-03**  
(52) **U.S. Cl.**  
USPC ..... **D23/413**  
(58) **Field of Classification Search**  
USPC ..... D23/370-385, 411-414  
CPC ..... F04D 25/088; F21V 33/0096  
See application file for complete search history.

**References Cited**

**U.S. PATENT DOCUMENTS**

D82,179 S 6/1930 Ringwald  
D235,021 S \* 4/1975 Fulton ..... 416/132 A  
D295,678 S 5/1988 McVey  
5,244,349 A 9/1993 Wang  
D340,974 S 11/1993 Davis, Jr.  
D344,129 S 2/1994 Markwardt  
D365,874 S 1/1996 Kuo  
D373,185 S 8/1996 Tseng  
D373,628 S 9/1996 DiSandro  
D374,715 S \* 10/1996 DiPasquale ..... D23/377  
D382,953 S 8/1997 Kuo  
D398,980 S 9/1998 Pearce

**OTHER PUBLICATIONS**

Document entitled "My handcrafted replacement ceiling fan blades",  
downloaded from [https://www.pinterest.com/THEFANBLADEGUY/  
myhandcraftedreplacementceilingfanblades/](https://www.pinterest.com/THEFANBLADEGUY/myhandcraftedreplacementceilingfanblades/) on May 8, 2017.  
(Continued)

*Primary Examiner* — Cathron C Brooks  
*Assistant Examiner* — Sharon S Oum  
(74) *Attorney, Agent, or Firm* — Thomas M. Joseph

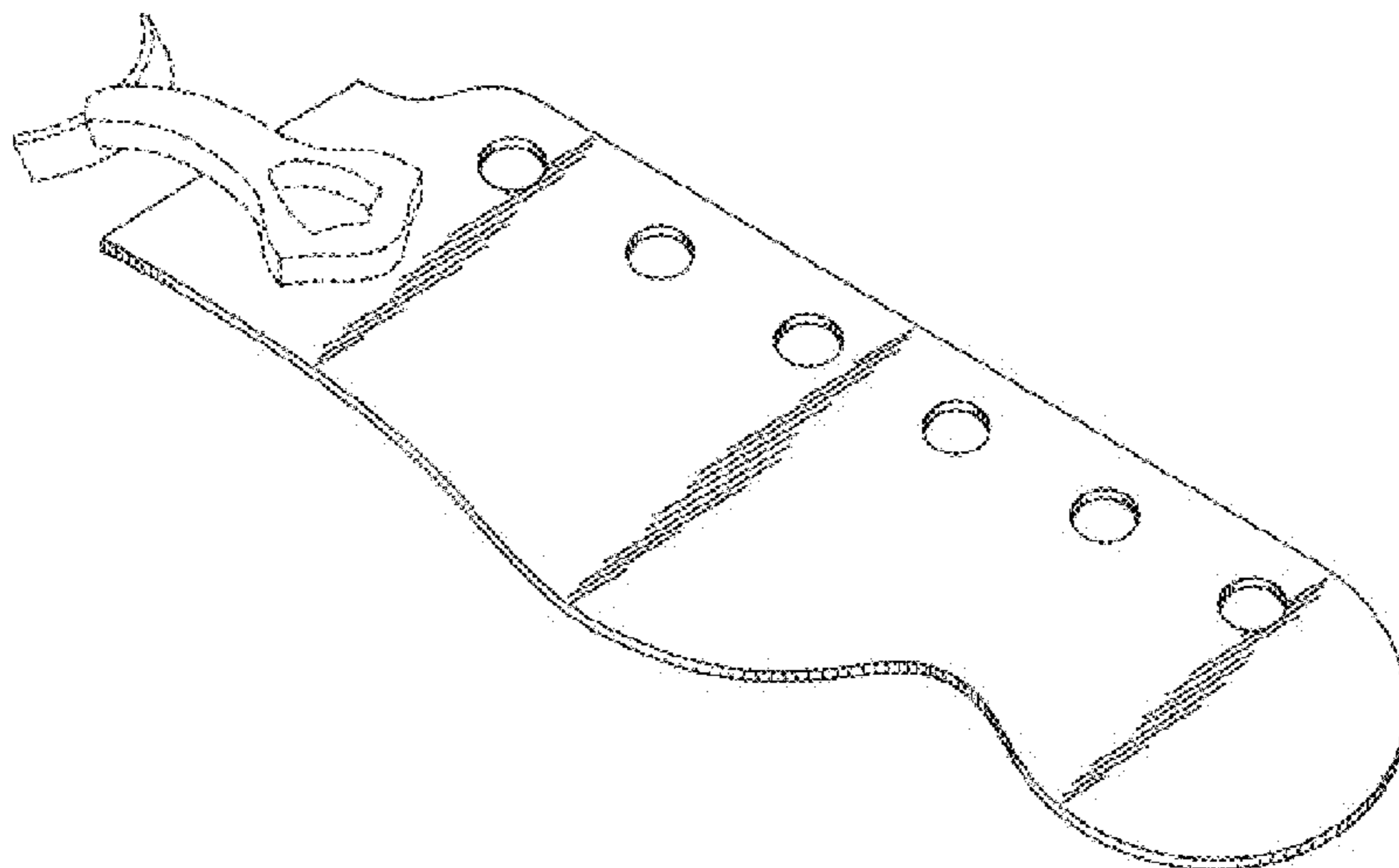
(57) **CLAIM**

The ornamental design for the fan blade, as shown and  
described.

**DESCRIPTION**

FIG. 1 illustrates a perspective view of a fan blade with a  
portion of a ceiling arm shown in broken lines.  
FIG. 2 illustrates a front view thereof, but shown without the  
portion of the ceiling fan arm.  
FIG. 3 illustrates a left side view thereof.  
FIG. 4 illustrates a top view thereof.  
FIG. 5 illustrates a right side view thereof.  
FIG. 6 illustrates a bottom view thereof; and,  
FIG. 7 illustrates a rear view thereof.  
The broken lines shown in FIG. 1 illustrate environmental  
structure, and the broken lines in the remaining views  
illustrate portions of the fan blade. None of the broken lines  
form part of the claimed design.

**1 Claim, 2 Drawing Sheets**



(56)

**References Cited**

U.S. PATENT DOCUMENTS

D671,635 S 11/2012 Pan  
D828,914 S \* 9/2018 Hoffmaster ..... D23/413

OTHER PUBLICATIONS

Document entitled "Multi-colored electric guitar shaped ceiling fan design", downloaded from <https://www.etsy.com/listing/105593639/m-ulti-colored-electric-guitar-shaped> on May 8, 2017.

Document entitled "fanbladeguy | eBay", downloaded from [http://www.ebay.com/sch/m.html?\\_odkw=&\\_ssn=thefanbladeguy&item=121689421638&\\_osacat=0&ssPageName=STRK%3AMEBIDX%3AIT&\\_from=R40&\\_trksid=p2046732.m570.11313.TR11.TRC2.A0.H0.Xguitar](http://www.ebay.com/sch/m.html?_odkw=&_ssn=thefanbladeguy&item=121689421638&_osacat=0&ssPageName=STRK%3AMEBIDX%3AIT&_from=R40&_trksid=p2046732.m570.11313.TR11.TRC2.A0.H0.Xguitar) on May 8, 2017.

Document entitled "Classy Electric Guitar Shaped Ceiling Fan Blades | eBay", downloaded from <http://www.ebay.com/itm/>

121689421638?\_trksid=p2055119.m1438.12649&ssPageName=STRK%3AMEBIDX%3AIT on May 8, 2017.

Document entitled "New Rock N Roll Guitar 42 [inch] Ceiling Fan Blades Only | eBay", downloaded from [http://www.ebay.com/itm/NewROCKNROLLGUITAR42CeilingFanBLADESONLY/311860428943?hash=item489c54808f:m:mSlso5ZGcp\\_gCc5cKxOn4Jw](http://www.ebay.com/itm/NewROCKNROLLGUITAR42CeilingFanBLADESONLY/311860428943?hash=item489c54808f:m:mSlso5ZGcp_gCc5cKxOn4Jw) on May 8, 2017.

Document entitled "Custom~Classic Music Room Ceiling Fan~Piano Flute Violin | eBay", downloaded from [http://www.ebay.com/itm/292088452690?\\_trksid=p2055119.m1438.12649&ssPageName=STRK%3AMEBIDX%3AIT](http://www.ebay.com/itm/292088452690?_trksid=p2055119.m1438.12649&ssPageName=STRK%3AMEBIDX%3AIT) on May 8, 2017.

Document entitled "Jamaican Jamaica Flag Electric Guitar Ceiling Fan Blades Man Cave Bedroom decor", downloaded from <http://www.ebay.com/itm/JamaicanJamaicaFlagElectricGUITARCeilingFanBLADESManCaveBedroomdecor/281159935855?nma=true&si=qFOS%25BSaJ0SyamVMY15V%252FDkSxTo%253D&orig...> on May 8, 2017.

\* cited by examiner

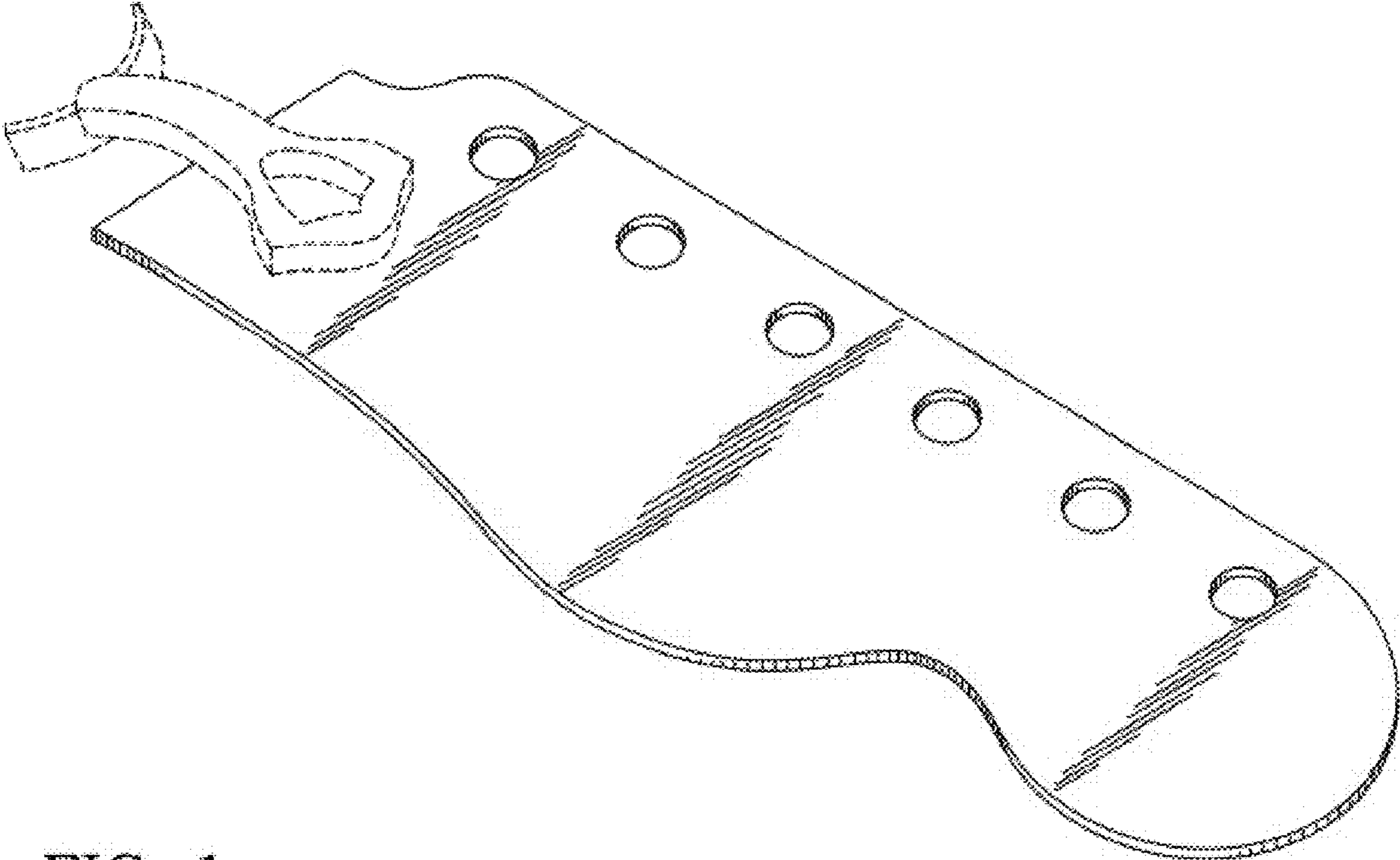


FIG. 1

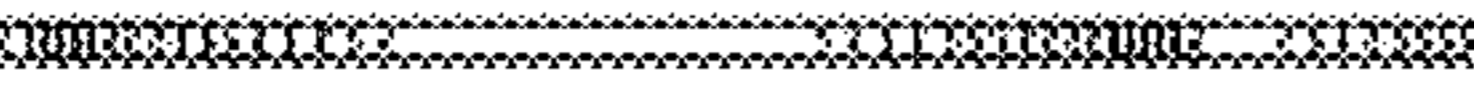


FIG. 2

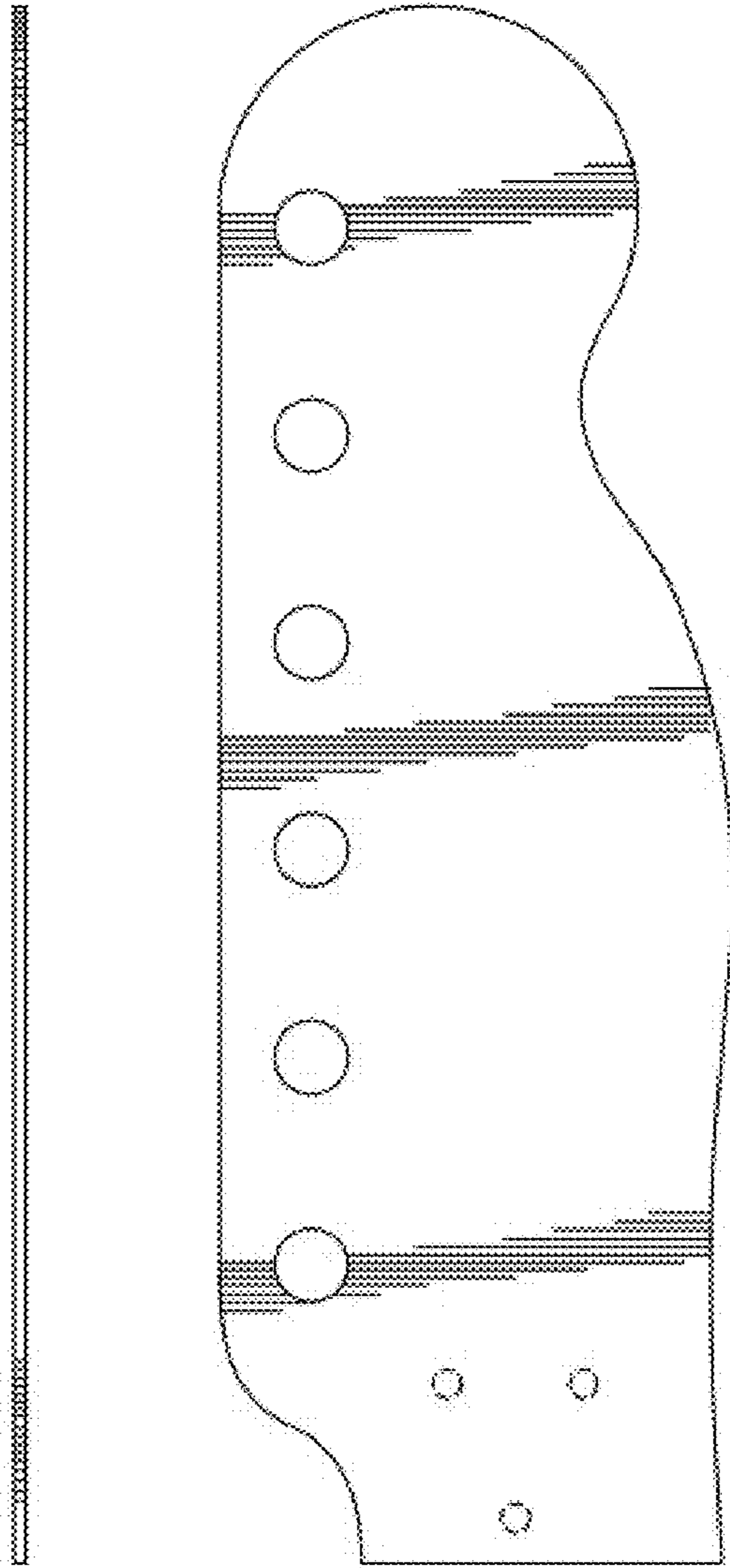


FIG. 3

FIG. 4

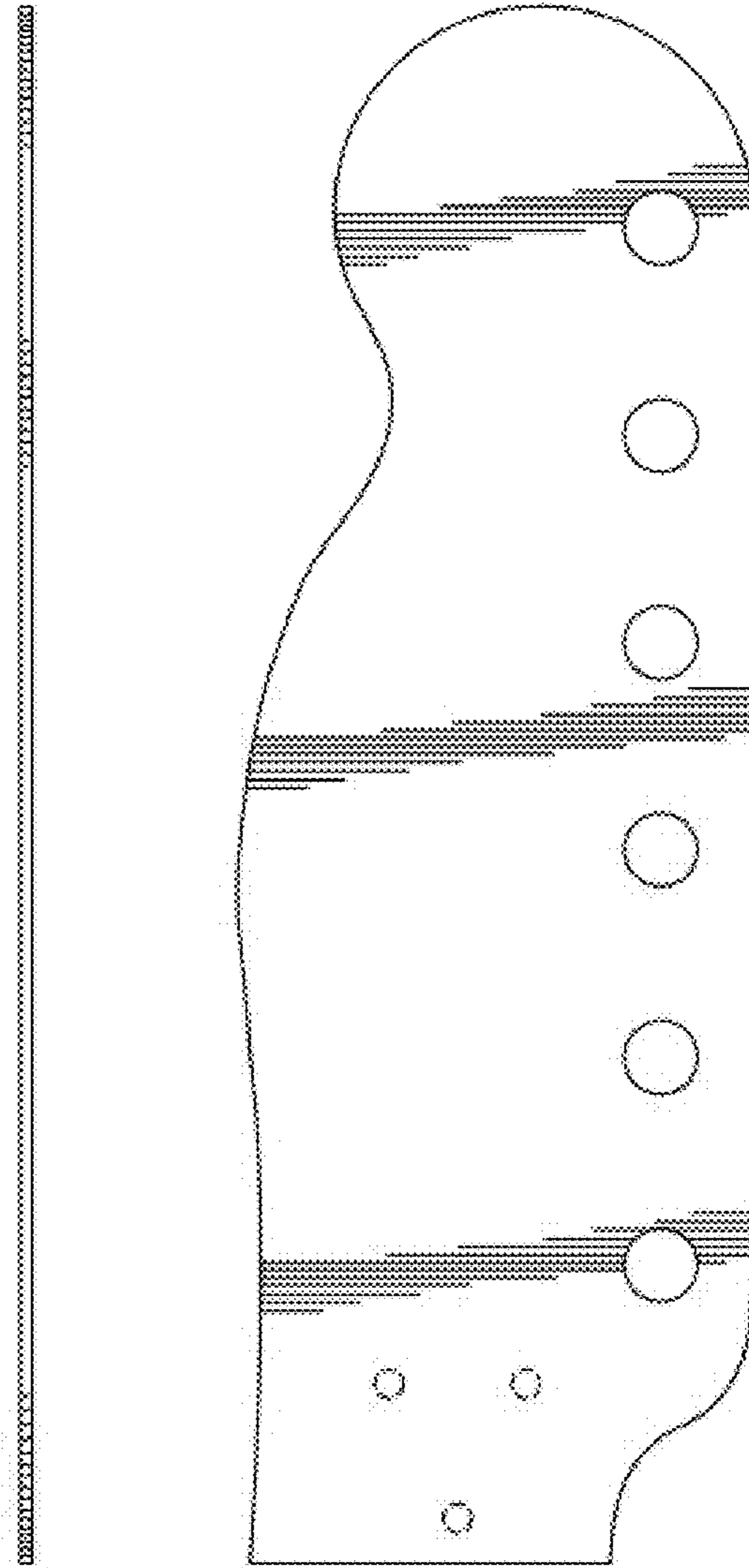


FIG. 5

FIG. 6

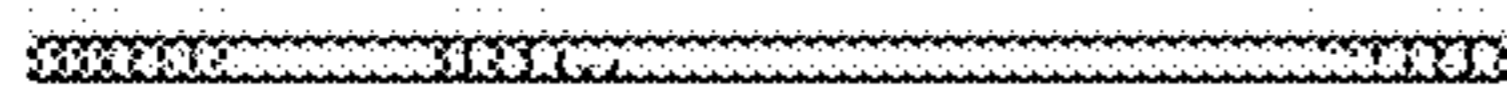


FIG. 7