



US00D847969S

(12) **United States Design Patent**  
**Noble et al.**

(10) **Patent No.:** **US D847,969 S**  
(45) **Date of Patent:** **\*\* May 7, 2019**

(54) **FAN CANOPY**

(71) Applicant: **DELTA T CORPORATION**,  
Lexington, KY (US)

(72) Inventors: **Ernest John Noble**, Selangor (MY);  
**Ken Siong Tan**, Selangor (MY); **Jon  
Jet Ling**, Selangor (MY); **Seng Rui  
Chan**, Selangor (MY)

(73) Assignee: **DELTA T, LLC**, Lexington, KY (US)

(\*\*) Term: **15 Years**

(21) Appl. No.: **29/550,461**

(22) Filed: **Jan. 4, 2016**

(51) **LOC (11) Cl.** ..... **23-03**

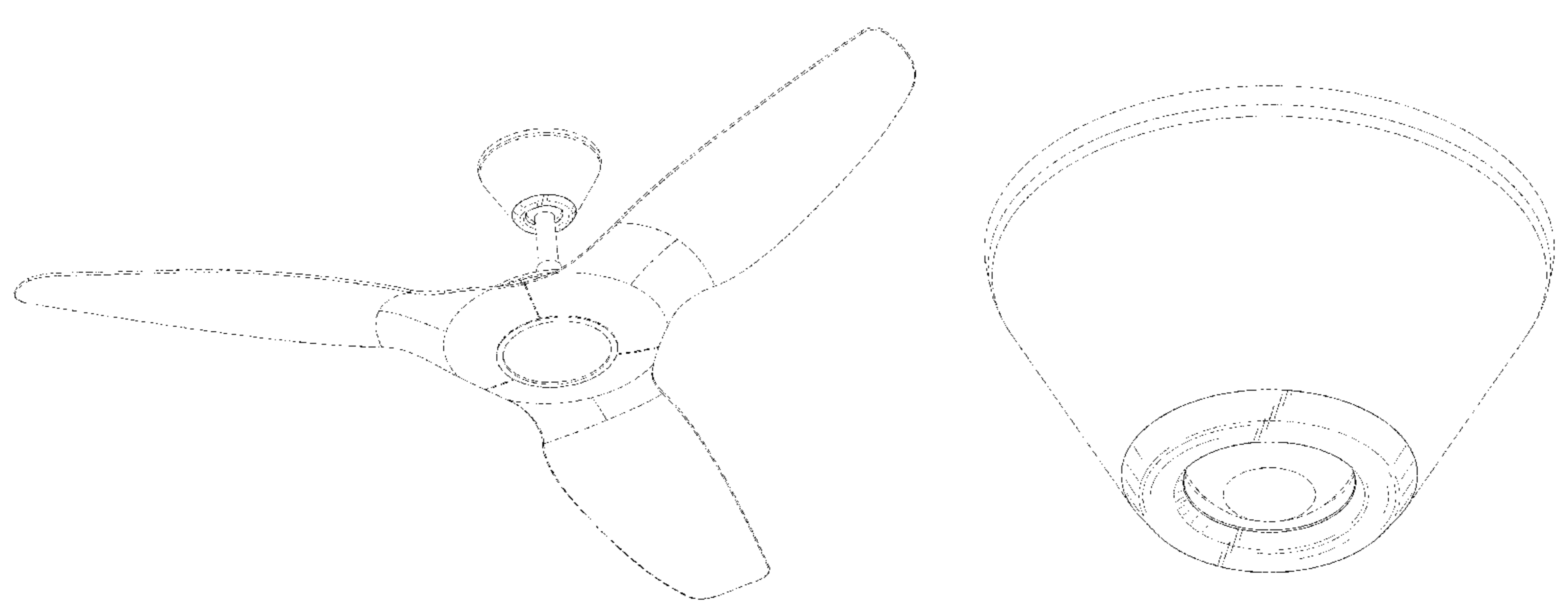
(52) **U.S. Cl.**  
USPC ..... **D23/411**

(58) **Field of Classification Search**  
USPC ..... D23/385, 397, 398, 403, 405, 407, 411,  
D23/415  
CPC ... B64C 2001/009; B64C 11/04; B64C 11/16;  
B64C 11/18; B64C 11/20; B64D 13/02;  
E04C 2/427; E06B 3/5892; F03D 3/062;  
F03D 11/04; F04D 19/002; F04D 25/068;  
F04D 25/088; F23D 5/00; F23D 14/02;  
F23D 14/04; F23D 14/06; F23D 14/065;  
F23D 14/46; F24C 3/08; F24C 3/085;  
F24C 3/103; F24C 15/101; F24C 15/14;  
F24H 1/12; F24H 1/124; F24F 1/0018  
See application file for complete search history.

1,623,420 A	4/1927	Leinweber et al.
1,650,464 A	11/1927	Reed et al.
1,831,394 A	11/1931	Reed et al.
D97,601 S	11/1935	Funk
D105,260 S	7/1937	Brannan
D113,347 S	1/1938	Funk
2,104,207 A	1/1938	Miles et al.
2,222,444 A	11/1940	Schmidt et al.
2,269,287 A	1/1942	Roberts et al.
D131,699 S	3/1942	Funk
2,346,552 A	4/1944	Brotz et al.
D169,972 S *	7/1953	Glatthar et al. .... D26/89
D185,104 S	5/1959	Twist
3,895,227 A *	7/1975	Murray ..... F21V 23/026 362/264
4,073,598 A	2/1978	Mizutani et al.
D252,390 S	7/1979	Voisard
D268,521 S	4/1983	Clemente
D283,156 S	3/1986	Mandelli
4,621,977 A *	11/1986	Markwardt ..... F04D 25/088 416/170 R
D290,748 S	7/1987	Kawai
D292,313 S	10/1987	Kawai
4,729,725 A *	3/1988	Markwardt ..... F04D 25/088 416/244 R
4,878,806 A *	11/1989	Markwardt ..... F04D 25/088 416/170 R
4,974,633 A	12/1990	Hickey
D334,232 S	3/1993	Searle
D343,251 S *	1/1994	Fouke ..... D26/135
D345,790 S	4/1994	Caldwell
D355,027 S	1/1995	Young
D357,978 S	5/1995	Young
D396,281 S	7/1998	Gee, II et al.
D396,534 S	7/1998	Tsuji et al.
D397,418 S	8/1998	Tsuji et al.
D397,419 S	8/1998	Tsuji et al.
D399,554 S	10/1998	Tsuji et al.
D399,555 S	10/1998	Gee, II et al.
D407,155 S	3/1999	Liu
5,920,127 A	7/1999	Damron et al.
D413,378 S	8/1999	Zuege
5,951,253 A	9/1999	Gajewski
D414,856 S	10/1999	Zuege
D414,857 S	10/1999	Zuege
D420,120 S	2/2000	Evans
6,019,577 A	2/2000	Dye
D421,797 S	3/2000	Collmar
6,042,339 A	3/2000	Blateri et al.
D422,352 S	4/2000	Gee, II
D425,610 S	5/2000	Gee, II
D426,630 S	6/2000	Gajewski
6,120,247 A	9/2000	Wheeler

(56) **References Cited**  
U.S. PATENT DOCUMENTS

1,133,191 A	3/1915	Staples et al.
1,166,907 A	1/1916	Heath et al.
1,372,076 A	3/1921	Luense et al.
1,384,308 A	7/1921	De et al.
1,432,710 A	10/1922	Macmechen et al.
1,522,771 A	1/1925	Fales et al.
1,539,273 A	5/1925	Reed et al.
1,604,758 A	10/1926	Reed et al.







Montecarl Minimalist Ceiling Fan Model 3MNL56BSD <http://www.hansenwholesale.com/ceilingfans/montecarlo/model.asp?ProdNo=MC-3MNL56BSD> Printed Mar. 8, 2016.

This New Ceiling Fan Design Solves A Problem That All Ceiling Fans Have Had Since 1882 <http://www.businessinsider.com/haiku-smart-ceiling-fan-2014-6> Printed Mar. 8, 2016.

Back to Post:Ceiling Fans Application to the Living Room ceiling fans no lights <http://drecera.info/ceiling-fans-application-to-the-living-room.html/ceiling-fans-no-lights> Printed Mar. 8, 2016.

52" Casa Delta-Wing™ Bronze Outdoor Ceiling Fan 52" Casa DeltaWing Bronze Outdoor Ceiling Fan #4F570 | LampsPlus.com [http://www.lampsplus.com/products/52-inch-casa-delta-wing-bronze-outdoor-ceiling-fan\\_4f570.html](http://www.lampsplus.com/products/52-inch-casa-delta-wing-bronze-outdoor-ceiling-fan_4f570.html) Printed Mar. 8, 2016.

Spitfire 60" Ceiling Fan Sleek and elegant cooling <http://www.myfan.com.au/ceiling-fans/spitfire/> Printed Mar. 8, 2016.

Craftmade SON52CH, Sonnet Chrome 60 <http://www.delmarfans.com/craftmade-ceiling-fans/sonnet/son52ch/> Printed Mar. 8, 2016.

Three Blade Washed timber ceiling fan <http://www.houzz.com/photos/22163832/Three-Blade-Washed-timber-ceiling-fan-contemporary-ceiling-fans-other-metro> Printed Mar. 8, 2016.

Aeratron AE3 43-Inch Triple Blade Ceiling Fan—Matte White [http://store.dwell.com/aeratronae343triplebladeceilingfan.html?gclid=CP6V2PCvssscFZl9QodUoAEgA&a\\_92=1932](http://store.dwell.com/aeratronae343triplebladeceilingfan.html?gclid=CP6V2PCvssscFZl9QodUoAEgA&a_92=1932) Printed Mar. 8, 2016.

Westinghouse 7869100 46" White 3-Blade Reversible Ceiling Fan with Light <http://www.walmart.com/ip/27021874?wmlspartner=wlp&selectedSellerId=0&adid=222222227018433423&w10=&w11=g&w12=c&w13=52406259431&w14=&w15=pla&w16=83970368351&veh=sem> Printed Mar. 8, 2016.

Monte Carlo 3MO52WHO-L Mach One 52-Inch 3- Blade Ceiling Fan with Remote and Light Kit, White Finish <http://www.amazon.com/Monte-Carlo-3MO52WHO-L-52-Inch-3-Blade/dp/B0038KY442> Printed Mar. 8, 2016.

Decoration, Simple Brown Ceiling Fan With Light Design With Triple Blade and White Lamp <http://lighthom.xyz/add-to-the-look-of-a-room-with-fancy-ceiling-fan-ideas/simple-brown-ceiling-fan-with-light-design-with-triple-blade-and-white-lamp/> Printed Mar. 8, 2016.

The Flow Modern Ceiling Fan Flow 3Blade Modern Ceiling Fan | Barn Light Electric <http://www.barnlightelectric.com/barn-ceiling-fans/modern-ceiling-fans/the-flow-modern-ceiling-fan.html> Printed Mar. 8, 2016.

Techno 132 cm ceiling fan with three blades and LED light kit <http://www.westinghouselighting.eu/ceiling-fans/modern/techno-132-cm-ceiling-fan-with-three-blades-and-led-light-kit-7827040.aspx> Printed Mar. 8, 2016.

Del Mar Fans & Lighting Ceiling Fan Rating System Ceiling Fan Ratings | Who Makes the Best Ceiling Fans <http://www.delmarfans.com/educate/ceiling-fan-rating-guide/> Aug. 1, 2013 Printed Mar. 8, 2016.

Letter dated Feb. 22, 2016 Response from Barnes & Thornburg LLP (Dwight D. Lueck) to King & Schickli, PLLC (Andrew D. Dorisio) Re: TropoAir Vogue 60" DC Ceiling Fan.

Taiwan Office Action, Intellectual Property Office, Ministry of Economic Affairs, Patent Application No. 105303823, May 16, 2017.

HaikuWithSenseME-Black—from TinEye, image post date Jun. 7, 2014, site visited Apr. 16, 2016, (online), <[https://www.tineye.com/search/4a9cabb9aagebebe894bd693e56e486a84703fcb1?sort=crawl\\_date&order=asc](https://www.tineye.com/search/4a9cabb9aagebebe894bd693e56e486a84703fcb1?sort=crawl_date&order=asc)>.

Big Ass Fans Haiku Ceiling Fan with SenseME—from CNET, image post date Jun. 4, 2014, site visited Apr. 16, 2016, (online), <<http://www.cnet.com/products/big-ass-fans-haiku-ceiling-fan-with-senseme/>>.

Haiku 5 Foot Ceiling Fan—from YouTube, image post date Jul. 16, 2013, site visited Apr. 16, 2016, (online), ([https://www.youtube.com/watch?v=OAWveTjw\\_S4](https://www.youtube.com/watch?v=OAWveTjw_S4))>.

Office Action dated Apr. 29, 2016 U.S. Appl. No. 29/531,907 66 Pages.

U.S. Appl. No. 29/531,907, filed Jun. 30, 2015.

\* cited by examiner

*Primary Examiner* — Kevin K Rudzinski  
(74) *Attorney, Agent, or Firm* — King & Schickli, PLLC

## (57) CLAIM

The ornamental design for a fan canopy, as shown and described.

## DESCRIPTION

The file of this patent contains at least one drawing/photograph executed in color. Copies of this patent with color drawing(s)/photograph(s) will be provided by the Office upon request and payment of the necessary fee.

FIG. 1 is a bottom perspective view of a first embodiment of a fan canopy;

FIG. 2 is an enlarged perspective view of the first embodiment of the fan canopy;

FIG. 3 is a front view of the first embodiment of the fan canopy;

FIG. 4 is a right side view of the first embodiment of the fan canopy;

FIG. 5 is a rear view of the first embodiment of the fan canopy;

FIG. 6 is a left side view of the first embodiment of the fan canopy;

FIG. 7 is a top view of the first embodiment of the fan canopy;

FIG. 8 is a bottom view of the first embodiment of the fan canopy;

FIG. 9 is a bottom perspective view of a second embodiment of the fan canopy, with a portion indicated as being in the color blue;

FIG. 10 is an enlarged perspective view of the second embodiment of the fan canopy;

FIG. 11 is a front view of the second embodiment of the fan canopy;

FIG. 12 is a right side view of the second embodiment of the fan canopy;

FIG. 13 is a rear view of the second embodiment of the fan canopy;

FIG. 14 is a left side view of the second embodiment of the fan canopy;

FIG. 15 is a top view of the second embodiment of the fan canopy; and,

FIG. 16 is a bottom view of the second embodiment of the fan canopy.

The broken lines shown in the drawings illustrate the fan and portions of the fan canopy that form no part of the claimed design.

**1 Claim, 16 Drawing Sheets  
(7 of 16 Drawing Sheet(s) Filed in Color)**

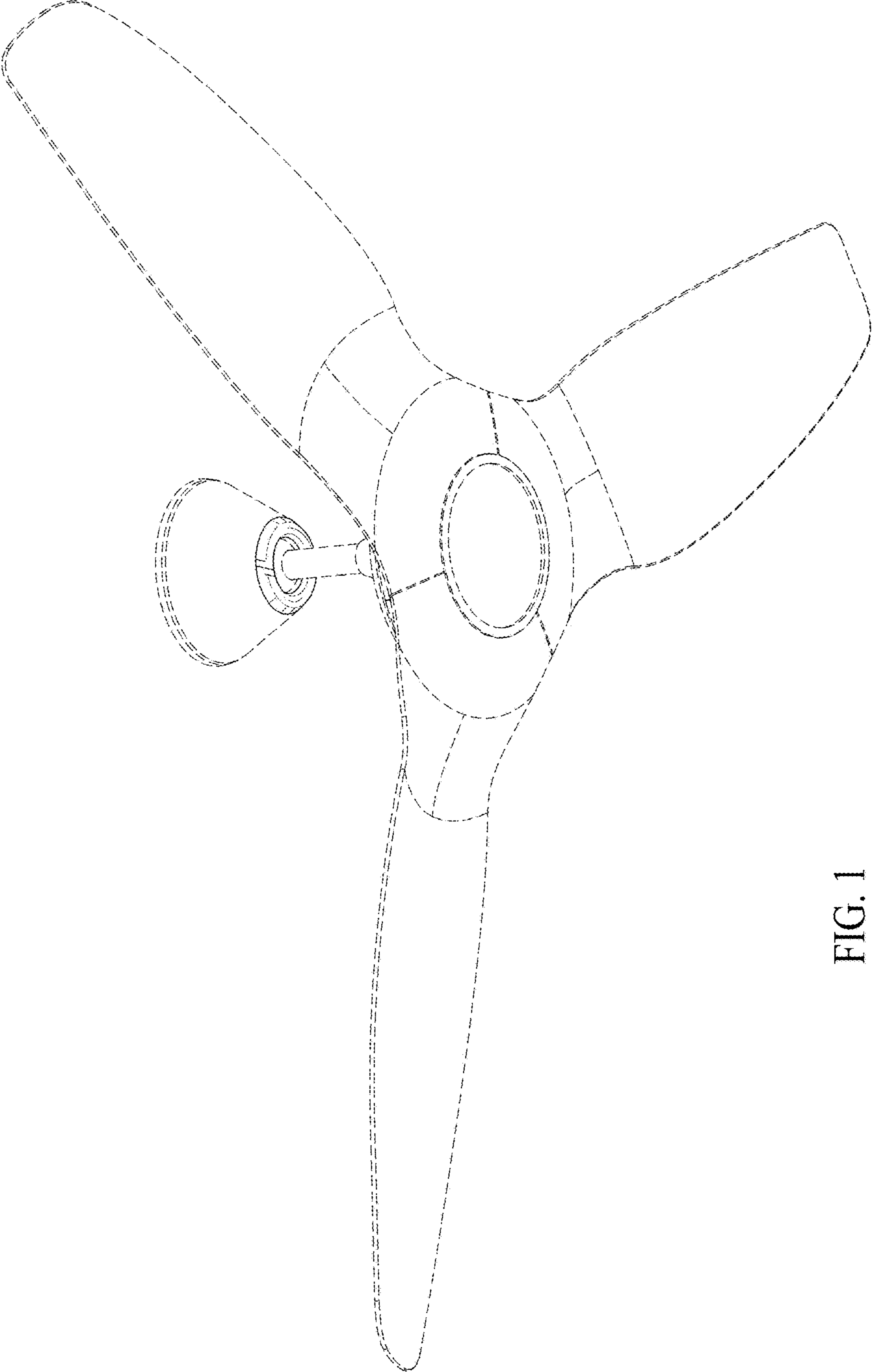


FIG. 1

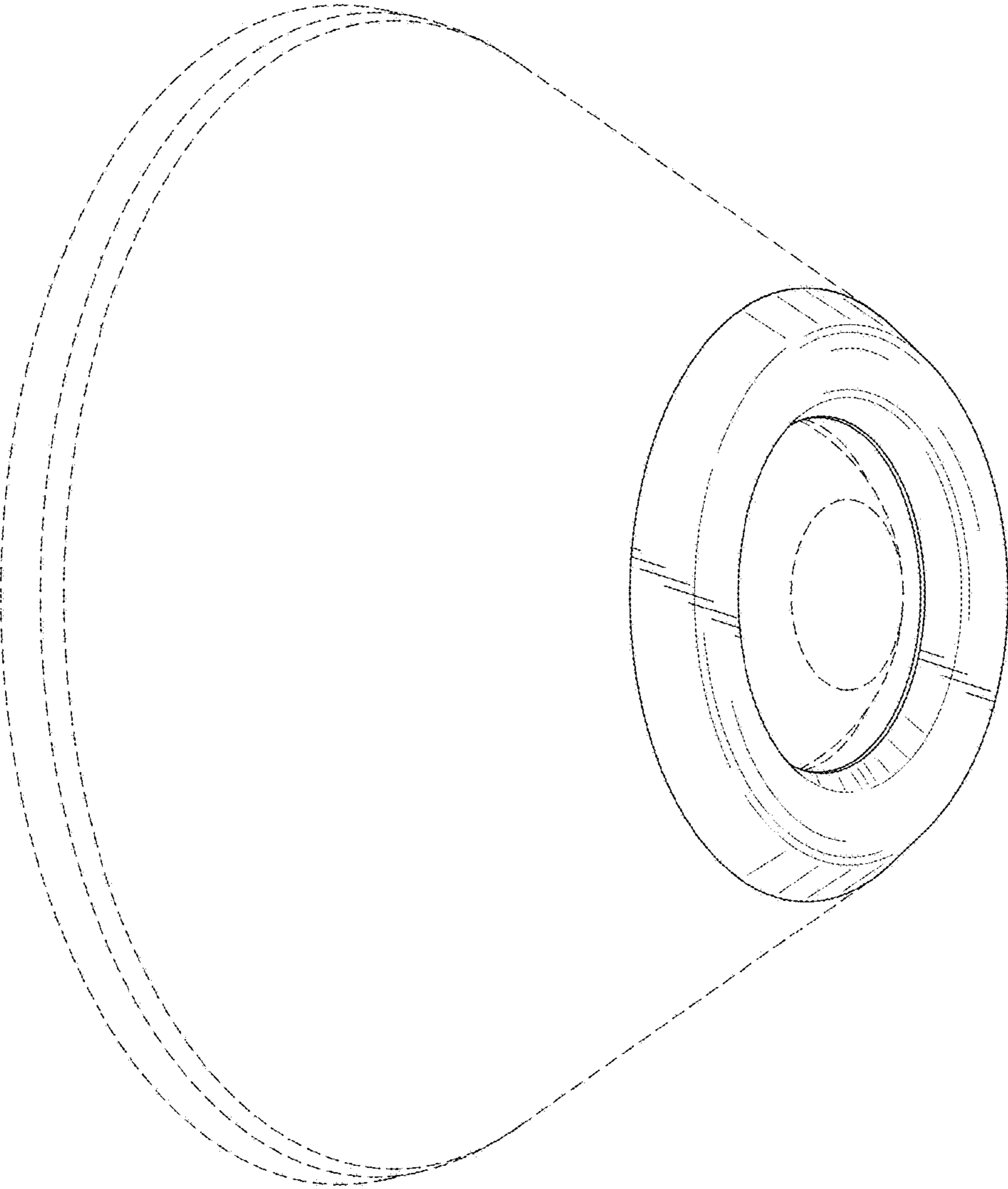


FIG. 2

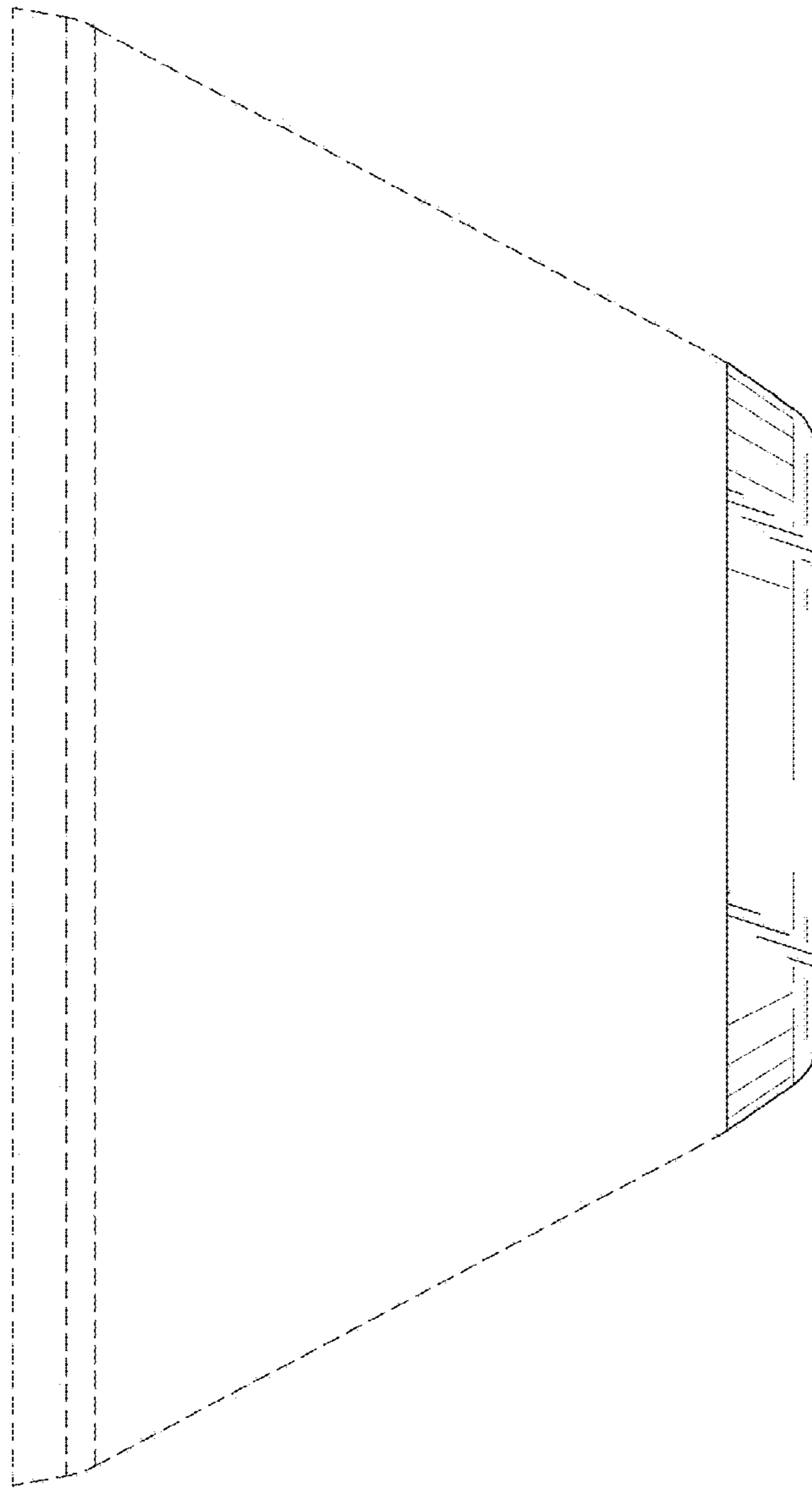


FIG. 3

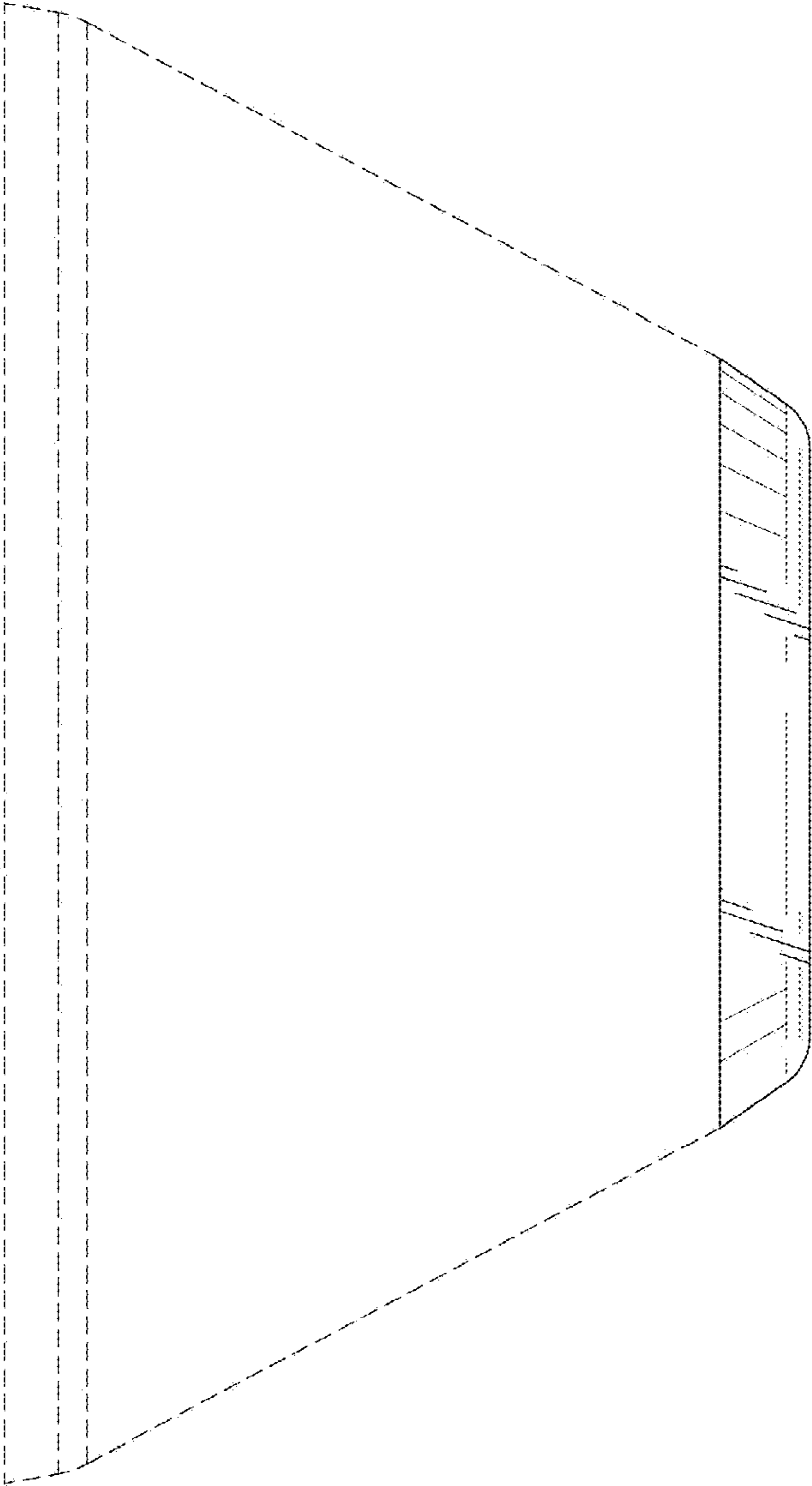


FIG. 4



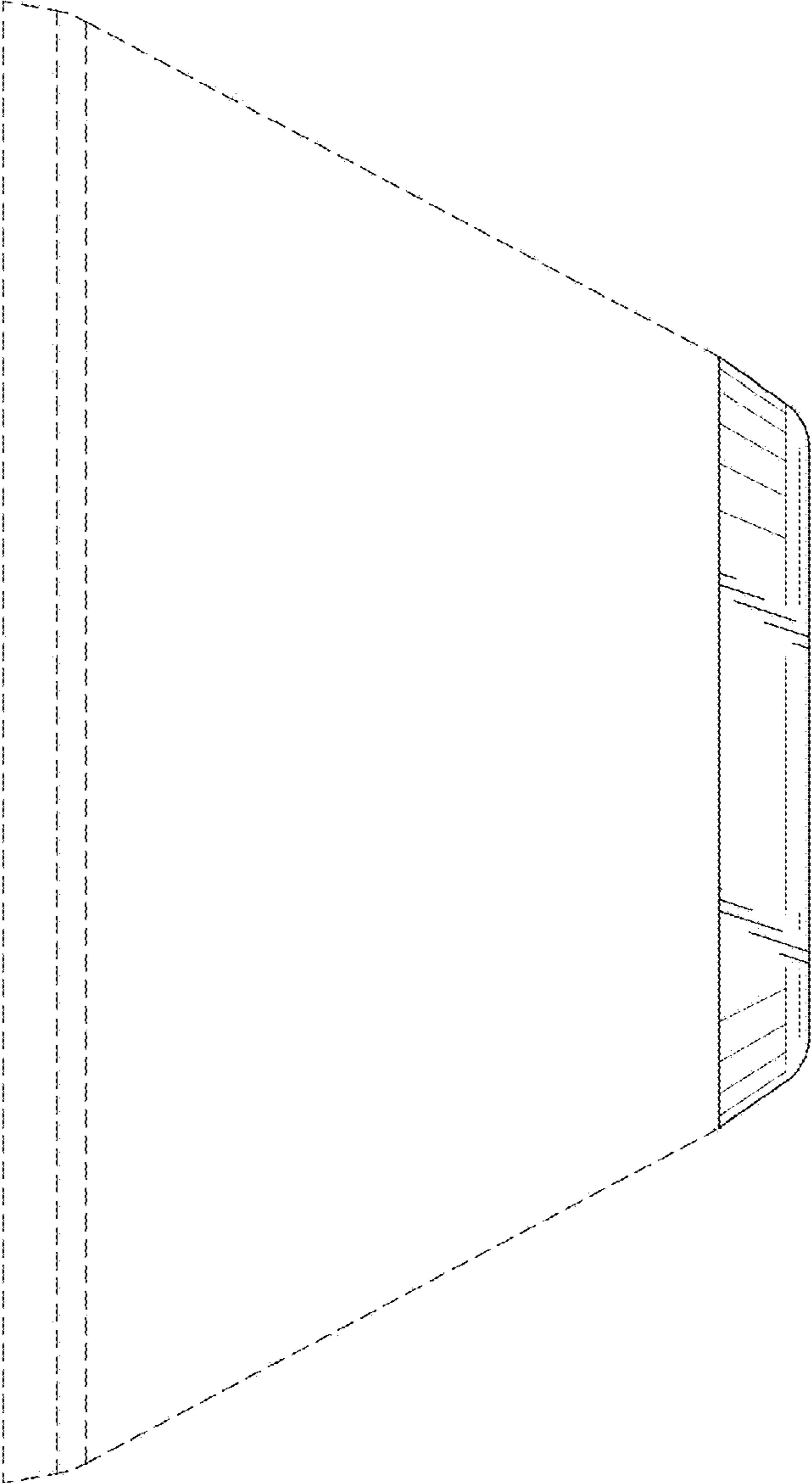


FIG. 5

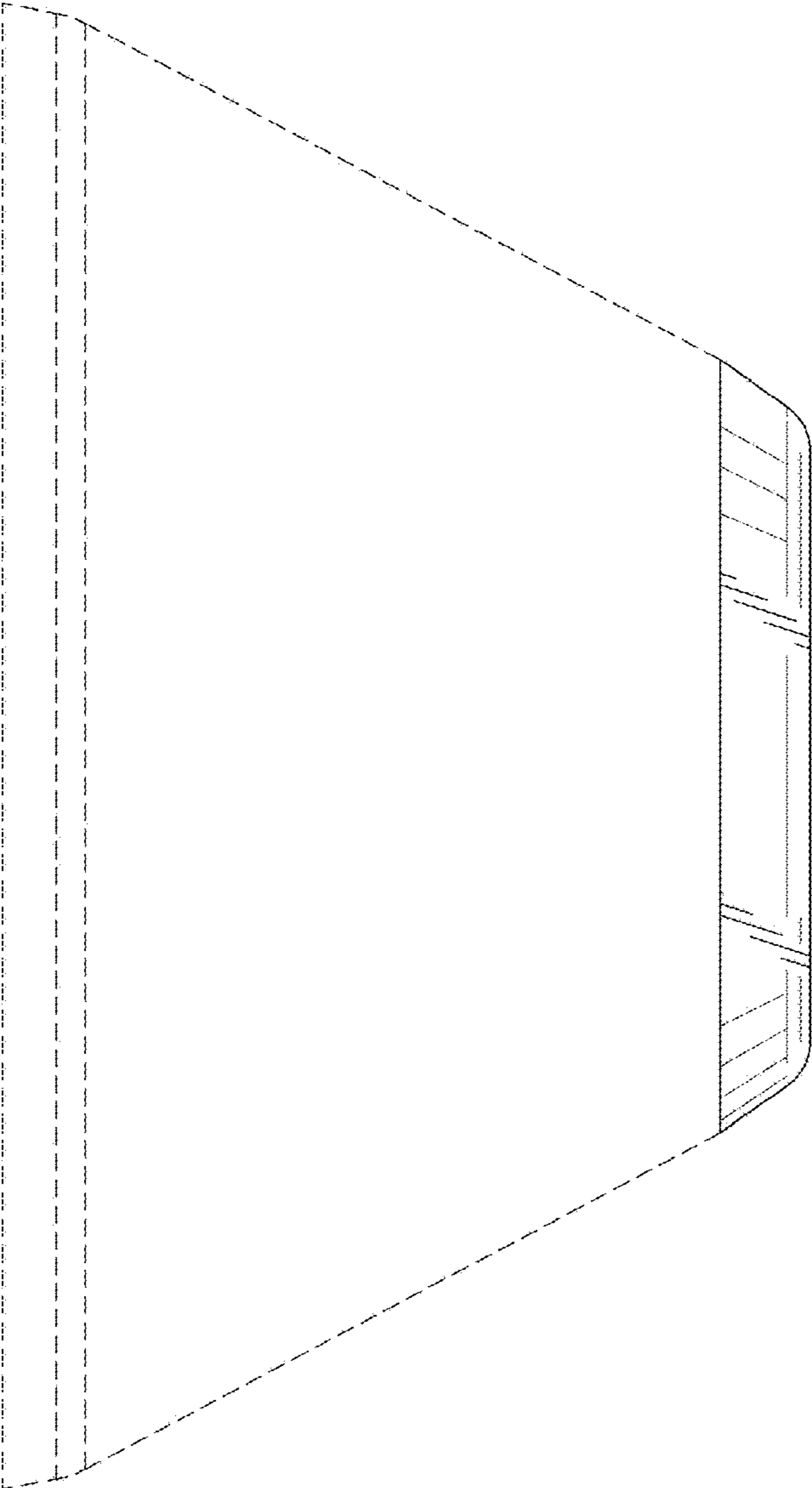


FIG. 6

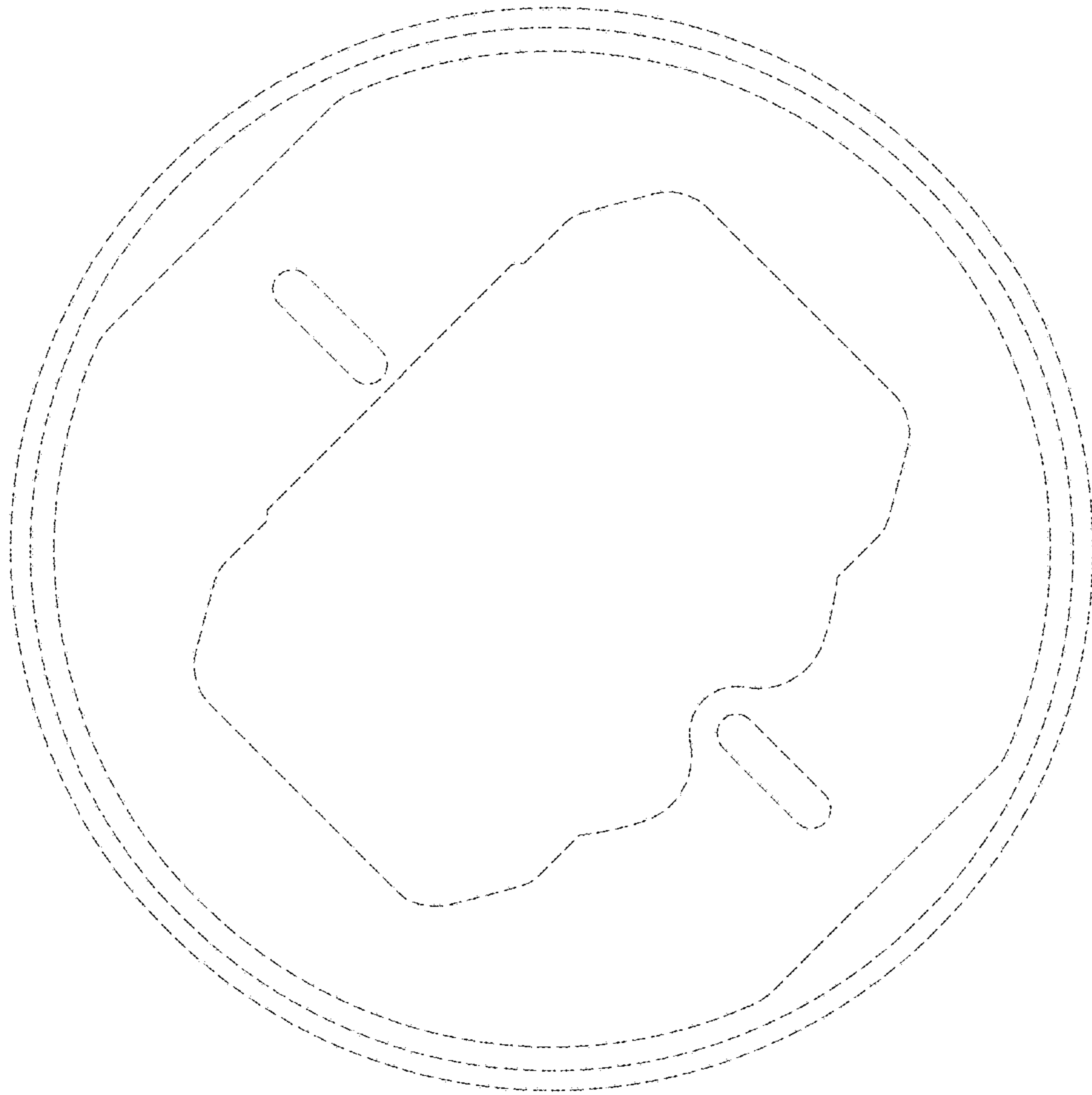


FIG. 7

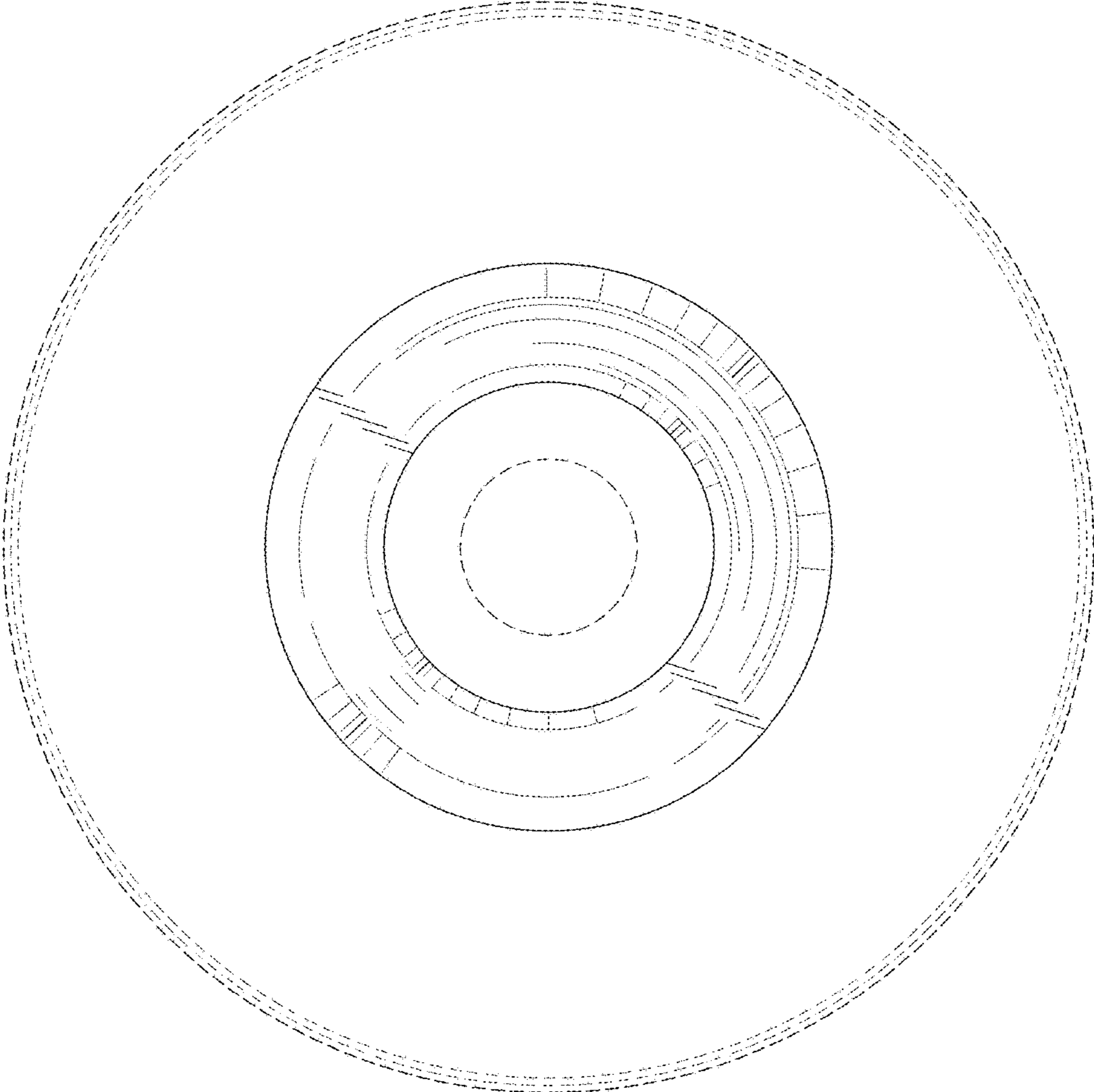


FIG. 8

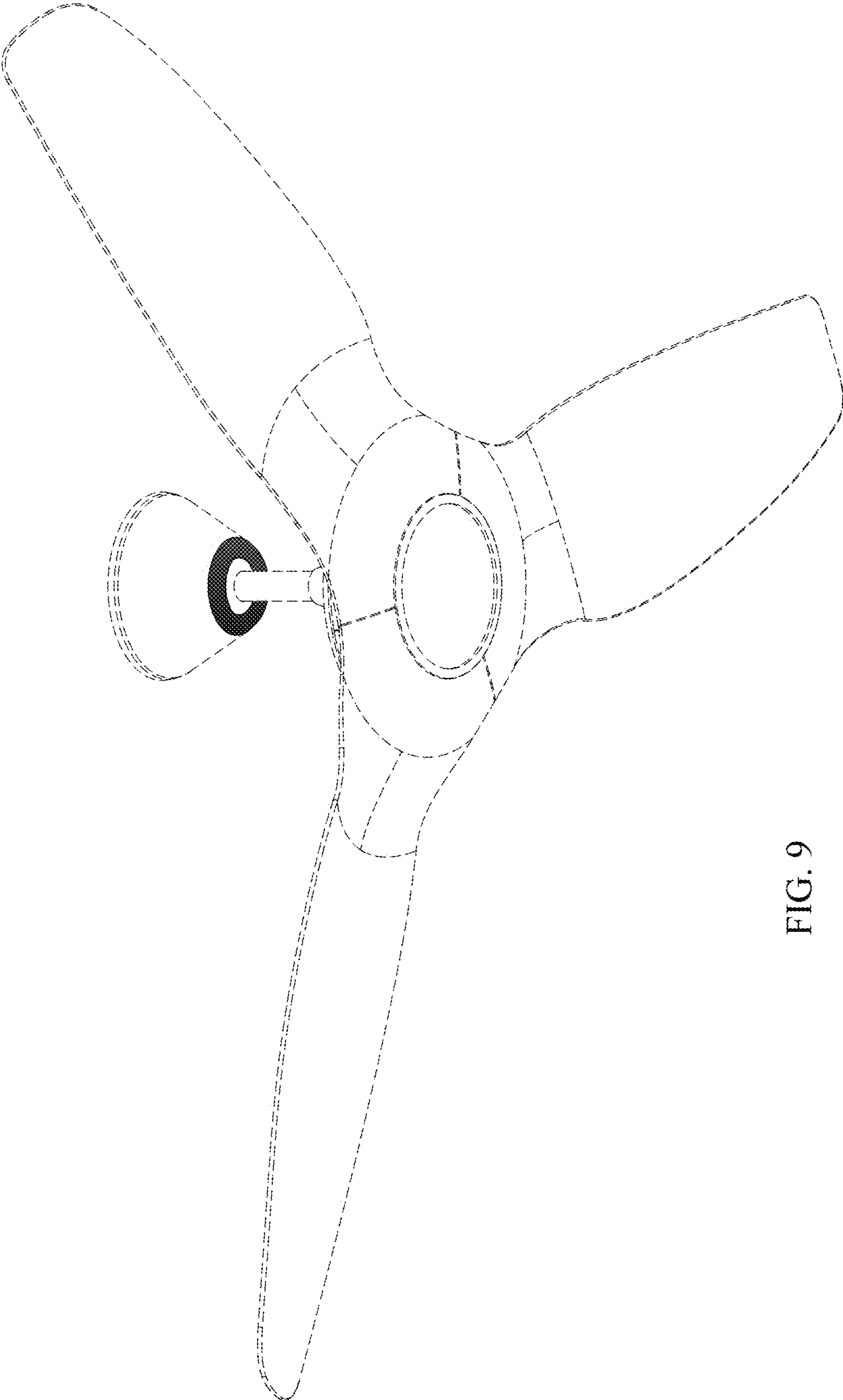


FIG. 9

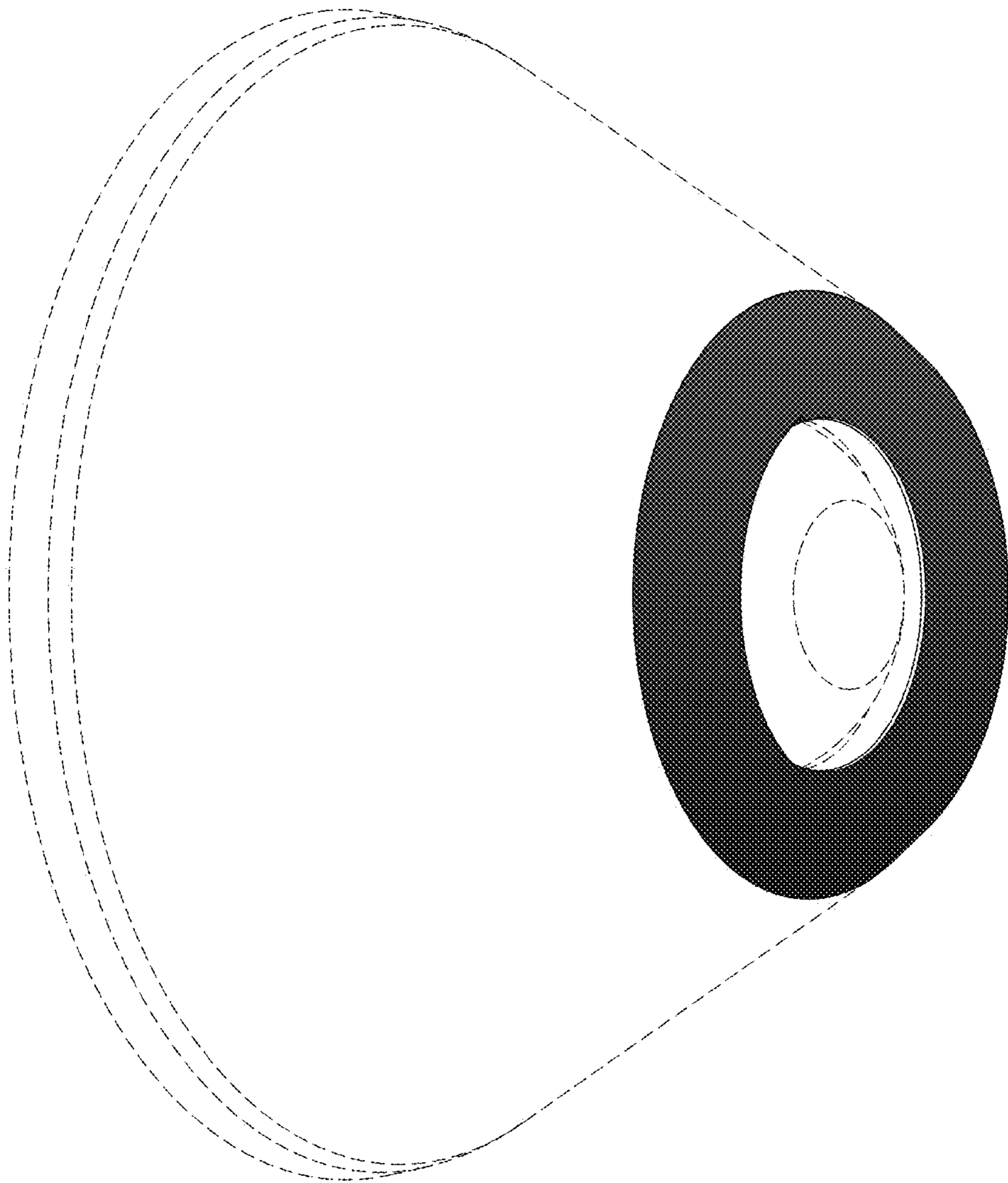


FIG. 10

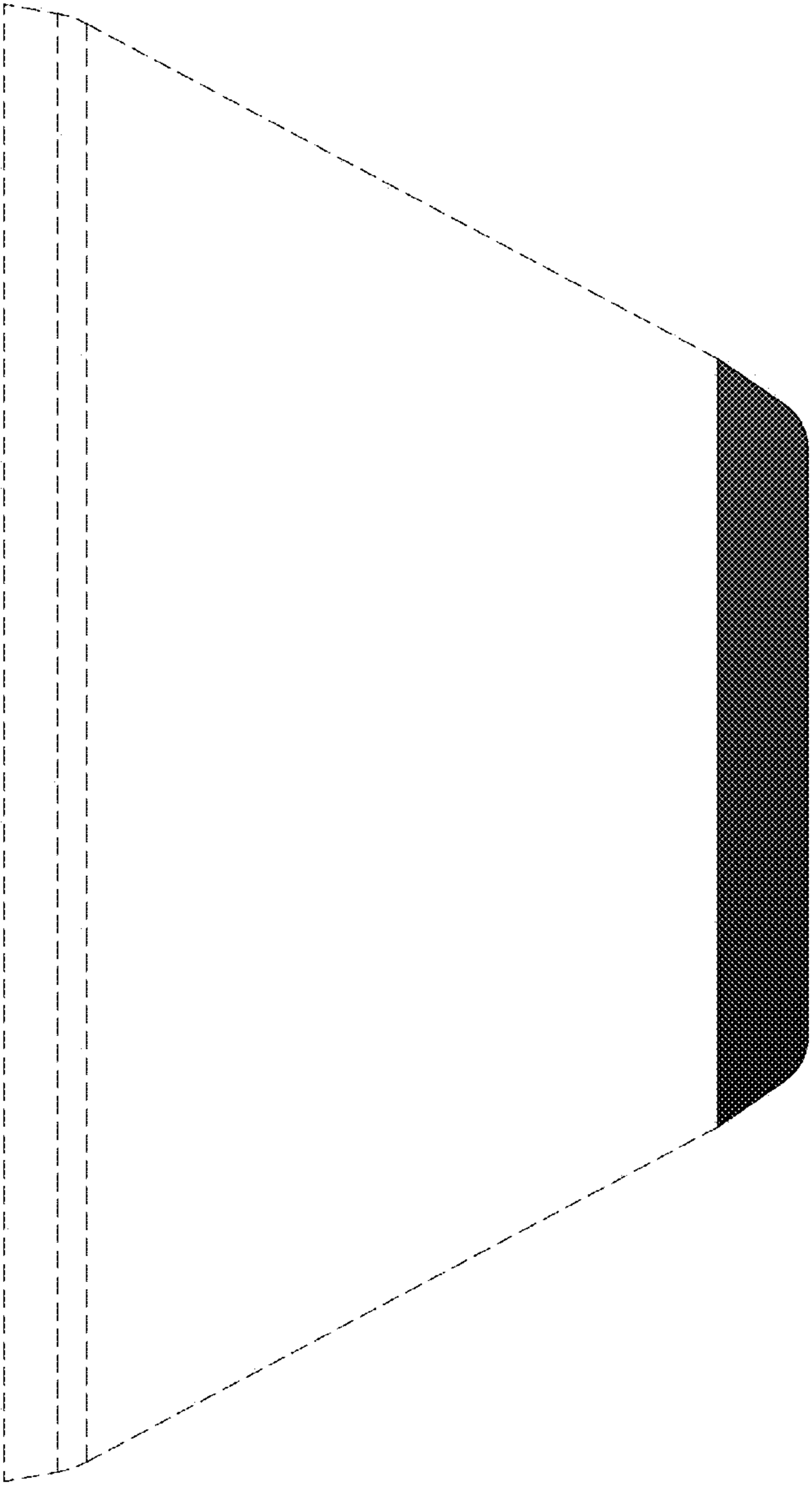


FIG. 11

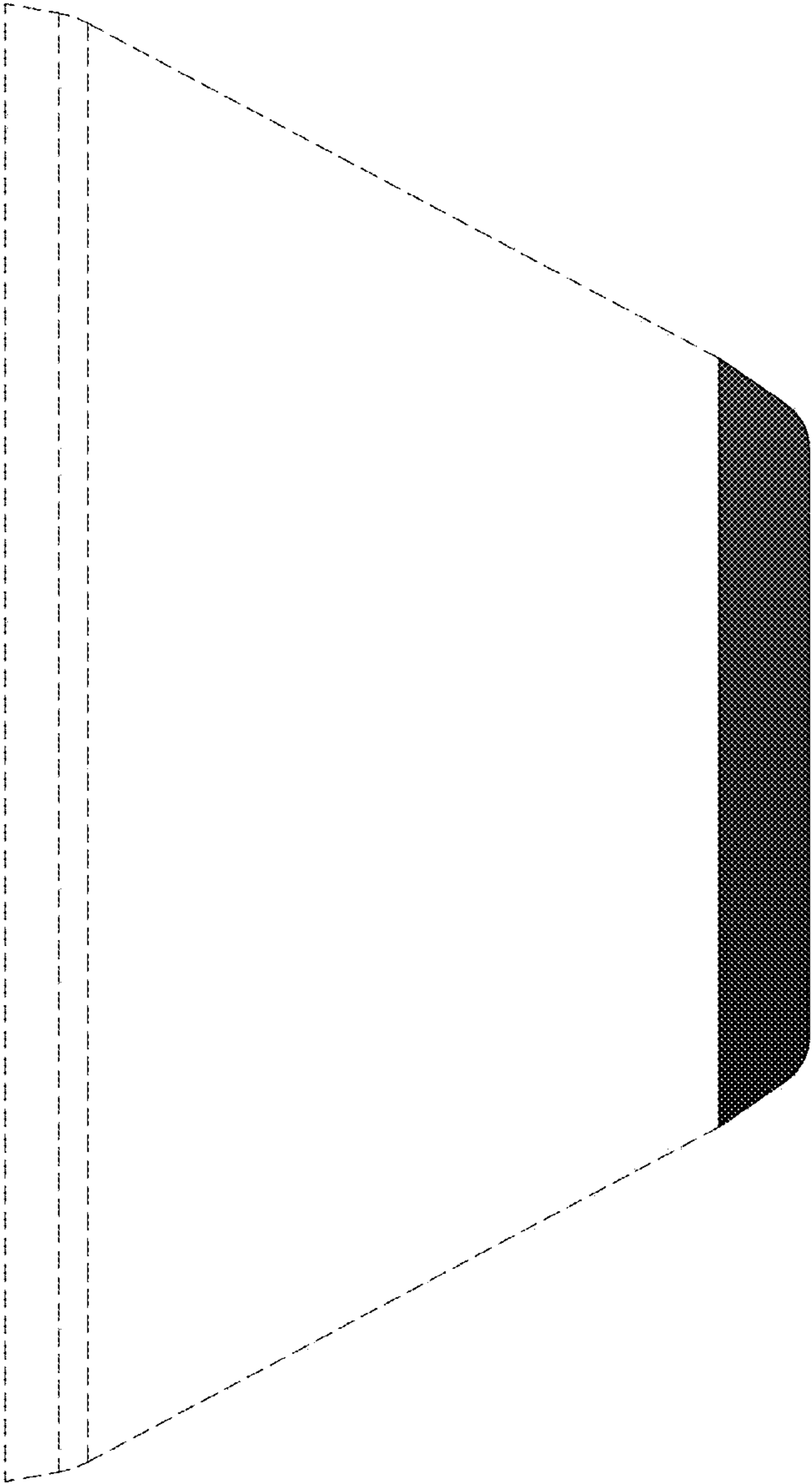


FIG. 12



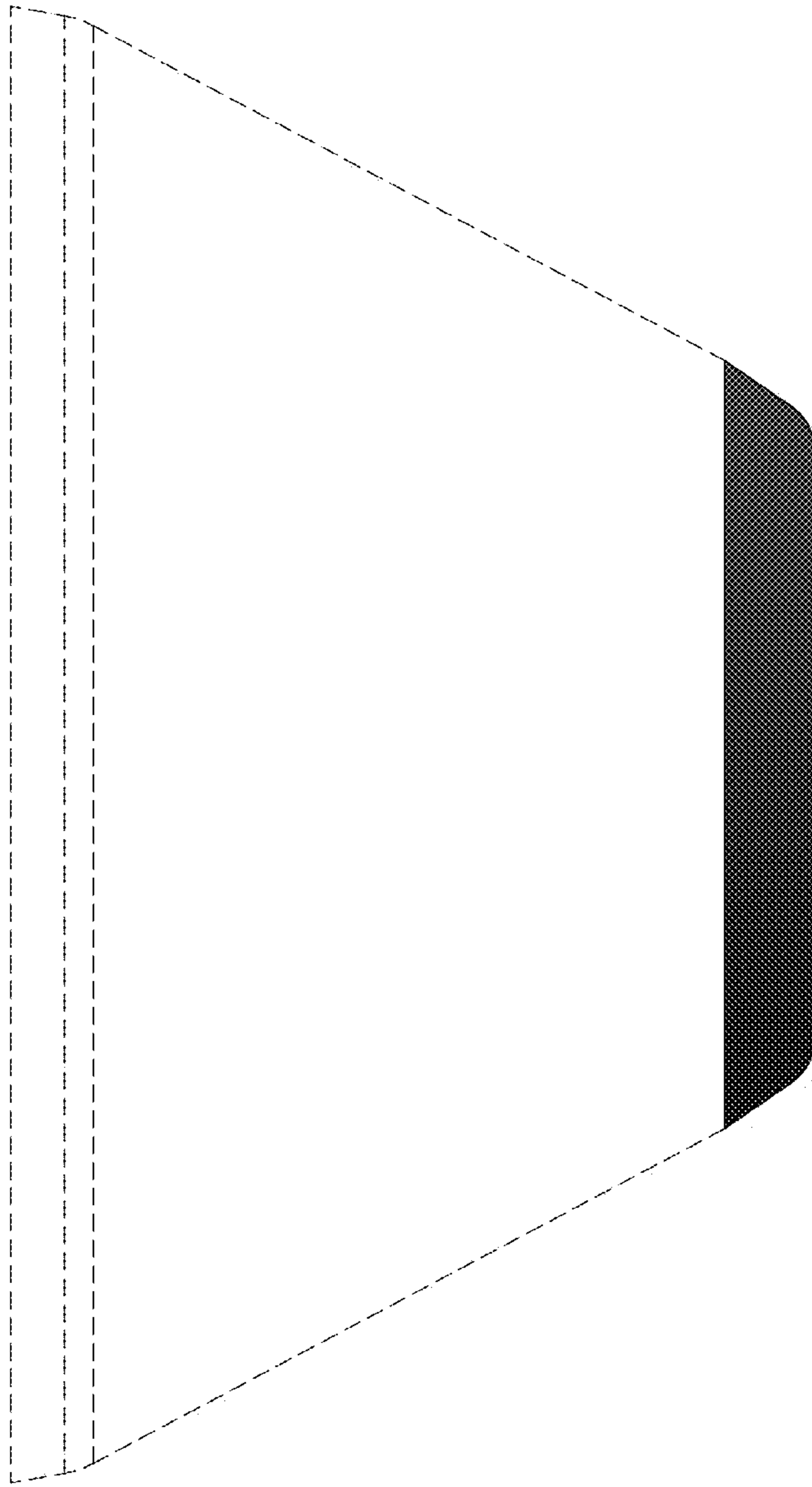


FIG. 13

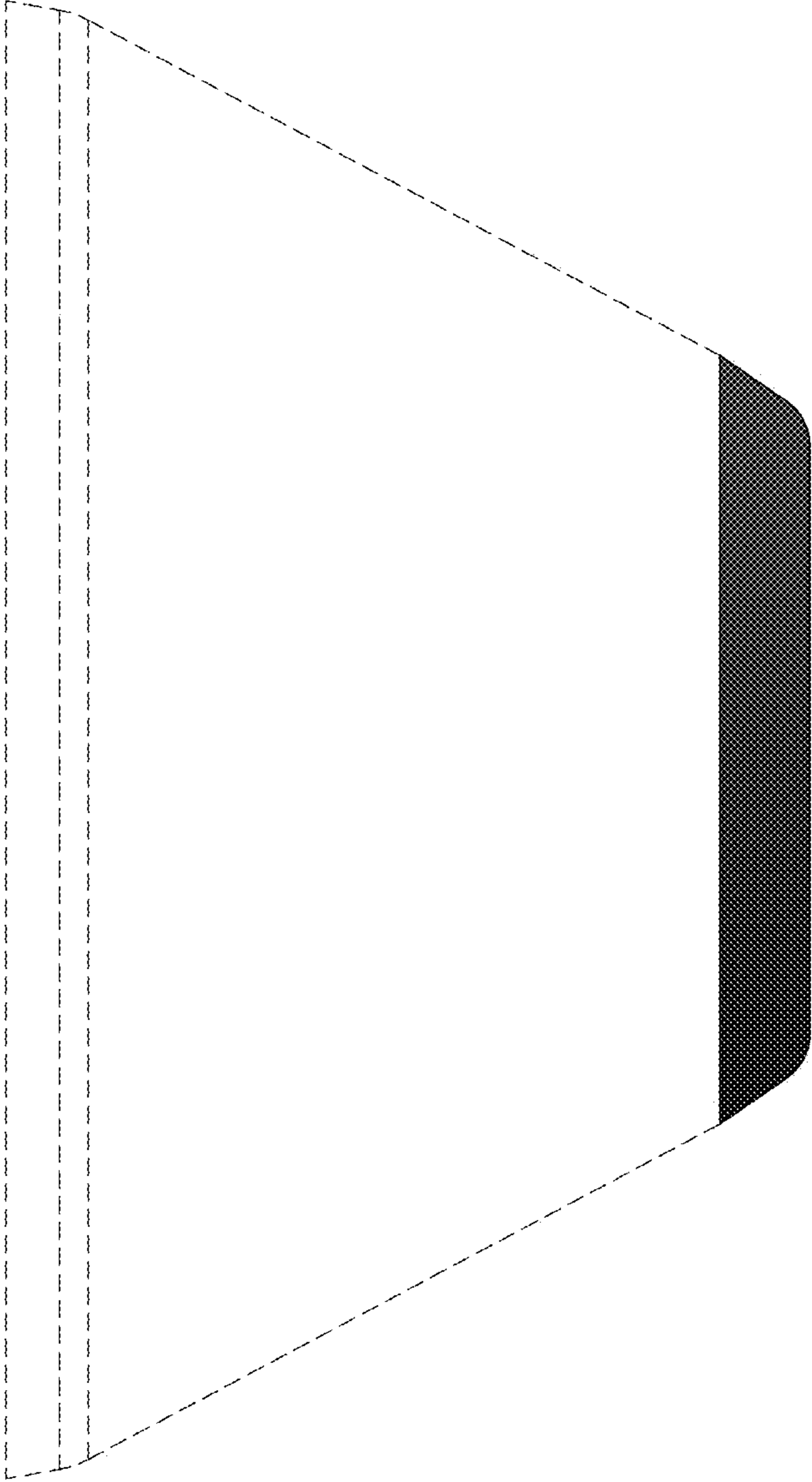


FIG. 14

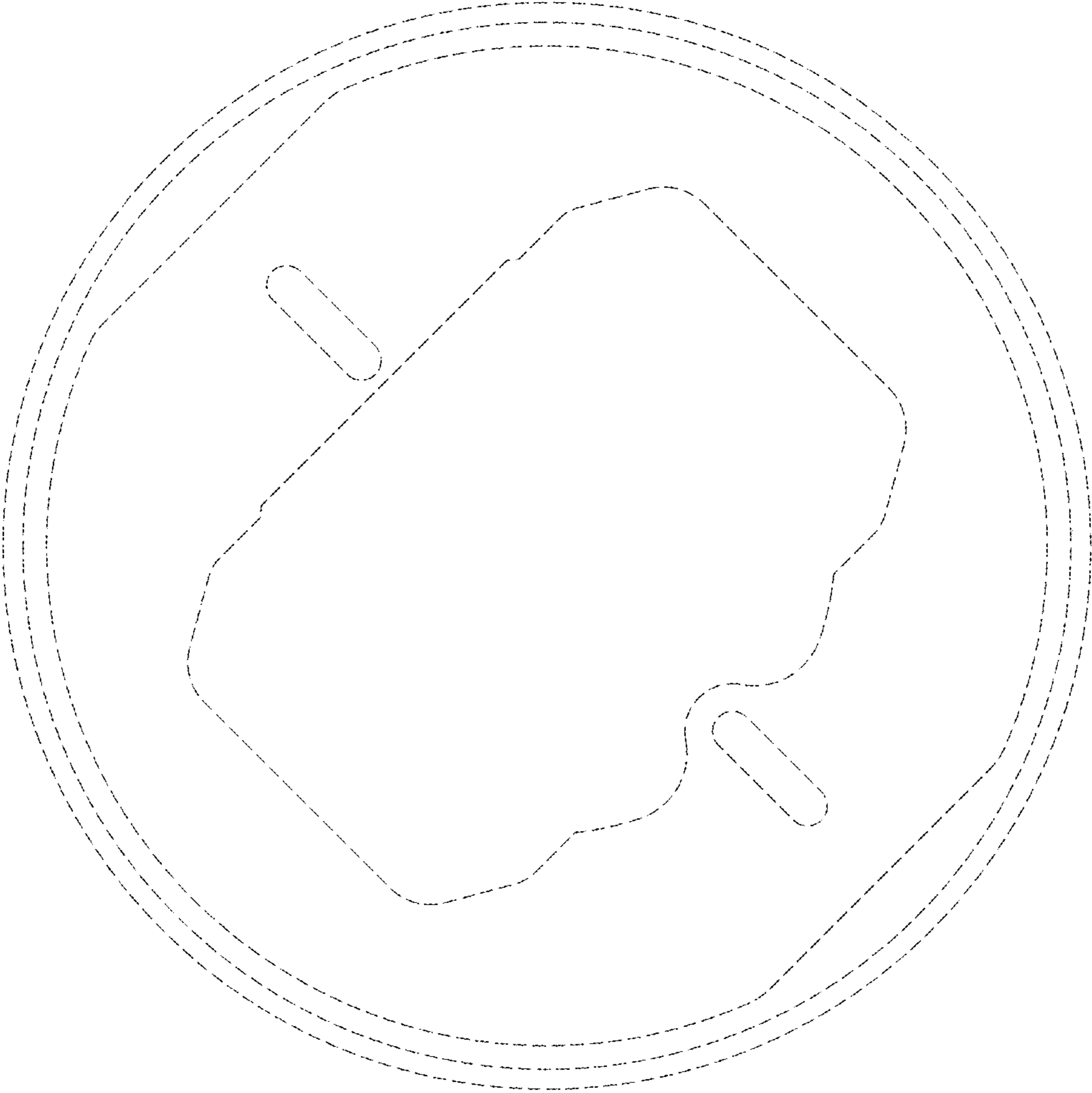


FIG. 15

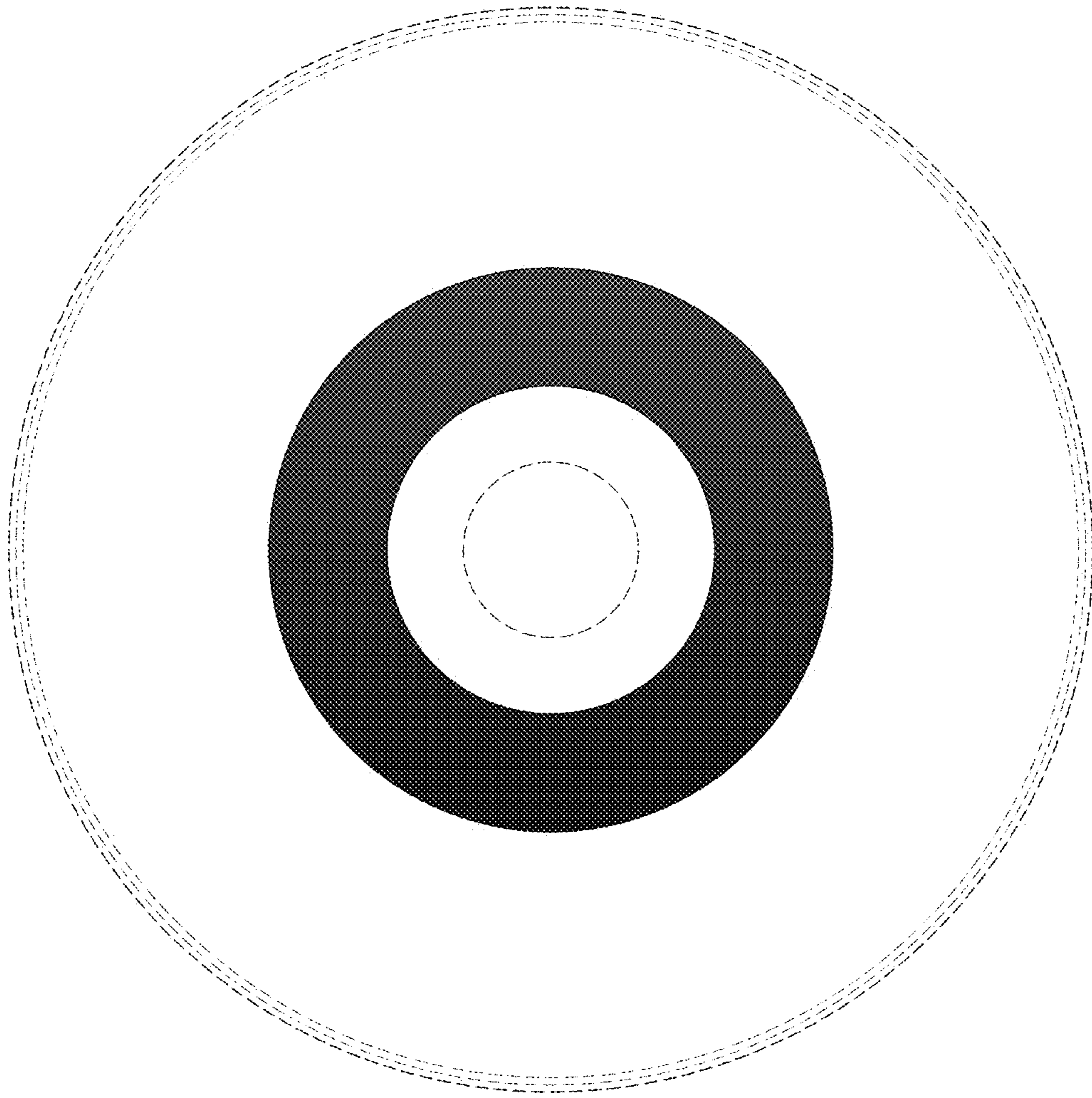


FIG. 16