



US00D847968S

(12) **United States Design Patent** (10) **Patent No.:** **US D847,968 S**
Haney (45) **Date of Patent:** **** May 7, 2019**

- (54) **PORTABLE FAN**
- (71) Applicant: **Lasko Operation Holdings LLC**,
Wilmington, DE (US)
- (72) Inventor: **Sean Haney**, Pottstown, PA (US)
- (73) Assignee: **LASKO OPERATION HOLDINGS LLC**, Wilmington, DE (US)
- (**) Term: **15 Years**
- (21) Appl. No.: **29/614,162**
- (22) Filed: **Aug. 16, 2017**
- (51) **LOC (11) Cl.** **23-04**
- (52) **U.S. Cl.**
USPC **D23/383**
- (58) **Field of Classification Search**
USPC D23/370-383, 411-414, 364, 365;
D32/15
CPC A61L 9/12; A61L 9/04; A61L 9/122
See application file for complete search history.

D512,501 S *	12/2005	Wilson, Jr.	D23/383
D566,823 S *	4/2008	Lewis	D23/383
D594,962 S *	6/2009	Lewis	D23/383
D704,908 S *	5/2014	Cui	D23/383
D810,269 S *	2/2018	Sanders	D23/383
2016/0175472 A1*	6/2016	Tan	A61L 9/122 422/4

* cited by examiner

Primary Examiner — Janice Hallmark

(57) **CLAIM**

The ornamental design for a portable fan, as shown and described.

DESCRIPTION

FIG. 1 is a right side front perspective view of a portable fan showing my new design;
 FIG. 2 is a left side rear perspective view thereof;
 FIG. 3 is a front elevation view thereof;
 FIG. 4 is a right side elevation view thereof;
 FIG. 5 is a left side elevation view thereof;
 FIG. 6 is a rear elevation view thereof; and,
 FIG. 7 is a top plan view thereof.

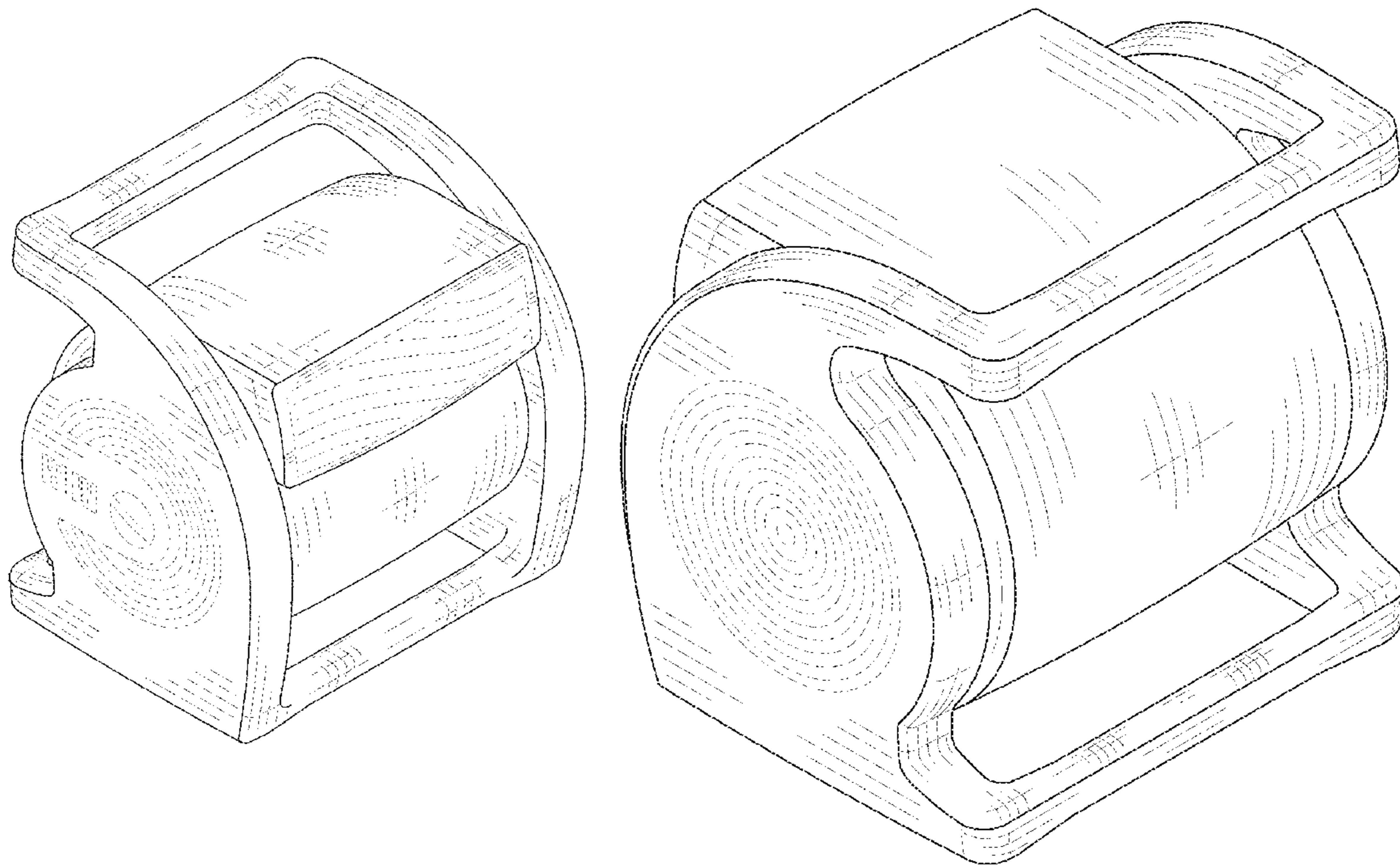
The broken line showing of a front grill, right side controls, right side grill, and left side grill are included for the purpose of illustrating environmental structure and forms no part of the claimed design.

1 Claim, 7 Drawing Sheets

(56) **References Cited**

U.S. PATENT DOCUMENTS

D482,772 S *	11/2003	Dooley	D23/383
D512,500 S *	12/2005	Wilson, Jr.	D23/383



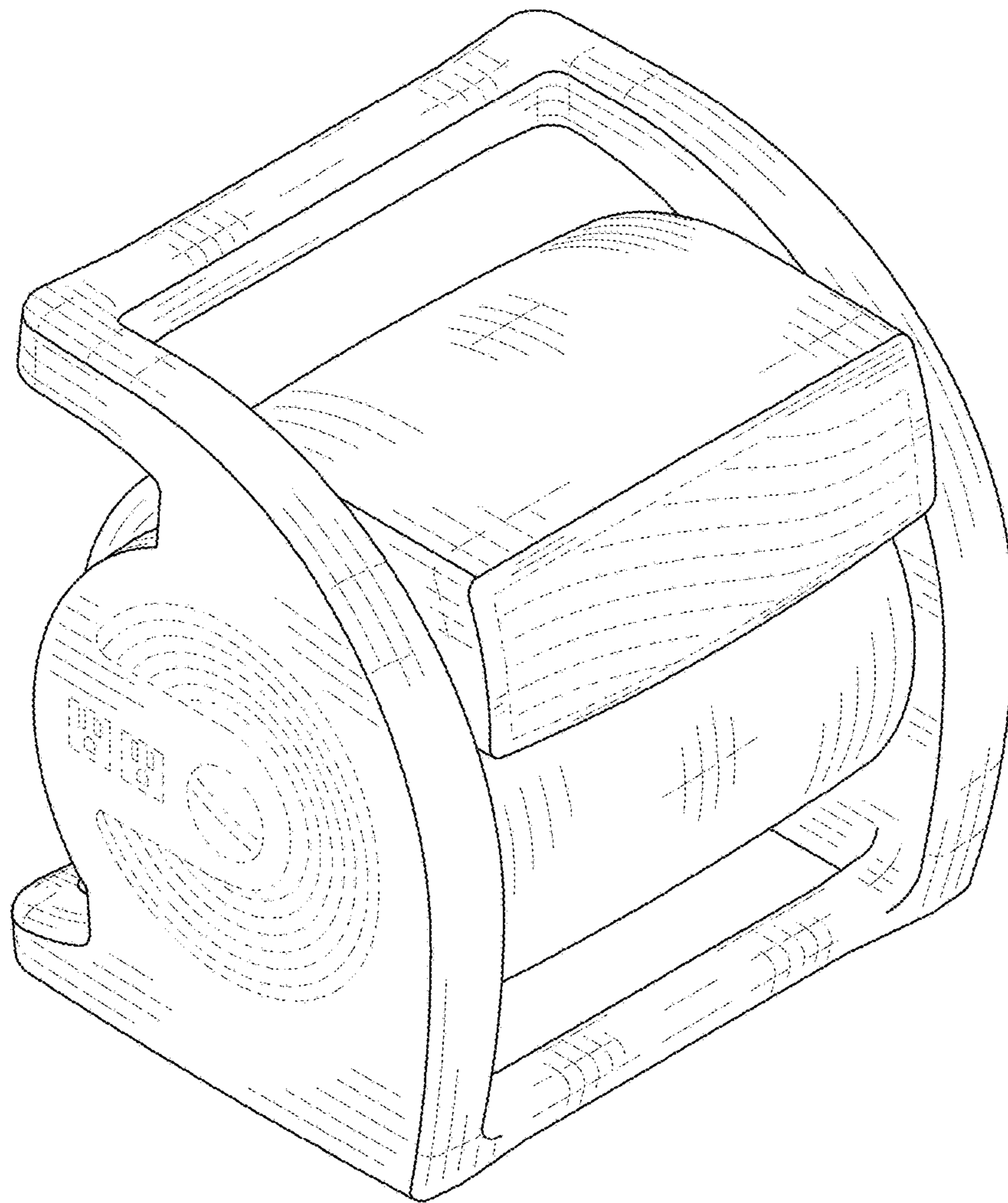


FIG. 1

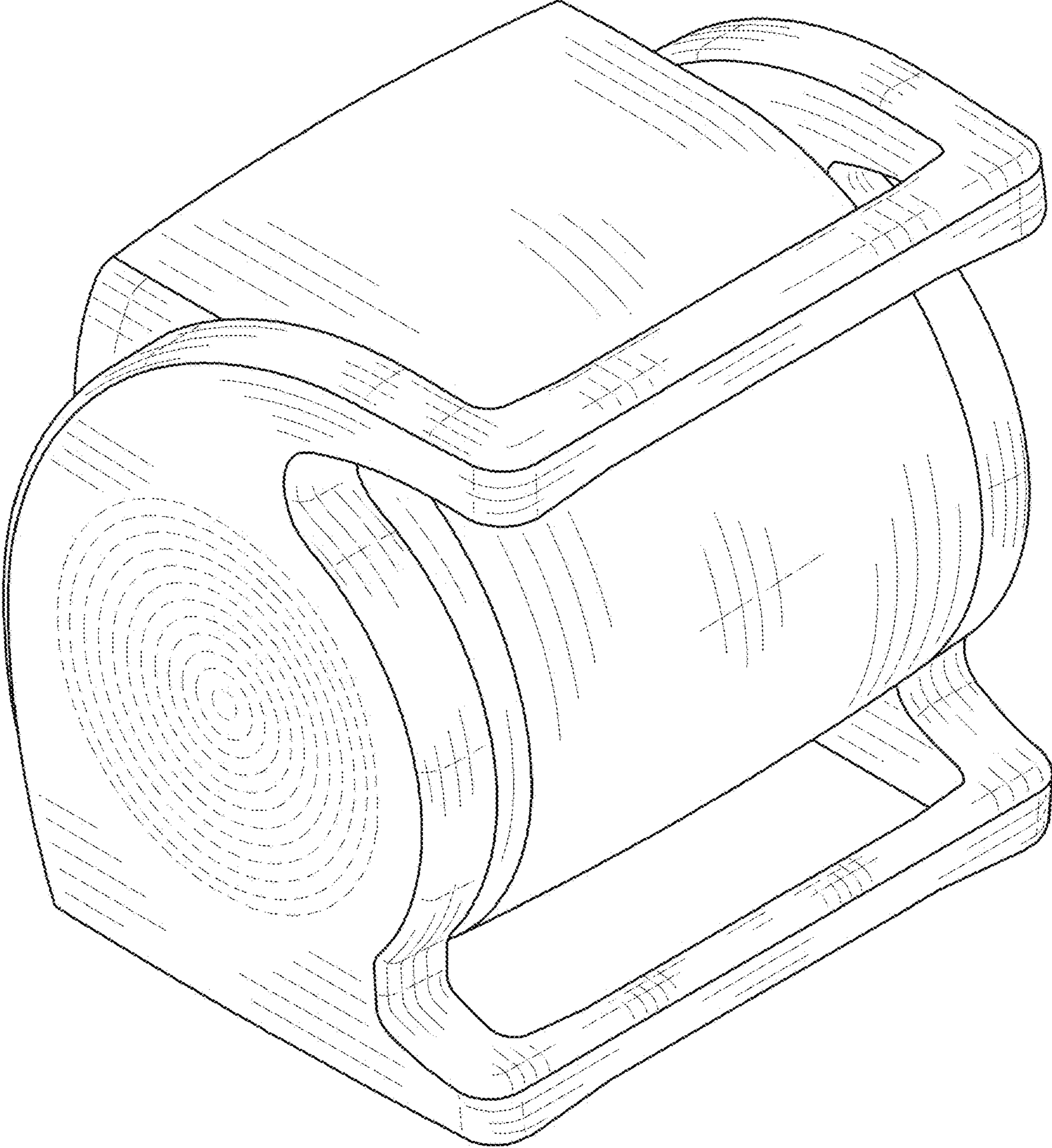


FIG. 2

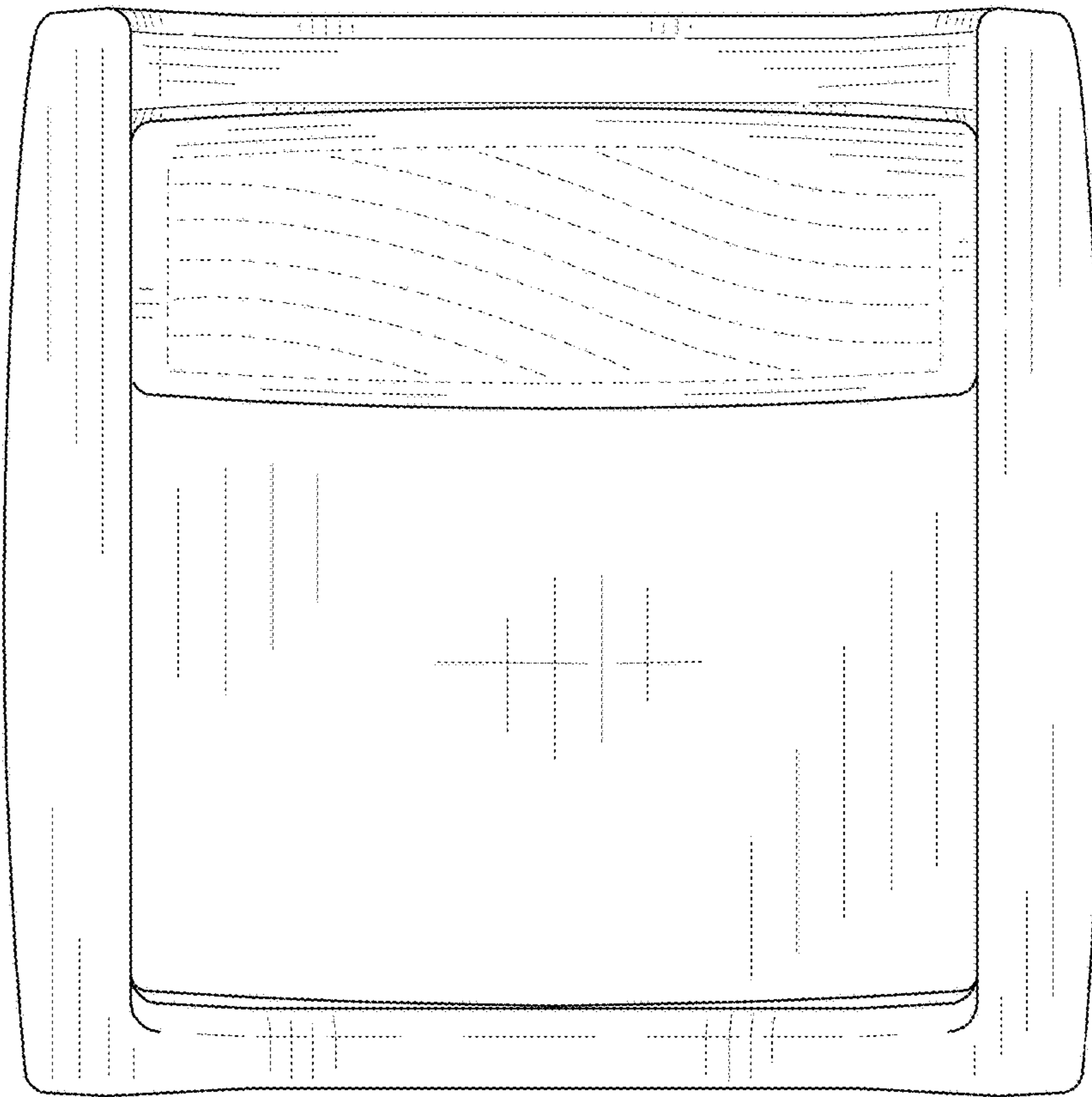


FIG. 3

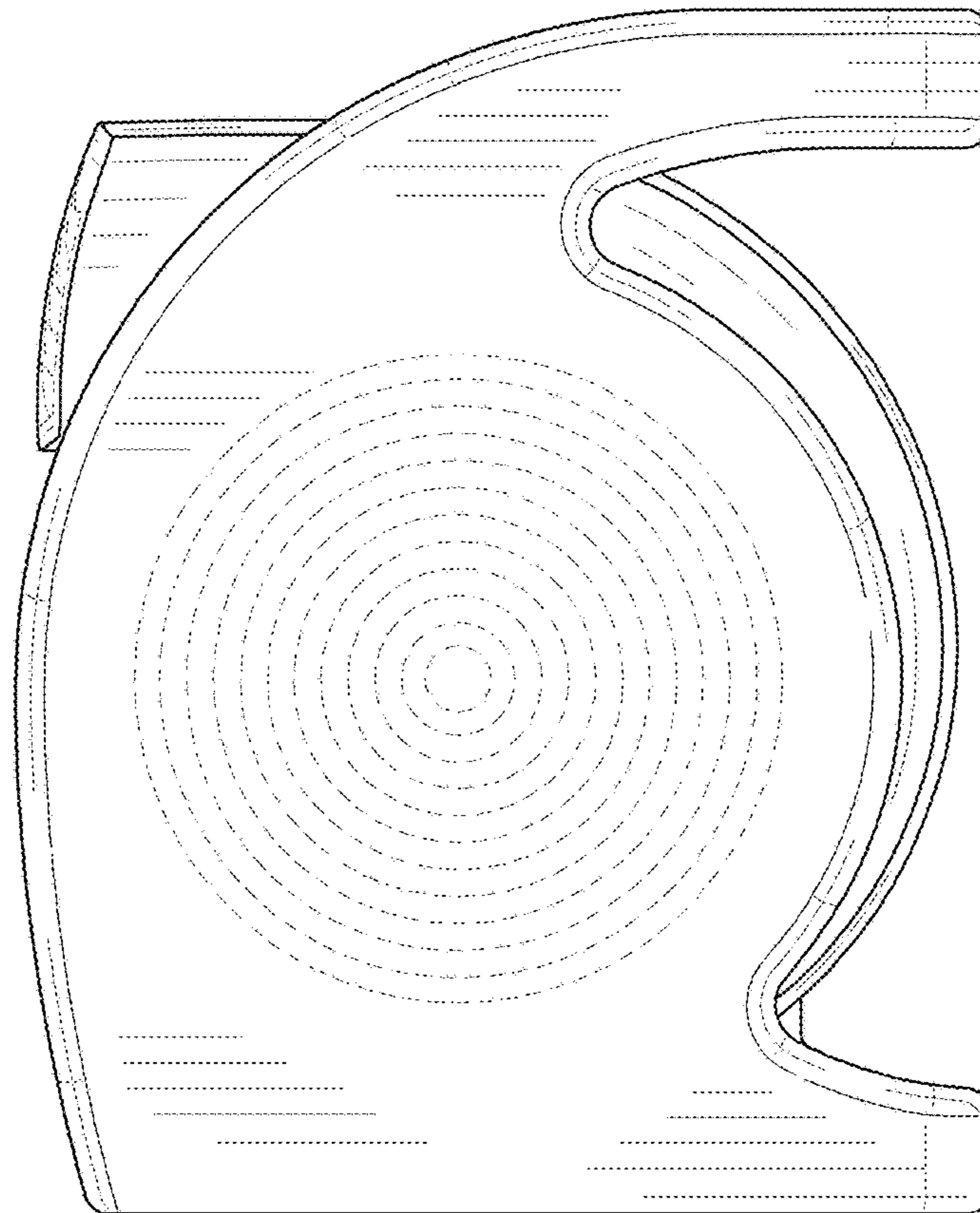


FIG. 4

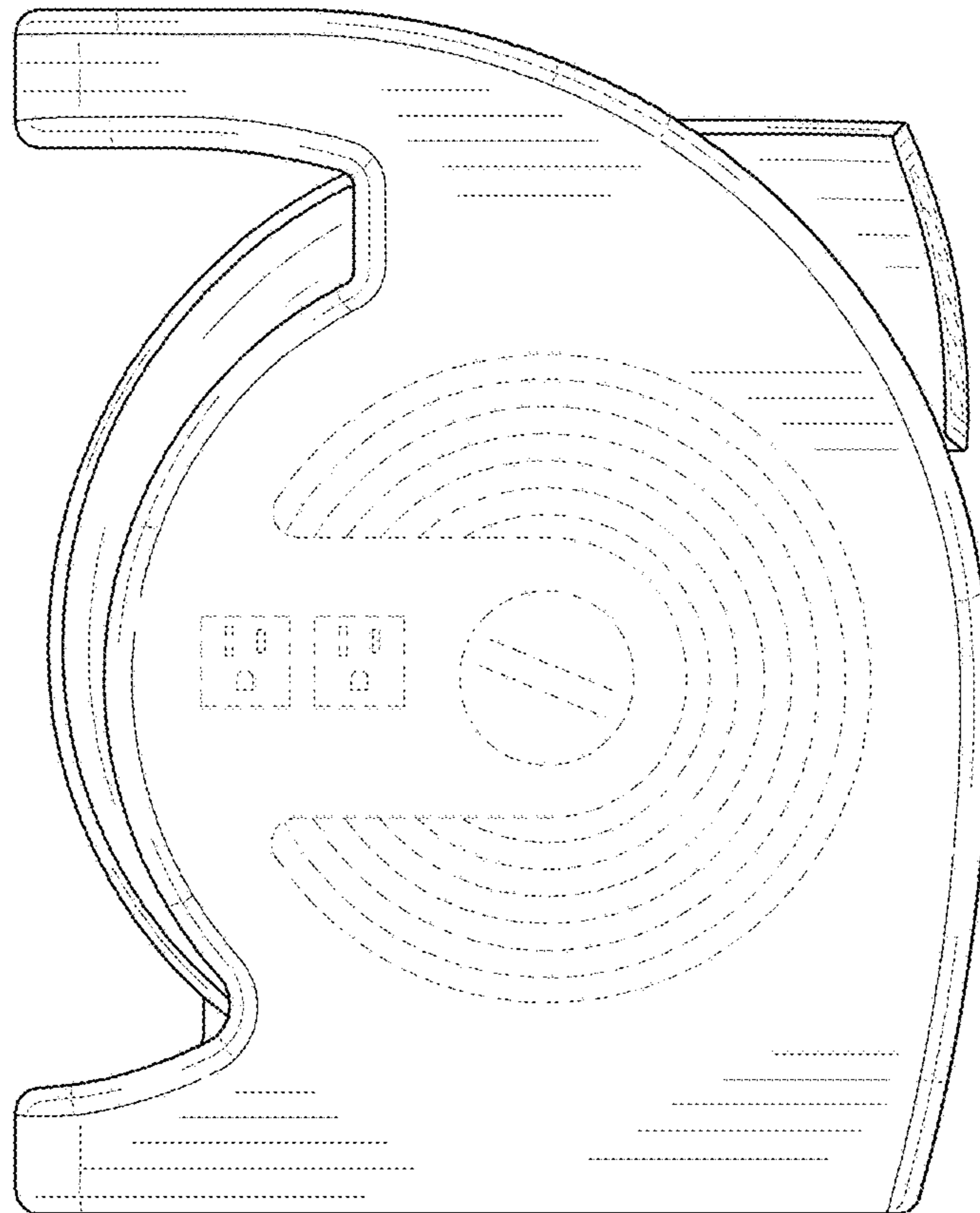


FIG. 5

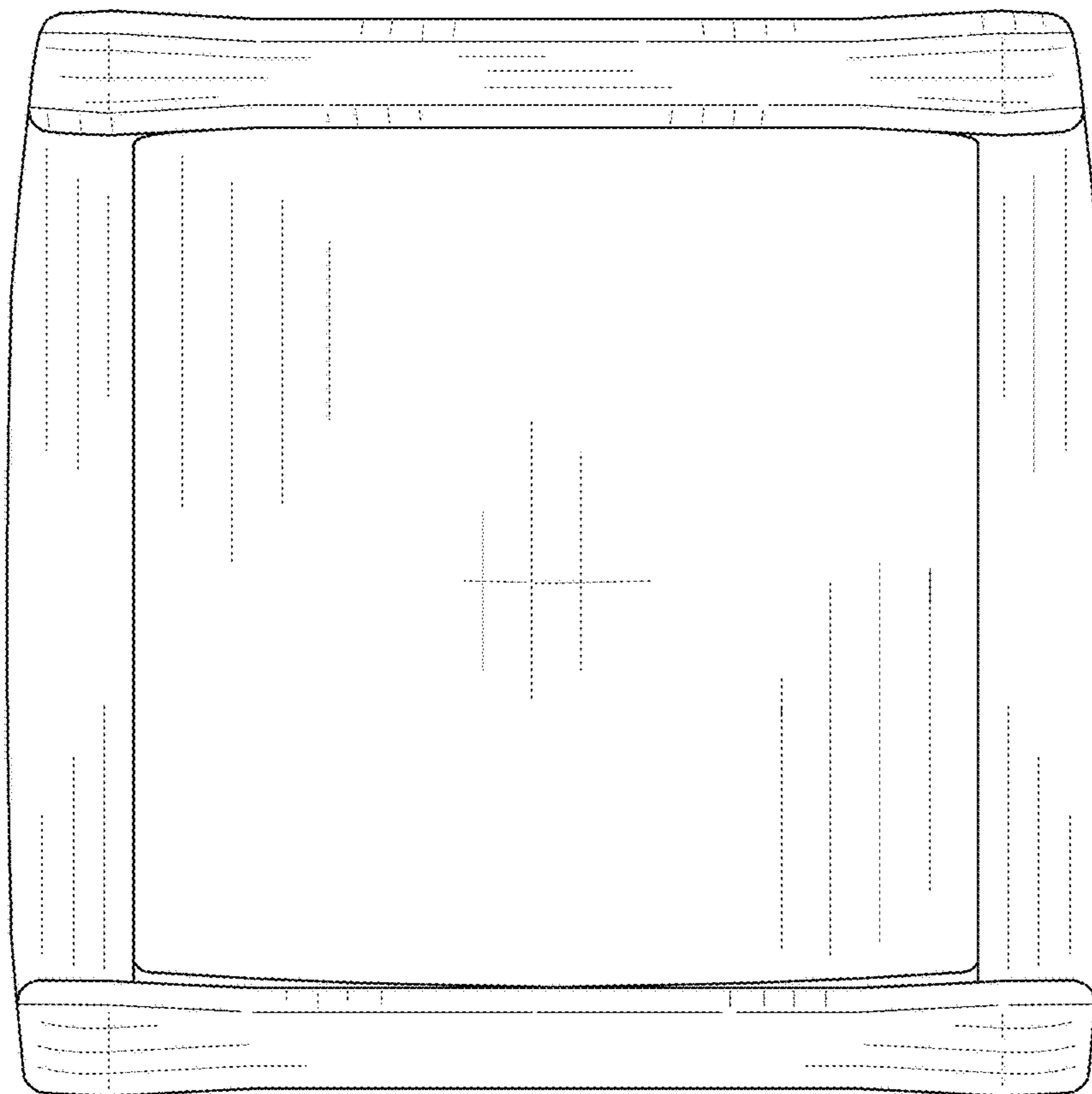


FIG. 6

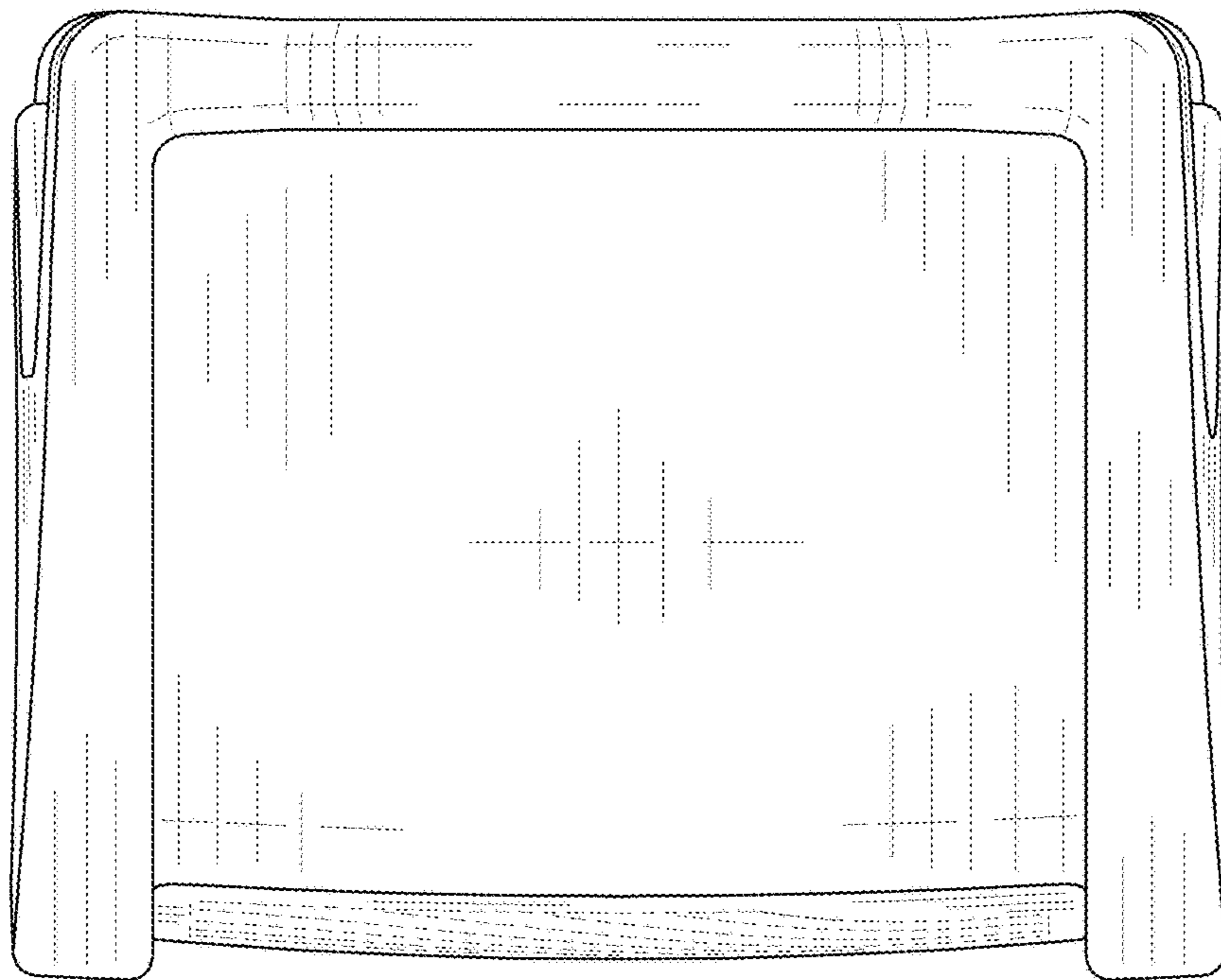


FIG. 7