



US00D847967S

(12) **United States Design Patent**  
**Hernández et al.**

(10) **Patent No.:** **US D847,967 S**

(45) **Date of Patent:** **\*\* May 7, 2019**

(54) **VENTILATING FAN**

CPC .... F04D 29/329; F04D 29/526; F04D 29/325;  
F04D 29/703; F04D 29/547; F04D  
25/082; B65D 90/36; F23L 17/02; F24F  
13/1406; F24F 1/02

(71) Applicant: **RESIDENTIAL AIR-CON HOLDING  
APS, Vedbæk (DK)**

See application file for complete search history.

(72) Inventors: **Gabriel Gerardo Martínez  
Hernández, Kongens Lyngby (DK);  
Paolo Radrizzani, Lissone (IT)**

(56) **References Cited**

**U.S. PATENT DOCUMENTS**

(\*\*) Term: **15 Years**

(21) Appl. No.: **35/503,357**

(22) Filed: **Apr. 6, 2017**

(80) **Hague Agreement Data**

Int. Filing Date: **Apr. 6, 2017**

Int. Reg. No.: **DM/096702**

Int. Reg. Date: **Apr. 6, 2017**

Int. Reg. Pub. Date: **Jul. 14, 2017**

(30) **Foreign Application Priority Data**

Oct. 6, 2016 (EM) ..... 003407717

(51) **LOC (11) Cl.** ..... **23-04**

(52) **U.S. Cl.**  
USPC ..... **D23/370**

(58) **Field of Classification Search**  
USPC ..... D23/370, 355, 314, 414, 371, 377, 385,  
D23/411, 383, 373, 378

D409,741 S *	5/1999	Yuen-Ming .....	D23/370
D557,398 S *	12/2007	Moore .....	D23/382
D681,184 S *	4/2013	Romero Carreras .....	D23/370
D775,719 S *	1/2017	Smith .....	D23/370
D802,113 S *	11/2017	Hoss .....	D23/370
D807,487 S *	1/2018	Delerue .....	D23/382
D810,911 S *	2/2018	Hoss .....	D23/370
D814,008 S *	3/2018	Munz .....	D23/370
2015/0219117 A1 *	8/2015	Heli .....	F04D 29/4226 415/178

\* cited by examiner

*Primary Examiner* — Melanie Pellegrini

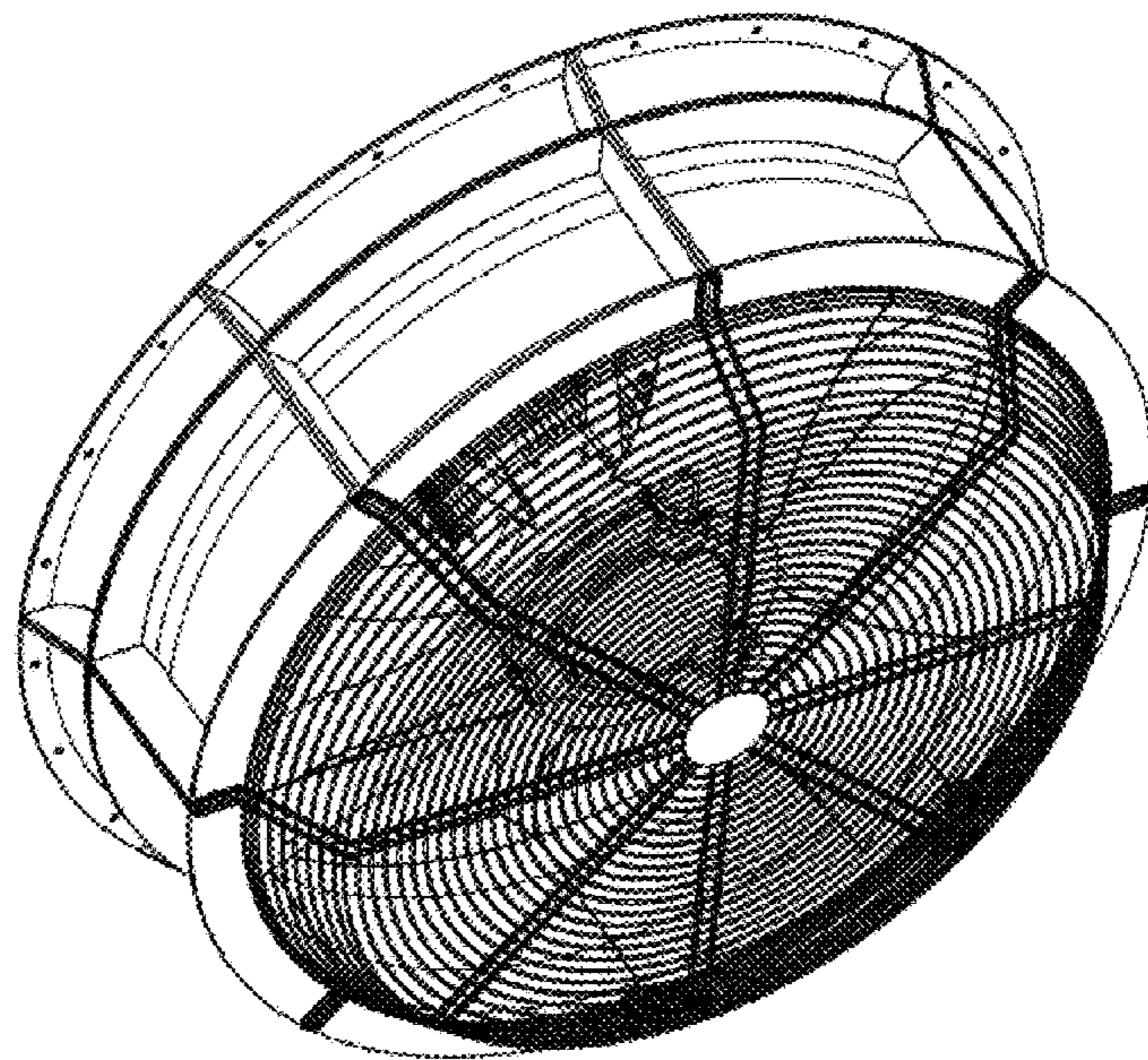
(57) **CLAIM**

The ornamental design for a ventilating fan, as shown and described.

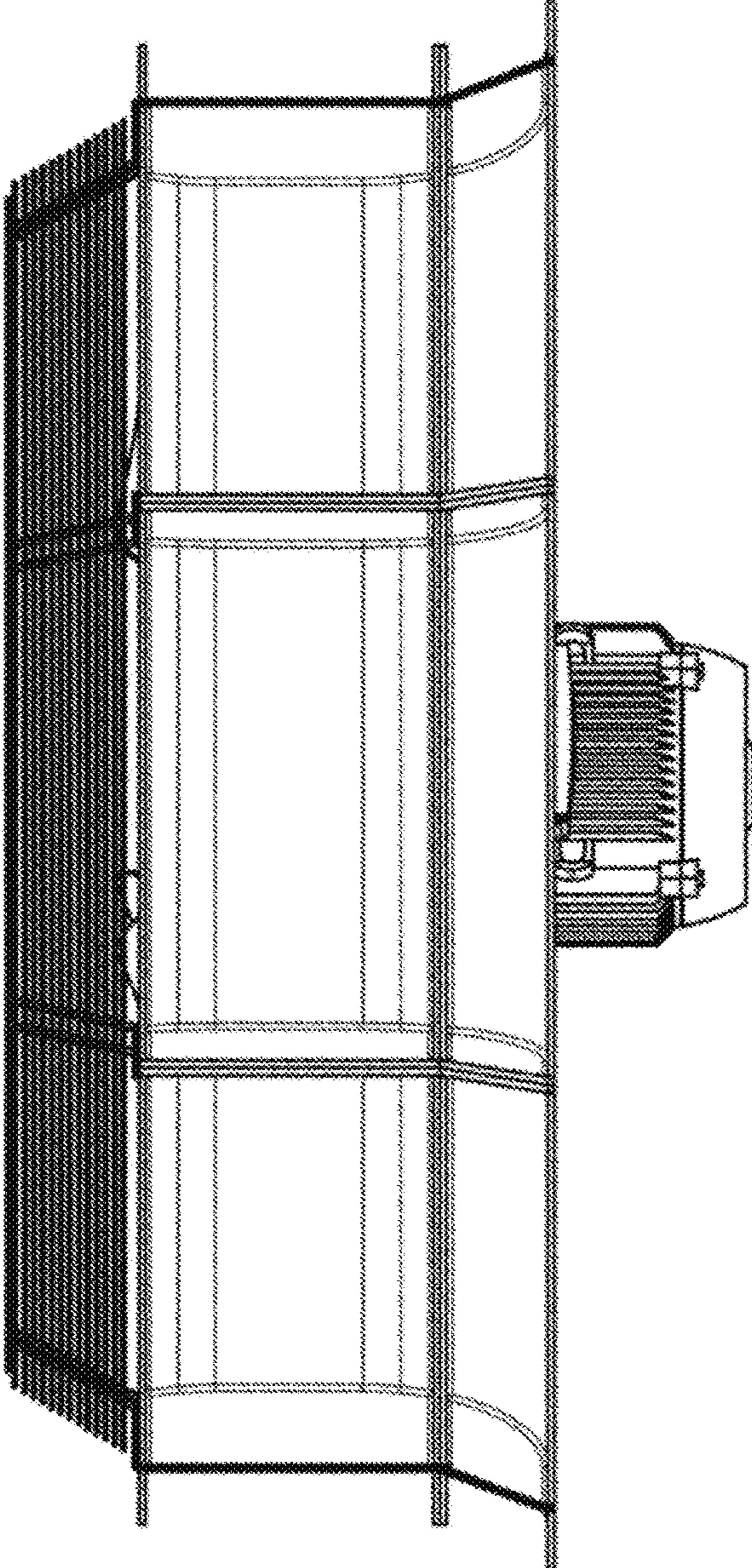
**DESCRIPTION**

- 1.1 right side
- 1.2 front perspective
- 1.3 rear perspective
- 1.4 front view

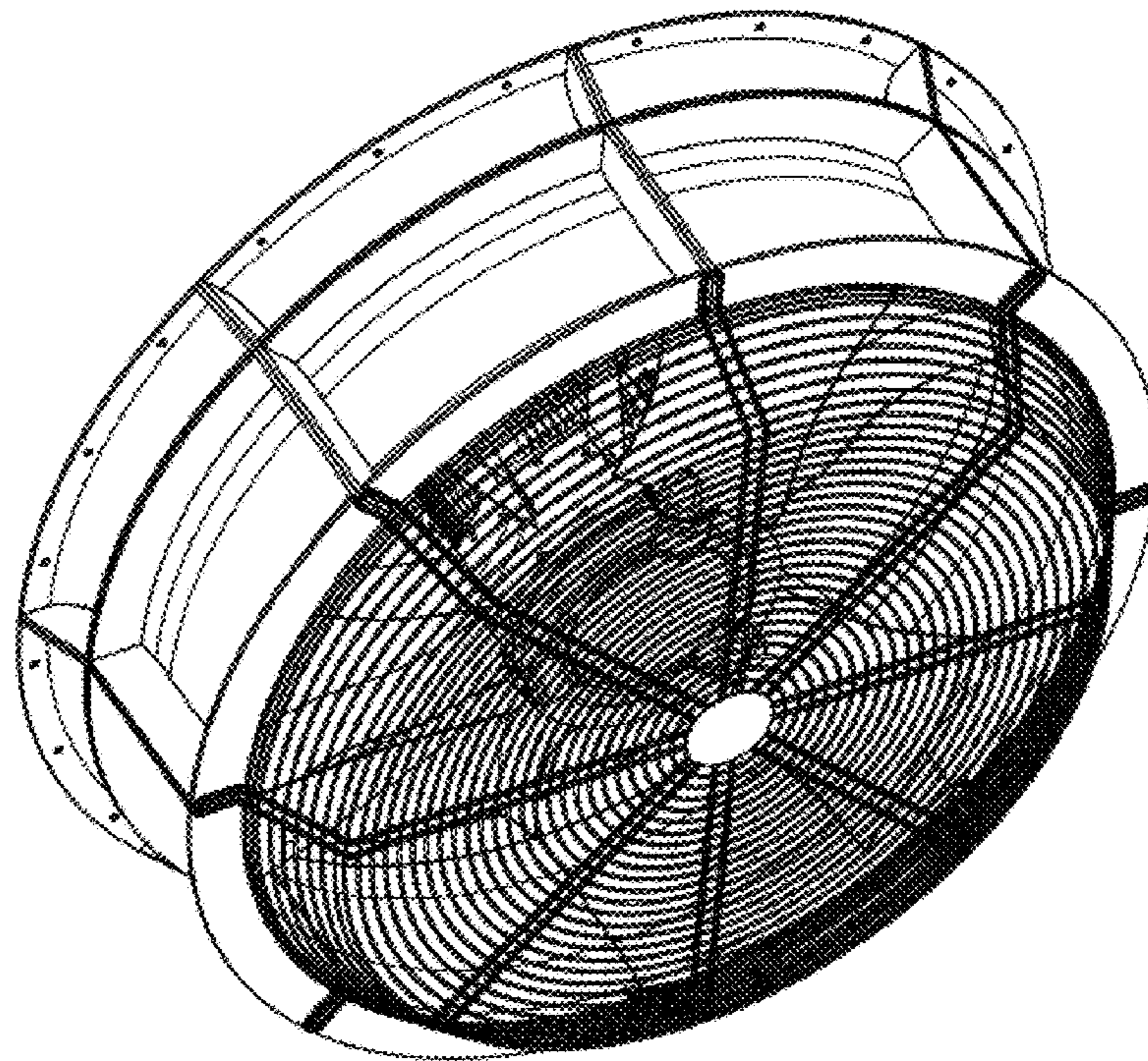
**1 Claim, 4 Drawing Sheets**



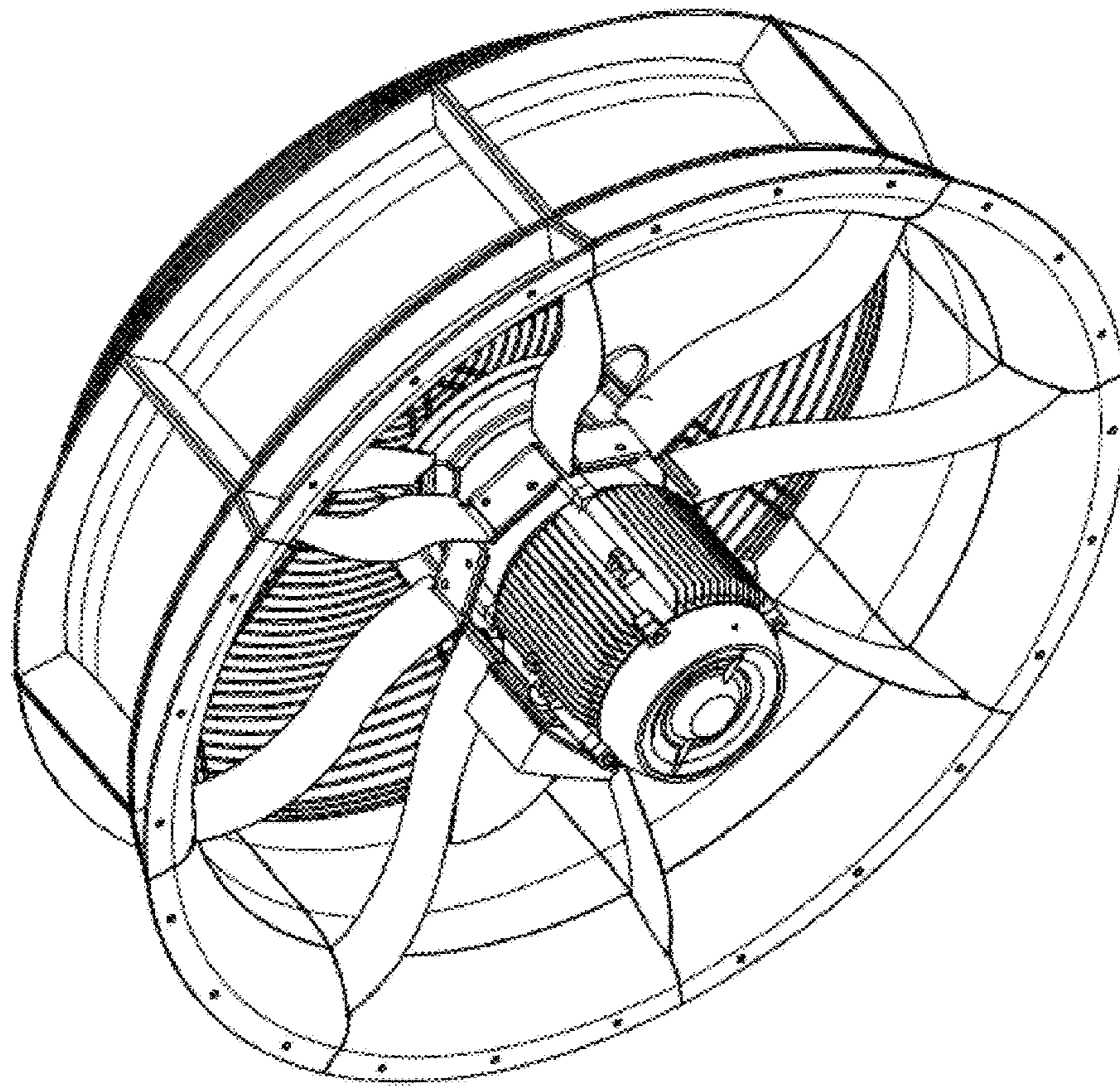
1.1



1.2



1.3



1.4

