



US00D847965S

(12) **United States Design Patent** (10) **Patent No.:** **US D847,965 S**
Wang (45) **Date of Patent:** **** May 7, 2019**

(54) **ESSENTIAL OIL DIFFUSER**

(71) Applicant: **Junzheng Wang**, Shenzhen (CN)

(72) Inventor: **Junzheng Wang**, Shenzhen (CN)

(**) Term: **15 Years**

(21) Appl. No.: **29/630,676**

(22) Filed: **Dec. 21, 2017**

(51) **LOC (11) Cl.** **28-99**

(52) **U.S. Cl.**
USPC **D23/366**

(58) **Field of Classification Search**
USPC D23/314, 325, 333–336, 355–367,
D23/386–388; D11/143–155, 164;
D9/504, 529, 552, 558, 689; D26/9
CPC . A61L 9/03; A61L 9/012; A61L 9/015; A61L
9/037

See application file for complete search history.

(56) **References Cited**

U.S. PATENT DOCUMENTS

D307,938 S *	5/1990	Fish	D23/367
D474,534 S *	5/2003	Choke-arpornchai	D23/366
D573,026 S *	7/2008	Tsai	D9/435
D598,527 S *	8/2009	Fitsch	D23/356
D684,298 S *	6/2013	Liang	D26/118
D696,763 S *	12/2013	Li	D23/366
D733,563 S *	7/2015	Oberlender	D9/519
D789,777 S *	6/2017	Sotto	D8/378
D813,368 S *	3/2018	Zuo	D23/366

OTHER PUBLICATIONS

Zerodis Ultrasonic Air Humidifier Essential Oil Diffuser found online [Nov. 17, 2018]—https://www.amazon.com/Zerodis-Ultrasonic-Humidifier-Essential-Aromatherapy/dp/B07GNLNHNX/ref=sr_1_778_s_it?s=beauty&ie=UTF8&qid=1542384520&sr=1-778&keywords=aroma+diffuser.*

* cited by examiner

Primary Examiner — Karen E Kearney

Assistant Examiner — John A Voytek

(74) *Attorney, Agent, or Firm* — Li & Cai Intellectual Property (USA) Office

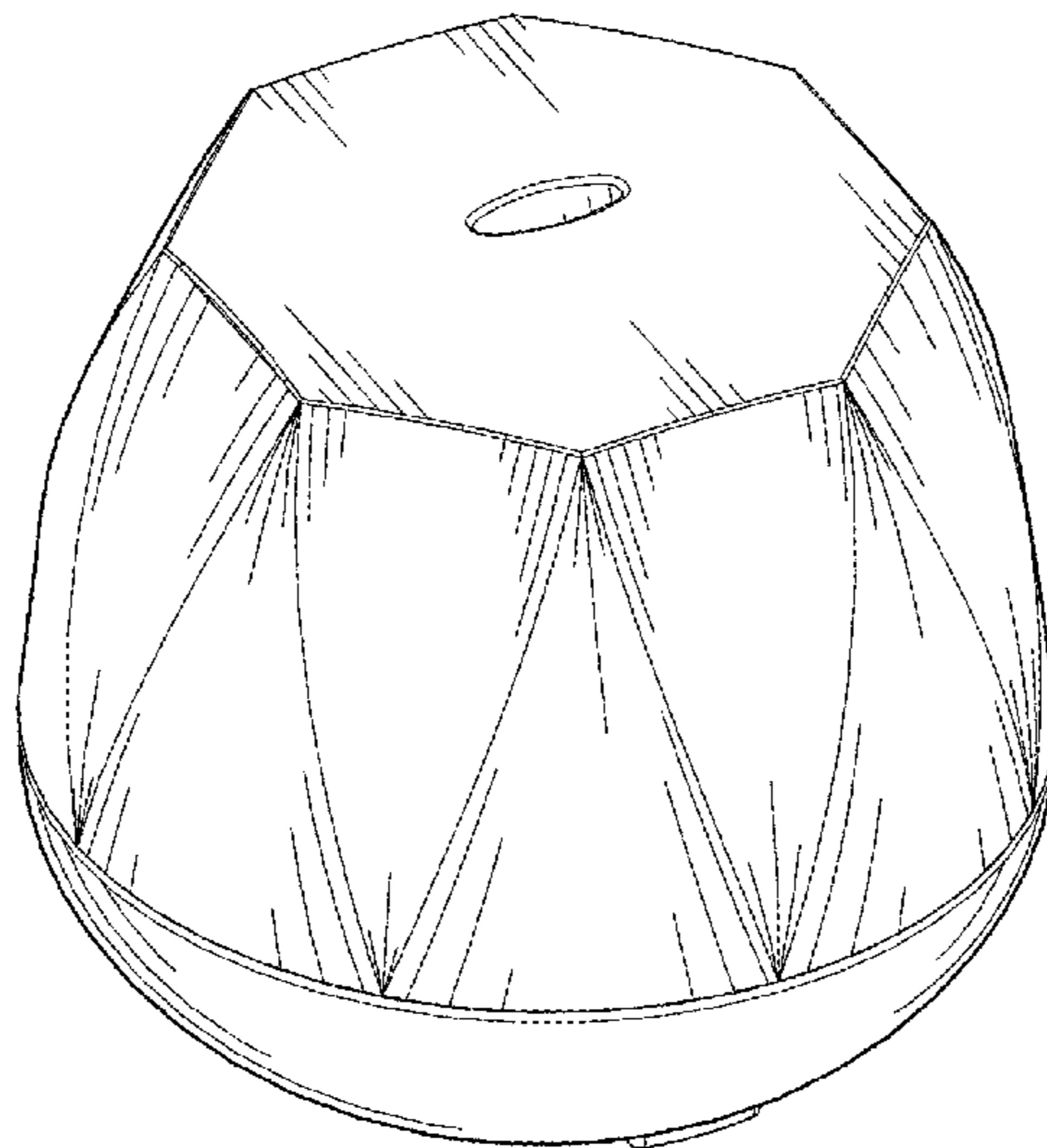
(57) **CLAIM**

The ornamental design for an “essential oil diffuser,” as shown and described.

DESCRIPTION

FIG. 1 is a top, rear and left perspective view of an essential oil diffuser showing my new design; FIG. 2 is a front elevational view thereof; FIG. 3 is a rear elevational view thereof; FIG. 4 is a left side elevational view thereof; FIG. 5 is a right side elevational view thereof; FIG. 6 is a top plan view thereof; FIG. 7 is a bottom plan view thereof; and, FIG. 8 is a bottom, rear, and right perspective view thereof. The broken lines shown represent unclaimed subject matter and form no part of the claimed design.

1 Claim, 8 Drawing Sheets



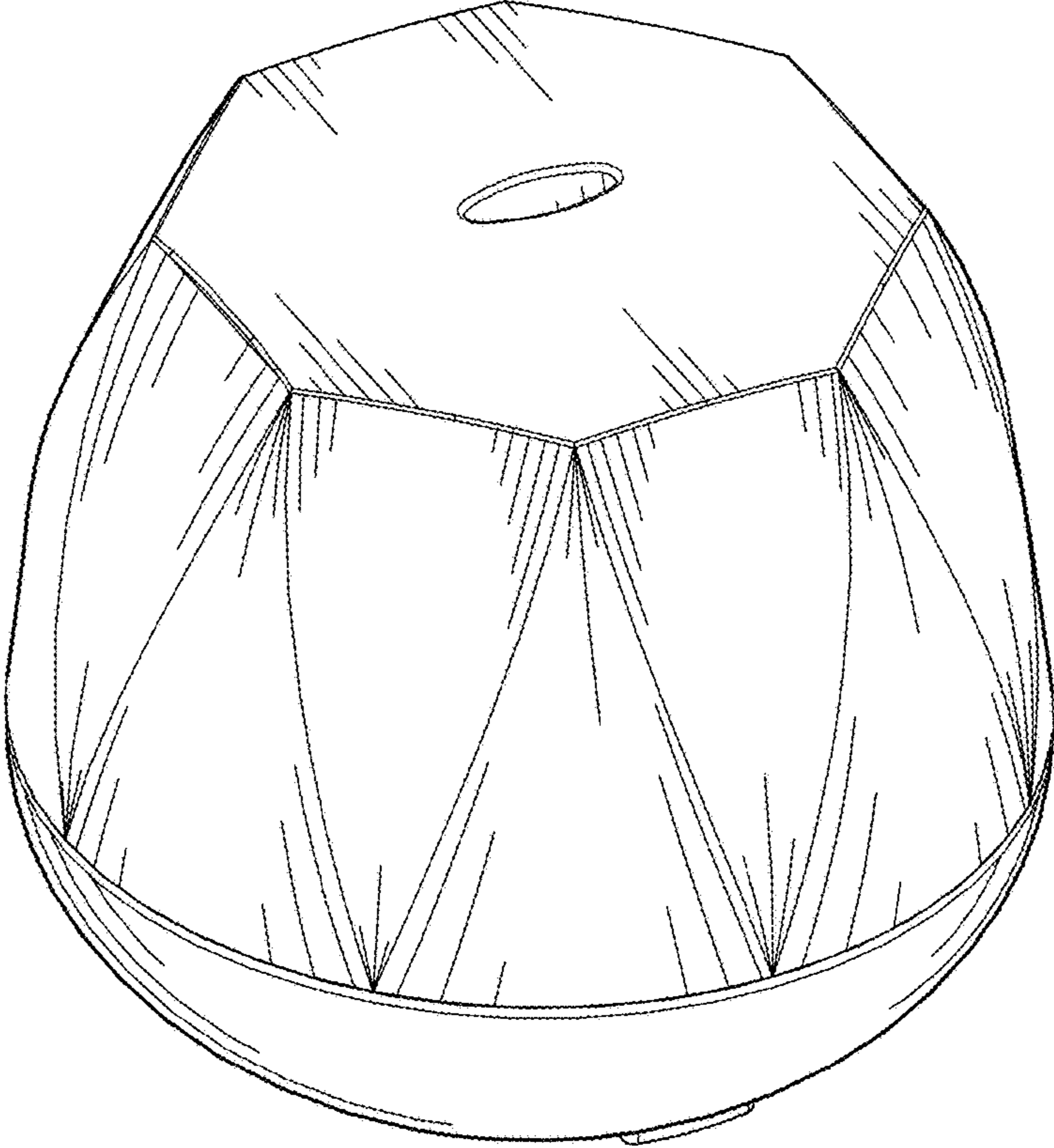


FIG. 1

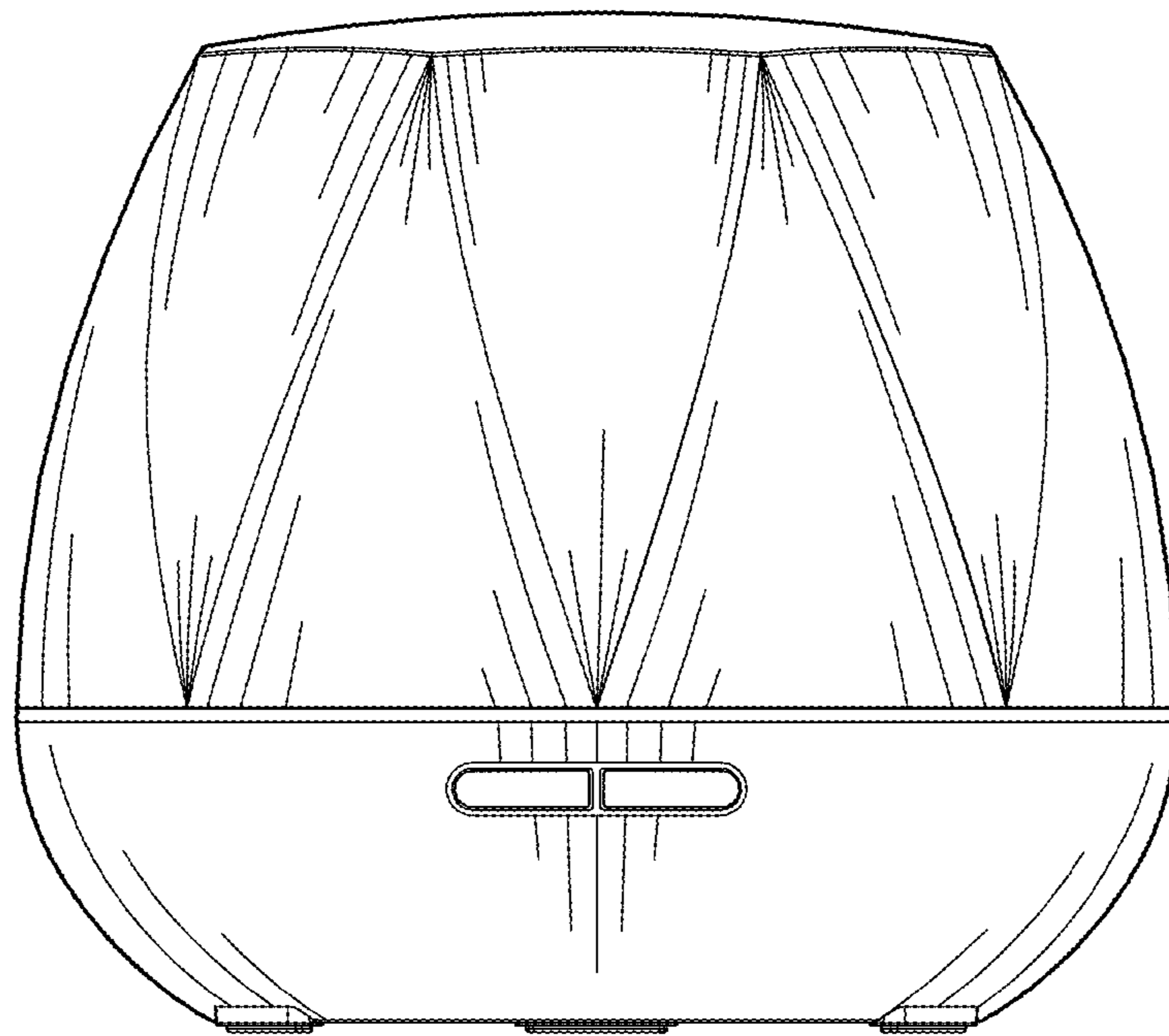


FIG. 2

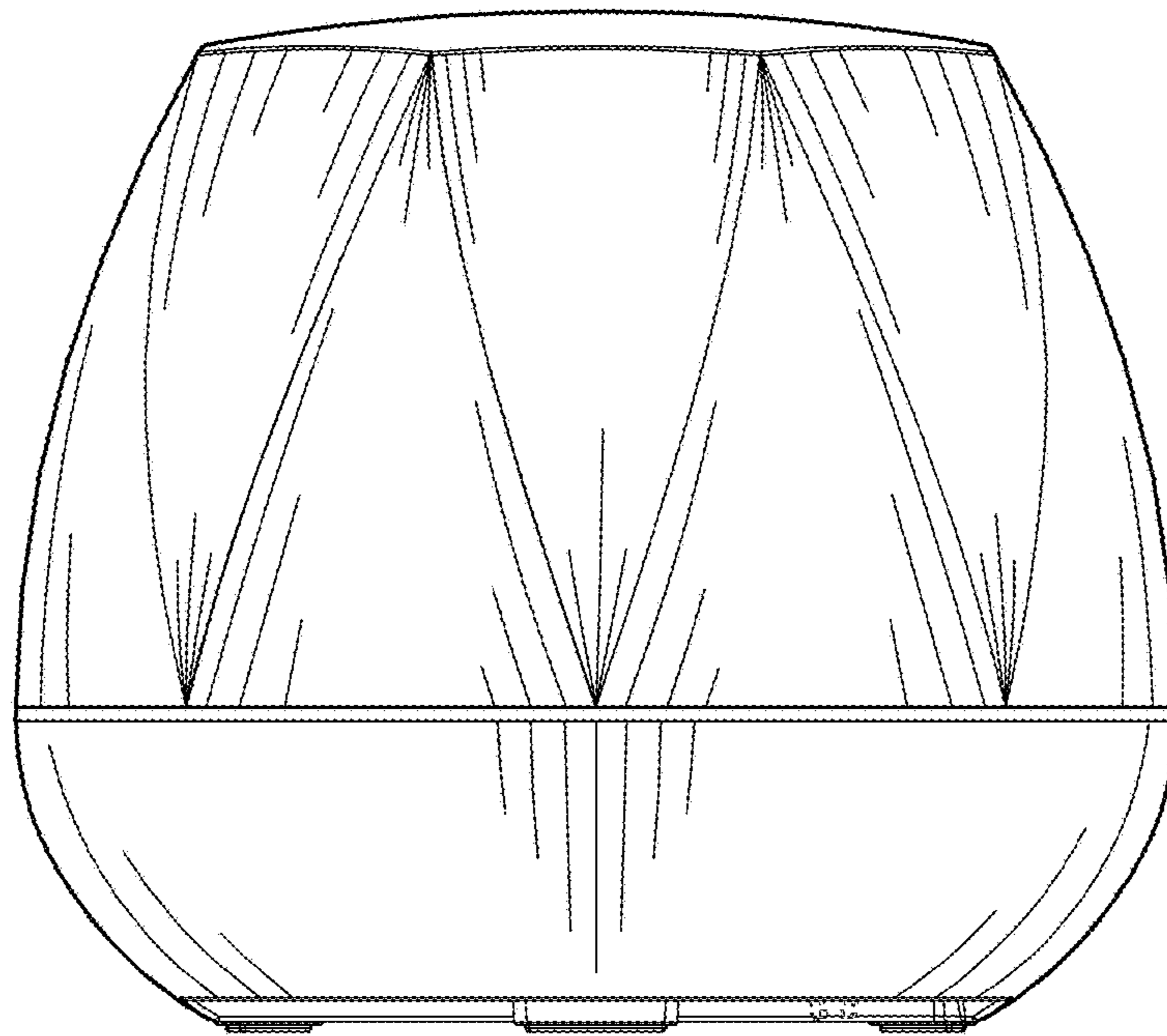


FIG. 3

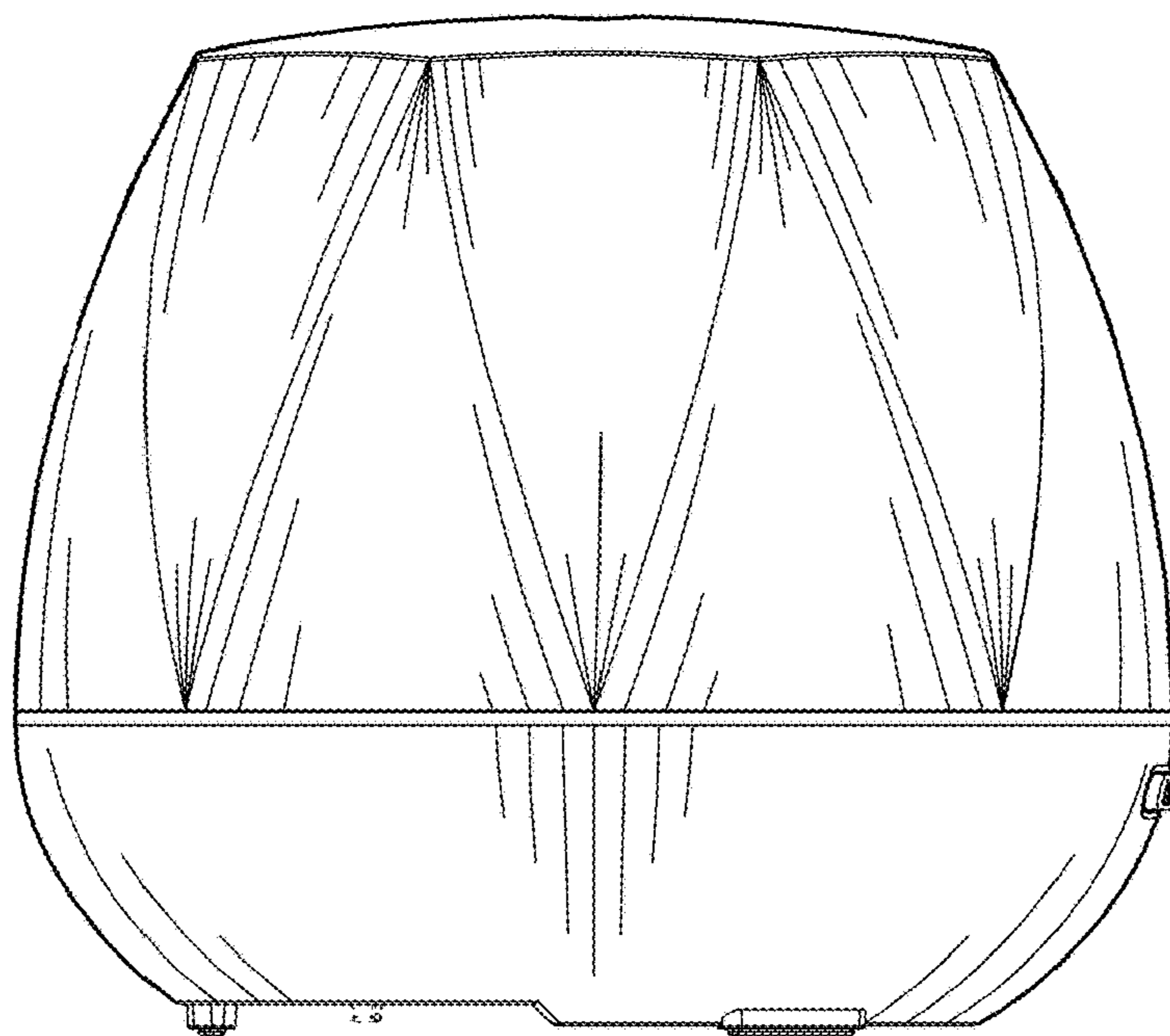


FIG. 4

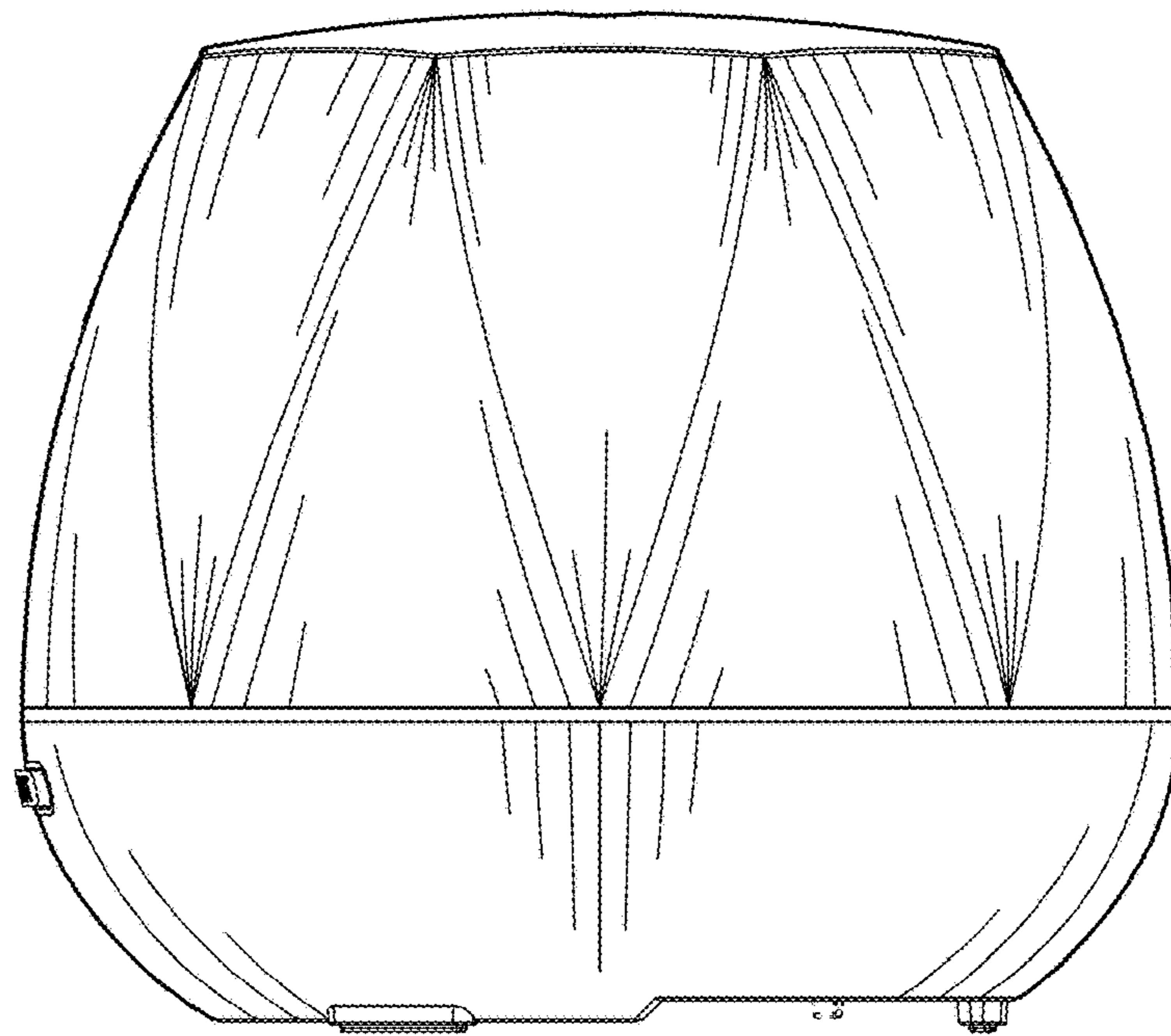


FIG. 5

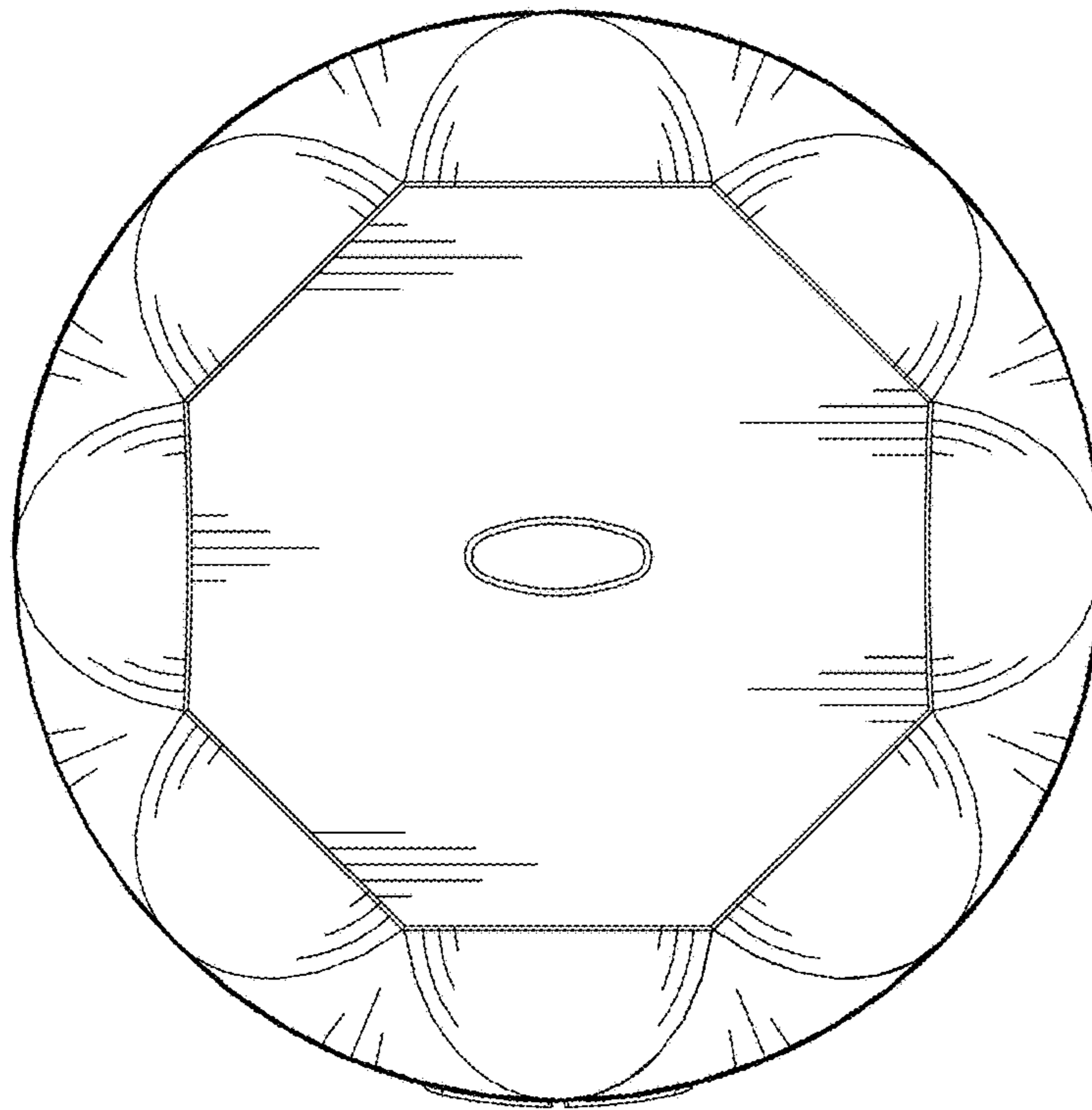


FIG. 6

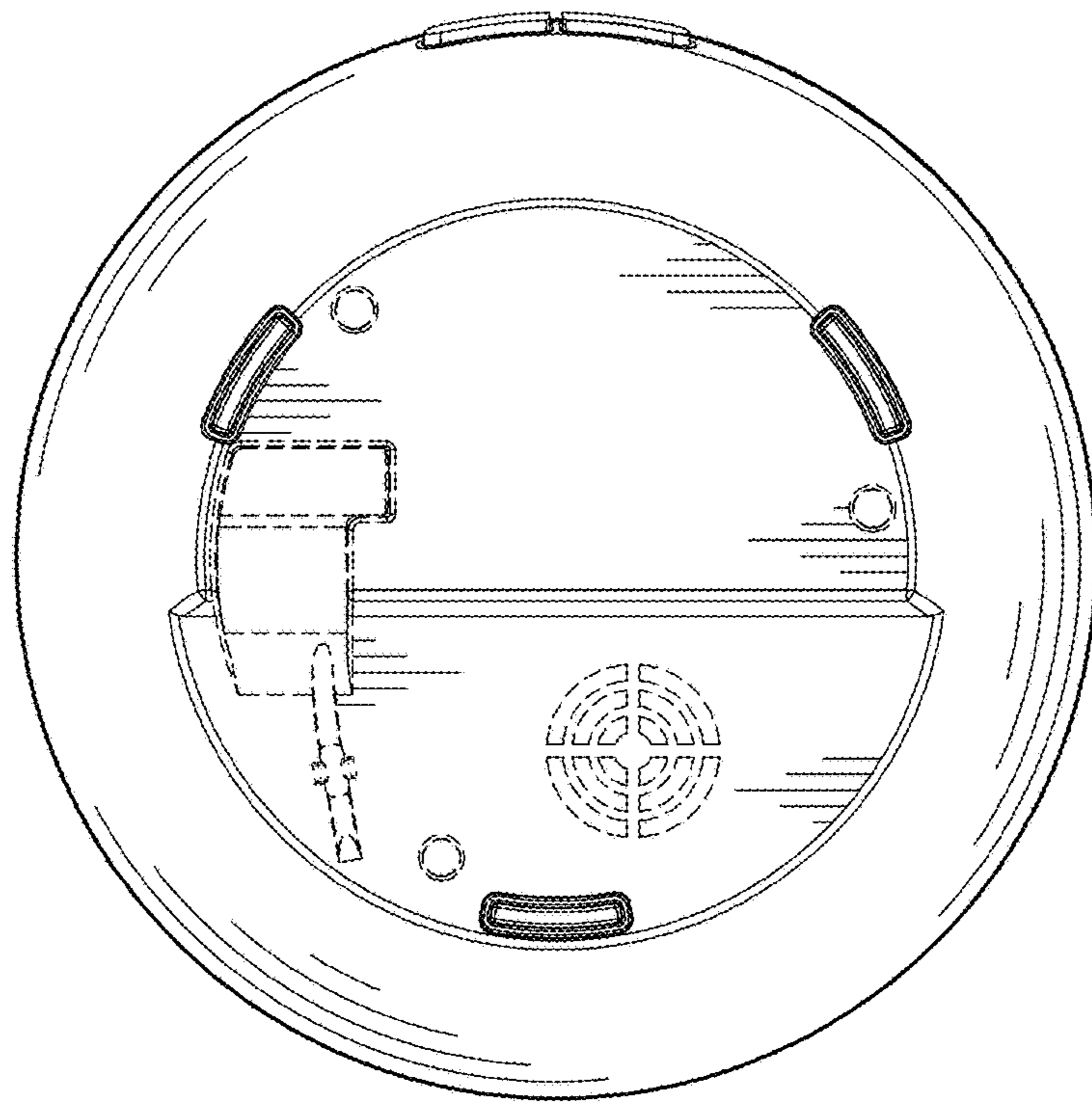


FIG. 7

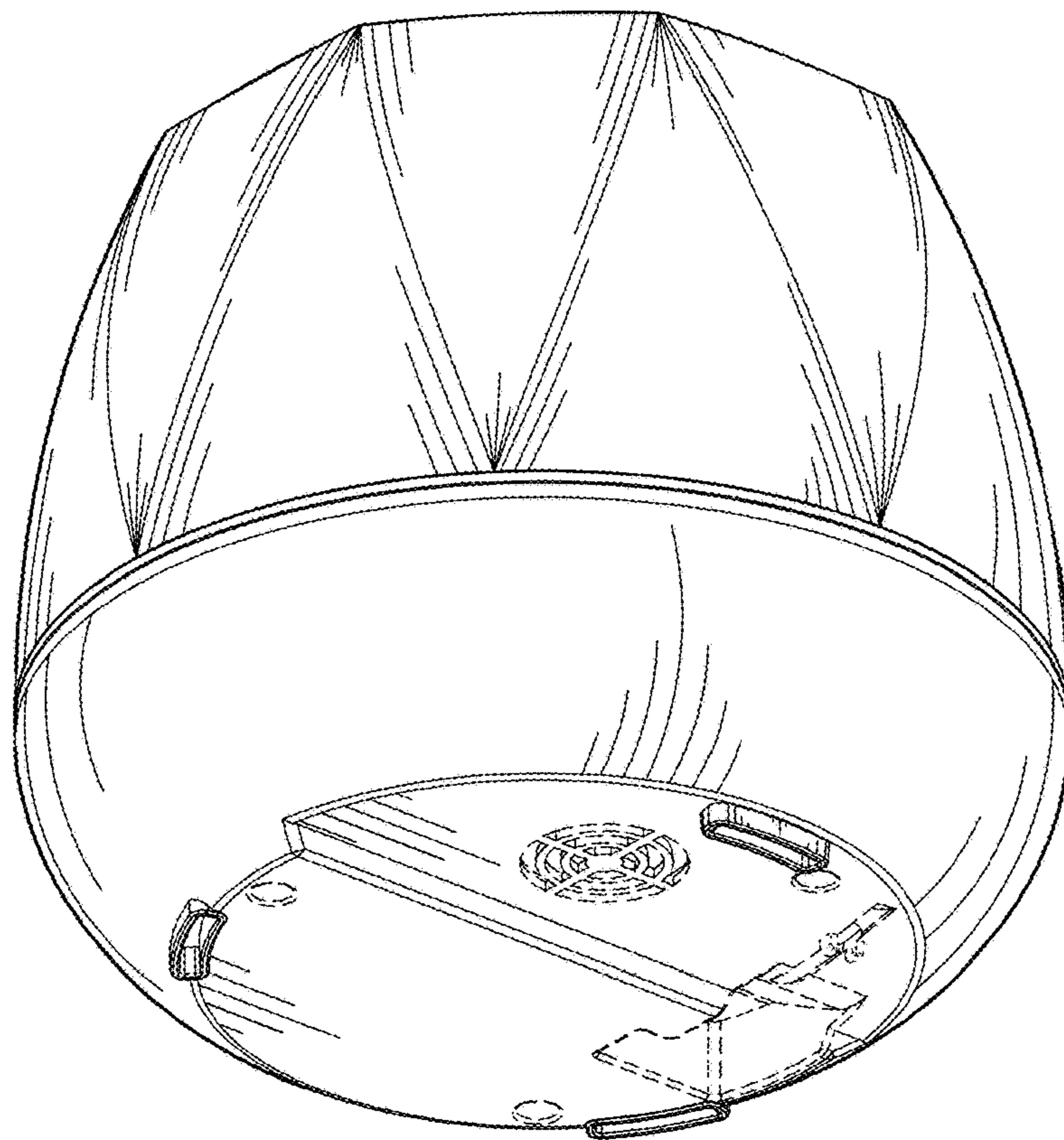


FIG. 8