



US00D847962S

(12) **United States Design Patent** (10) **Patent No.:** **US D847,962 S**  
**Shin et al.** (45) **Date of Patent:** **\*\* May 7, 2019**

(54) **AIR CONDITIONER GRILLE**  
(71) Applicant: **Samsung Electronics Co., Ltd.**,  
Suwon-si (KR)

D446,292 S \* 8/2001 Asakura ..... D23/351  
D461,235 S \* 8/2002 Arlotta ..... D23/393  
D568,014 S \* 4/2008 Fester ..... D32/31  
(Continued)

(72) Inventors: **Young-Sun Shin**, Seoul (KR); **Jin-Sun Park**, Seoul (KR); **Dong-Ju Shin**, Seoul (KR)

FOREIGN PATENT DOCUMENTS

EM 001007652-0001 10/2008  
KR 30-2003-0002948 12/2003  
(Continued)

(73) Assignee: **Samsung Electronics Co., Ltd.**,  
Suwon-si (KR)

*Primary Examiner* — Natasha Vujcic  
(74) *Attorney, Agent, or Firm* — NSIP Law

(\*\*) Term: **15 Years**

(57) **CLAIM**

(21) Appl. No.: **29/616,558**

We claim the ornamental design for an air conditioner grille, as shown and described.

(22) Filed: **Sep. 7, 2017**

**DESCRIPTION**

(30) **Foreign Application Priority Data**

Mar. 10, 2017 (KR) ..... 30-2017-0011335

(51) **LOC (11) Cl.** ..... **23-04**

(52) **U.S. Cl.**  
USPC ..... **D23/351**

(58) **Field of Classification Search**  
USPC ..... D23/333, 335, 341, 342, 351, 353, 354,  
D23/355, 356, 359, 364, 365, 370, 385,  
D23/386, 388, 393  
CPC .... F24F 1/00; F24F 1/0007; F24F 1/02; F24F  
1/08; F24F 1/42; F24F 1/56; F24F 1/60;  
F24F 3/044; F24F 3/048; F24F 3/16;  
F24F 7/00; F24F 7/04; F24F 12/001;  
F24F 12/006

See application file for complete search history.

FIG. 1 is a front perspective view of an air conditioner grille showing our new design;  
FIG. 2 is a front elevational view thereof;  
FIG. 3 is a rear elevational view thereof;  
FIG. 4 is a left-side elevational view thereof;  
FIG. 5 is a right-side elevational view thereof;  
FIG. 6 is a top plan view thereof;  
FIG. 7 is a bottom plan view thereof;  
FIG. 8 is a rear perspective view thereof;  
FIG. 9 is a cross-sectional view taken through line 9-9 of FIG. 2;  
FIG. 10 is an enlarged view of the encircled portion in FIG. 4;  
FIG. 11 is an enlarged view of the encircled portion in FIG. 5; and,  
FIG. 12 is an enlarged view of the encircled portion is FIG. 9.

The evenly dashed broken lines in the figures depict environmental subject matter and form no part of the claimed design.

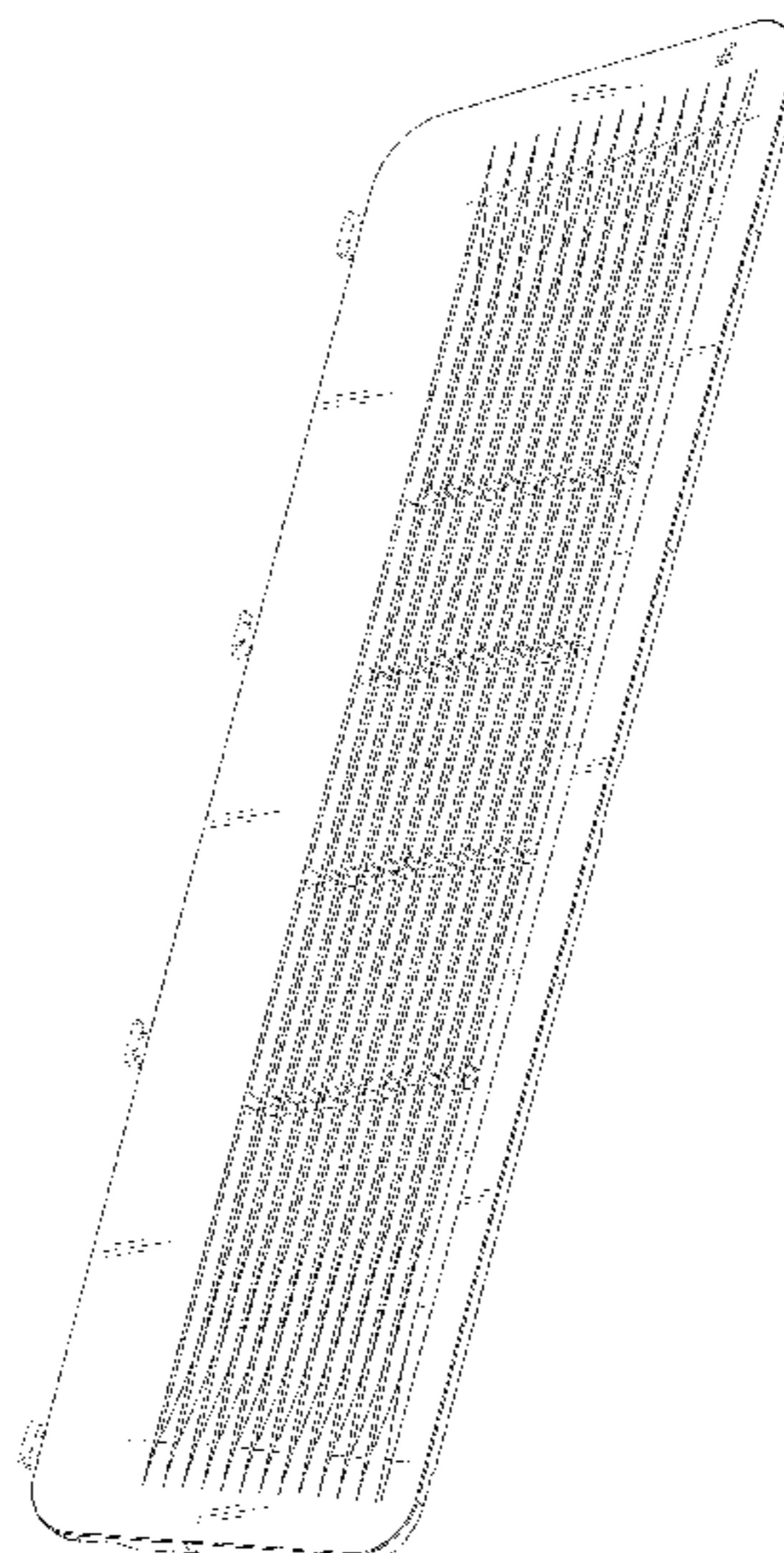
The dot-dash broken lines encircling portions of the claimed design that are illustrated in enlargements form no part of the claimed design.

(56) **References Cited**

U.S. PATENT DOCUMENTS

D290,746 S \* 7/1987 Whitley, II ..... D12/317  
D351,903 S \* 10/1994 Whitley, II ..... D12/317  
D357,732 S \* 4/1995 Spechts ..... D23/388

**1 Claim, 12 Drawing Sheets**



(56)

**References Cited**

U.S. PATENT DOCUMENTS

D580,536 S	*	11/2008	Oh .....	D23/351
D696,165 S	*	12/2013	Campbell .....	D12/163
D772,387 S	*	11/2016	Choi .....	D23/354
D783,136 S	*	4/2017	Park .....	D23/351
D784,512 S	*	4/2017	Jonas .....	D23/388
D787,656 S	*	5/2017	Yoo .....	D23/351
D793,542 S	*	8/2017	Zhou .....	D23/354
D804,005 S	*	11/2017	Spear .....	D23/365
D809,640 S	*	2/2018	Lee .....	D23/354
D814,617 S	*	4/2018	Shin .....	D23/351

FOREIGN PATENT DOCUMENTS

KR	30-2006-0051770	7/2007
KR	30-2012-0039578	12/2012
KR	30-2015-0011097	11/2015

\* cited by examiner

FIG. 1

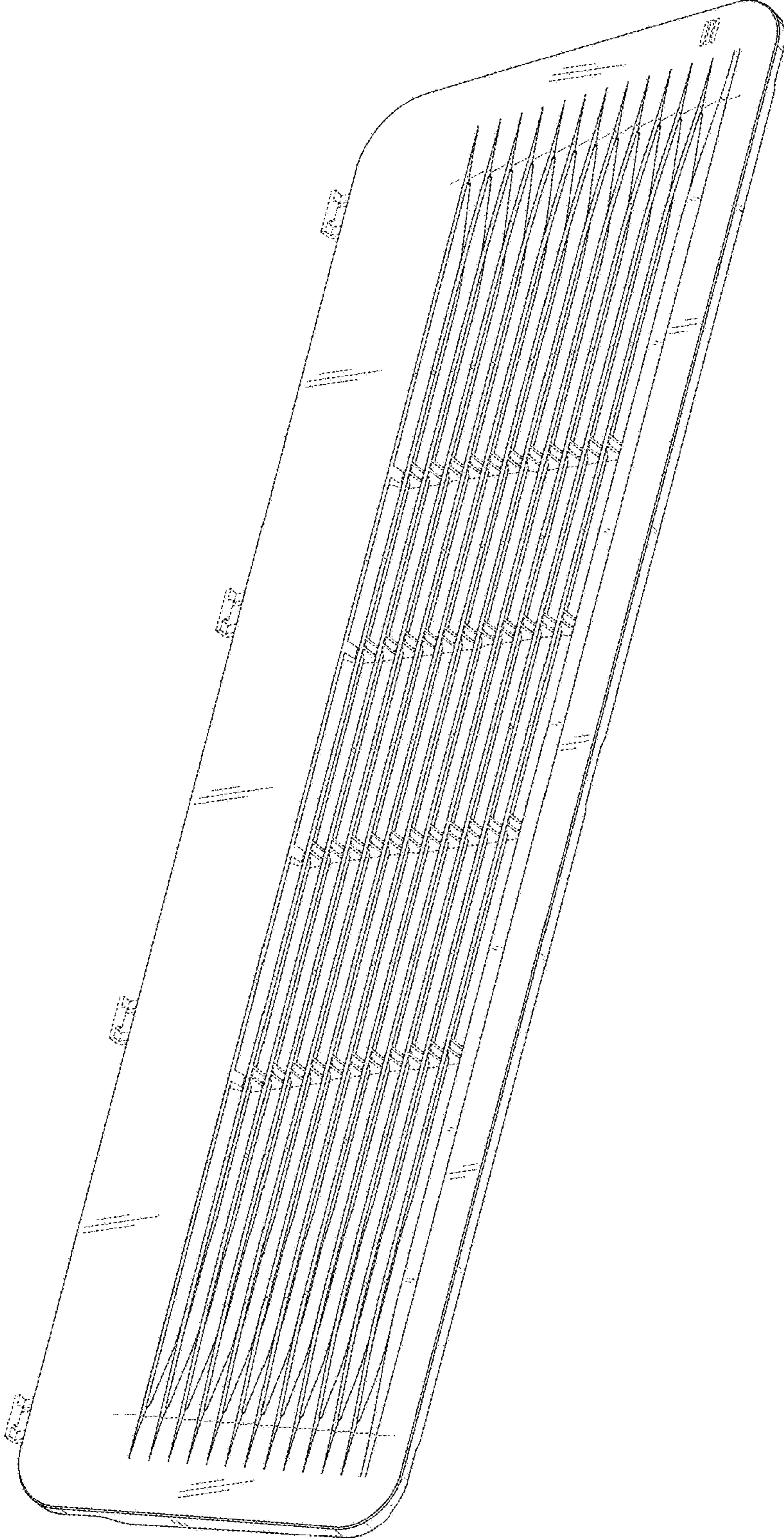


FIG. 2

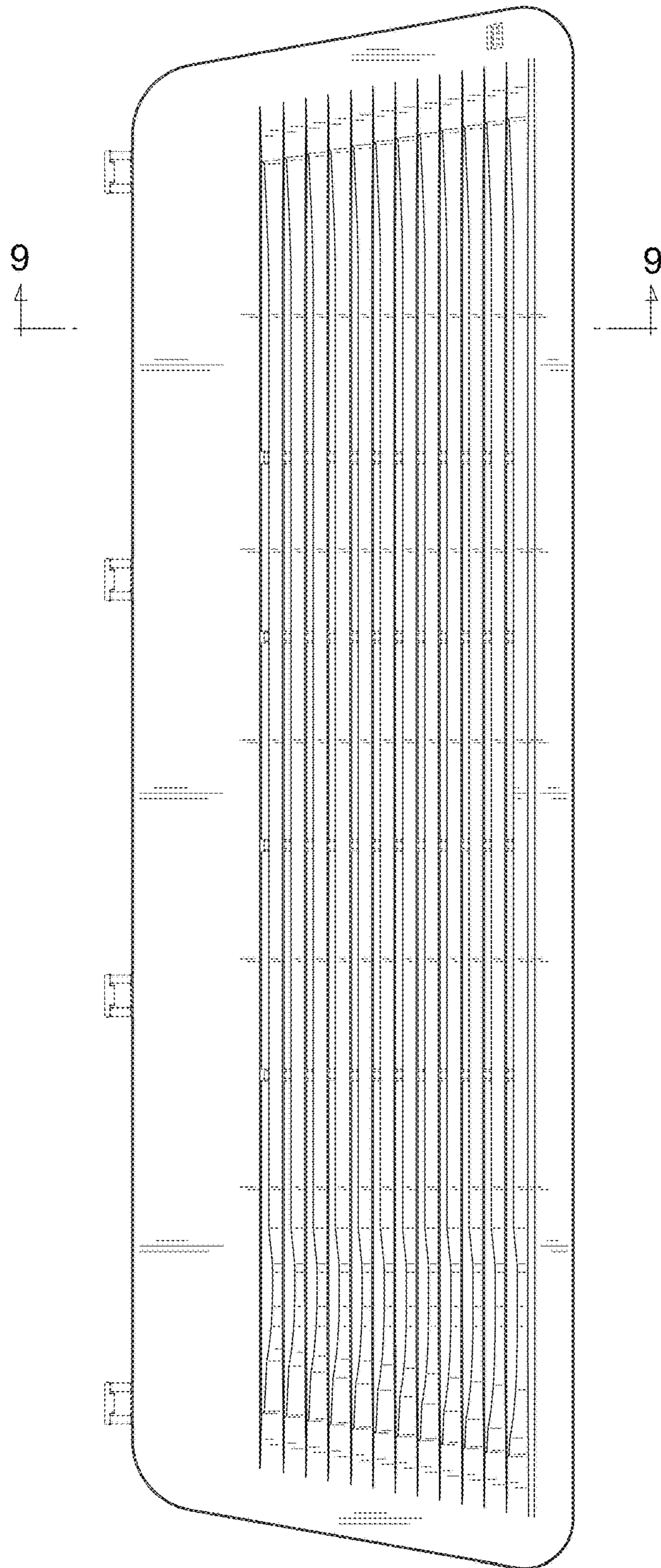


FIG. 3

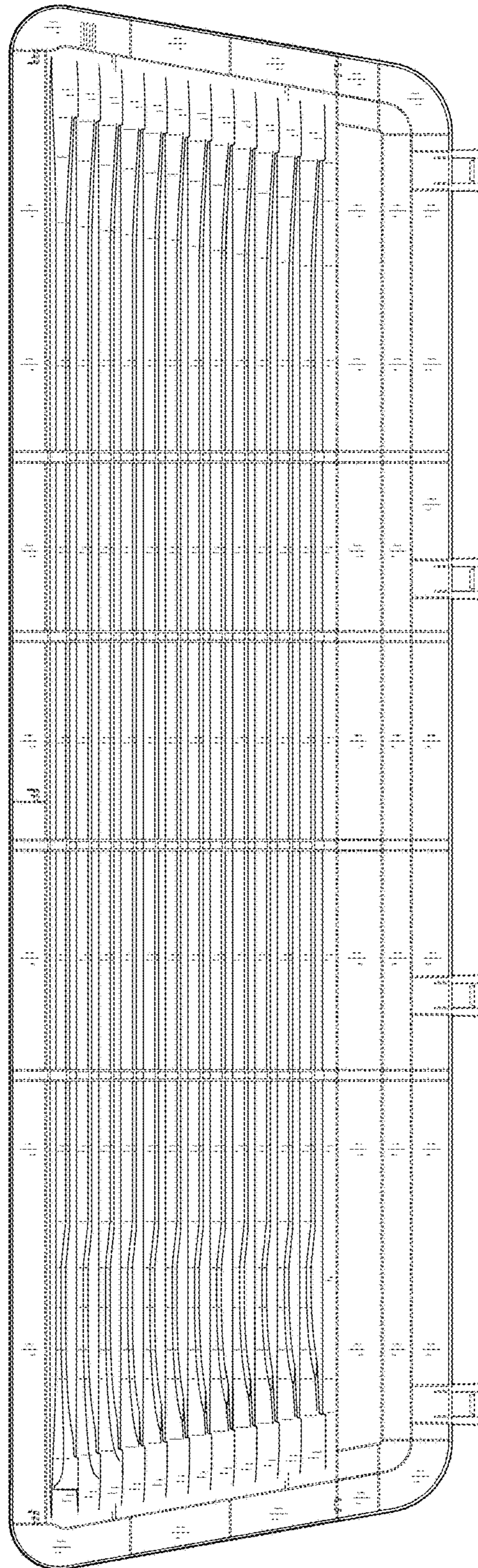


FIG. 4

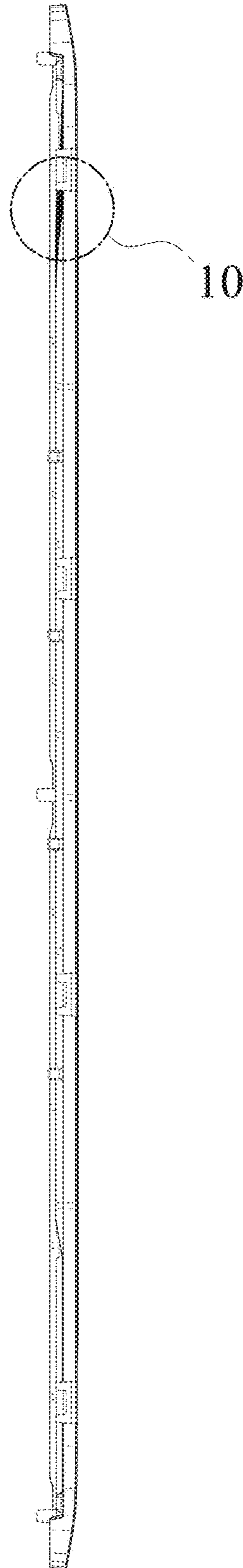


FIG. 5

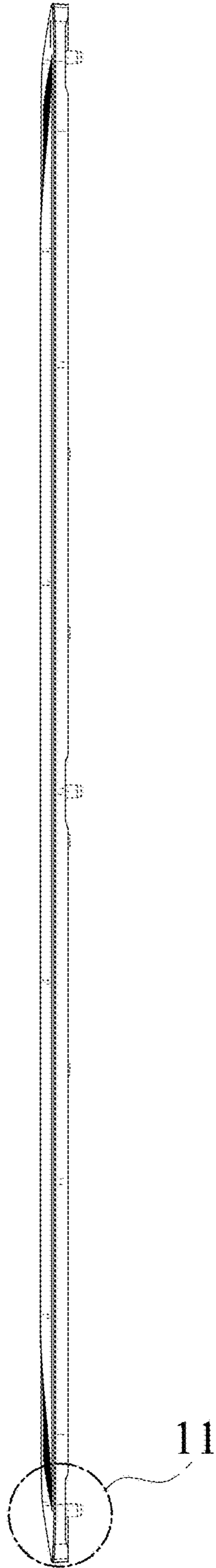


FIG. 6

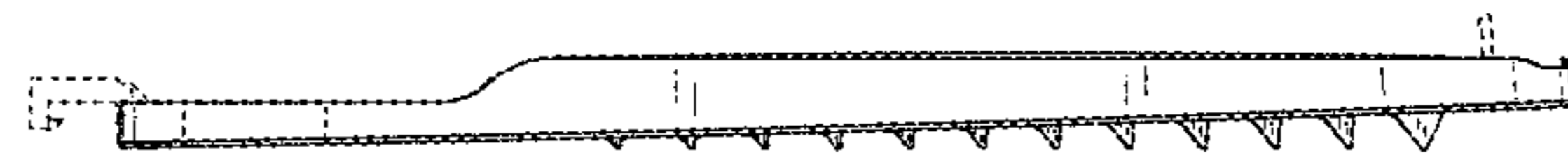




FIG. 7

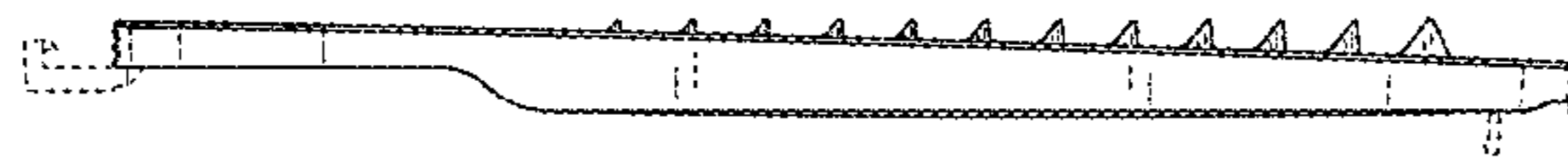


FIG. 8

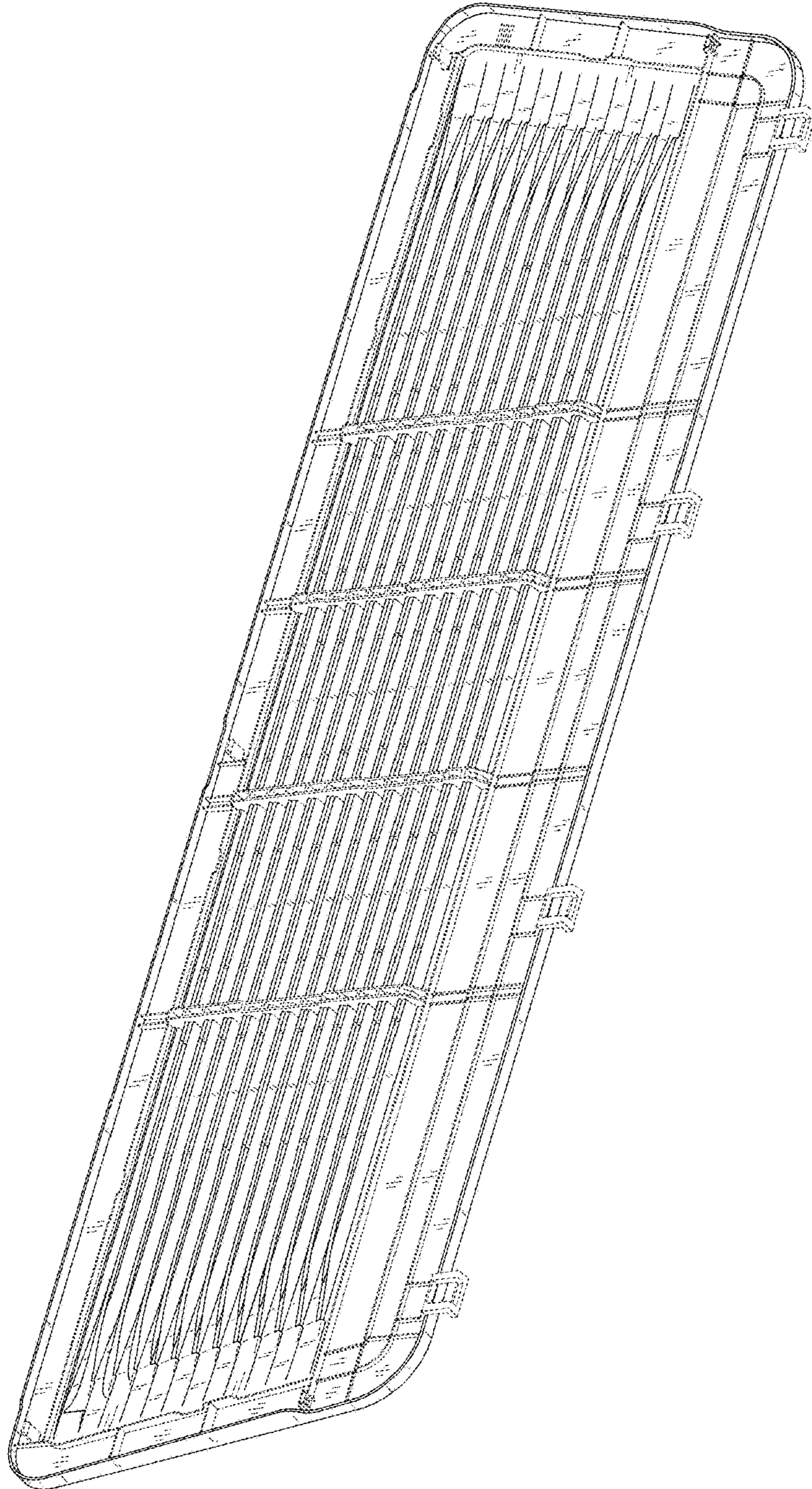


FIG. 9

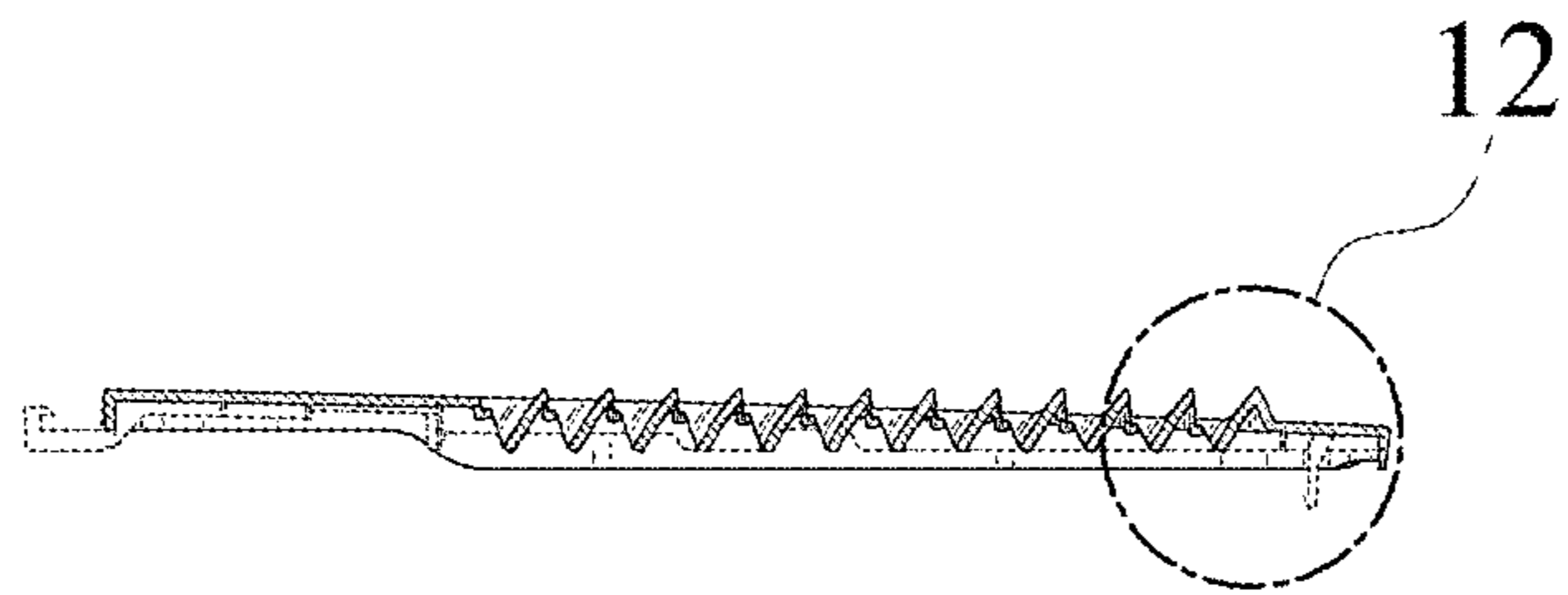


FIG. 10

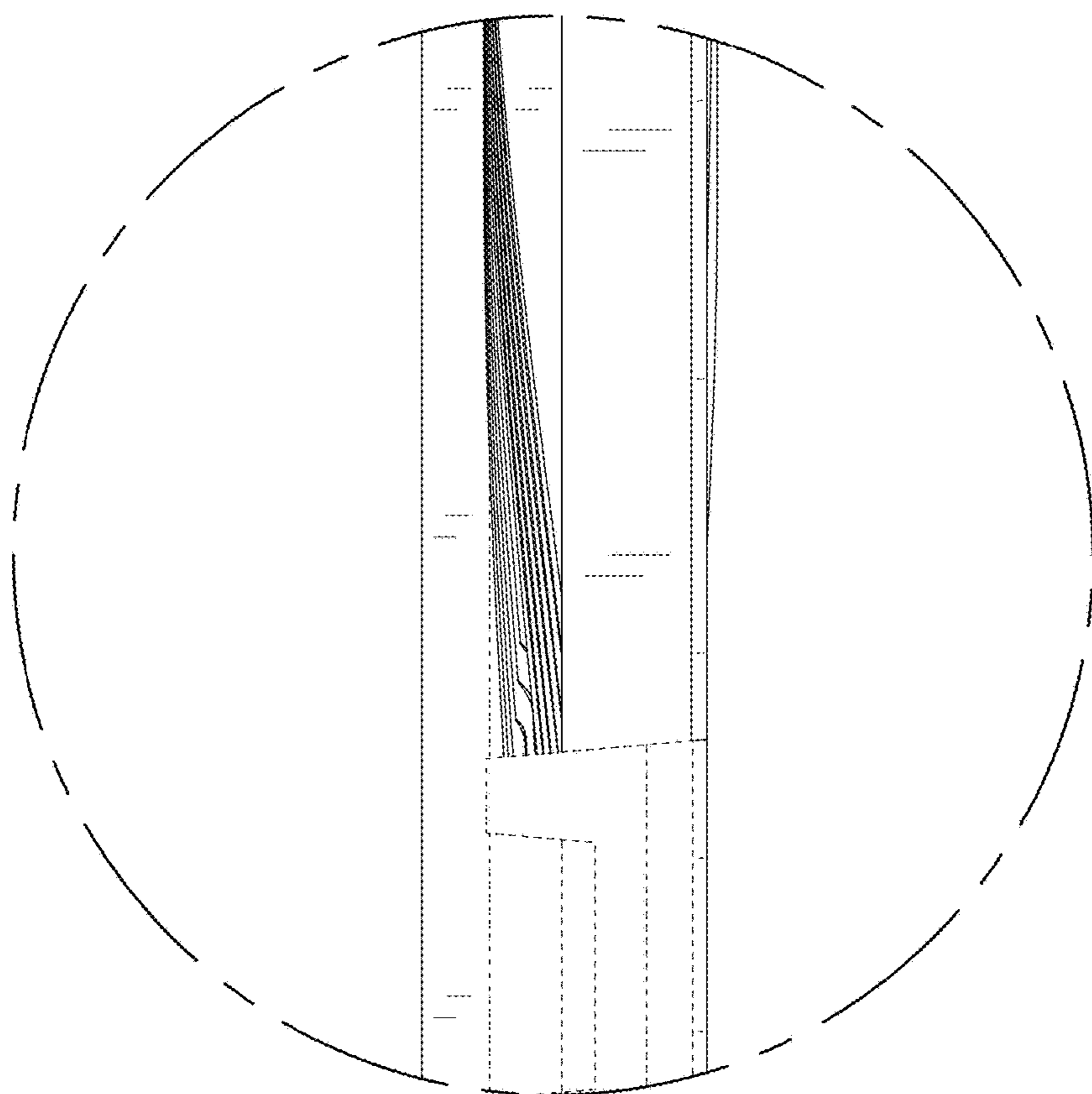


FIG. 11

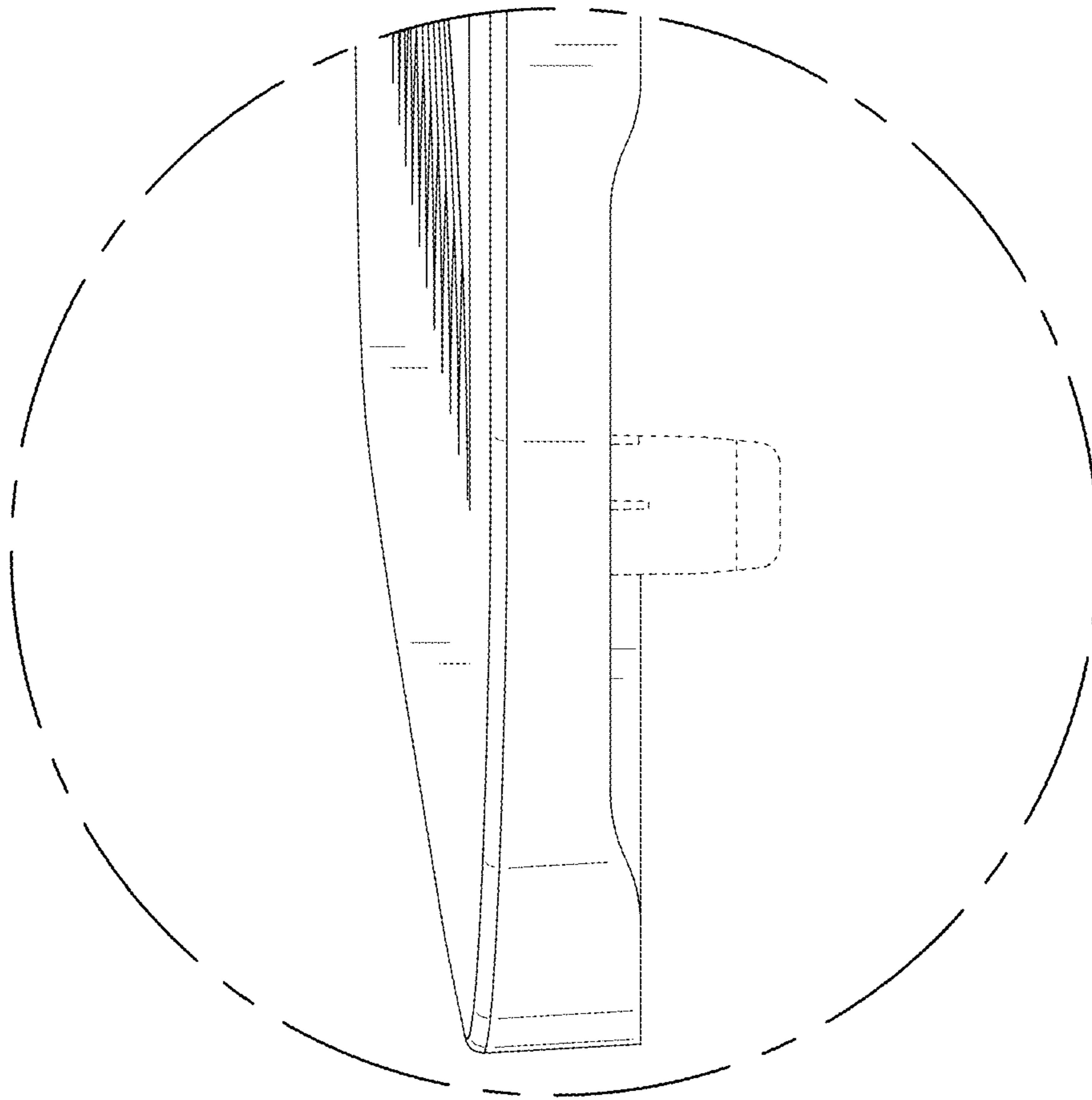


FIG. 12

